

[54] BEDSTEAD

[76] Inventor: John Foster, 78 Pleasant St.,  
Hopkinton, Mass. 01748

[\*\*] Term: 14 Years

[21] Appl. No.: 769,149

[22] Filed: Aug. 26, 1985

[52] U.S. Cl. .... D6/395

[58] Field of Search ..... D6/388, 394, 395, 507

[56] References Cited

U.S. PATENT DOCUMENTS

D. 41,570	7/1911	Moore	.....	D6/395
D. 49,665	9/1916	Kimball	.....	D6/388
D. 62,807	7/1923	Stuart	.....	D6/395
D. 93,438	10/1934	Geddes et al.	.....	D6/507

OTHER PUBLICATIONS

Lehman Line Furn. Co. ©1930, p. 19, Doll Bed item 212.

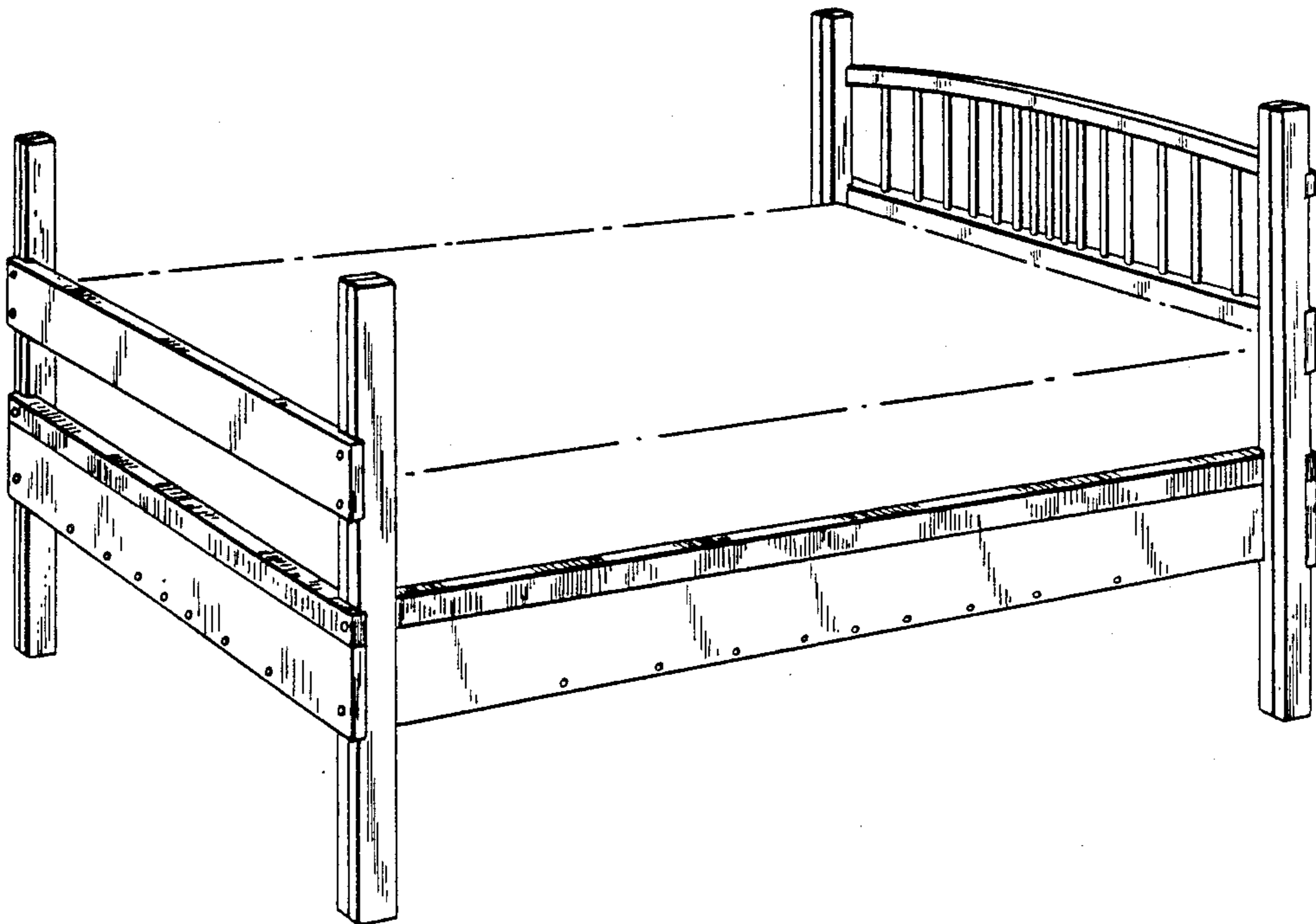
Primary Examiner—Bruce W. Dunkins  
Attorney, Agent, or Firm—Robert L. Goldberg

[57] CLAIM

The ornamental design for a bedstead, as shown and described.

DESCRIPTION

FIG. 1 is a front perspective view of a new bedstead showing my design; and  
FIG. 2 is a rear perspective view thereof.  
The mattress illustrated by means of dot-dash lines has been shown for illustrative purposes only.



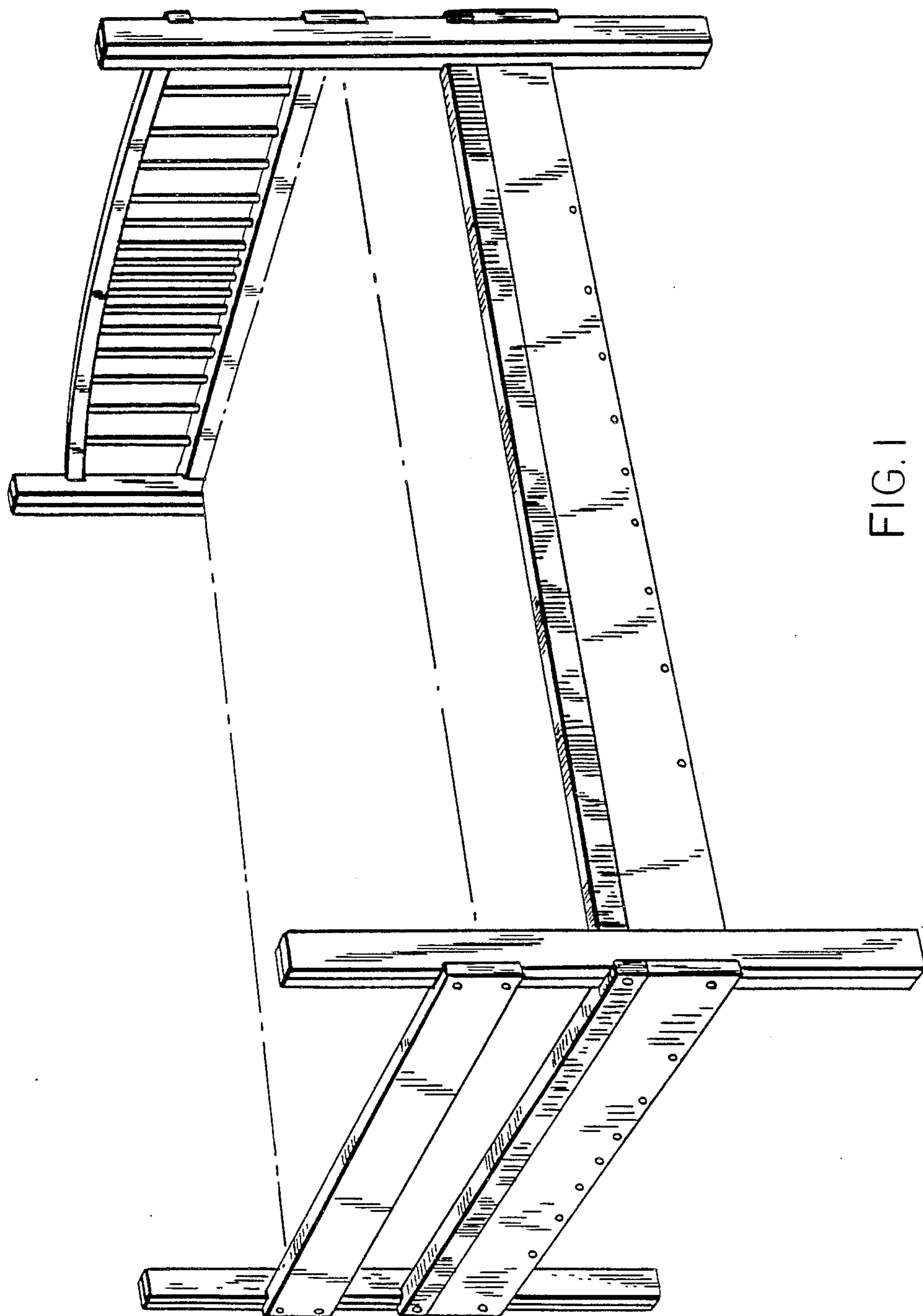


FIG. 1

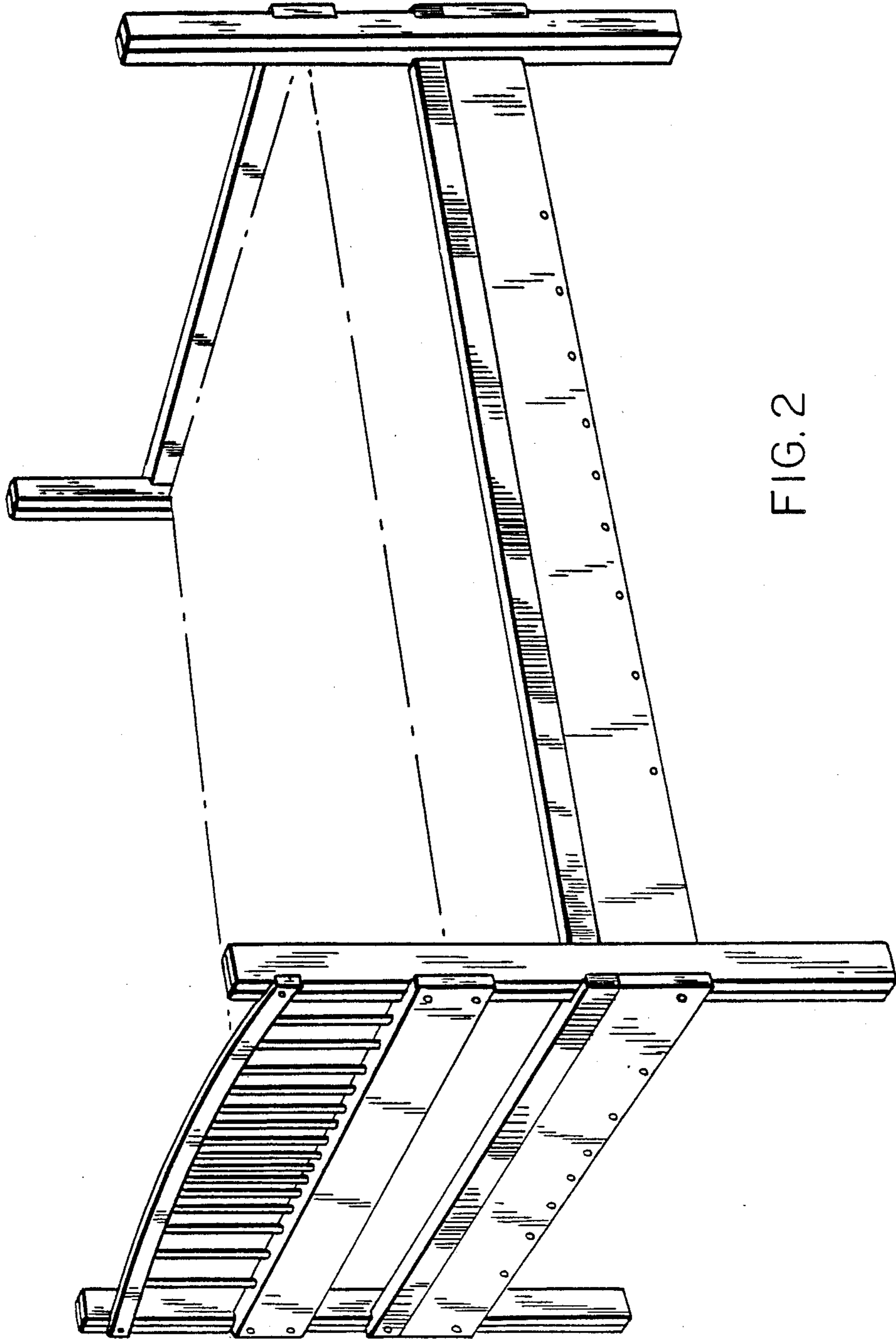


FIG. 2