

United States Patent [19]

Mensing

[11] Patent Number: Des. 295,116

[45] Date of Patent: ** Apr. 12, 1988

[54] TRAVEL TOTE FOR DOLLS

[76] Inventor: Irene Mensing, R.R. 1, Box 84, Blue Earth, Minn. 56013

[**] Term: 14 Years

[21] Appl. No.: 654,543

[22] Filed: Sep. 26, 1984

[52] U.S. Cl. D3/71; D3/74

[58] Field of Search D3/30.1, 39, 42, 53, D3/71, 74-76, 66; 190/100-105, DIG. 3

[56] References Cited

U.S. PATENT DOCUMENTS

D. 100,236 6/1936 Wege D3/71

D. 272,546 2/1984 Holson D3/66
2,272,551 2/1942 Feldmann D3/71
3,489,194 1/1970 Hoover D3/71

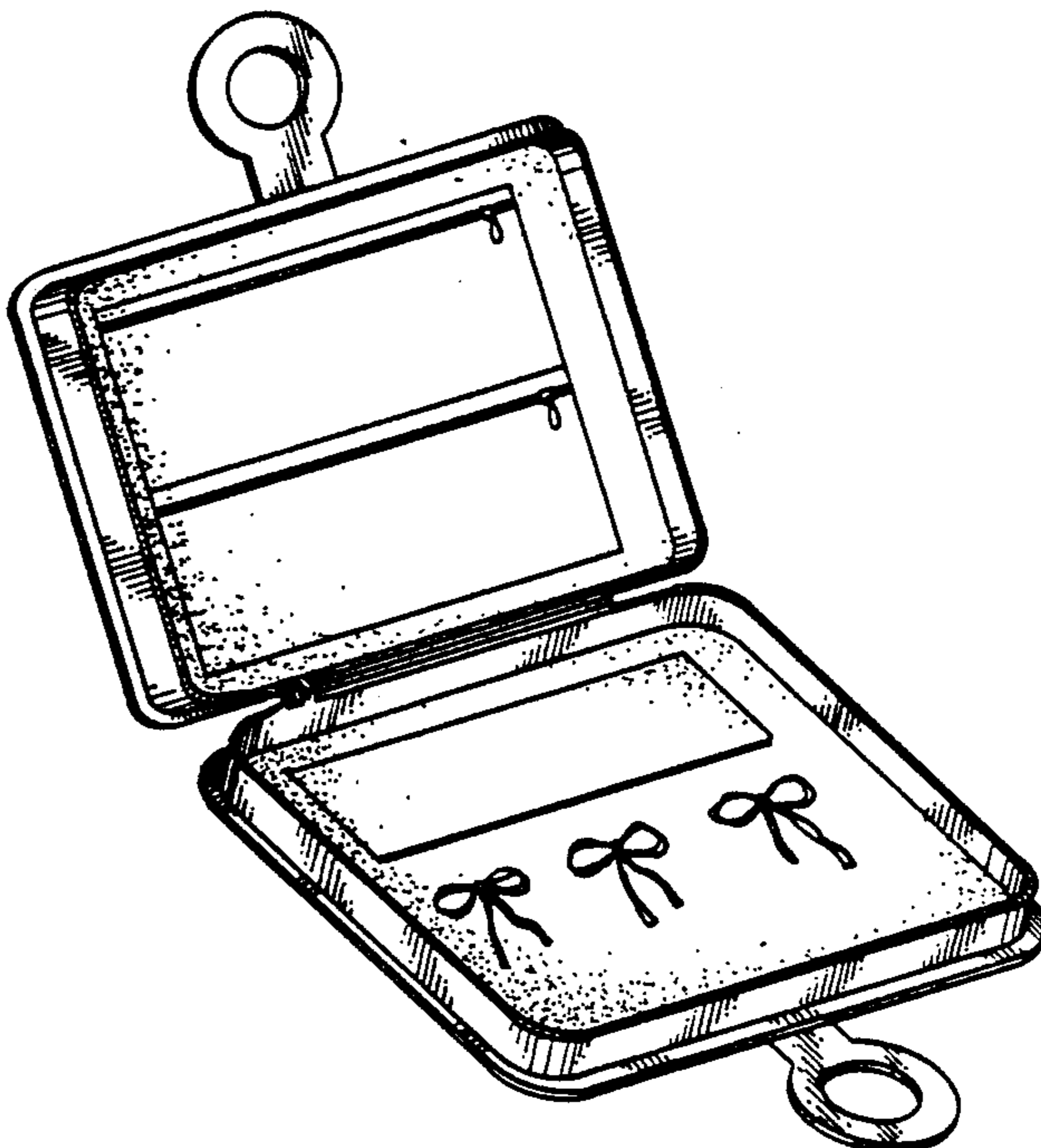
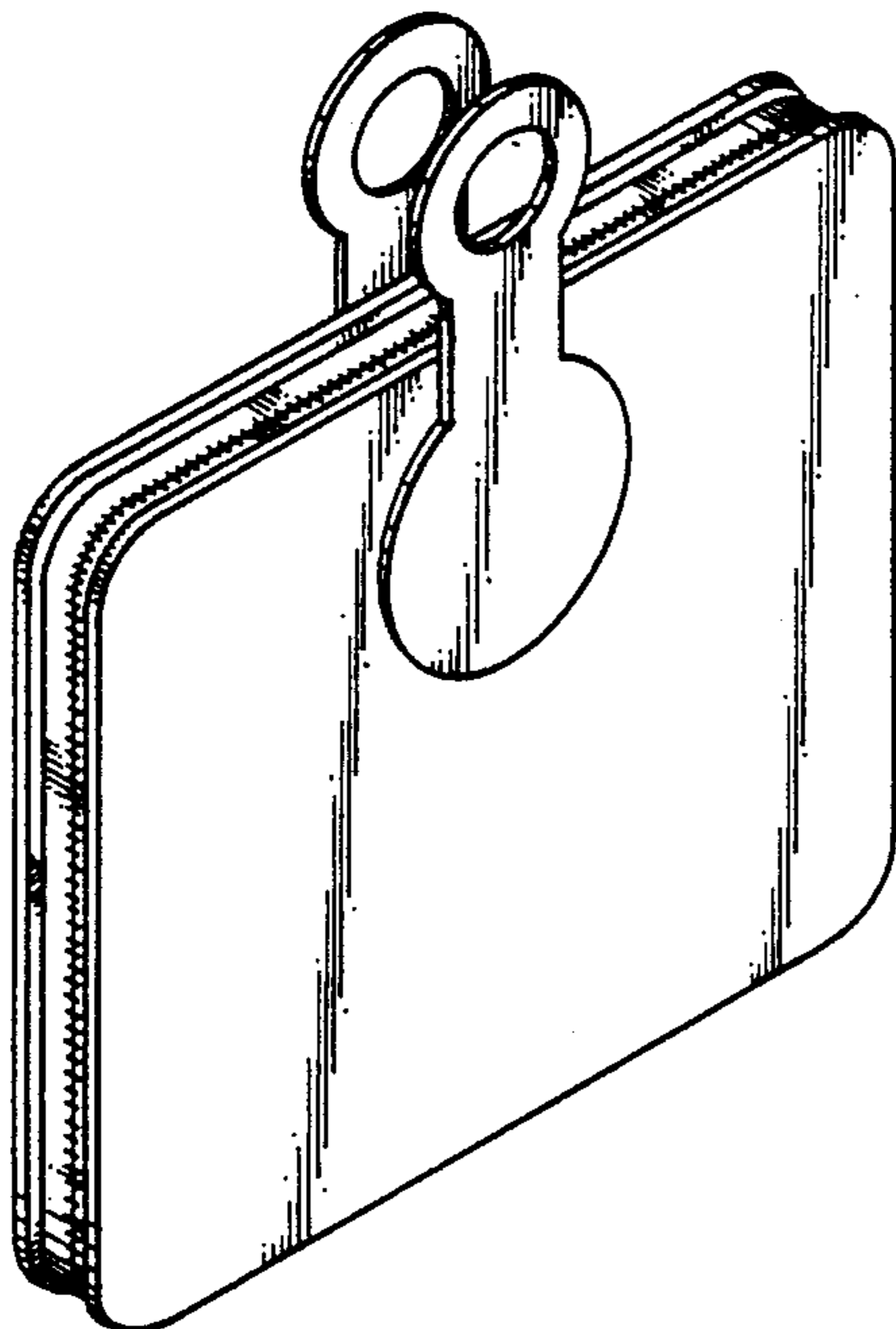
Primary Examiner—George P. Word
Attorney, Agent, or Firm—Don E. Ferrell

[57] CLAIM

The ornamental design for a travel tote for dolls, as shown and described.

DESCRIPTION

FIG. 1 is a perspective view of a travel tote for dolls showing my new design;
FIG. 2 is a top plan view thereof;
FIG. 3 is a bottom plan view thereof; and
FIG. 4 is a perspective view thereof in an opened condition.



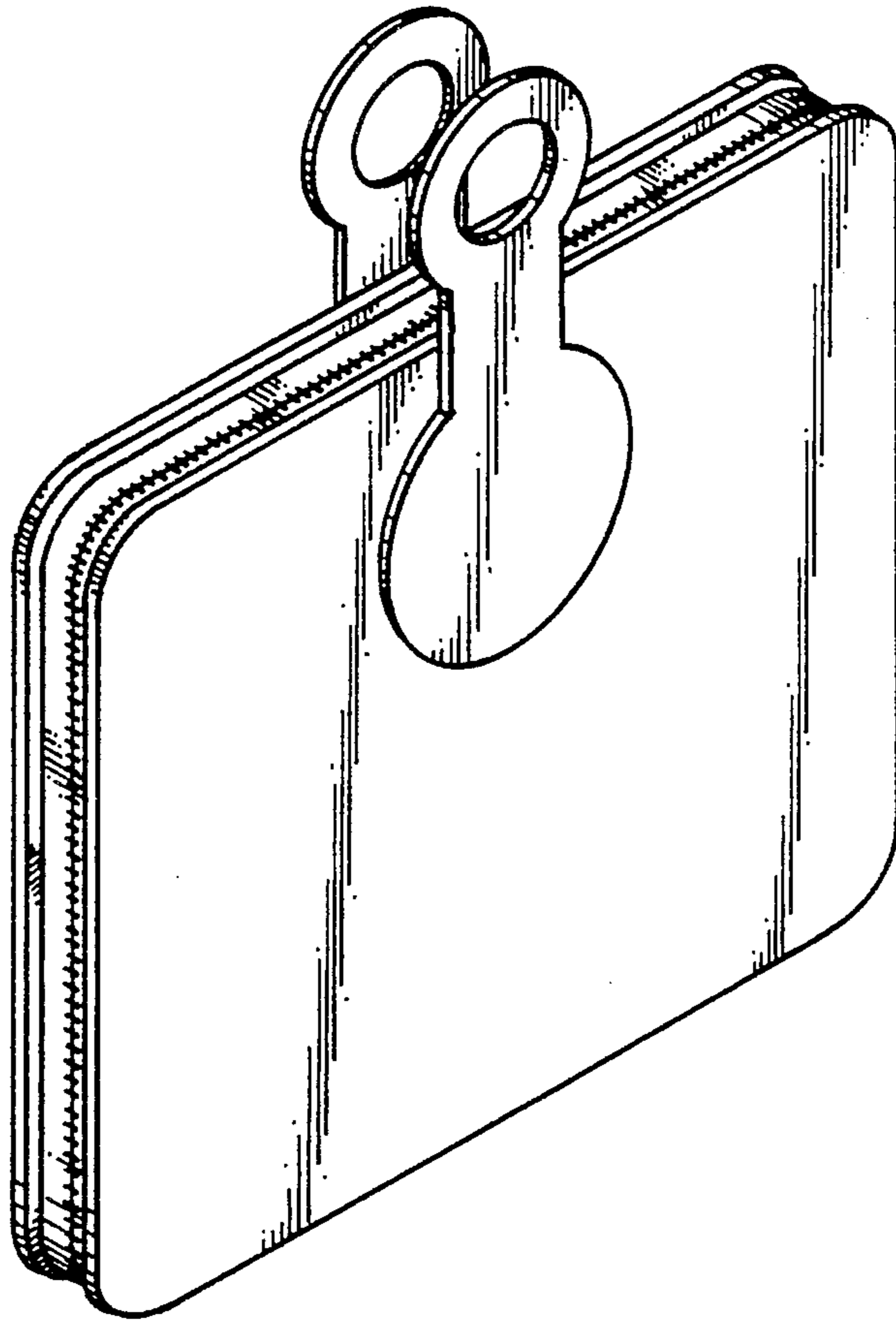


Fig. 1

Fig. 2

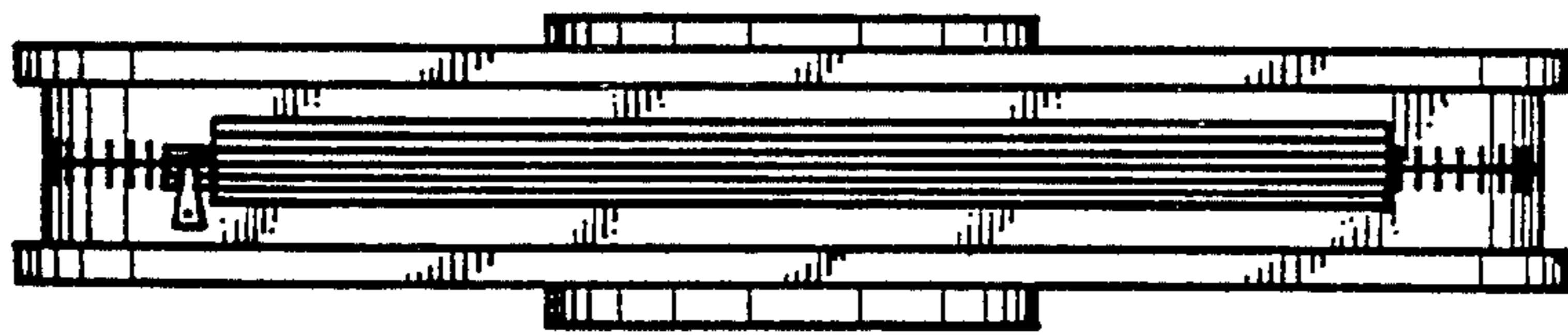
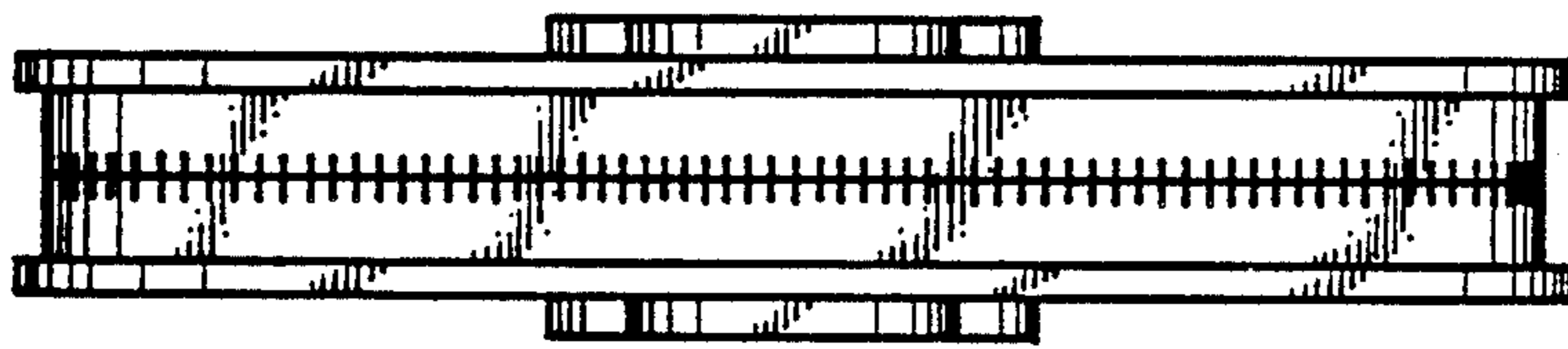


Fig. 3

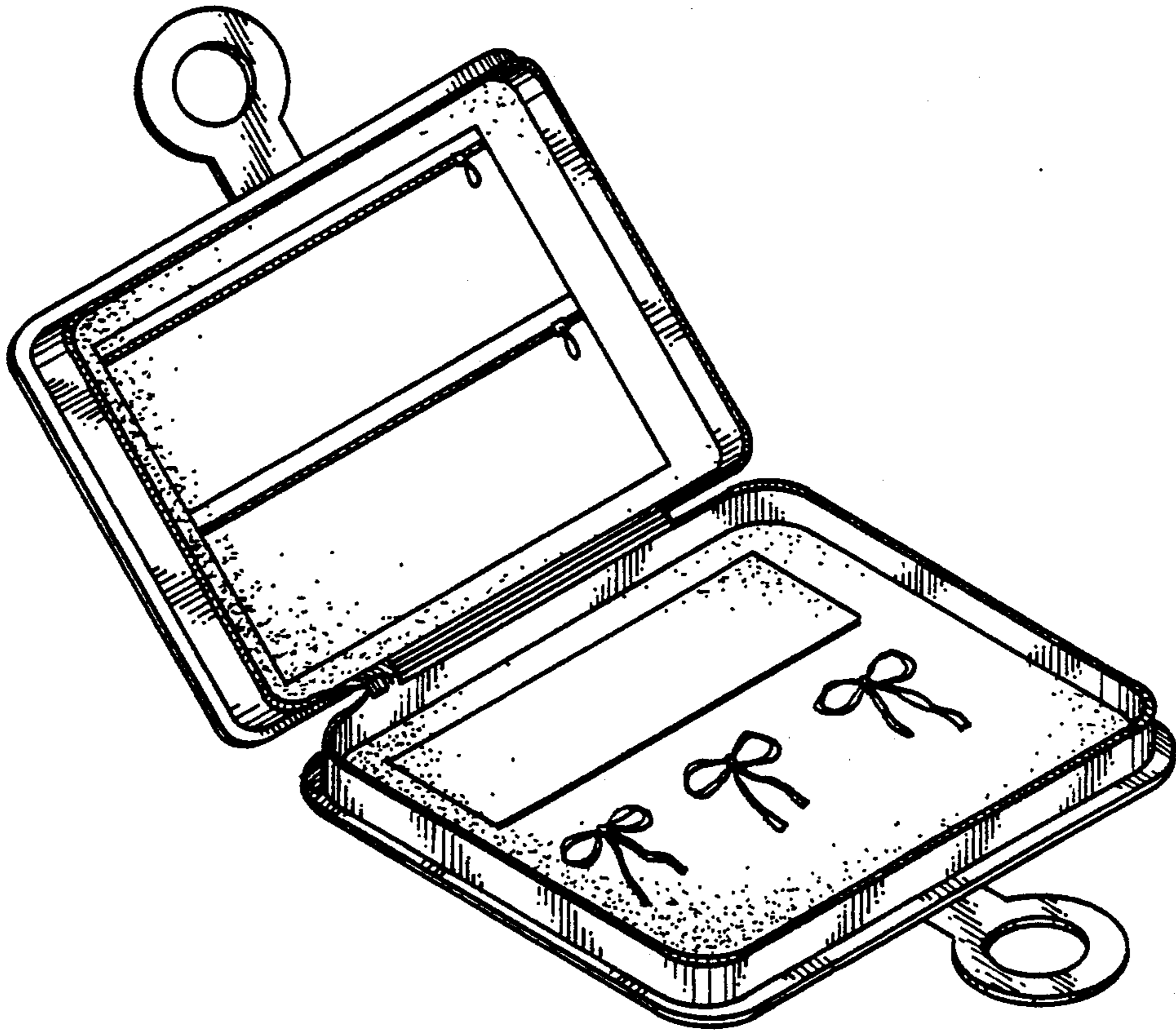


Fig 4