

[54] LOCKER CADDY WITH VARIABLE POSITION HANDLE

D. 200,020 1/1965 Reiss D34/44
D. 246,633 12/1977 Torokuel D34/44
3,113,817 12/1963 Imel 312/DIG. 33
3,887,103 6/1975 Spooner D34/44

[76] Inventors: Thomas A. Hays, 3841 Magnolia, Irvine, Calif. 92714; Michael T. Kenney, 11525 Rosemary Ave., Fountain Valley, Calif. 92708

Primary Examiner—George P. Word
Attorney, Agent, or Firm—Fulwider, Patton, Rieber, Lee & Utecht

[**] Term: 14 Years

[57] CLAIM

[21] Appl. No.: 881,020

The ornamental design for a locker caddy with variable position handle, substantially as shown and described.

[22] Filed: Jul. 1, 1986

DESCRIPTION

Related U.S. Application Data

[63] Continuation-in-part of Ser. No. 521,547, Aug. 9, 1983, abandoned.

FIG. 1 is a perspective view of a locker caddy with variable position handle, showing our new design; FIG. 2 is a left side elevational view thereof; FIG. 3 is a rear elevational view thereof; FIG. 4 is a front elevational view thereof; FIG. 5 is a top plan view thereof; FIG. 6 is a bottom plan view thereof; FIG. 7 is a front perspective view with the handle disposed in a second position; and, FIG. 8 is a front perspective view with the handle disposed in a third position.

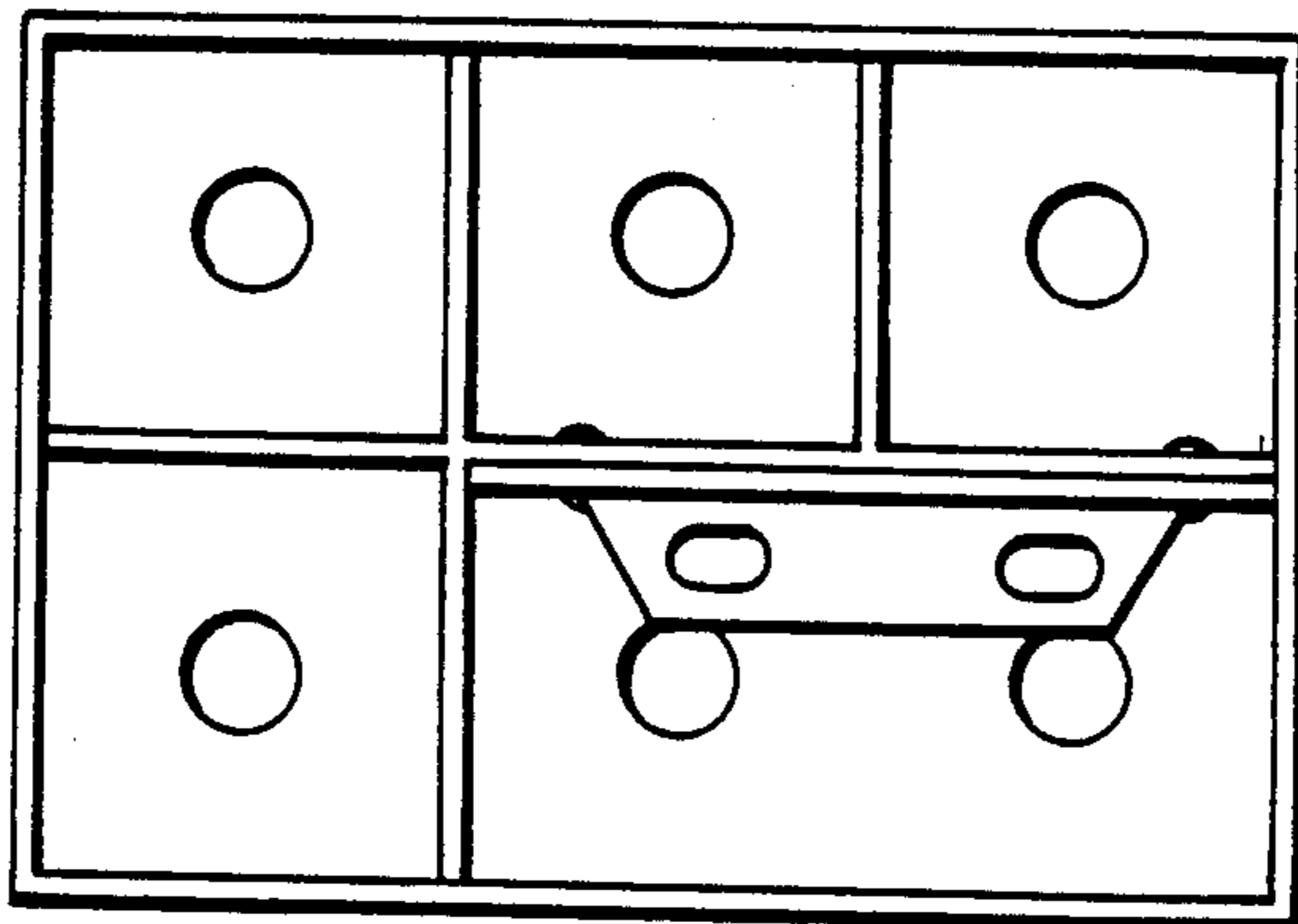
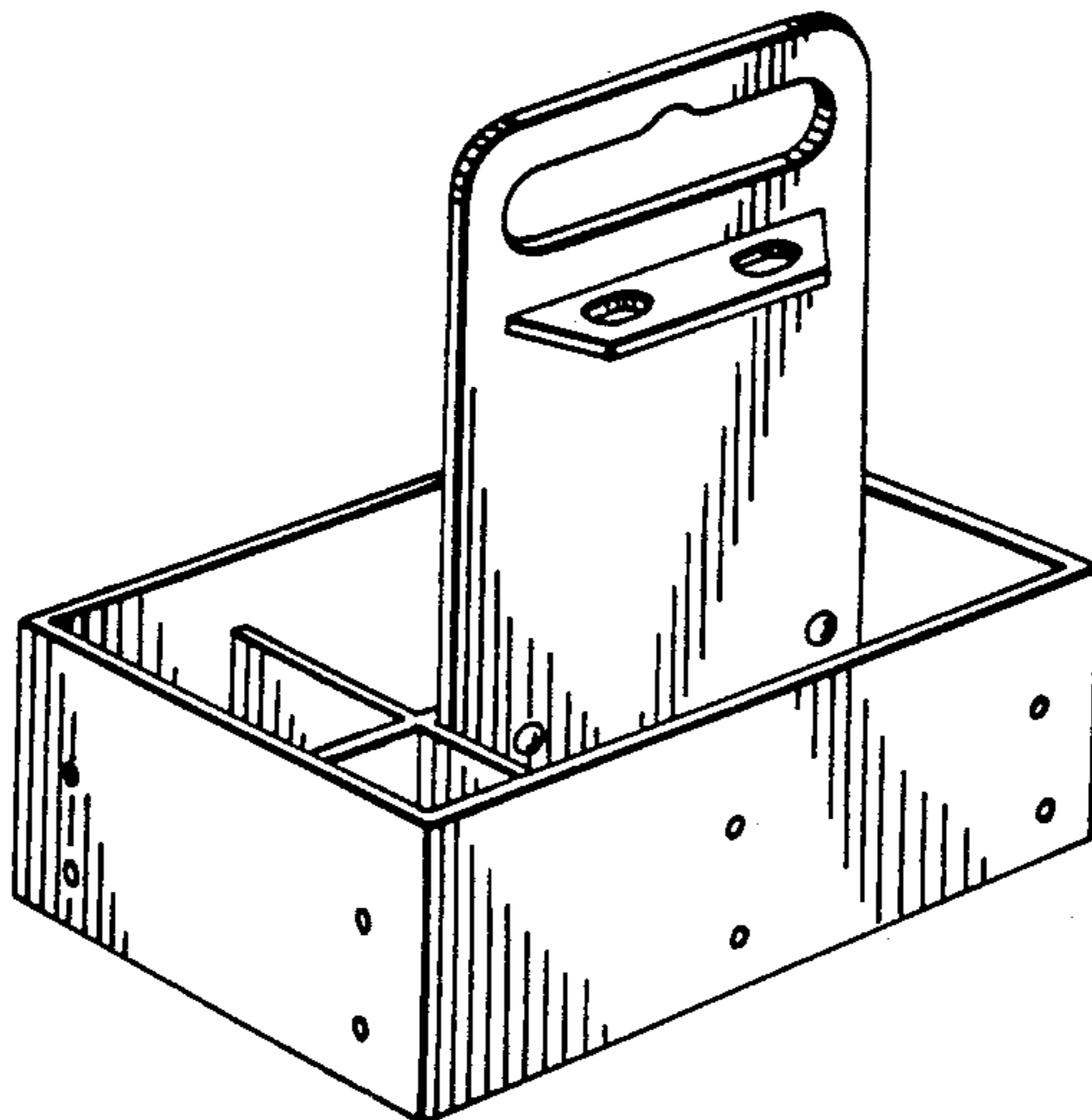
[52] U.S. Cl. D34/43; D34/45

[58] Field of Search D3/30.1, 73, 74, 39; D34/43, 46; D6/413, 475, 510; 206/315; 312/DIG. 33

[56] References Cited

U.S. PATENT DOCUMENTS

D. 193,313 7/1962 Peca D34/44



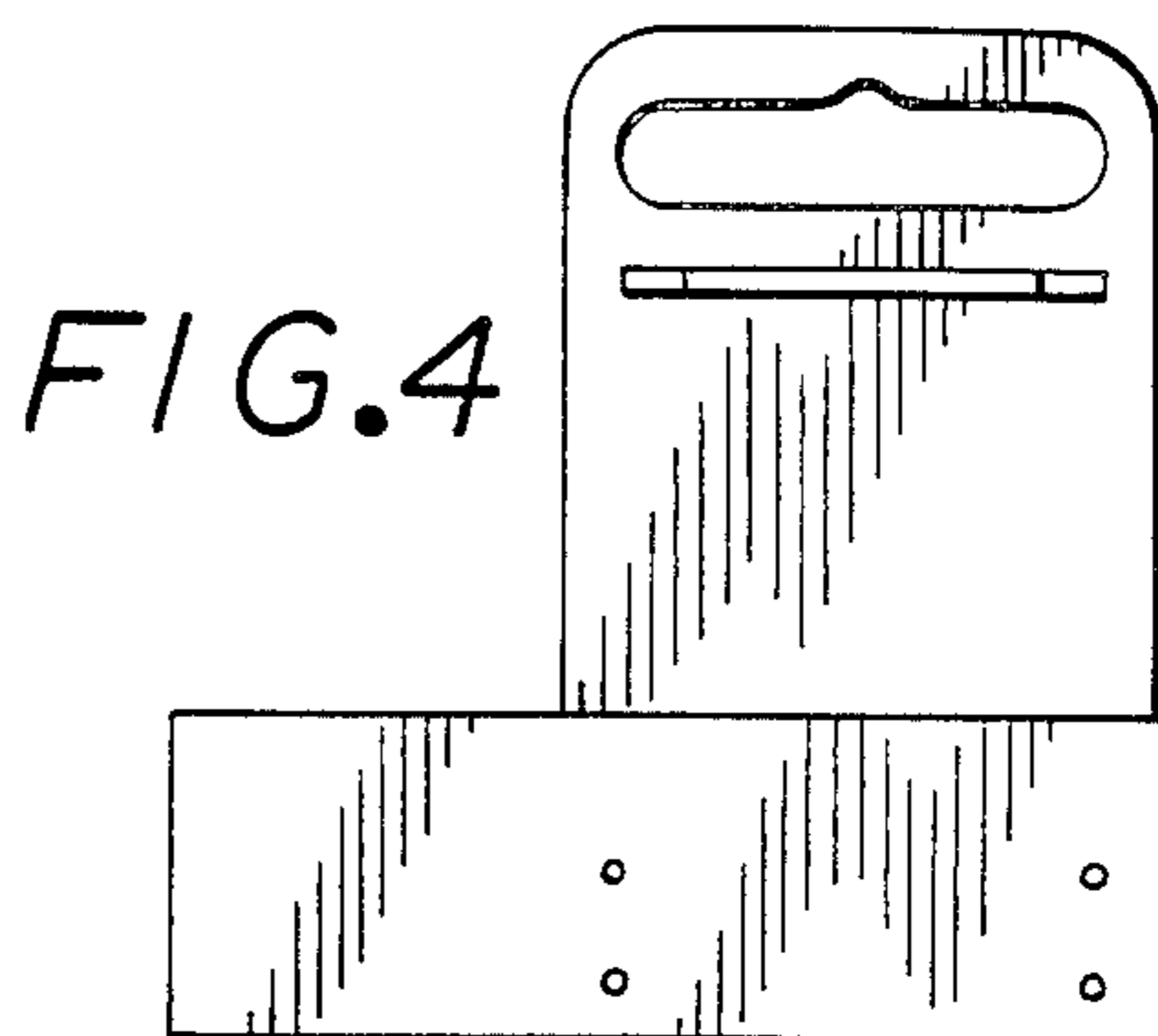
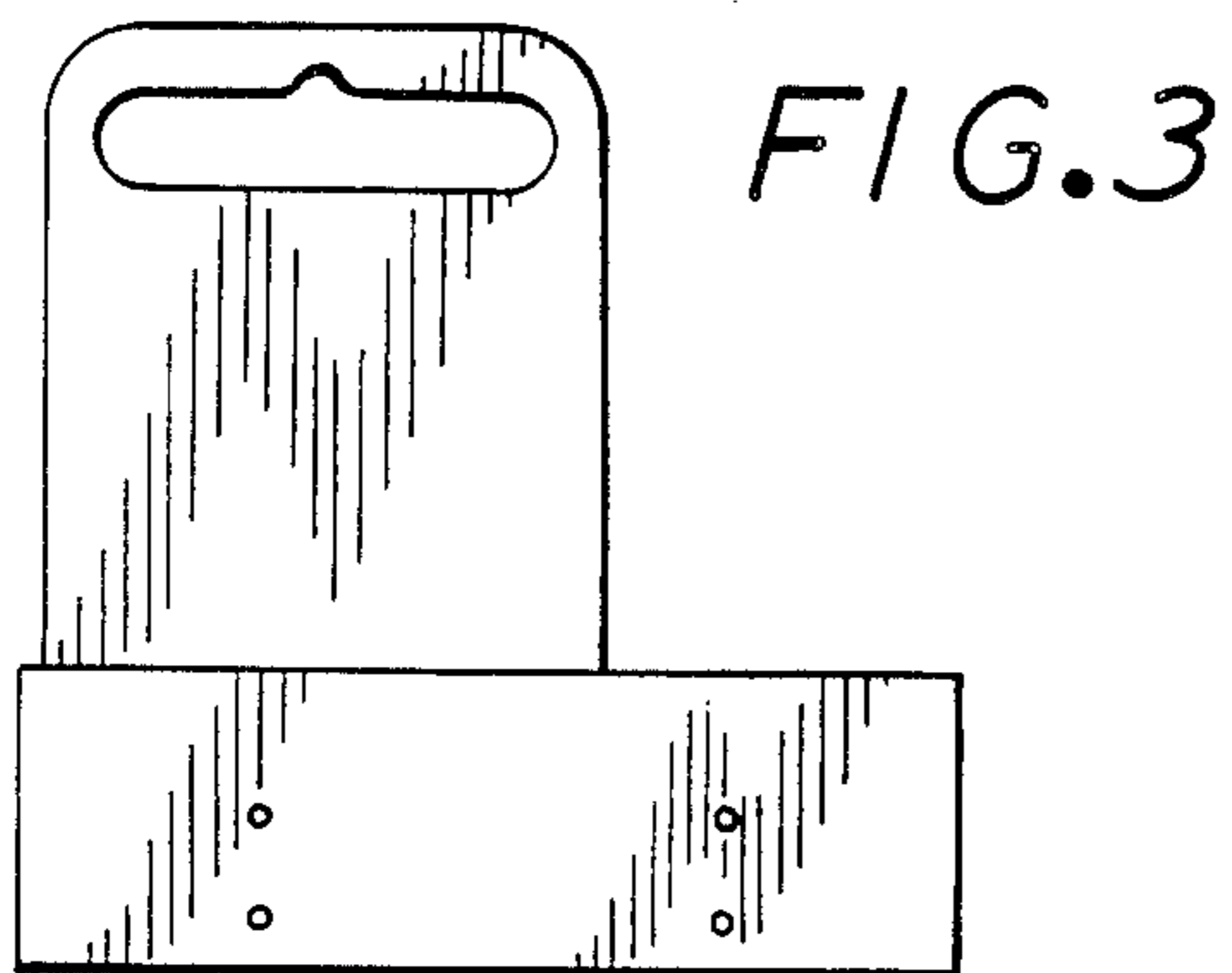
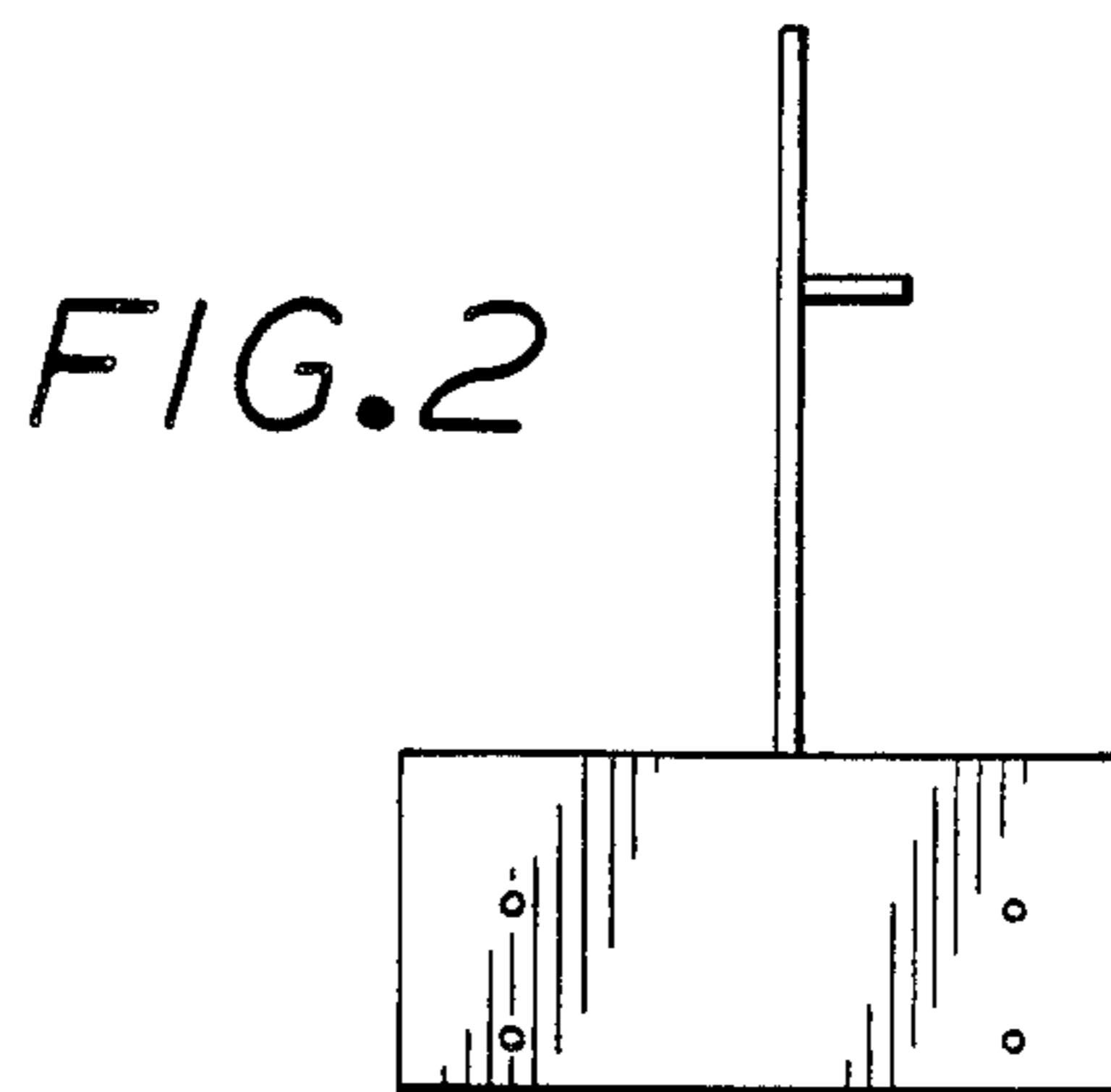
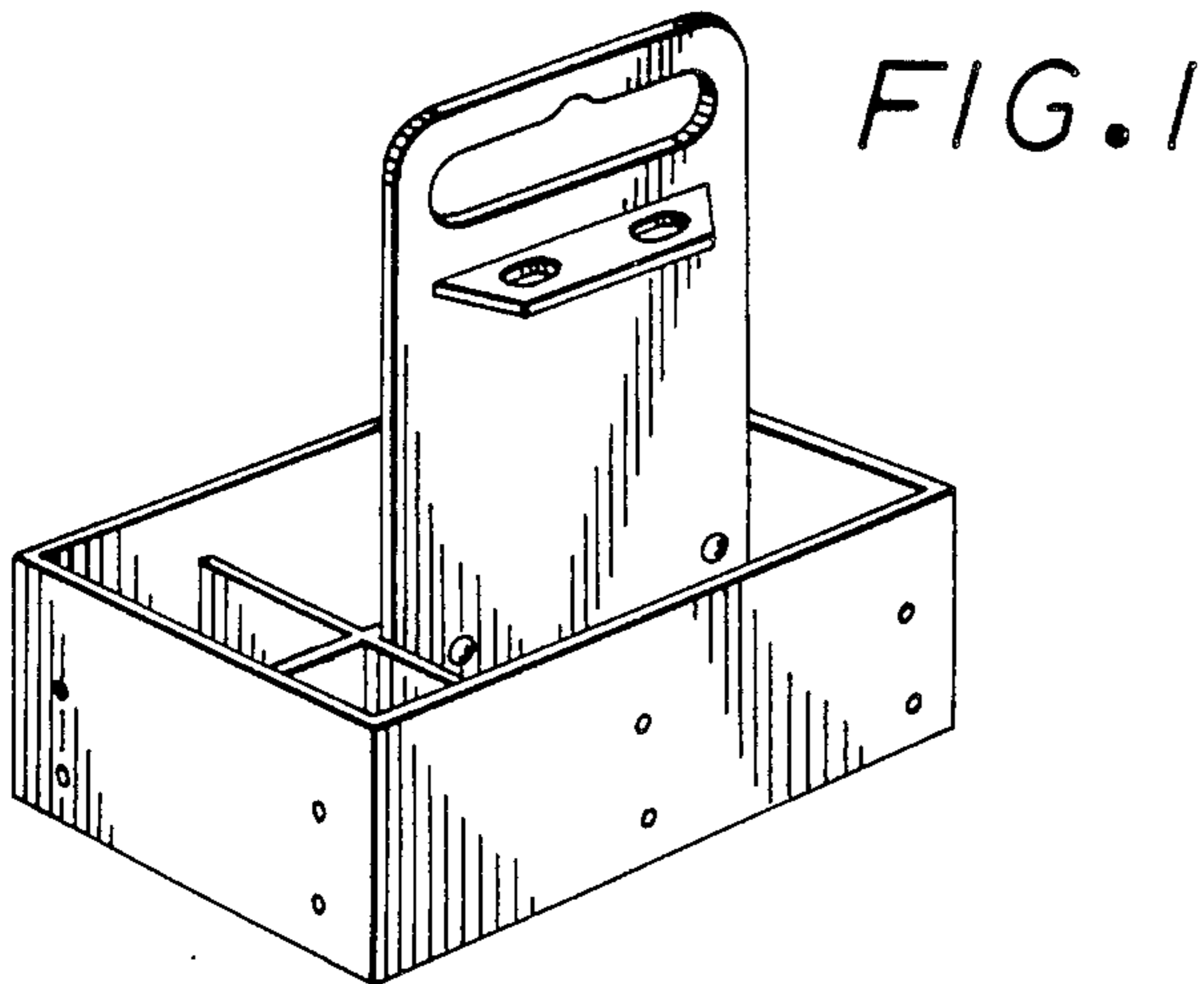


FIG. 5

FIG. 6

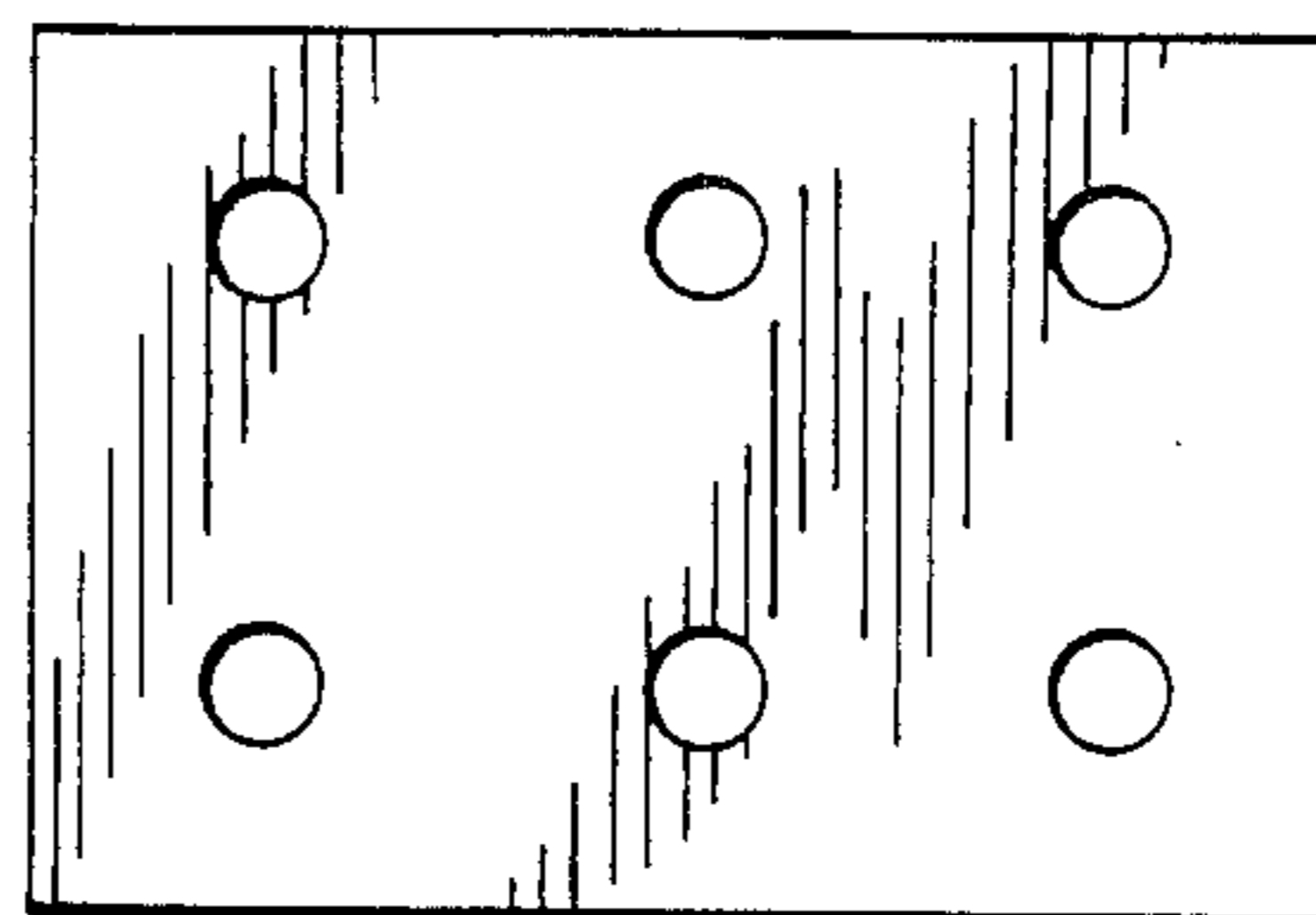
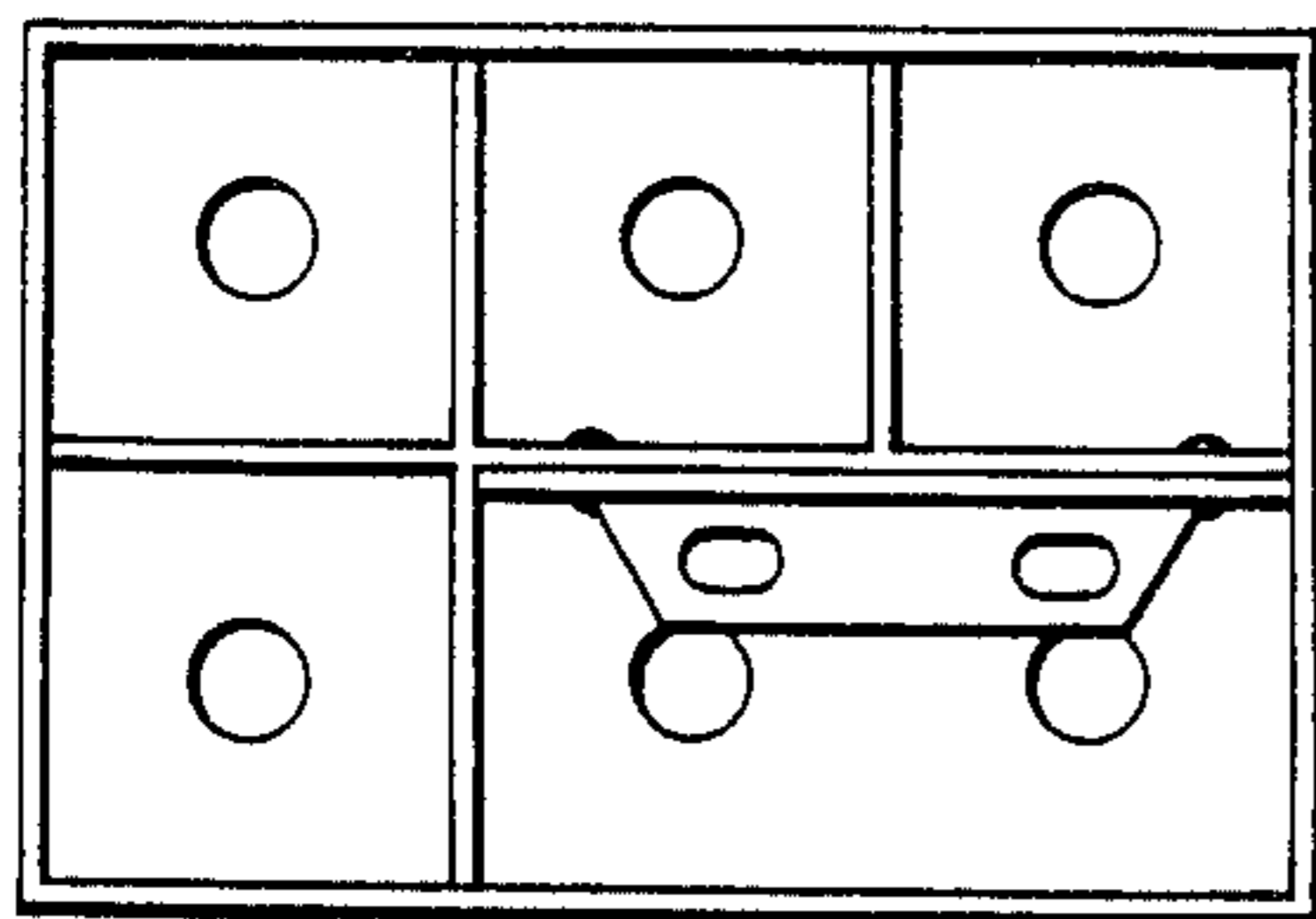


FIG. 7

FIG. 8

