

[54] AUTOMATIC GUIDED VEHICLE

[75] Inventors: Ian J. Dawson, Mentor, Ohio; Bernard E. Erlacher, Washington, Ill.; Robert D. Higgins, Highland Heights, Ohio; John E. Wible, both of Painesville, Ohio; Robert L. McNutt

[73] Assignee: Caterpillar Industrial Inc., Mentor, Ohio

[\*\*] Term: 14 Years

[21] Appl. No.: 775,453

[22] Filed: Sep. 12, 1985

[52] U.S. Cl. .... D34/34; D34/18; D34/28

[58] Field of Search ..... 180/168, 277, 168, 89.14, 180/89.17; D34/28, 34, 37, 18; D12/14; D15/22, 23, 24, 26

[56] References Cited

U.S. PATENT DOCUMENTS

D. 262,613	1/1982	Frees .....	D34/34
2,920,713	1/1960	Paradise .....	180/277
3,009,525	11/1961	Liban .....	180/168
3,598,196	8/1971	Ballantyne .....	180/168
3,901,346	8/1975	Kohls et al. ....	180/277

4,042,058	8/1977	Cooper .....	180/168
4,137,984	2/1979	Jennings et al. ....	180/168
4,161,322	7/1979	Ekeborg et al. ....	296/190

FOREIGN PATENT DOCUMENTS

2102160	1/1983	United Kingdom .....	180/168
2087120	2/1985	United Kingdom .	

OTHER PUBLICATIONS

Barrett-Cravens Company brochure, Barrett "Guide-O-Matic", Model 1588.

Primary Examiner—James M. Gandy  
Assistant Examiner—Kay H. Chin  
Attorney, Agent, or Firm—Alan J. Hickman

[57] CLAIM

The ornamental design for an automatic guided vehicle, substantially as shown and described.

DESCRIPTION

FIG. 1 is a right side elevational view of an automatic guided vehicle showing our new design; FIG. 2 is a left side elevational view thereof; FIG. 3 is a front elevational view thereof; FIG. 4 is a rear elevational view thereof; FIG. 5 is a top plan view thereof; FIG. 6 is a bottom plan view thereof; and FIG. 7 is a front perspective view thereof.

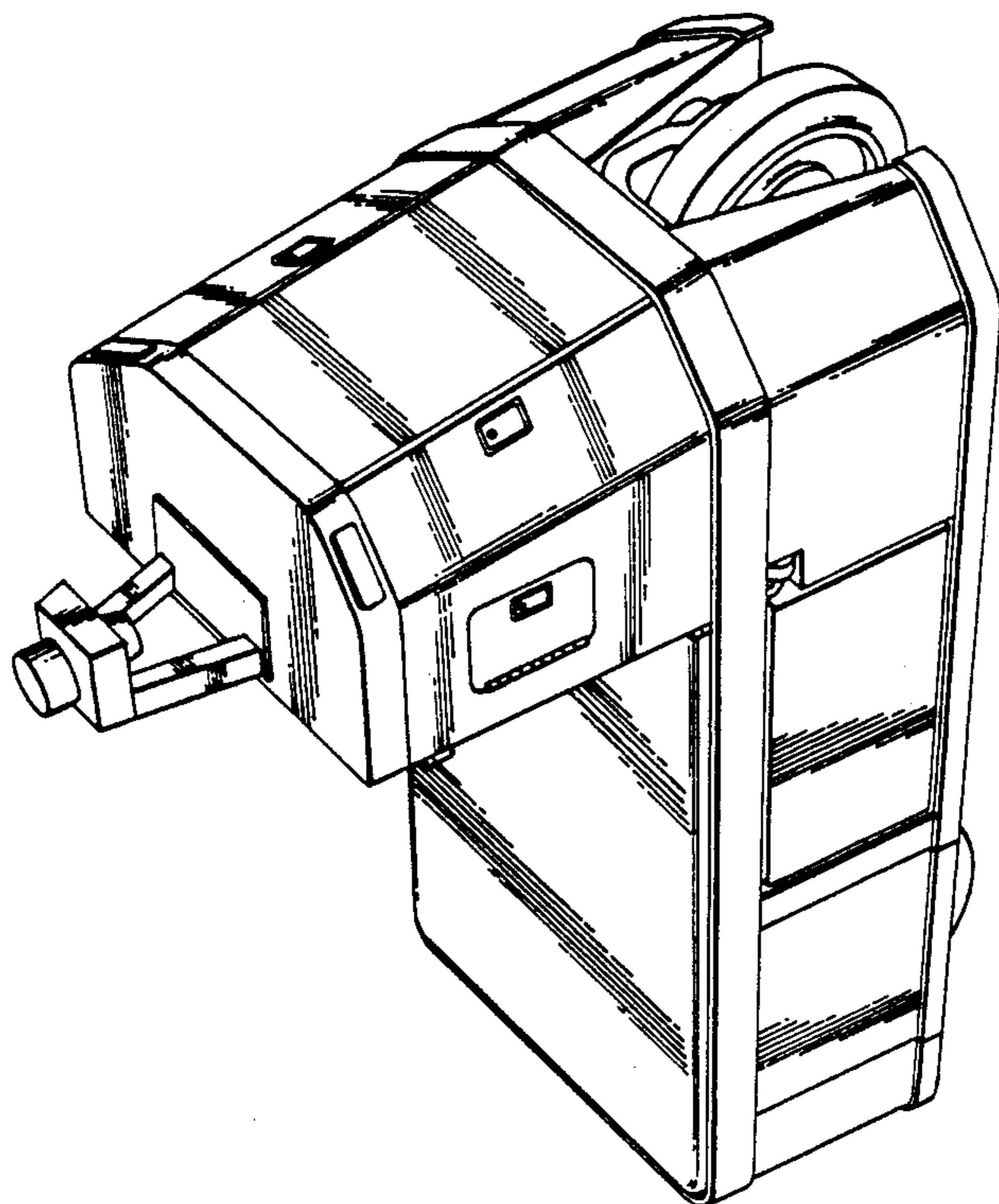


FIG. 1

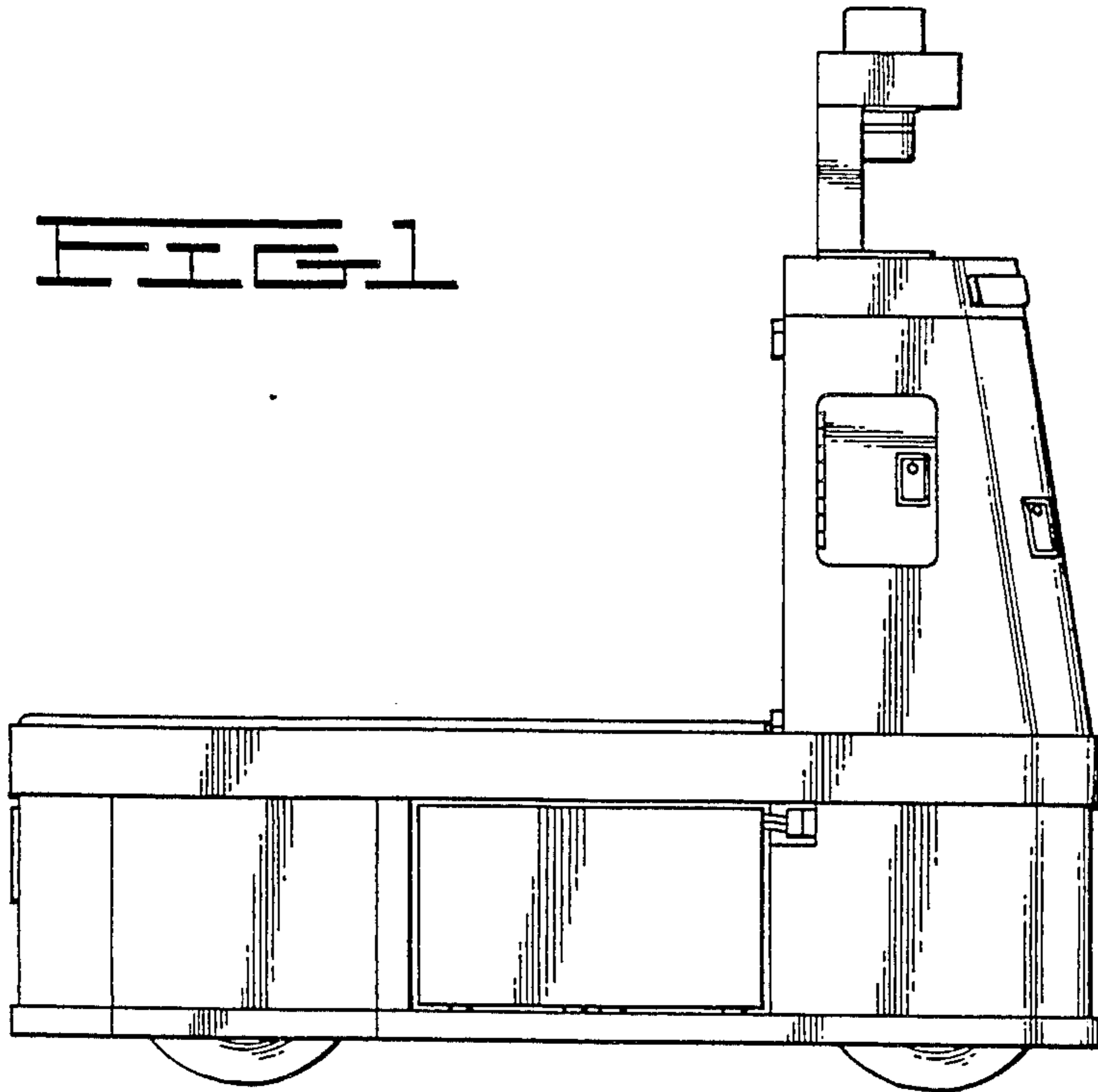


FIG. 2

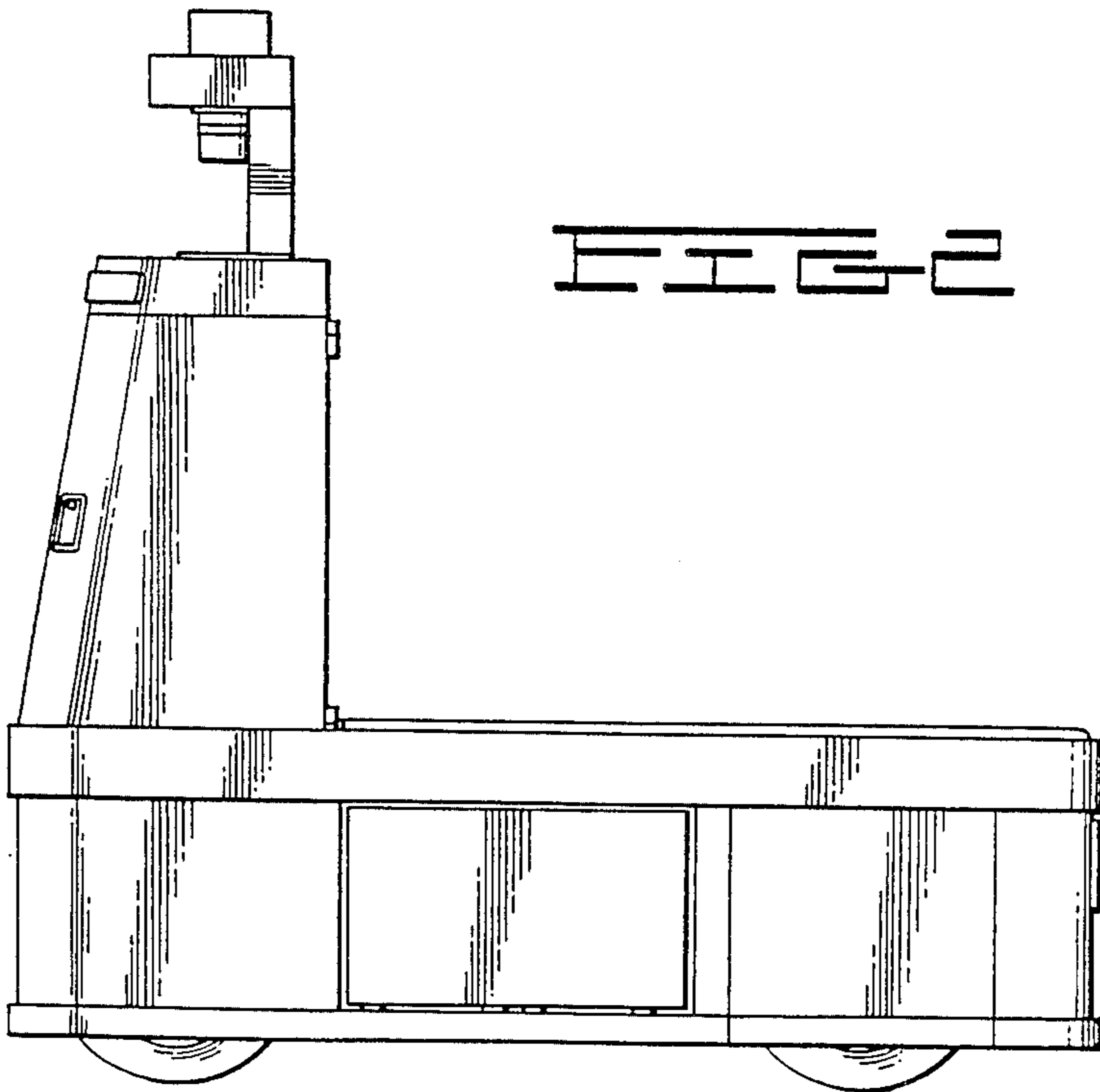


FIG-3

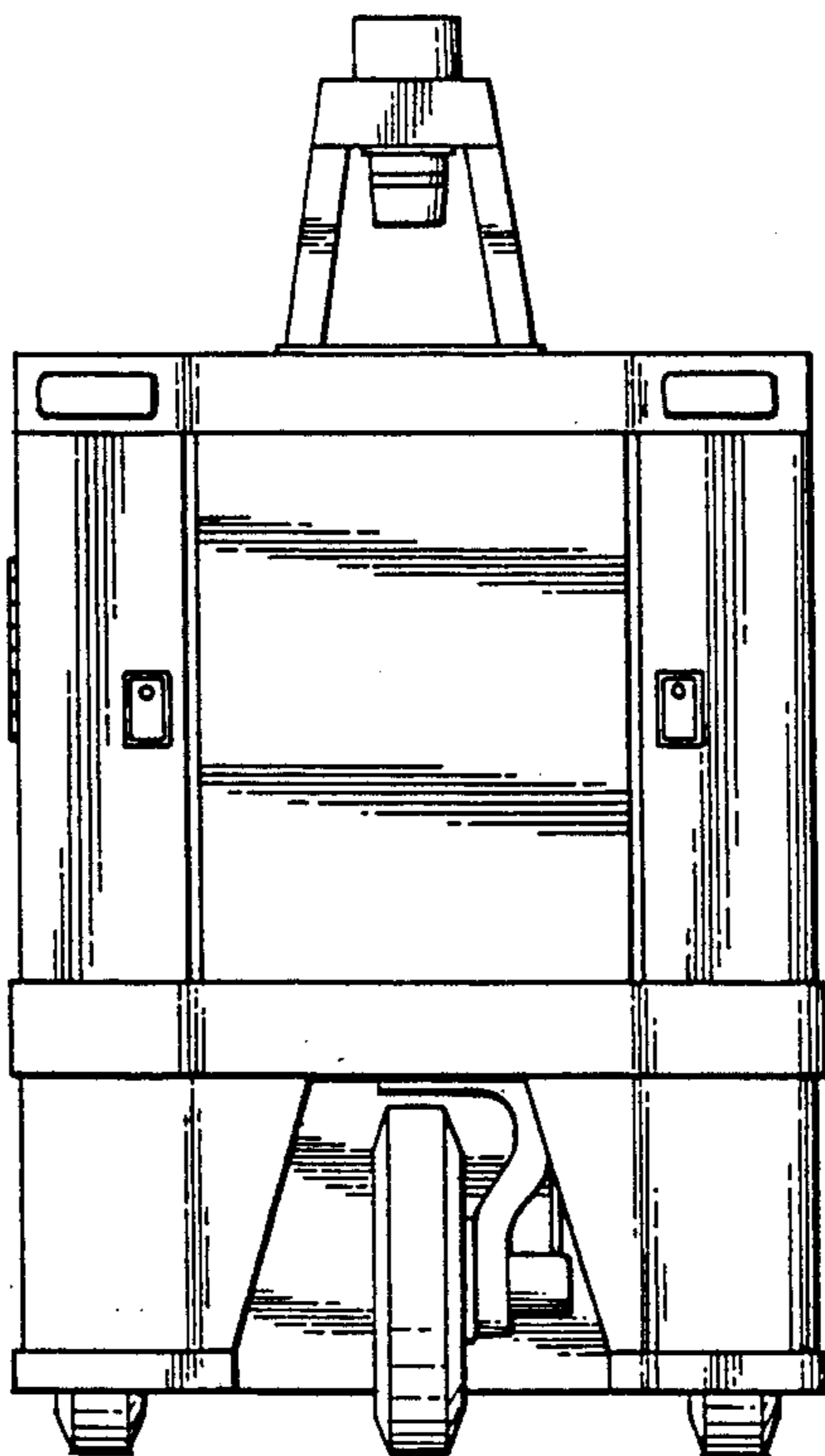


FIG-4

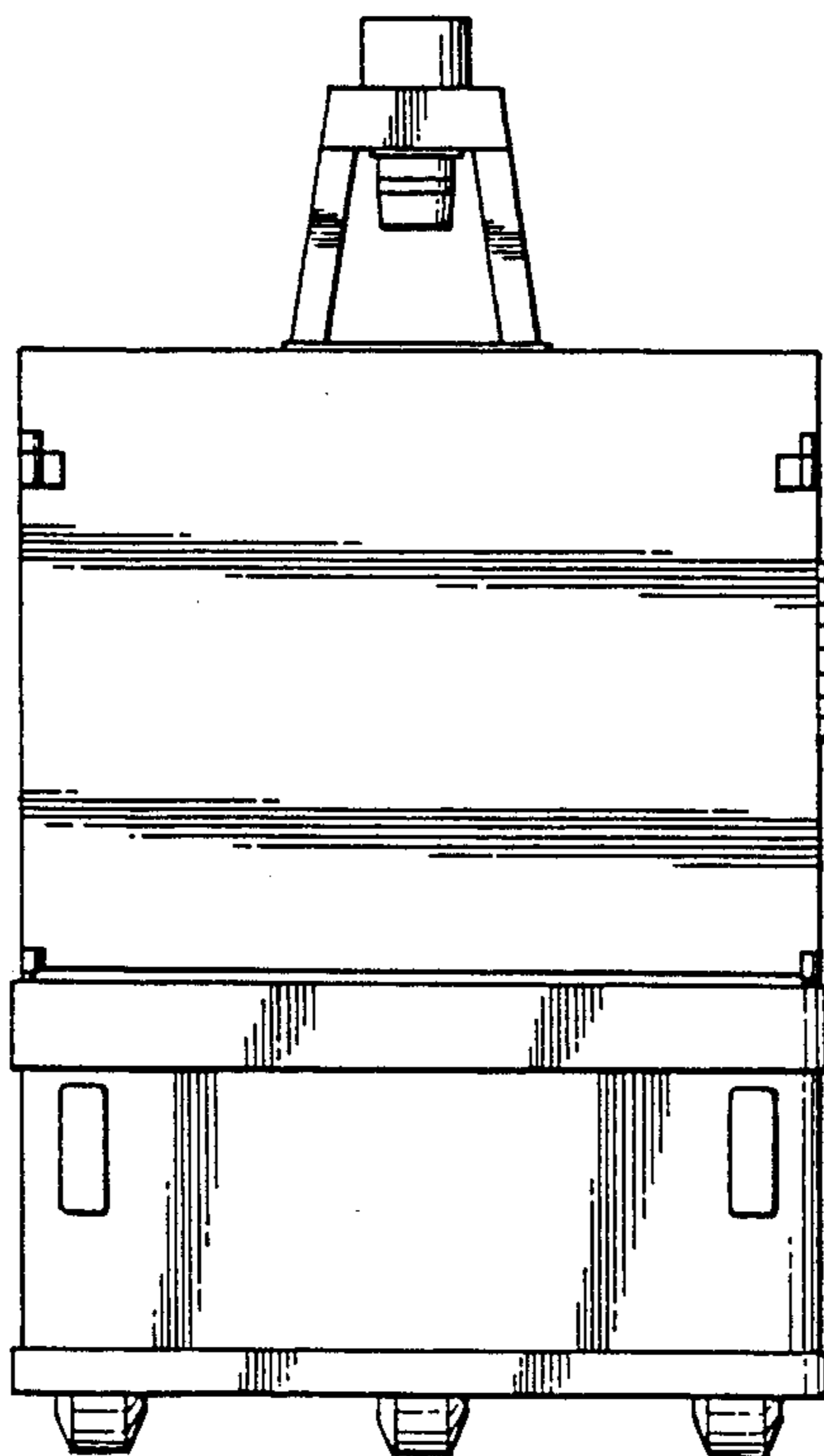


FIG. 5

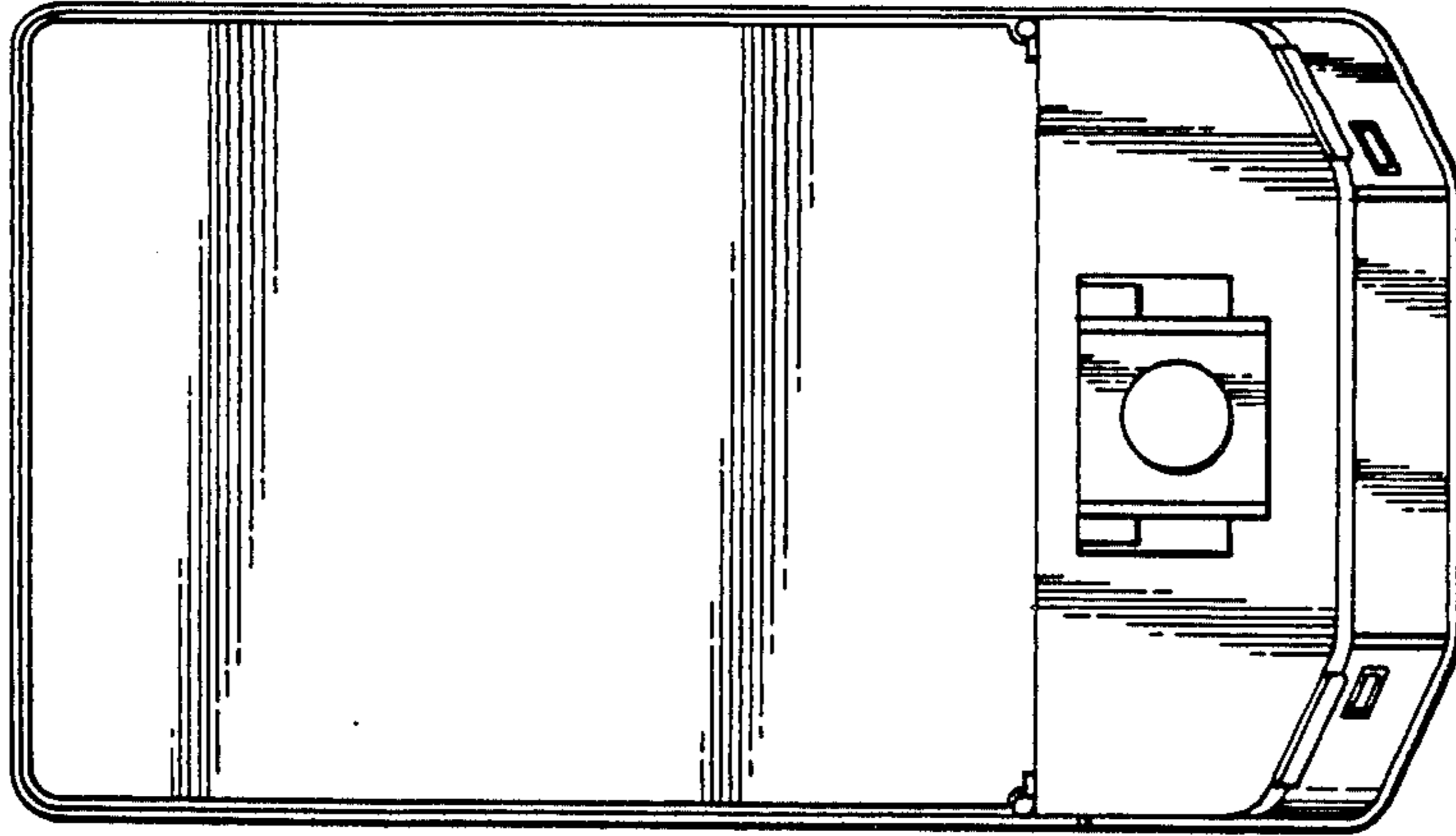
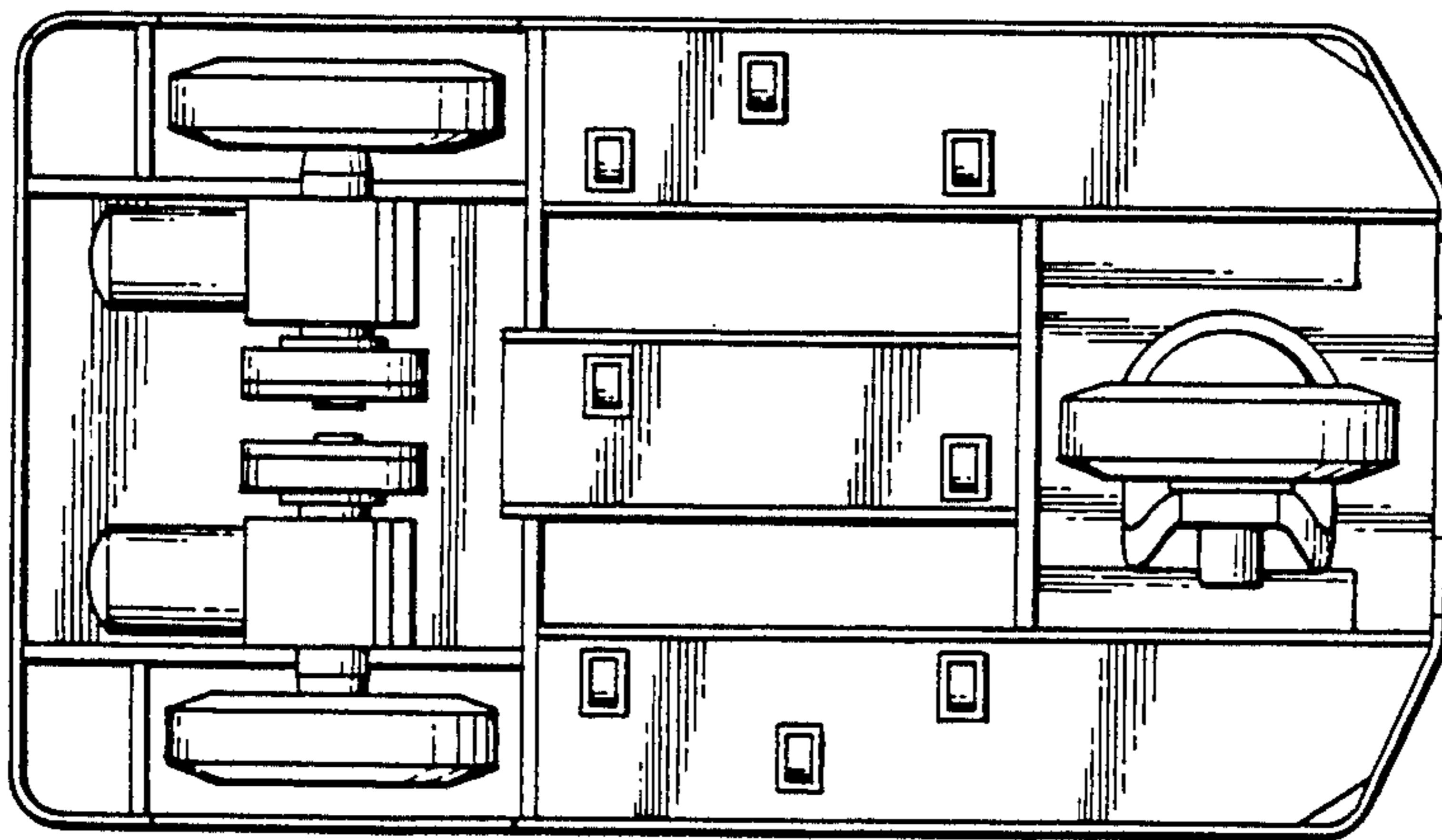


FIG. 6



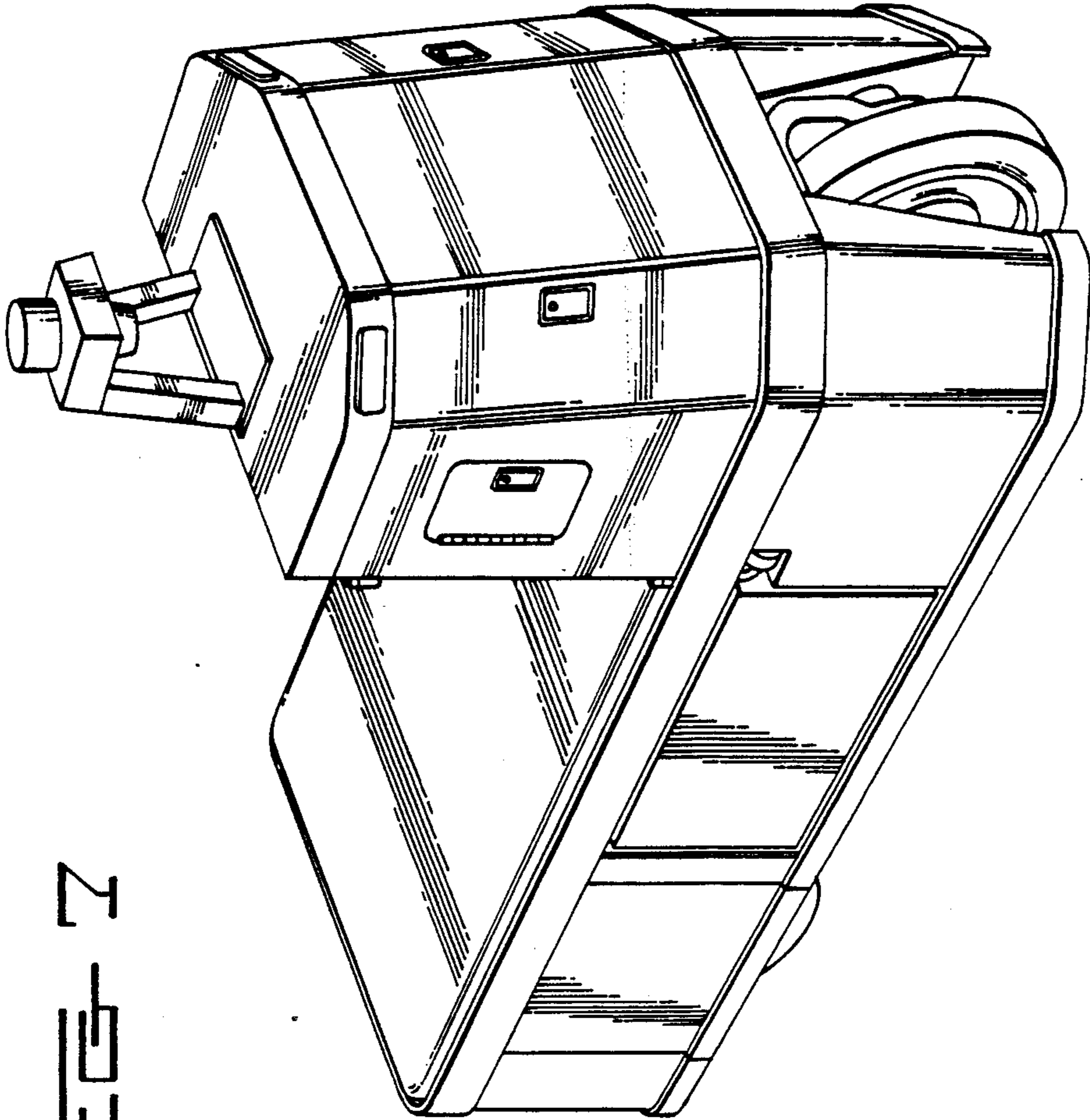


FIG. 2