

United States Patent [19]

Pancook

[11] Patent Number: Des. 295,104

[45] Date of Patent: ** Apr. 5, 1988

[54] LEVER-OPERATED HOIST OR PULLER

2,243,358 5/1941 Robins D34/33

4,260,136 4/1981 Harman et al. 254/372

4,434,974 3/1984 LaCount 254/372

[75] Inventor: James J. Pancook, Tonawanda, N.Y.

[73] Assignee: Columbus McKinnon Corporation,
Amherst, N.Y.

Primary Examiner—James M. Gandy

Assistant Examiner—Kay H. Chin

Attorney, Agent, or Firm—Bean, Kauffman & Bean

[**] Term: 14 Years

[21] Appl. No.: 734,158

[22] Filed: May 15, 1985

[52] U.S. Cl. D34/33

[58] Field of Search D34/28, 33, 35;
254/356, 372

[57] CLAIM

The ornamental design for a lever-operated hoist or puller, as shown and described.

DESCRIPTION

FIG. 1 is a side elevational view of a lever-operated hoist or puller showing my new design, the broken lines are for illustrative purpose only and form no part of the claimed design;

FIG. 2 is a top plan view thereof;

FIG. 3 is a bottom plan view thereof;

FIG. 4 is a left end elevational view thereof; and

FIG. 5 is a right end elevational view thereof.

[56] References Cited

U.S. PATENT DOCUMENTS

D. 43,065 9/1912 Valentine D34/33

D. 153,013 3/1949 Parker D34/33

D. 238,482 1/1976 Pitts D34/33

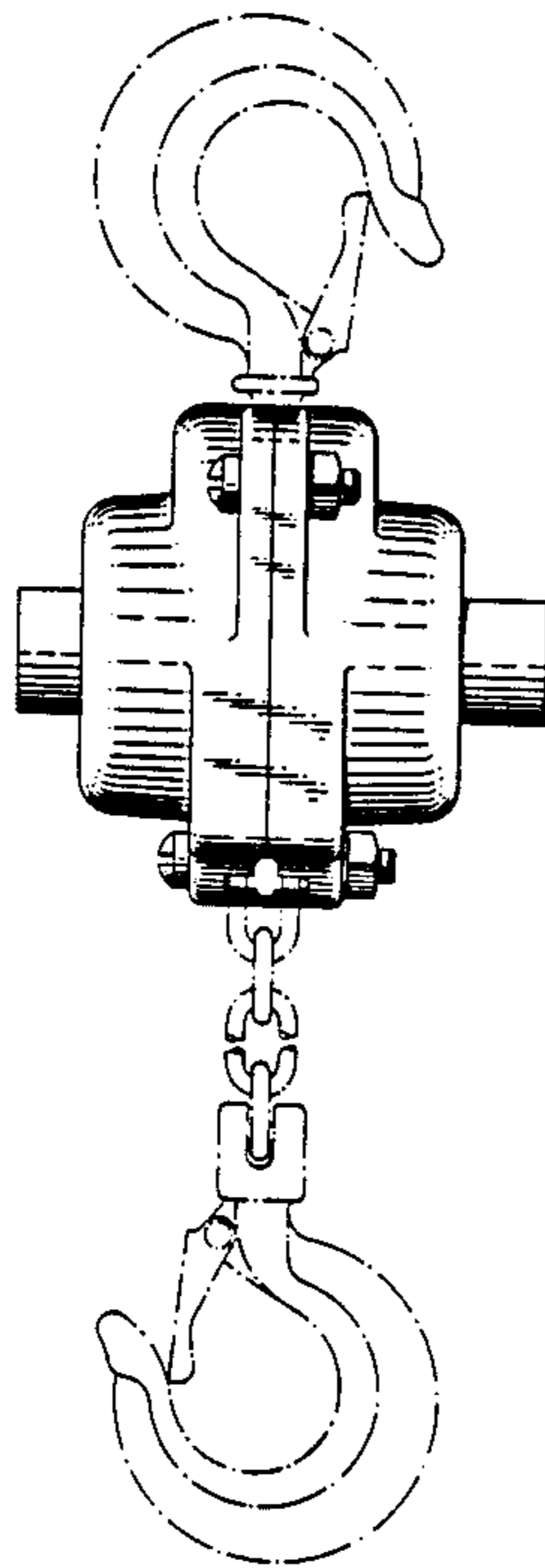


Fig. 1.

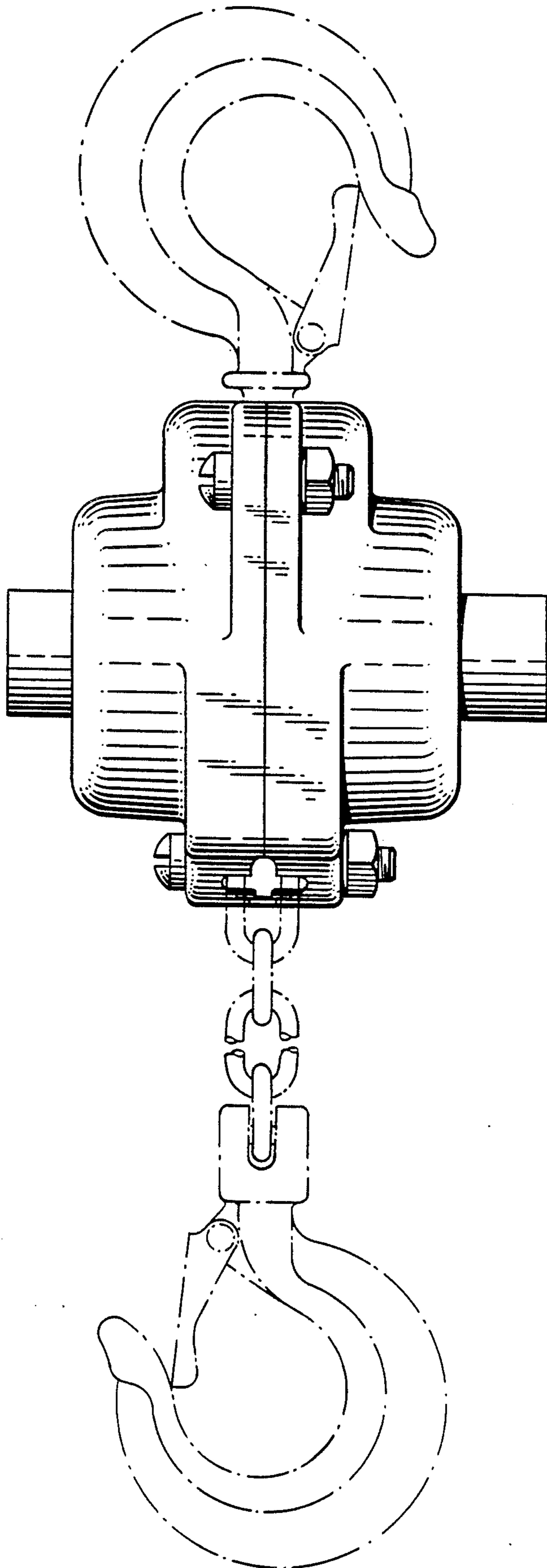


Fig. 2.

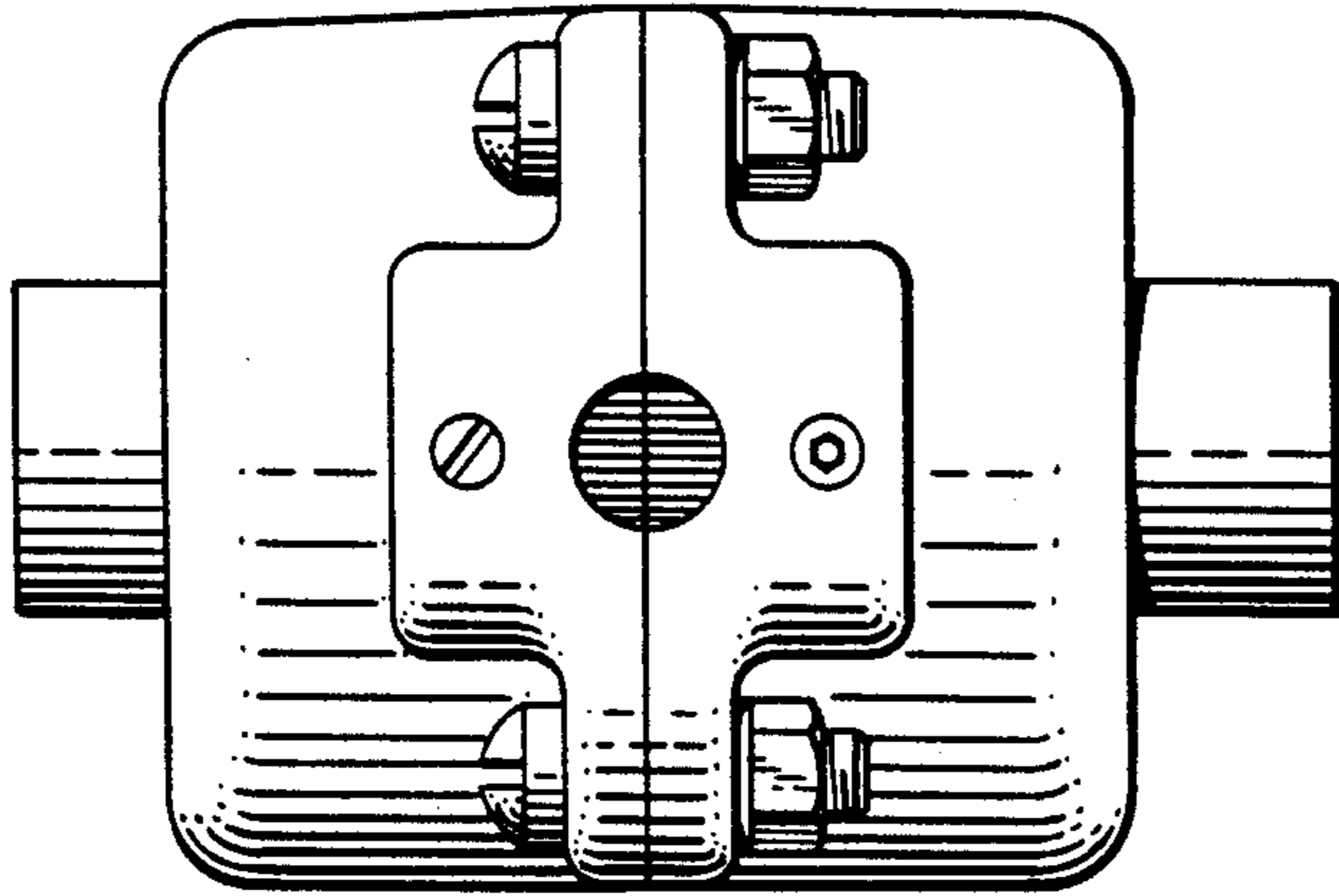


Fig. 4.

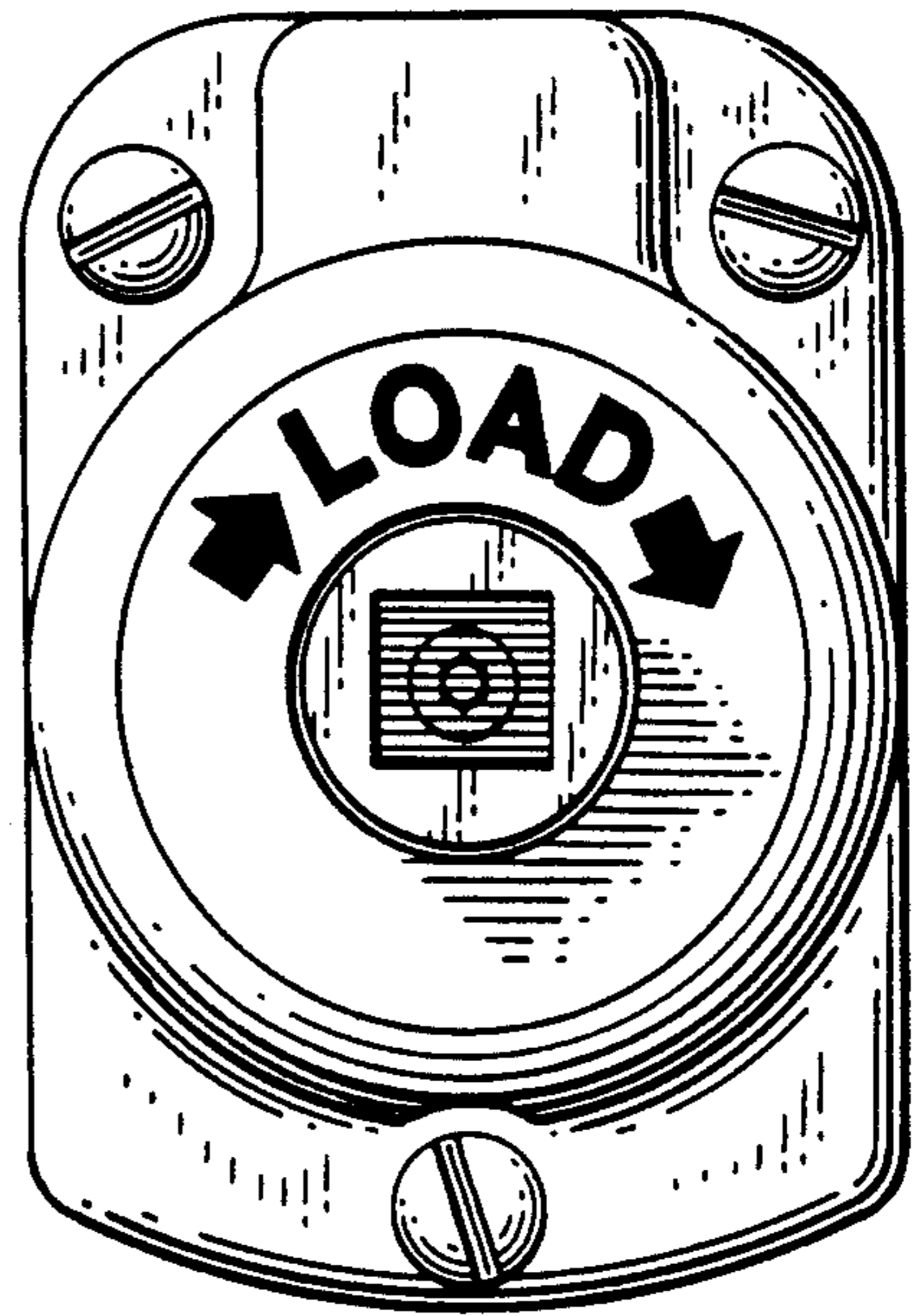


Fig. 3.

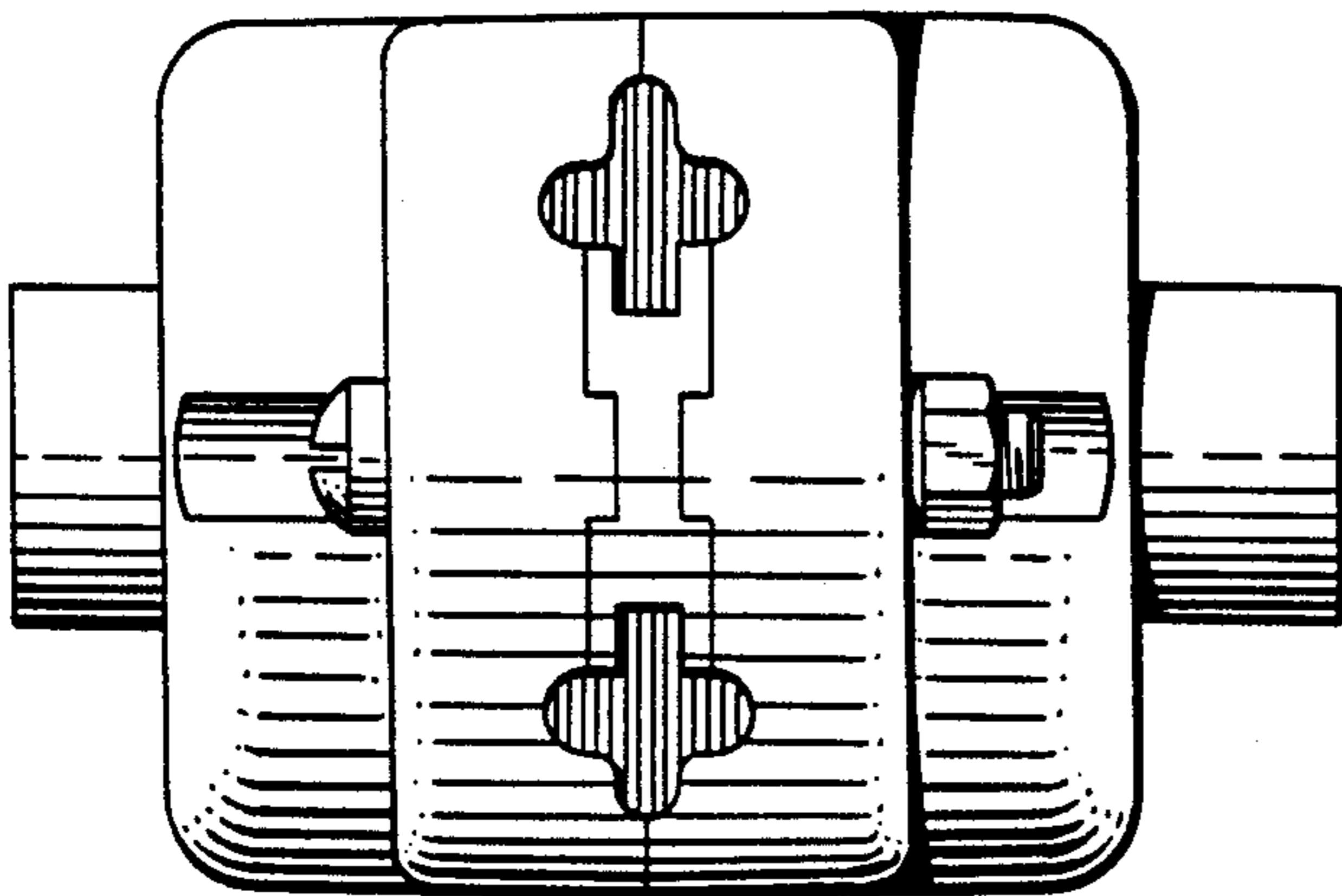


Fig. 5.

