

[54] SPENT CATALYST CONTAINER

[75] Inventors: Michael E. Erickson, Country Club Hills; Roman T. Plichta, Naperville, both of Ill.; Daniel F. Rajanayakam, Houston, Tex.

[73] Assignee: Amoco Corporation, Chicago, Ill.

[\*\*] Term: 14 Years

[21] Appl. No.: 781,970

[22] Filed: Sep. 30, 1985

[52] U.S. Cl. .... D34/28; D34/38; D34/39; D34/7

[58] Field of Search ..... D34/1, 7, 11, 6, 28, D34/38, 39; 220/1.5; 294/68.1, 68.2, 68.27; 222/185, 183, 143

[56] References Cited

U.S. PATENT DOCUMENTS

474,507	5/1892	Stiles .....	222/478
1,285,074	11/1918	Draper .....	141/309
2,035,838	3/1936	Reeder et al. ....	294/73
2,161,988	6/1939	Warr et al. ....	221/67
2,228,435	1/1941	Binon .....	221/76
2,293,160	8/1942	Miller et al. ....	48/38
2,614,817	10/1952	Pyle et al. ....	366/194
2,681,746	6/1954	Hawkins et al. ....	222/165
2,862,645	12/1958	Page et al. ....	222/143
2,929,658	3/1960	Killebrew .....	298/8
3,083,879	4/1963	Coleman .....	222/143
3,111,242	11/1963	Reed .....	222/183
3,138,297	6/1964	McKinney .....	222/185
3,162,330	12/1964	Dickson et al. ....	222/183
3,182,750	5/1965	Gleason et al. ....	184/55
3,198,395	8/1965	McKinney .....	222/166
3,220,612	11/1965	Thomson .....	222/166

3,224,653	12/1965	Cooke .....	222/462
3,231,141	1/1966	Schaad .....	222/166
3,318,486	5/1967	Felix .....	222/143
3,347,971	10/1967	Mankowich et al. ....	264/310
3,407,971	10/1968	Oehler .....	222/185
3,602,400	8/1971	Cooke .....	222/185
3,785,534	1/1974	Smith .....	222/143
3,899,095	8/1975	Wiese .....	414/414
4,027,787	6/1977	Bibeau .....	222/166
4,032,048	6/1977	Nichols .....	222/185
4,281,729	8/1981	Farley .....	177/139
4,398,653	8/1983	Daloisio .....	222/185
4,648,521	3/1987	Thomas et al. ....	220/1.5

FOREIGN PATENT DOCUMENTS

1309564	12/1961	France .....	220/1.5
---------	---------	--------------	---------

Primary Examiner—James M. Gandy

Assistant Examiner—Kay H. Chin

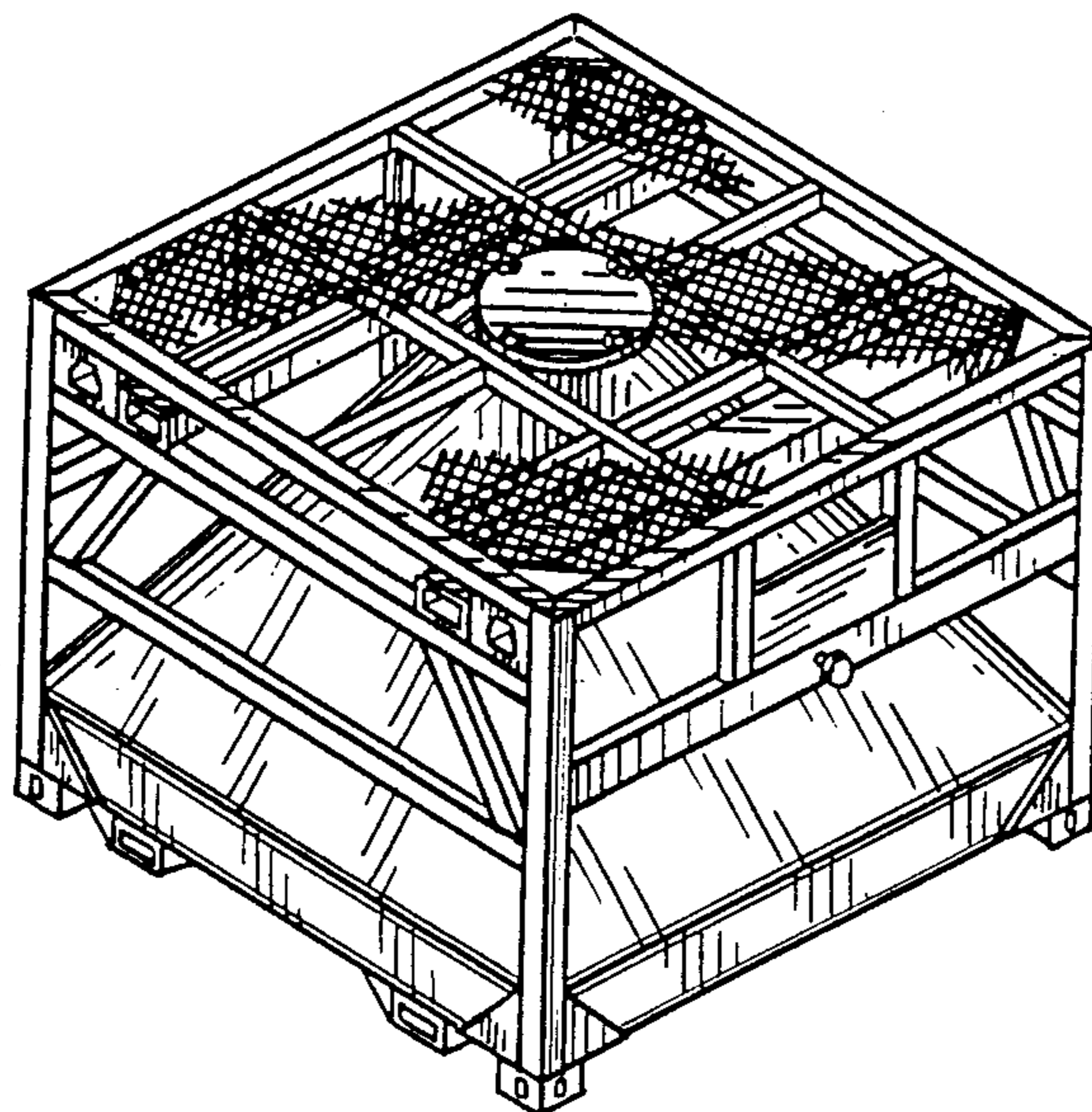
Attorney, Agent, or Firm—Thomas W. Tolpin; William H. Magidson; Ralph C. Medhurst

[57] CLAIM

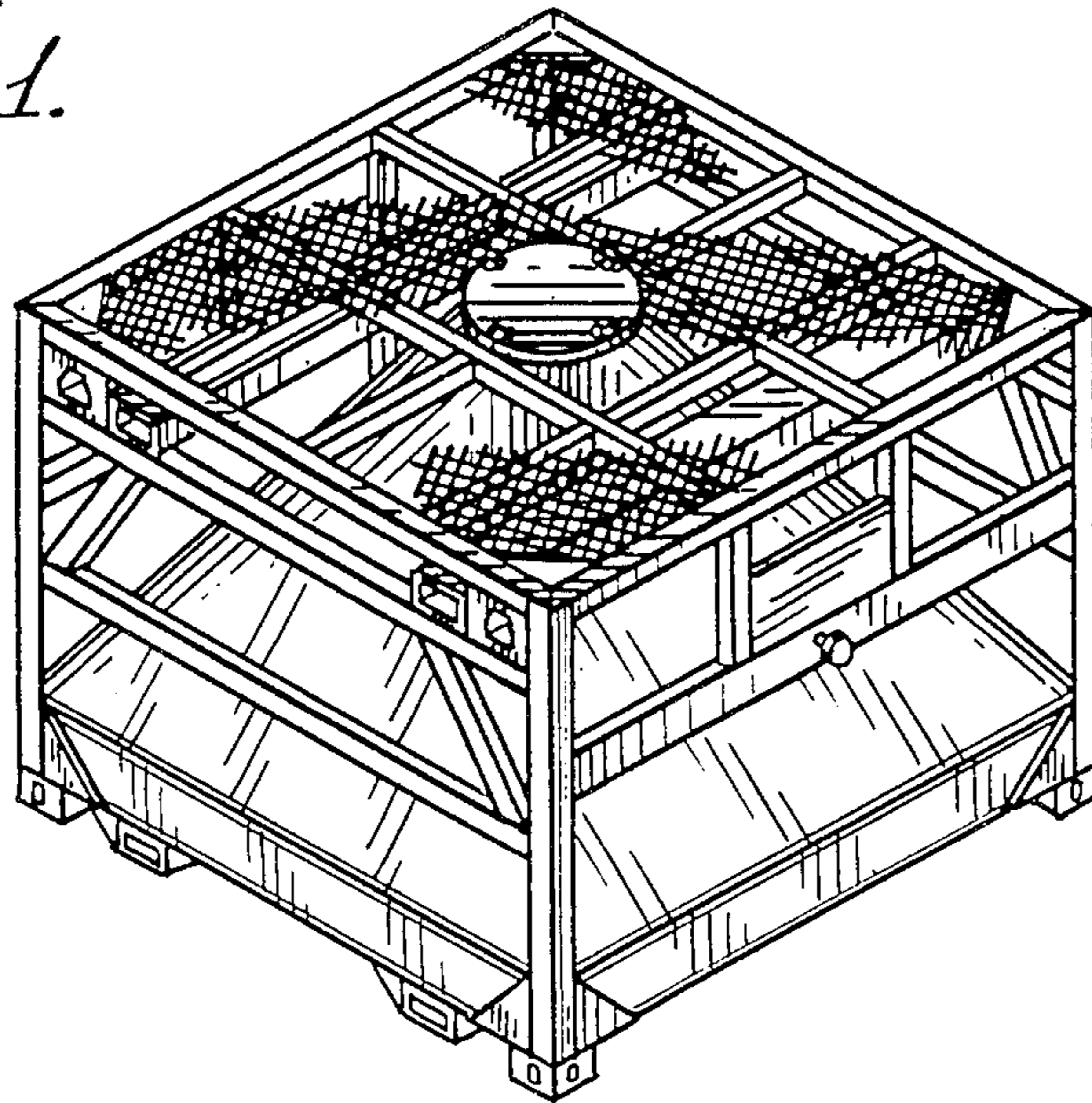
The ornamental design for a spent catalyst container, as shown and described.

DESCRIPTION

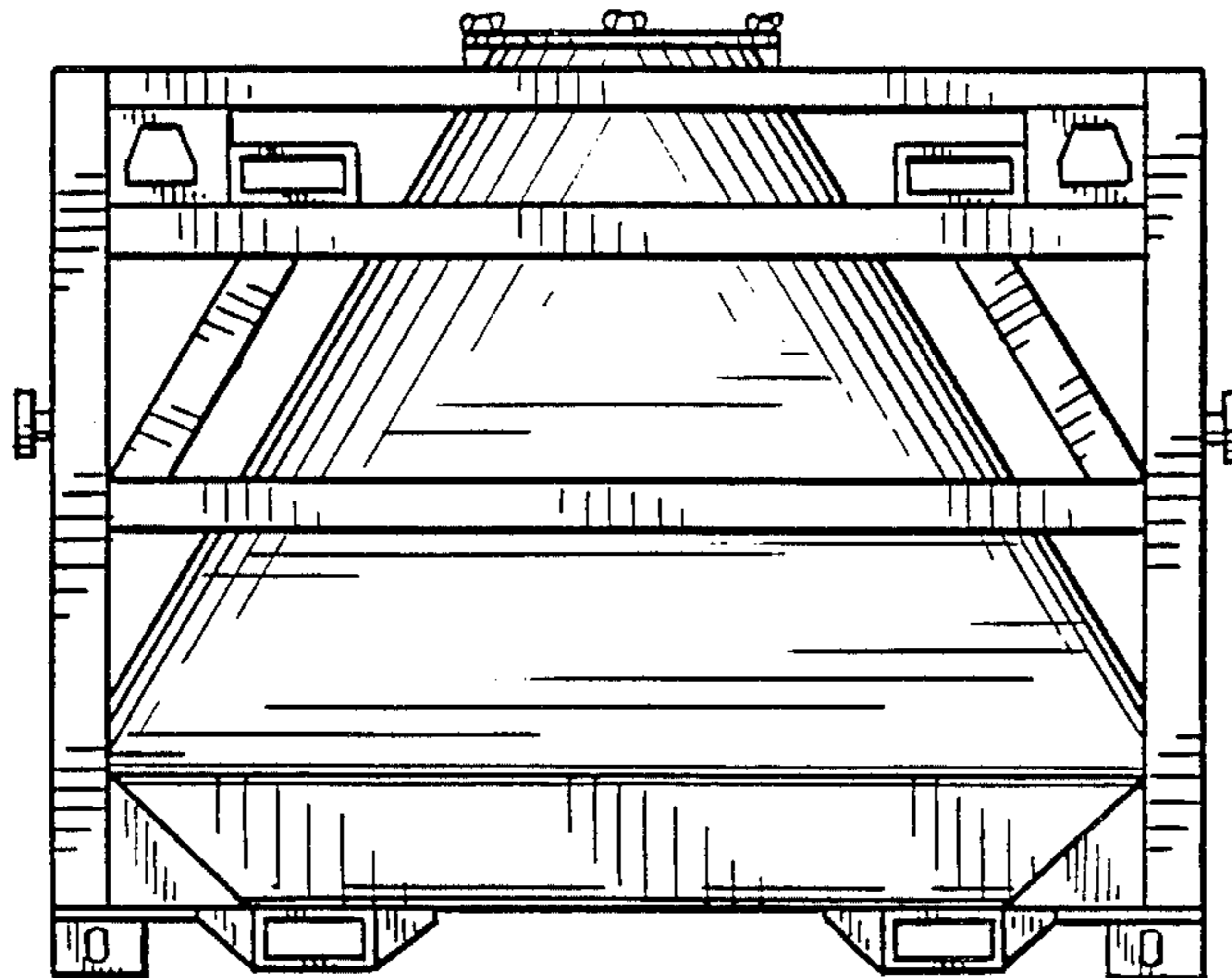
FIG. 1 is a perspective view of a spent catalyst container showing our new design; FIG. 2 is a front elevation view thereof, the rear elevation view being a mirror image of that shown; FIG. 3 is a right side elevation view thereof, the left side being a mirror image of that shown; FIG. 4 is a top plan view thereof; and FIG. 5 is a bottom plan view thereof. The fragmentary criss-cross pattern shown on the top of the container in FIGS. 1 and 4 is understood to be continuous throughout the area shown.



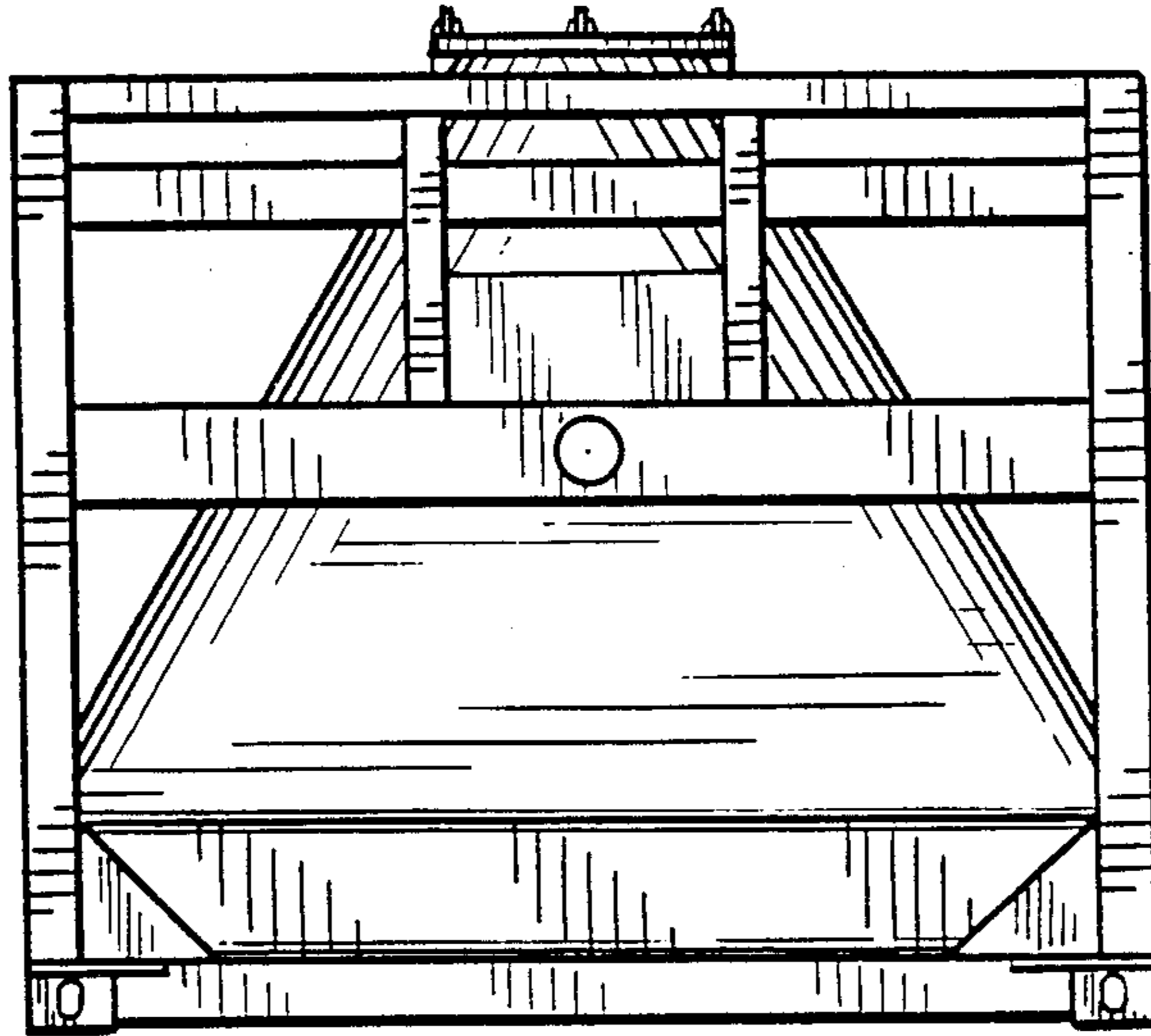
*Fig. 1.*



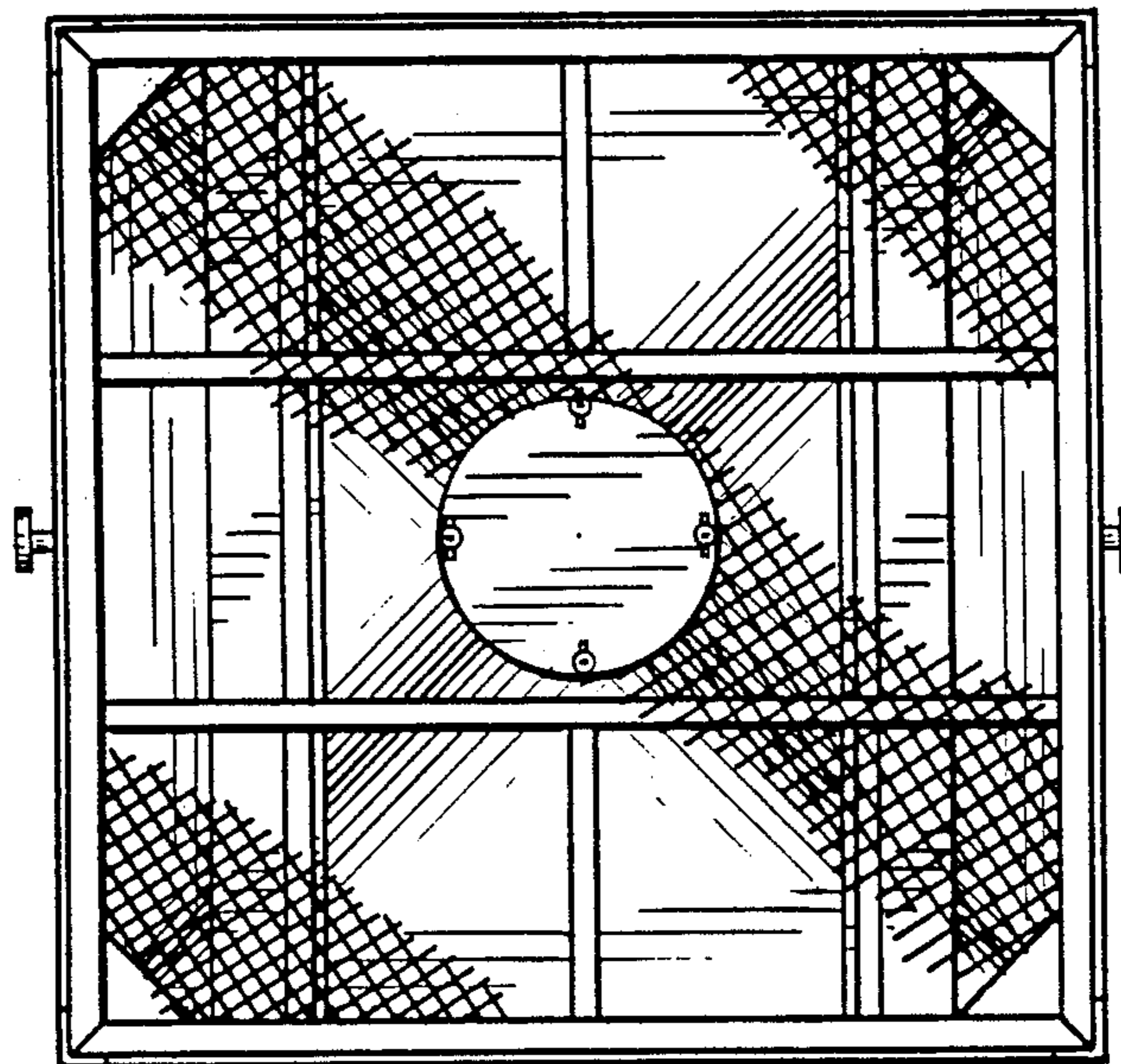
*Fig. 2.*



*Fig. 3.*



*Fig. 4.*



*Fig. 5.*

