

[54] **LOAD CARRYING CART BODY**

[76] **Inventor:** William E. Tuggle, 212 65th St.,
 Virginia Beach, Va. 23451

[**] **Term:** 14 Years

[21] **Appl. No.:** 701,333

[22] **Filed:** Feb. 13, 1985

[52] **U.S. Cl.** D34/24; 280/47.25

[58] **Field of Search** D34/24, 26, 27, 12;
 280/47.13 B, 47.18, 47.19, 47.25, 47.17;
 297/183; 312/250

FOREIGN PATENT DOCUMENTS

1098099 7/1955 France 280/47.24
 2515605 5/1983 France 280/47.13 B

Primary Examiner—James M. Gandy
Assistant Examiner—Kay H. Chin
Attorney, Agent, or Firm—Pollock, Vande Sande &
 Priddy

[57] **CLAIM**

The ornamental design for a load carrying cart body, as shown and described.

[56] **References Cited**

U.S. PATENT DOCUMENTS

1,268,631	6/1918	Schaeffer	297/183
3,035,847	5/1962	Born	280/36
3,603,608	9/1971	Kirkpatrick	280/47.13 R
3,754,772	8/1973	Carn	280/47.13 B
3,765,696	10/1973	Capron	280/47.25
3,804,432	4/1974	Lehrman	280/36 C
3,936,070	2/1976	Owings	280/47.25
4,049,283	9/1977	Brookes et al.	280/47.13 R
4,243,239	1/1981	Whitney	280/47.13 B
4,327,933	5/1982	Tuggle	280/414.2
4,362,307	12/1982	Nakatani	280/30
4,407,521	10/1983	Zeitlin	280/655
4,448,434	5/1984	Anderson	280/40
4,544,172	10/1985	Poulouin	280/47.13 B

DESCRIPTION

FIG. 1 is a perspective view of a load carrying cart body showing my new design;
 FIG. 2 is a side elevational view thereof;
 FIG. 3 is a rear elevational view thereof;
 FIG. 4 is a top plan view thereof;
 FIG. 5 is a front elevational view thereof;
 FIG. 6 is a front elevational view thereof, in its collapsed condition;
 FIG. 7 is a perspective view of a load carrying cart body showing a second embodiment;
 FIG. 8 is a side elevational view of FIG. 7.
 The broken lines shown in FIGS. 1 through 8 are for illustrative purposes only and form no part of the claimed design.

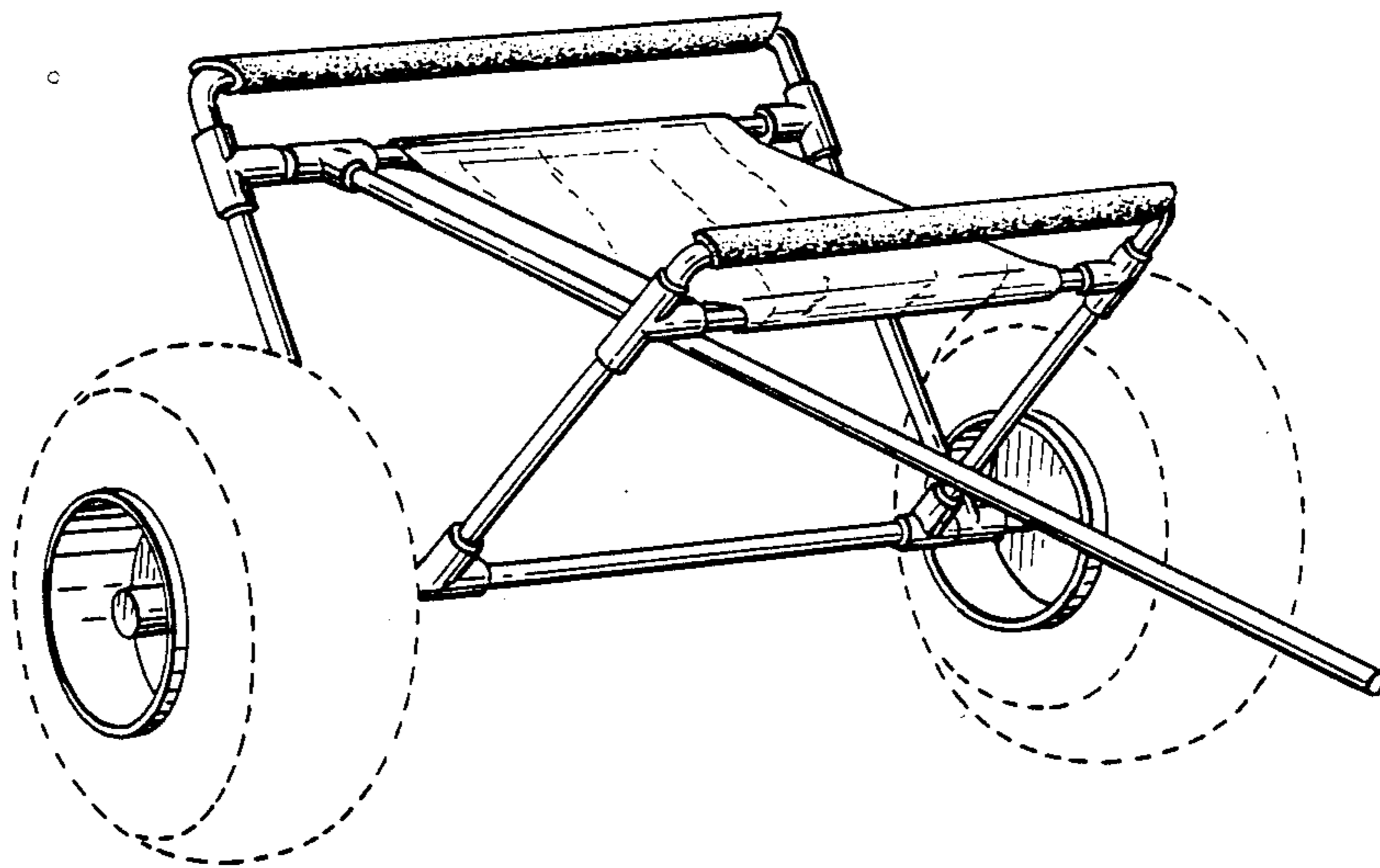


FIG. 1

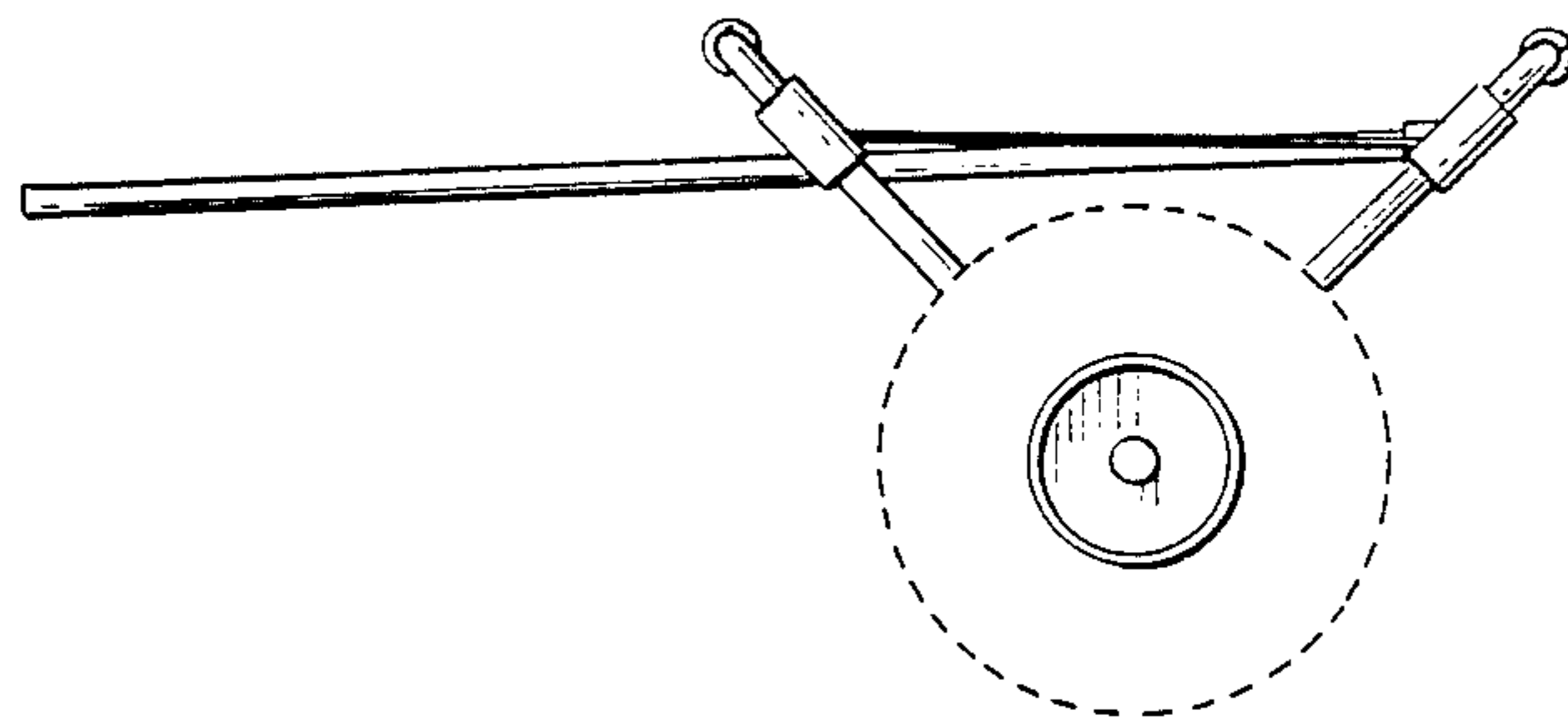
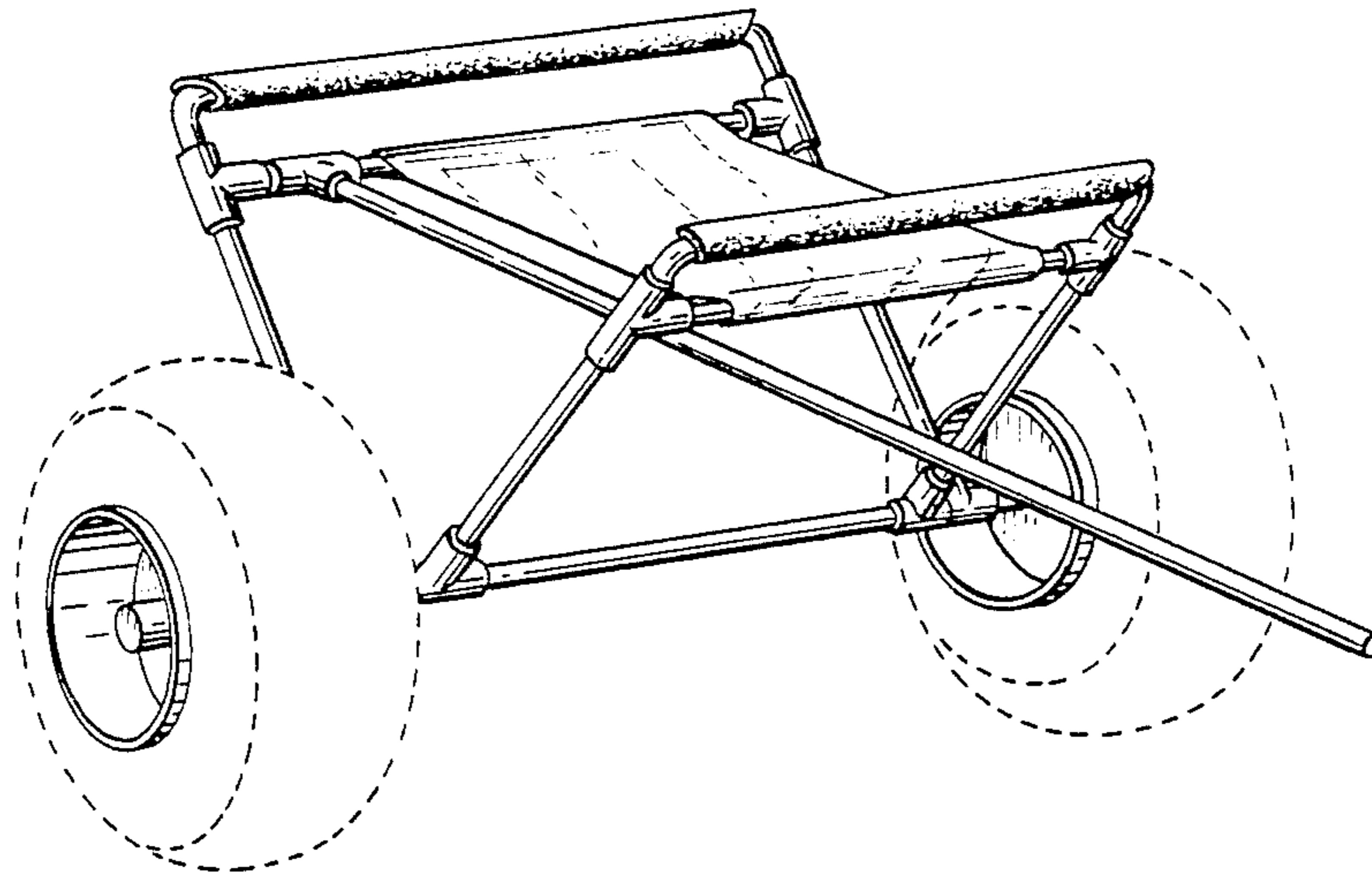


FIG. 2

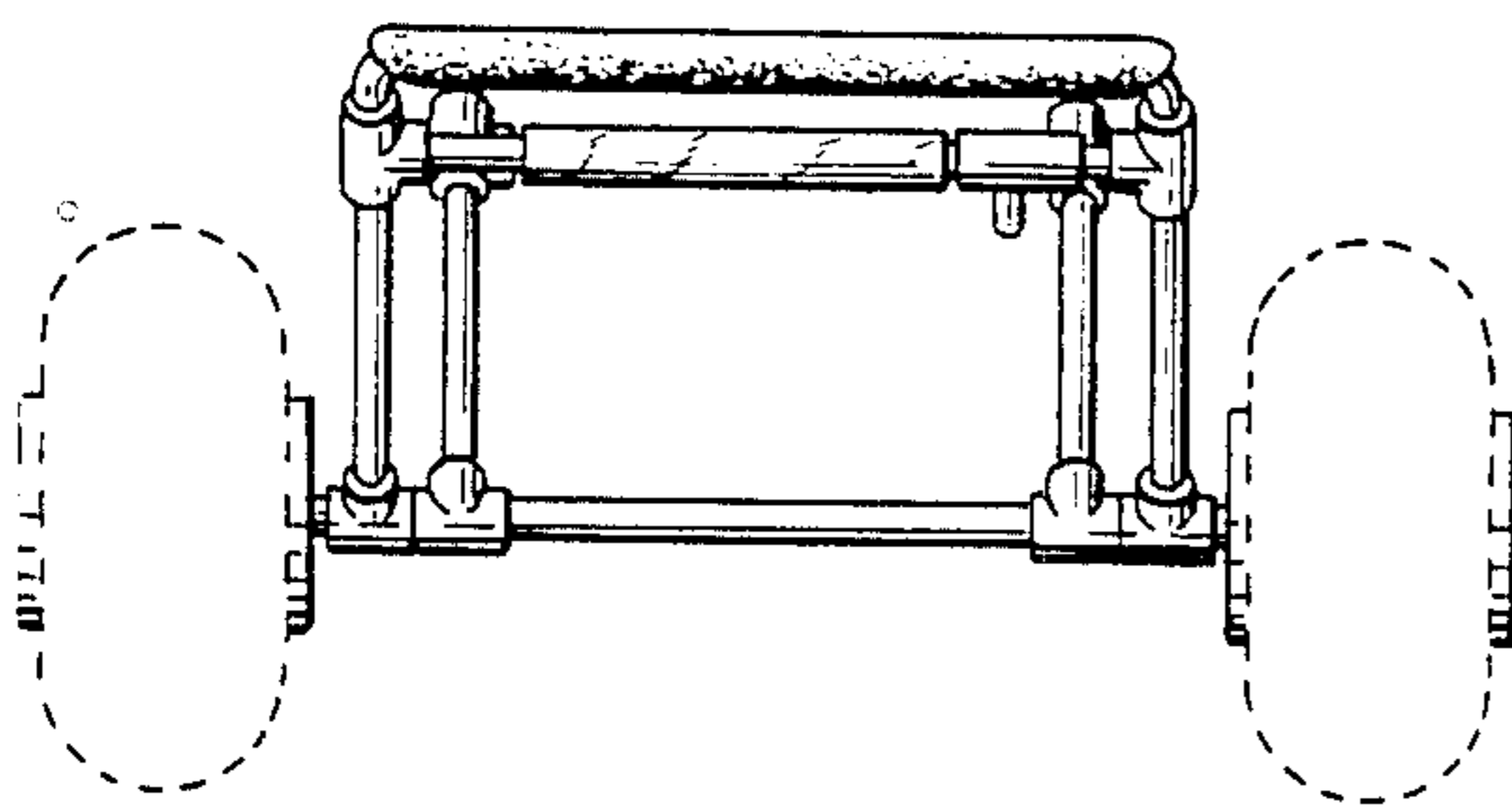


FIG. 3

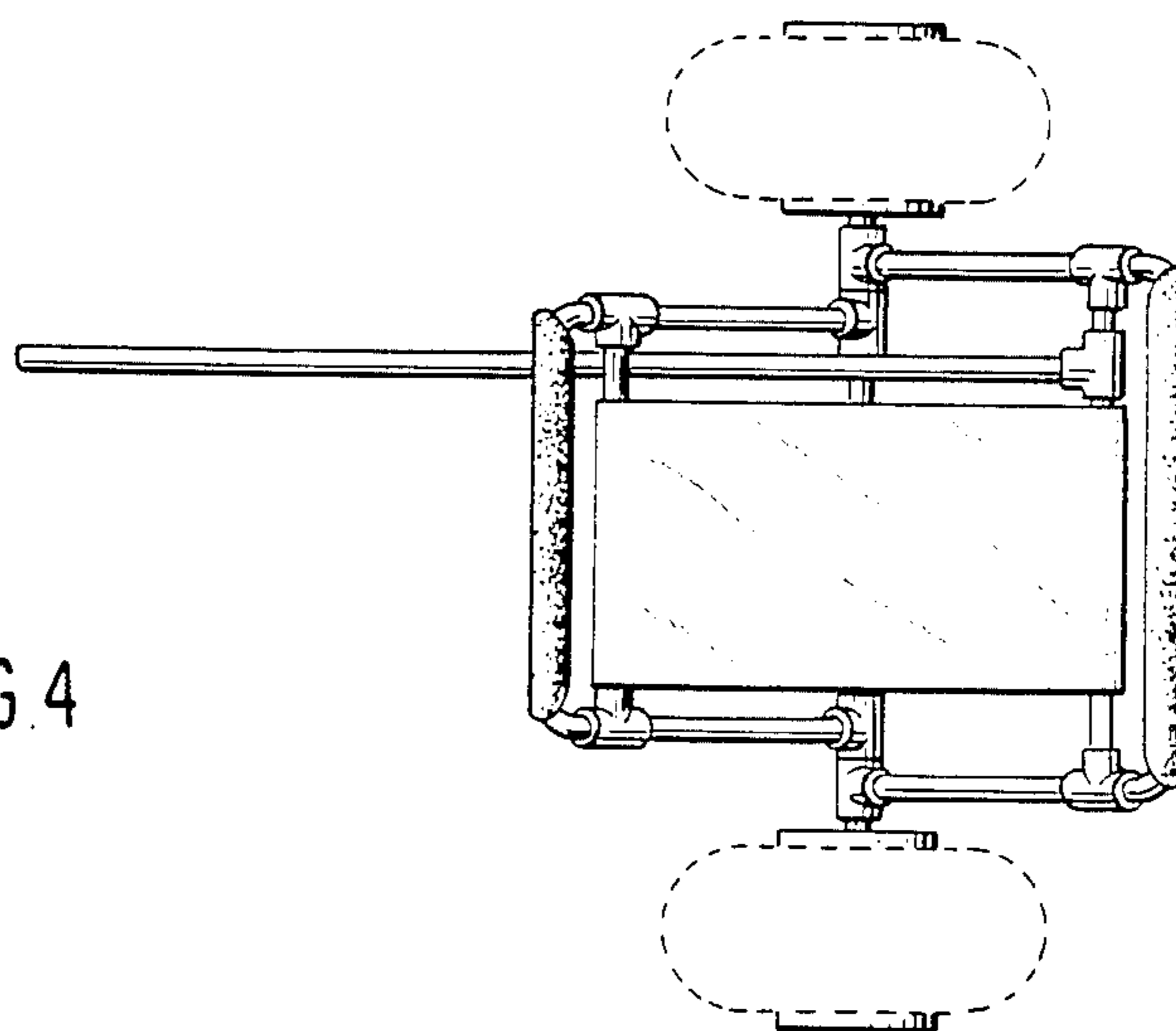


FIG. 4

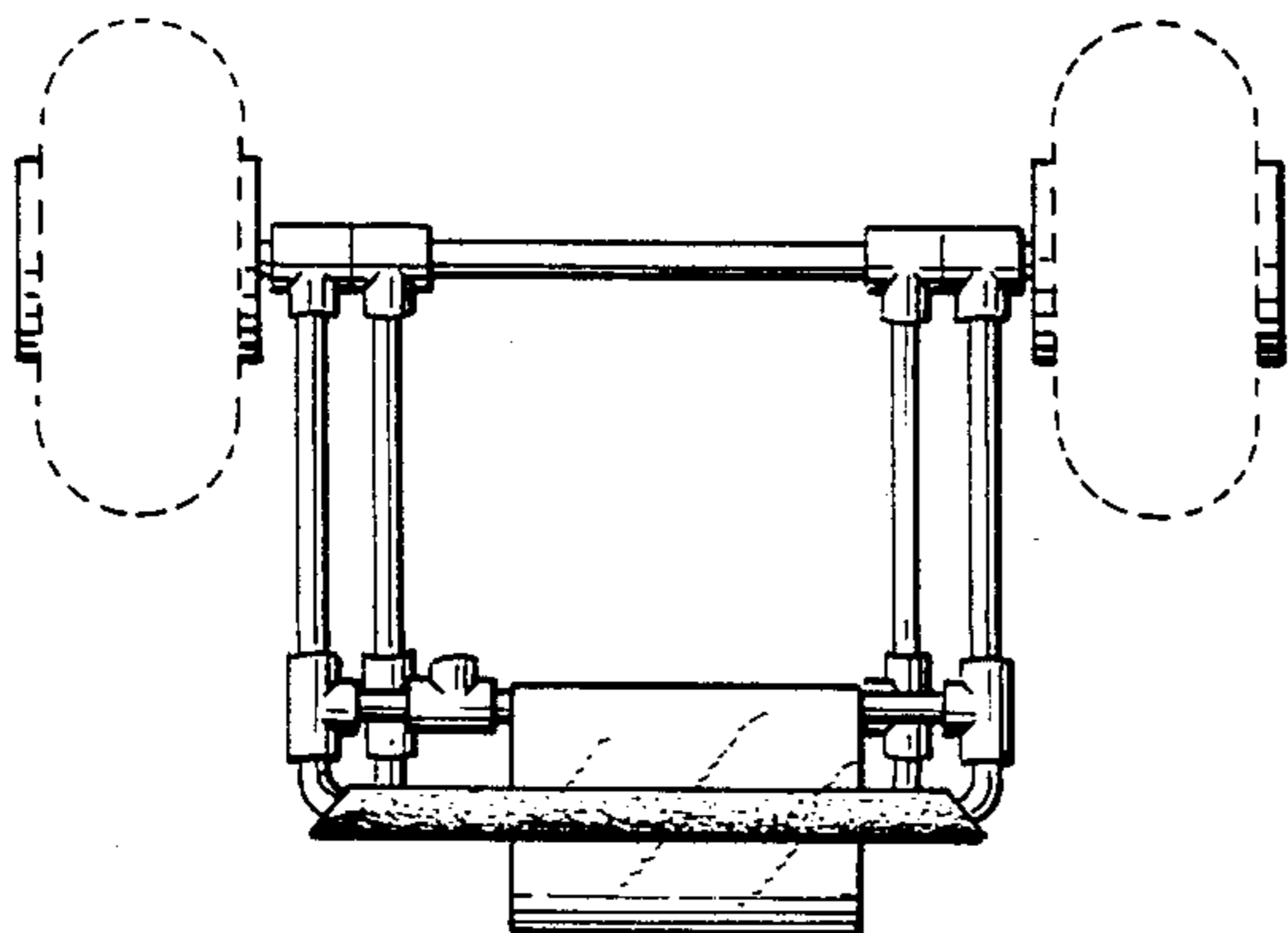


FIG. 6

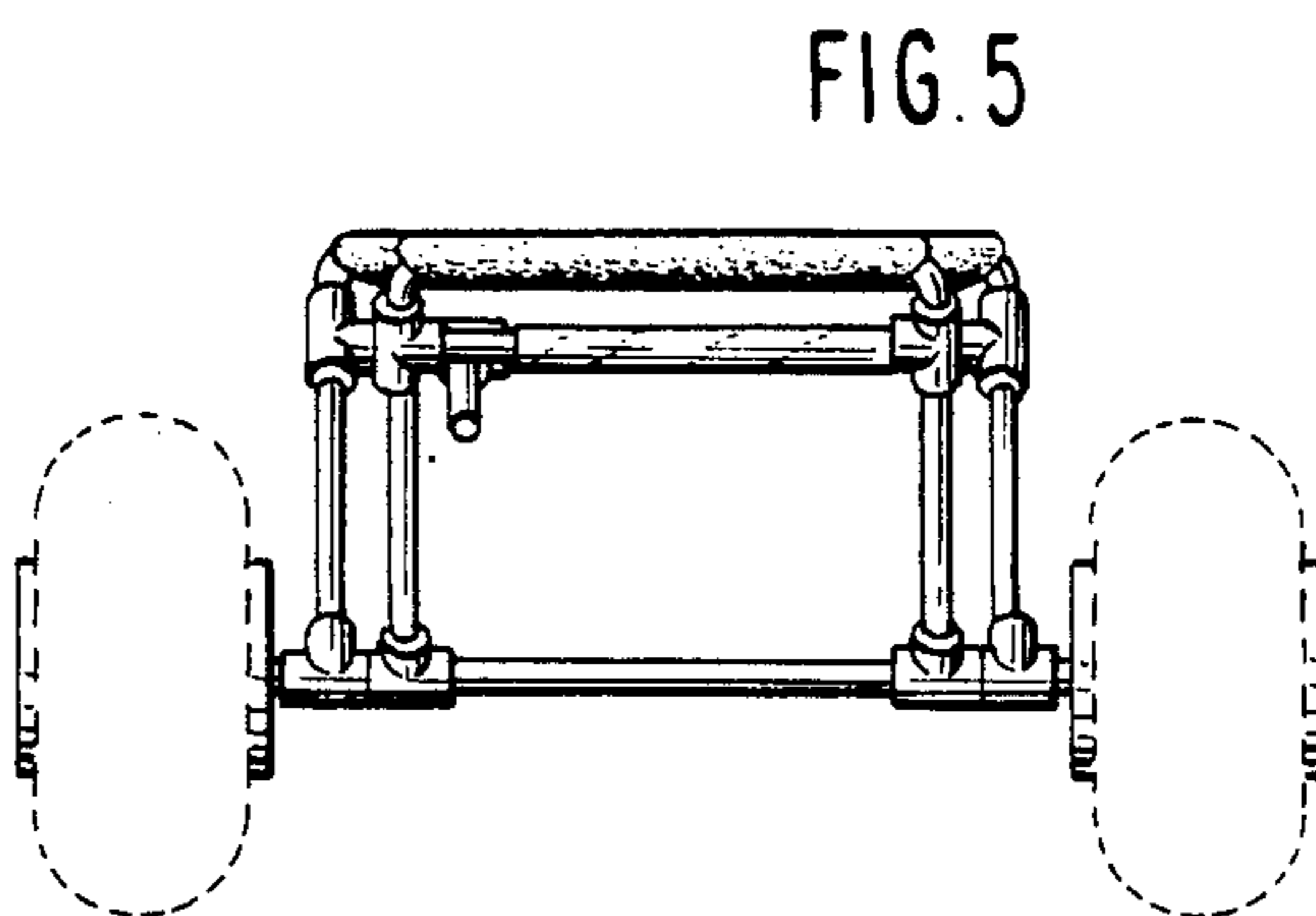


FIG. 5

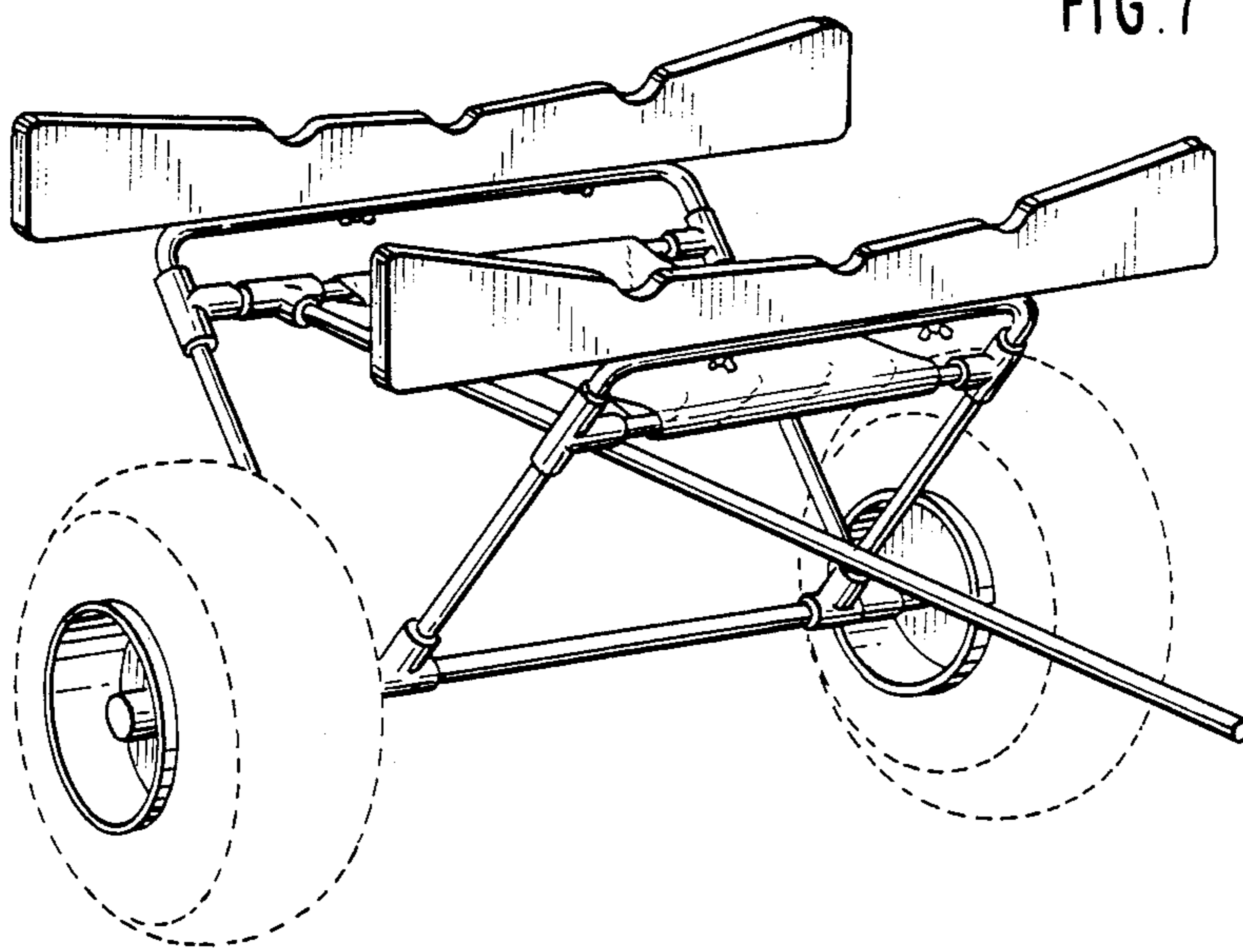


FIG. 7

FIG. 8

