

United States Patent [19]

Talton et al.

[11] Patent Number: Des. 295,100

[45] Date of Patent: ** Apr. 5, 1988

[54] ELECTRICIAN'S WIRE DISPENSING CART

[76] Inventors: David B. Talton; Josh Talton, both of
Rte. 6, Box 240, Raleigh, N.C. 27612

[*] Notice: The portion of the term of this patent
subsequent to Jan. 5, 1999 has been
disclaimed.

[**] Term: 14 Years

[21] Appl. No.: 219,965

[22] Filed: Dec. 24, 1980

[52] U.S. Cl. D34/24

[58] Field of Search D34/24, 26; 280/47.13,
280/47.17, 47.19, 47.24

[56] References Cited

U.S. PATENT DOCUMENTS

D. 145,505 9/1946 Beidelman, Jr. 280/42.24
D. 219,810 2/1971 Mitchell D34/24
D. 227,880 7/1973 Steinhoff et al. D34/24
D. 242,537 11/1976 Marcell D34/24

Primary Examiner—James M. Gandy

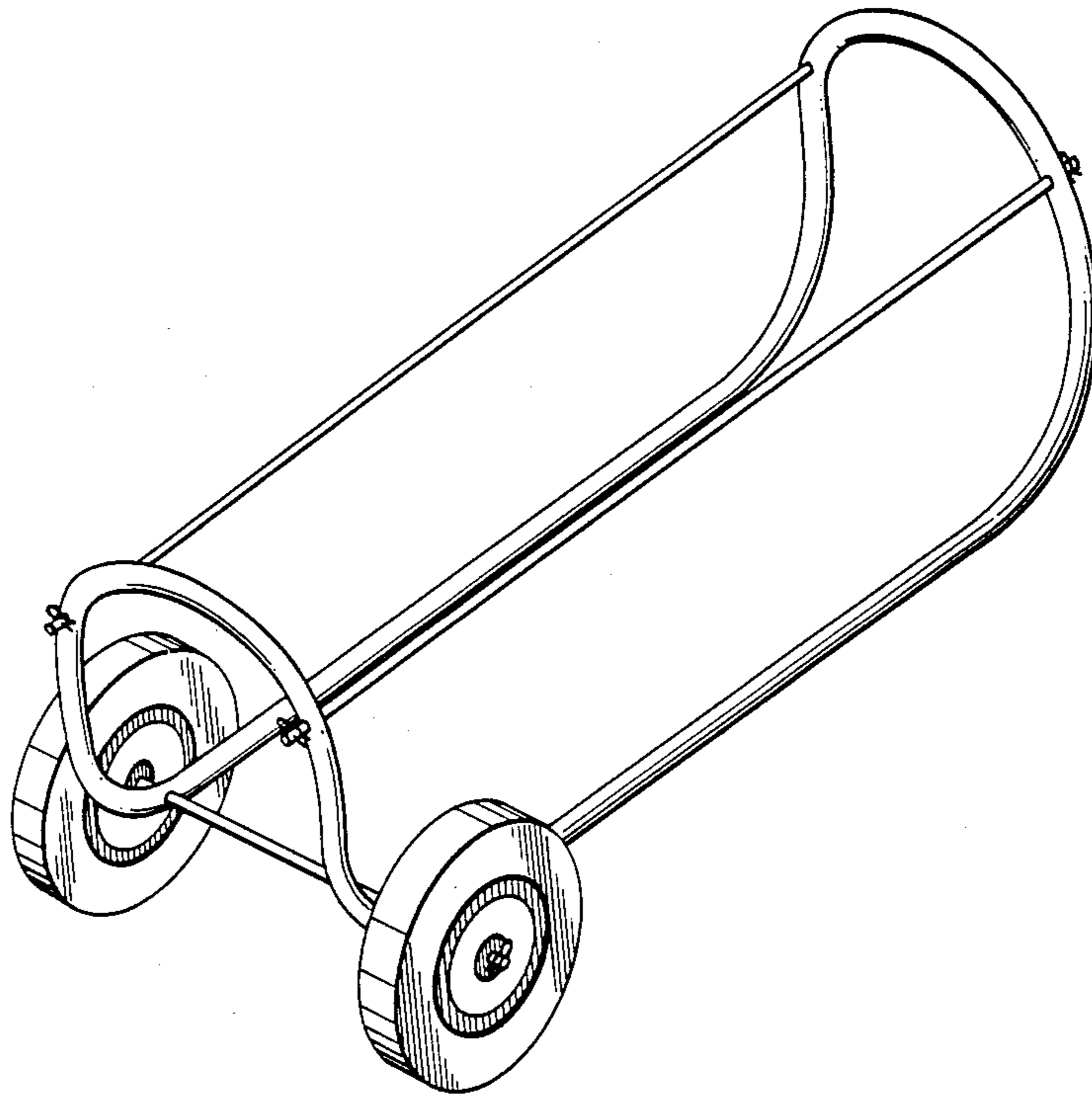
Attorney, Agent, or Firm—Mills & Coats

[57] CLAIM

The ornamental design for a electrician's wire dispensing cart, as shown.

DESCRIPTION

FIG. 1 is a isometric view.



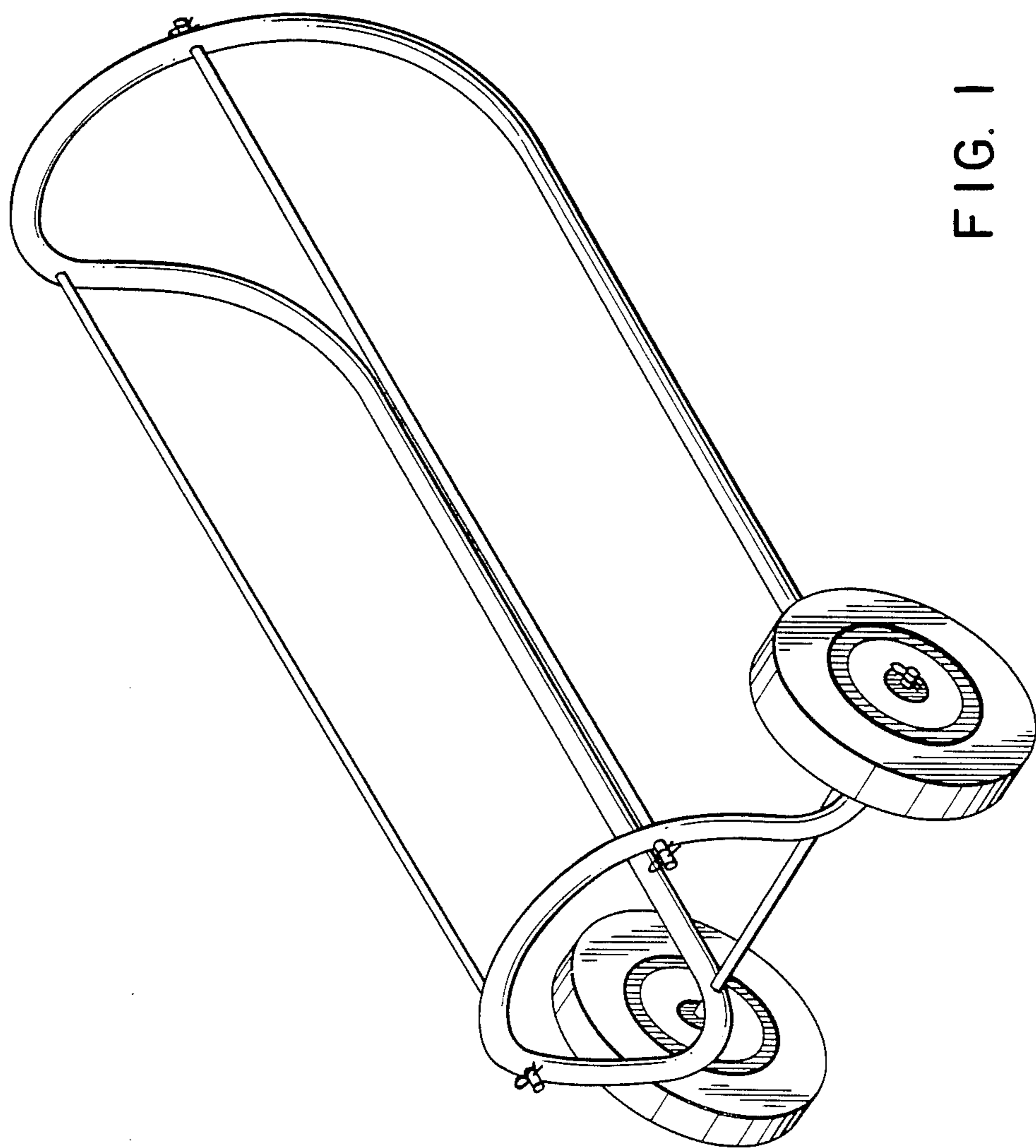


FIG. 1