

[54] COLLAPSIBLE UTILITY CART

[75] Inventor: Paul E. Delmerico, Winchester, Va.

[73] Assignee: Rubbermaid Commercial Products, Inc., Winchester, Va.

[**] Term: 14 Years

[21] Appl. No.: 774,769

[22] Filed: Sep. 11, 1985

[52] U.S. Cl. D34/17; D6/449; D6/429; 280/641

[58] Field of Search D34/12, 17, 21, 23; D6/449, 429; 211/200; 280/35, 641, 642, 651

[56] References Cited

U.S. PATENT DOCUMENTS

3,106,409	10/1963	Berlin	D34/17
3,633,932	1/1972	Holden	280/641
4,549,748	10/1985	Haley, Sr.	280/641
4,655,466	4/1987	Hanaoka	280/35

FOREIGN PATENT DOCUMENTS

610429	10/1948	United Kingdom	211/200
--------	---------	----------------	-------	---------

OTHER PUBLICATIONS

Continental Plastics brochure, p. 18, Model 51 & 54, (lower center).

Lab Safety Supply, Safety Equip. & Supplies, 1987 General Cat., p. 99, X-Frame Cart.

Library & Audiovisual Equip. & Supplies, p. 61, 1985/1986 Cat., 28L, "Hanging File X-Rock".

Sell Sheet for #49 Waste Cart, Continental Manufactur-

ing Company, 1101 Warson Road, St. Louis, Mo. 63132, published 1982.

P. 19 of Product Catalog of White Mop Wringer Co., P.O. Box 277, Fultonville, N.Y. 12072, published 1982.

Sell Sheet for "Waste Mobiles", Walton, Mar. 1620 Old Deerfield Road, Box 340, Highland Park, Il. 60035, published 1982.

Page 8 of Bennett Product Catalog, Bennett Manufacturing Co., Alden, N.Y. 14004, published 1982.

Page 18 of Geerpress Product Catalog, Geerpress Company, 1780 Harvey Street, Box 658, Muskegon, Mi. 49443, published 1982.

Sell Sheet Model C-550, Atlas Division of Atco Corp., 1830 N. Lamon Avenue, Chicago, Il. 60631, published 1982.

Page 10 Steerwood Catalog, Steerwood Industries Inc., 50-05 Metropolitan Ave., Brooklyn, N.Y. 11237, published 1982.

Hardman Catalog, Hardman Company, P. O. Box 9848, Marina Del Ray, Calif. 90291, published 1982.

Primary Examiner—James M. Gandy

Assistant Examiner—Kay H. Chin

Attorney, Agent, or Firm—Richard B. O'Planick

[57] CLAIM

The ornamental design for a collapsible utility cart, as shown and described.

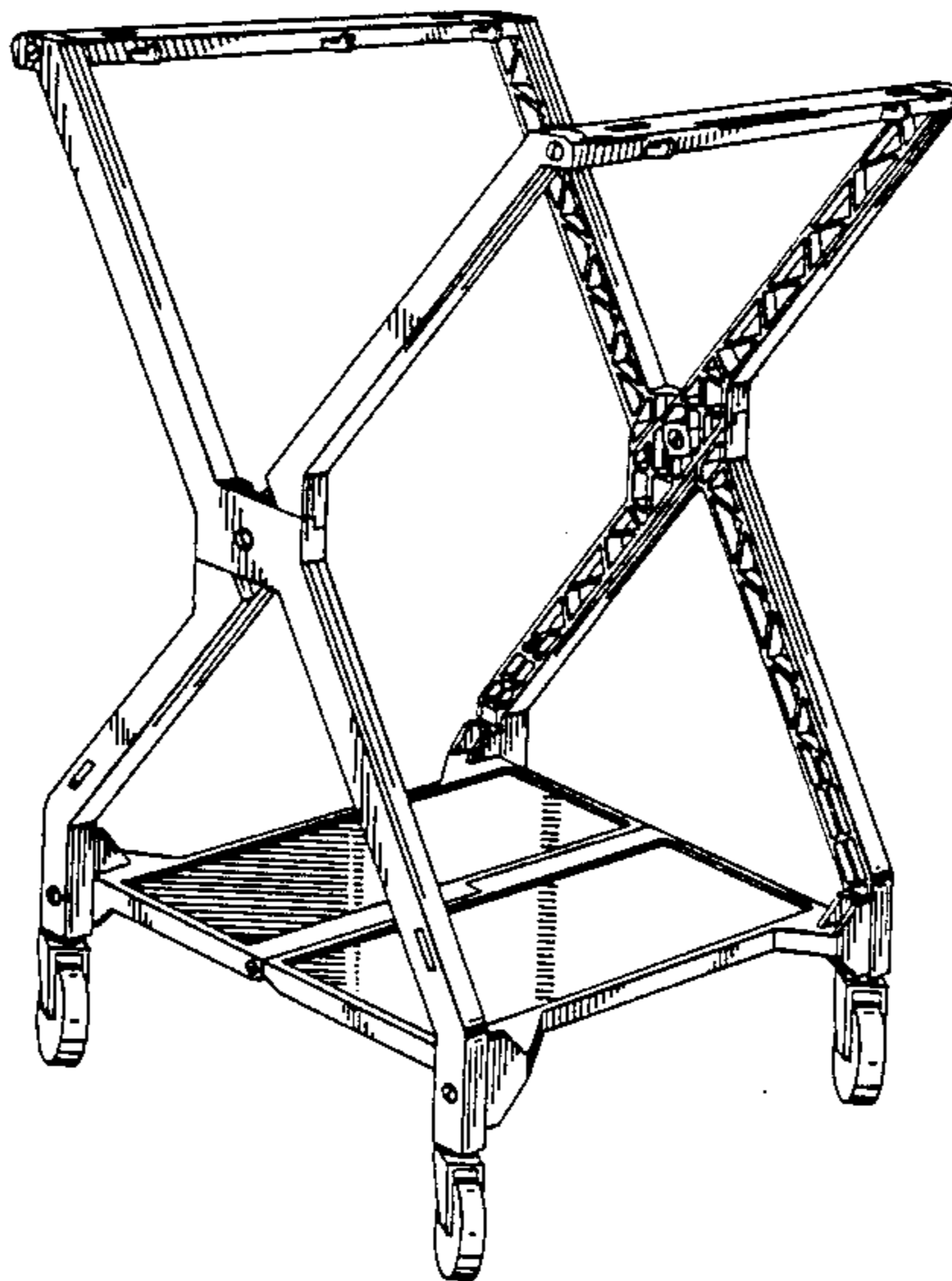
DESCRIPTION

FIG. 1 is a perspective view of a collapsible utility cart embodying my new design, shown in the free standing condition.

FIG. 2 is a side elevational view thereof.

FIG. 3 is a top plan view thereof.

FIG. 4 is a front elevational view thereof.



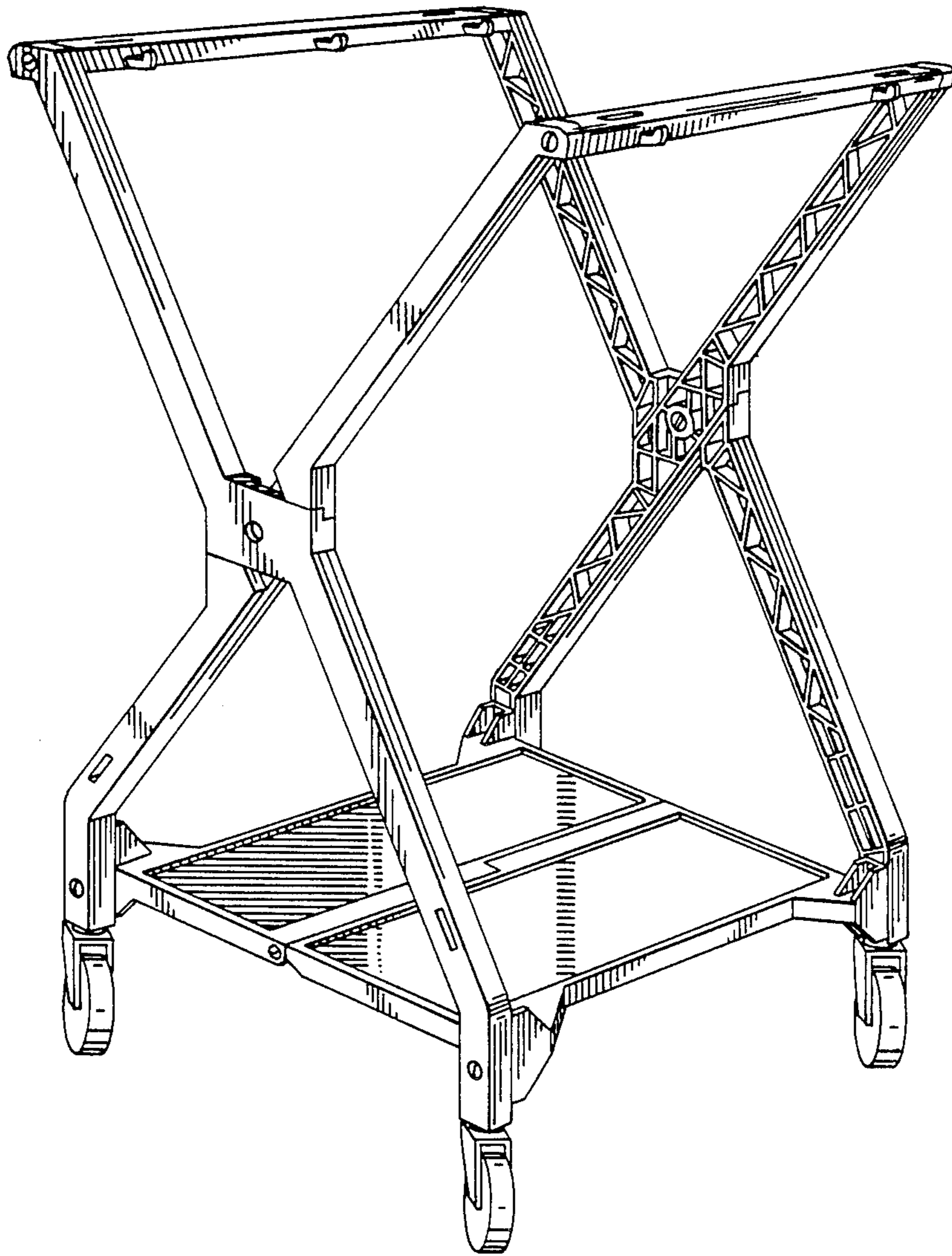


FIG. 1

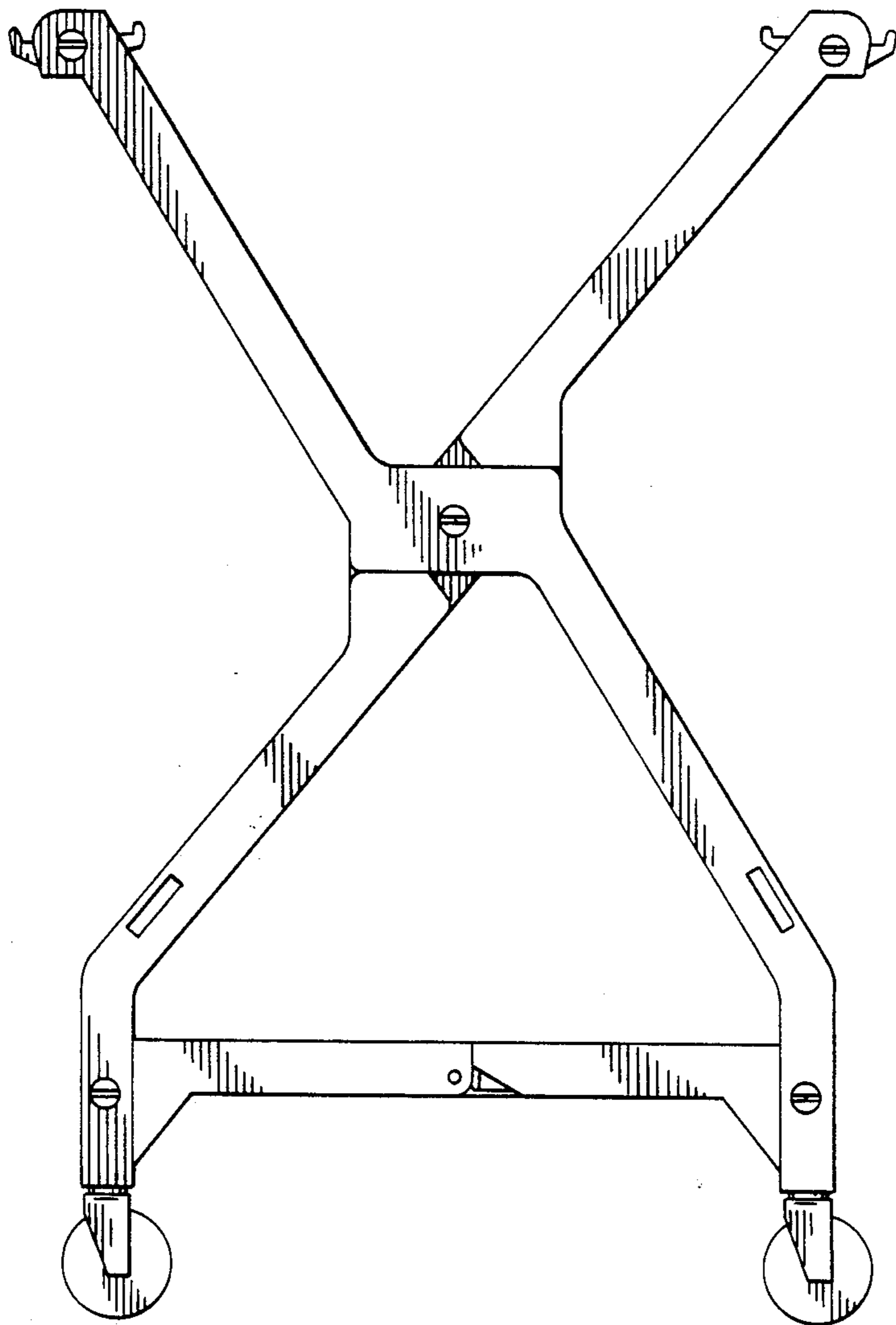
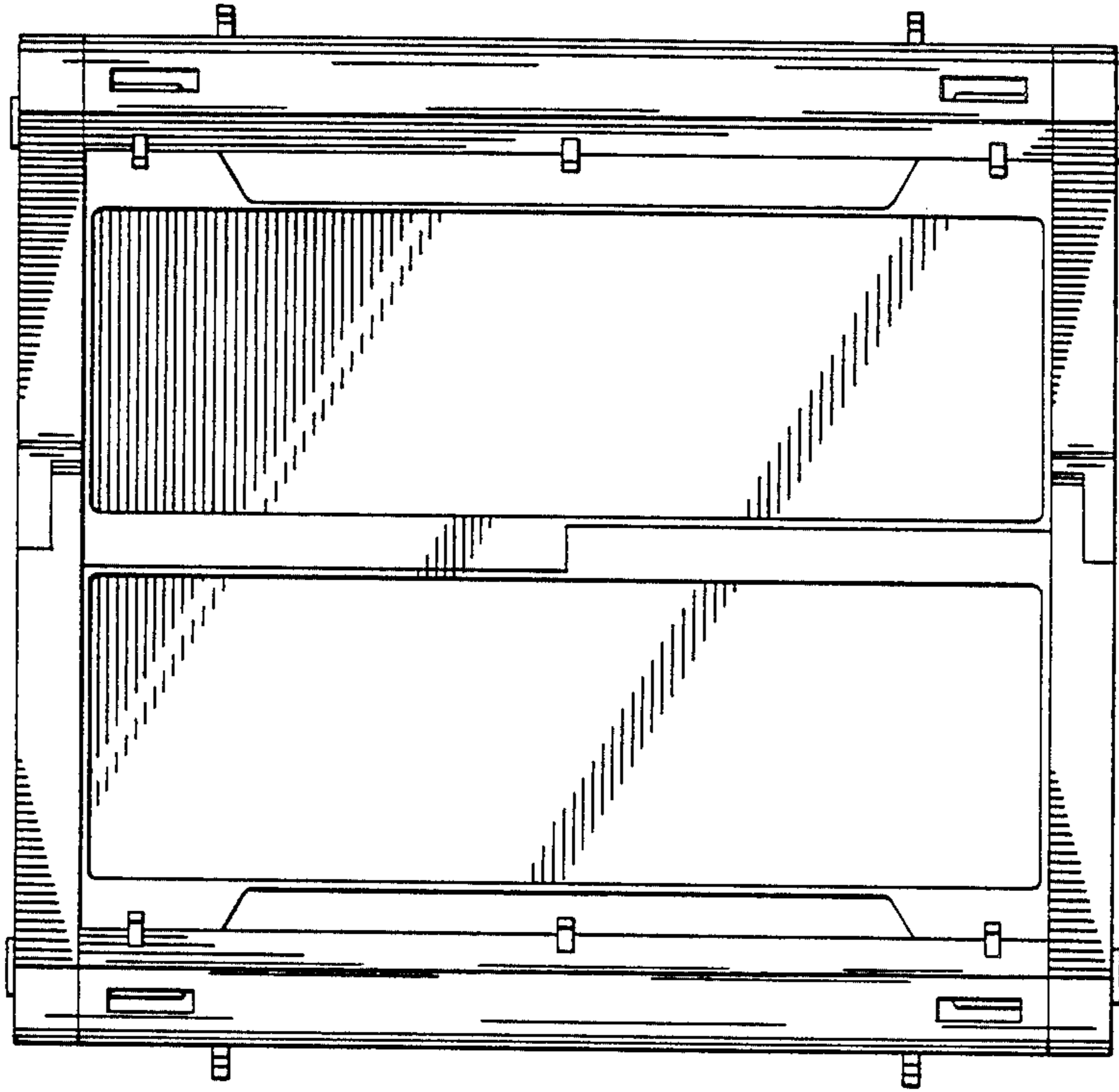


FIG. 2

FIG. 3



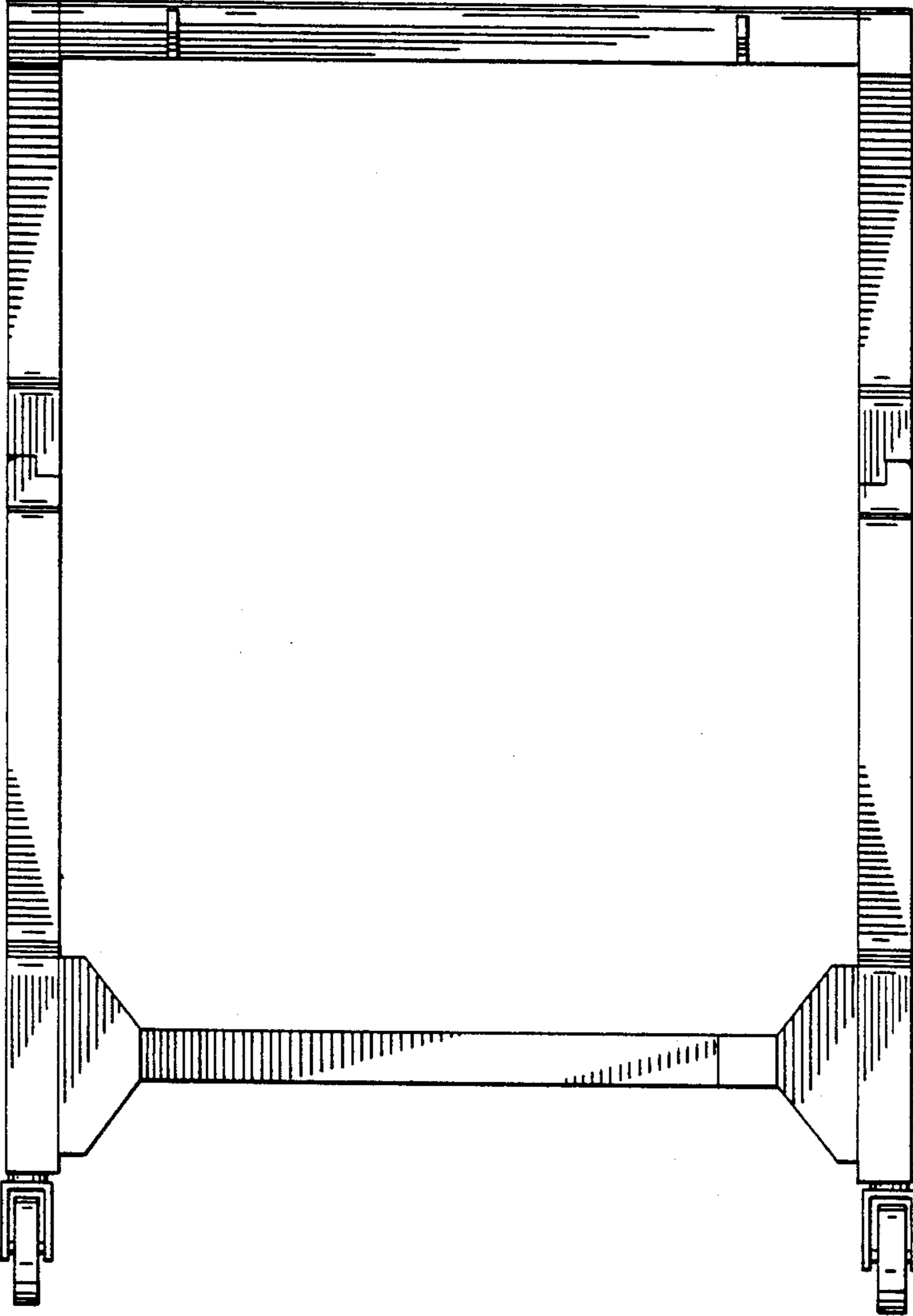


FIG. 4