

[54] **DUMP CART**

[76] **Inventor: Paul R. Smith, 3507 Durham,
Brownwood, Tex. 76801**

[**] **Term: 14 Years**

[21] **Appl. No.: 613,669**

[22] **Filed: May 24, 1984**

[52] **U.S. Cl. D34/5; D34/25**

[58] **Field of Search D34/5, 3, 1, 8, 24,
D34/25, 7; 280/47.26, 47.34, 63; 312/250;
248/129; 220/1 T; 296/101**

[56] **References Cited**

U.S. PATENT DOCUMENTS

831,428 9/1906 Guiry 296/101
2,926,923 3/1960 Browne 280/47.26
2,938,748 5/1960 Johnson 248/129

3,866,936 2/1975 Hedges 220/1 T
4,048,735 9/1977 Brunty 280/47.26
4,417,765 11/1983 Wirsbinski 280/63

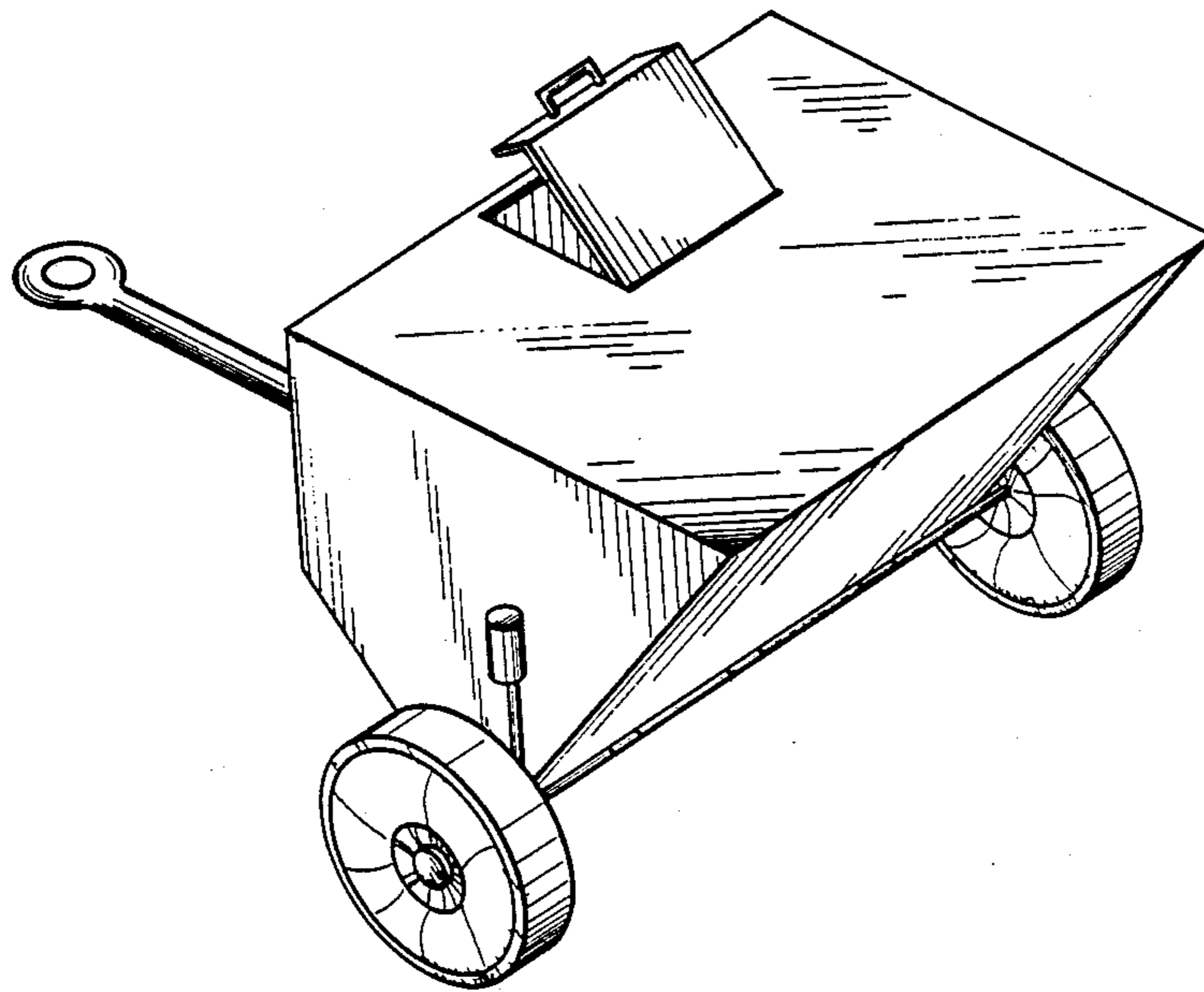
*Primary Examiner—James M. Gandy
Assistant Examiner—Kay H. Chin
Attorney, Agent, or Firm—Gilden & Israel*

[57] **CLAIM**

The ornamental design for a dump cart, as shown.

DESCRIPTION

FIG. 1 is a perspective view of a dump cart showing my new design;
FIG. 2 is a rear elevational view thereof;
FIG. 3 is a left side elevational view thereof;
FIG. 4 is a right side elevational view thereof;
FIG. 5 is a top plan view thereof;
FIG. 6 is a bottom plan view thereof; and,
FIG. 7 is a front elevational view thereof.



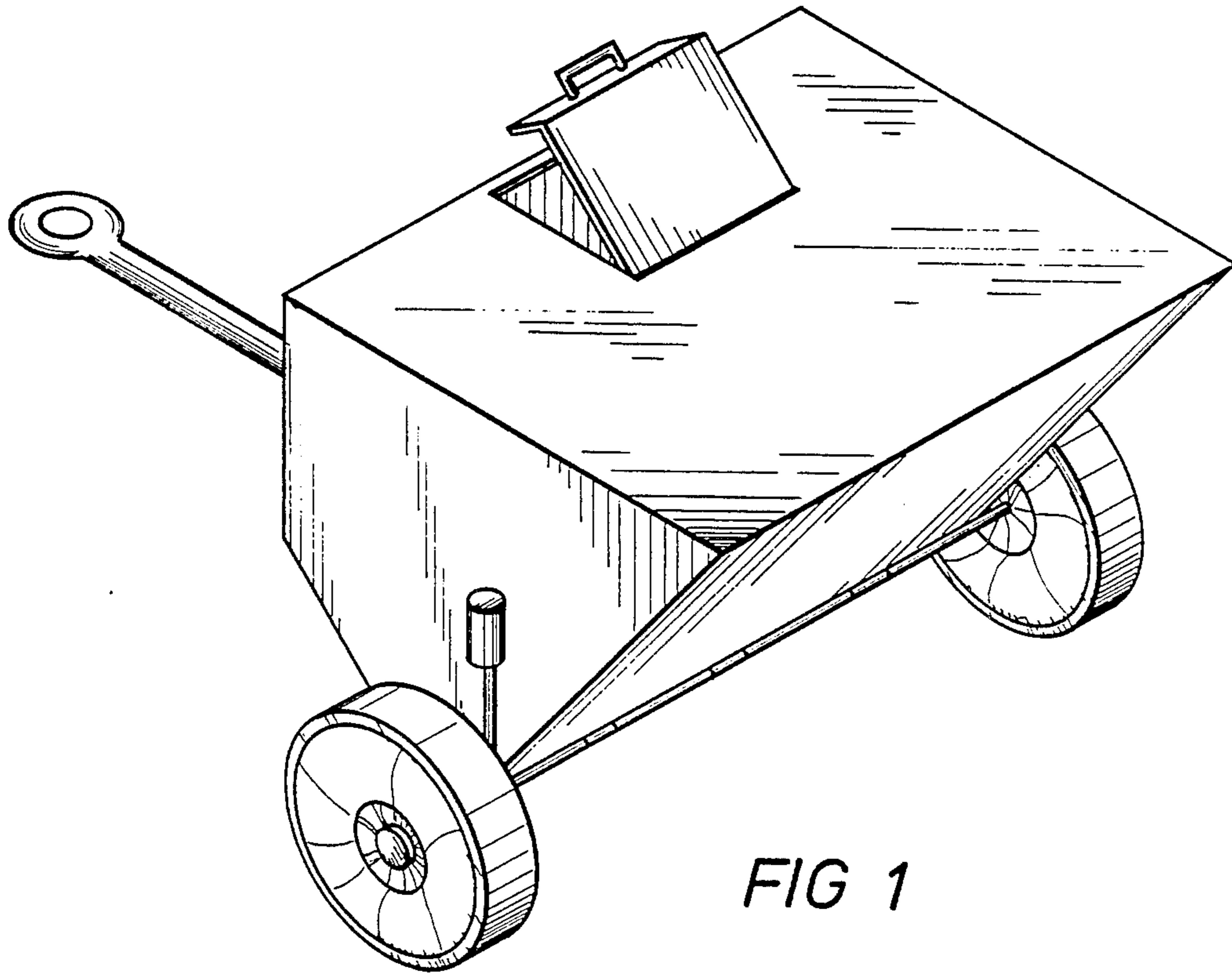
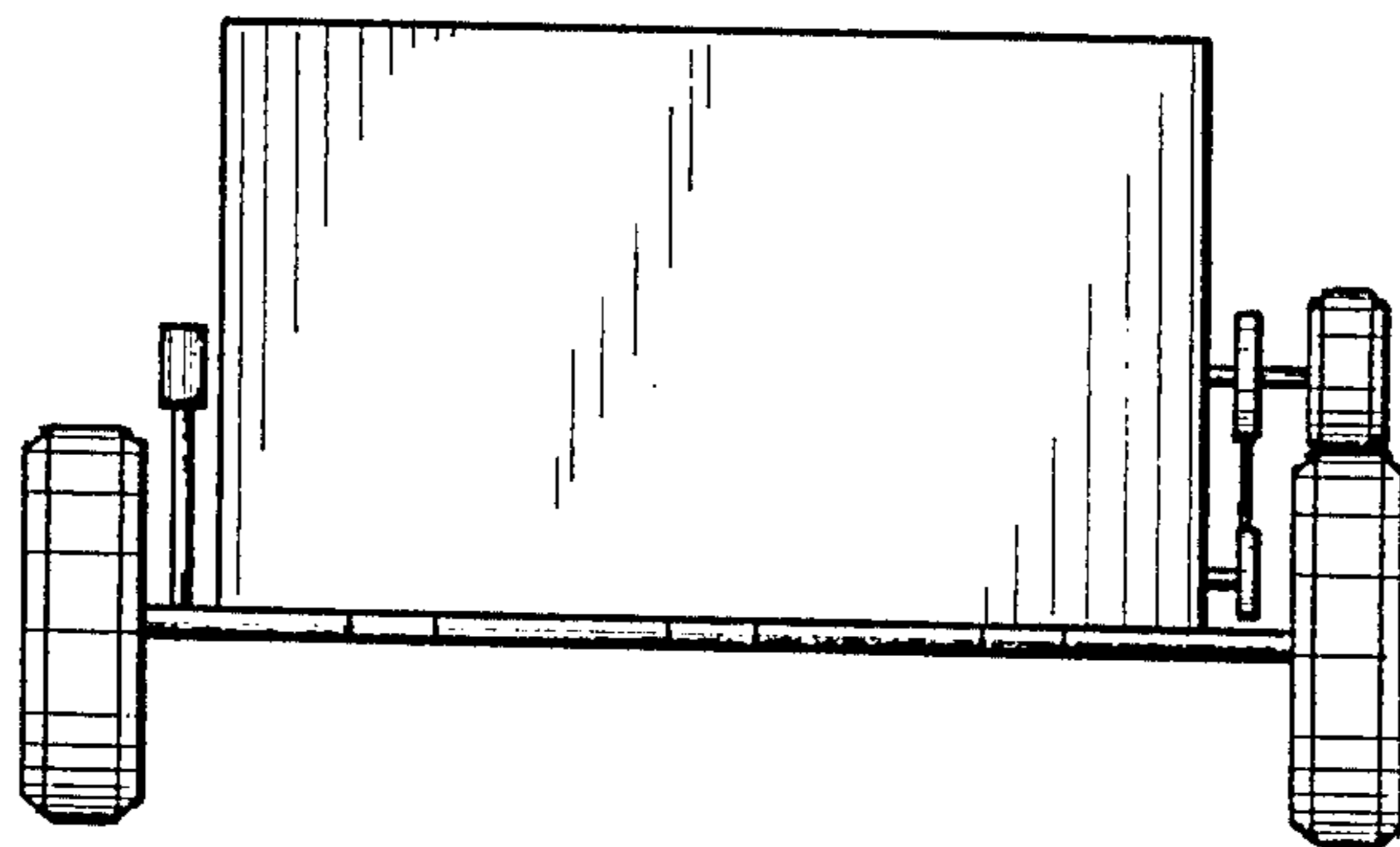


FIG 1

FIG 2



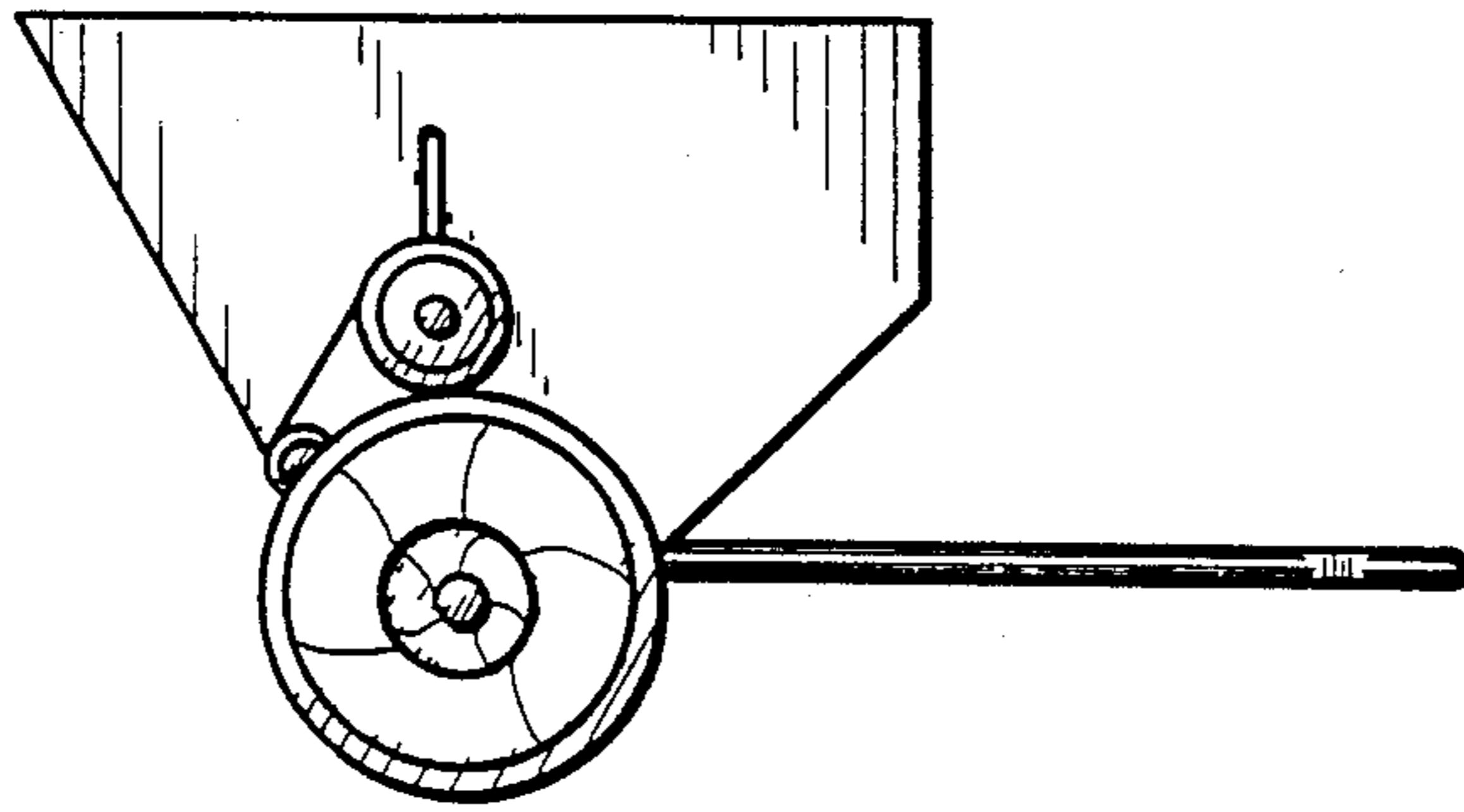


FIG 3

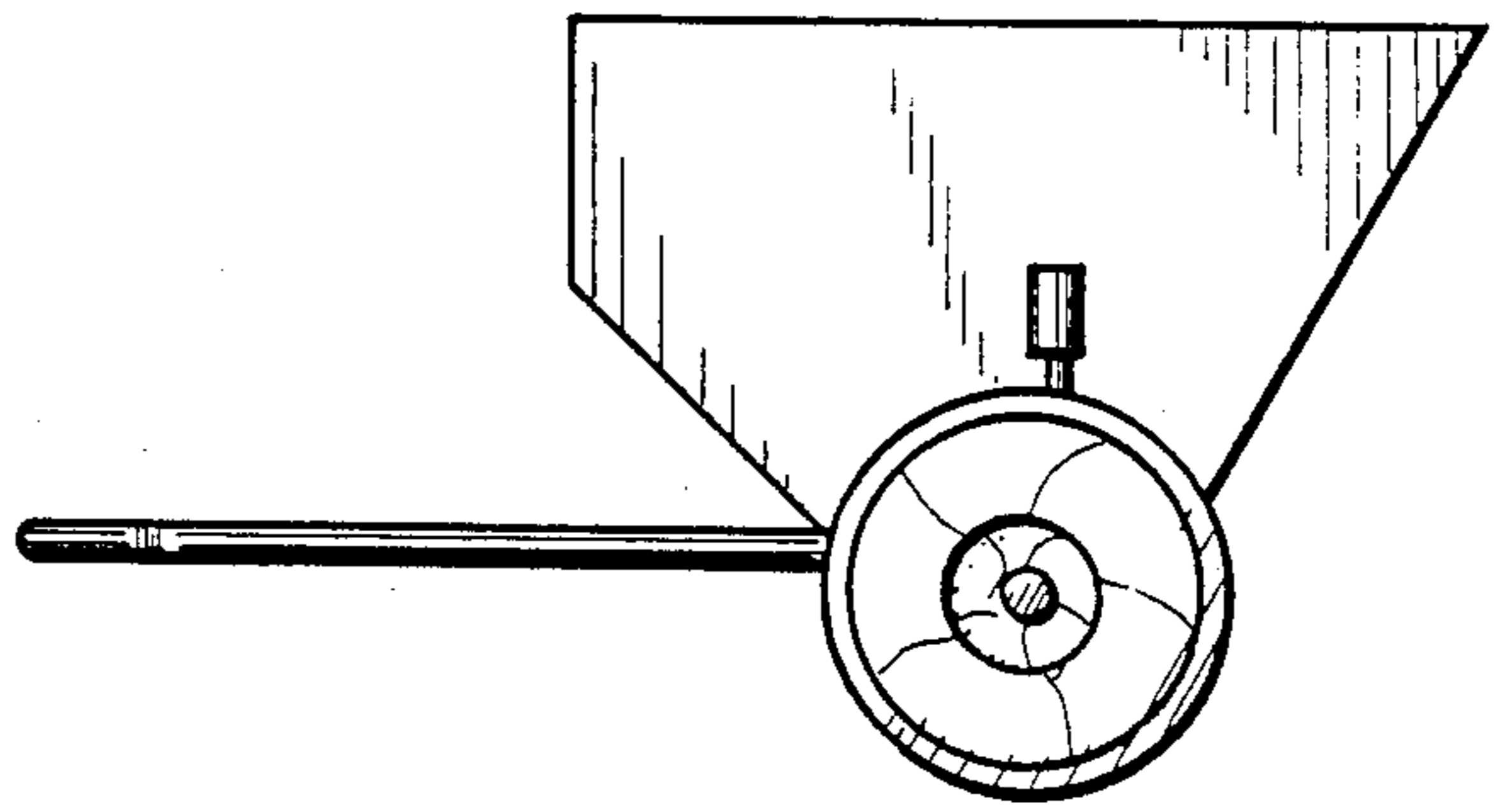


FIG 4

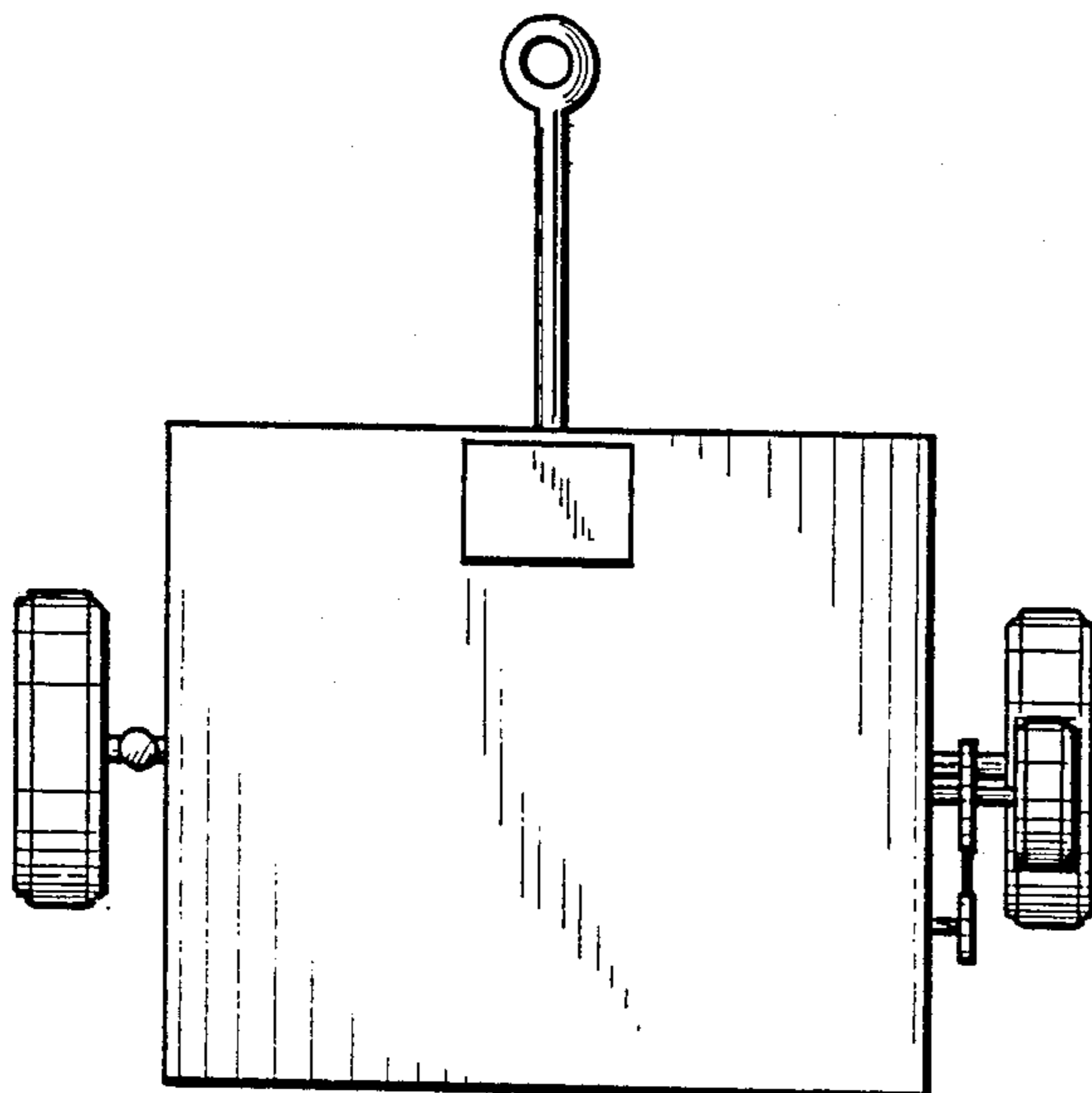


FIG 5

FIG 7

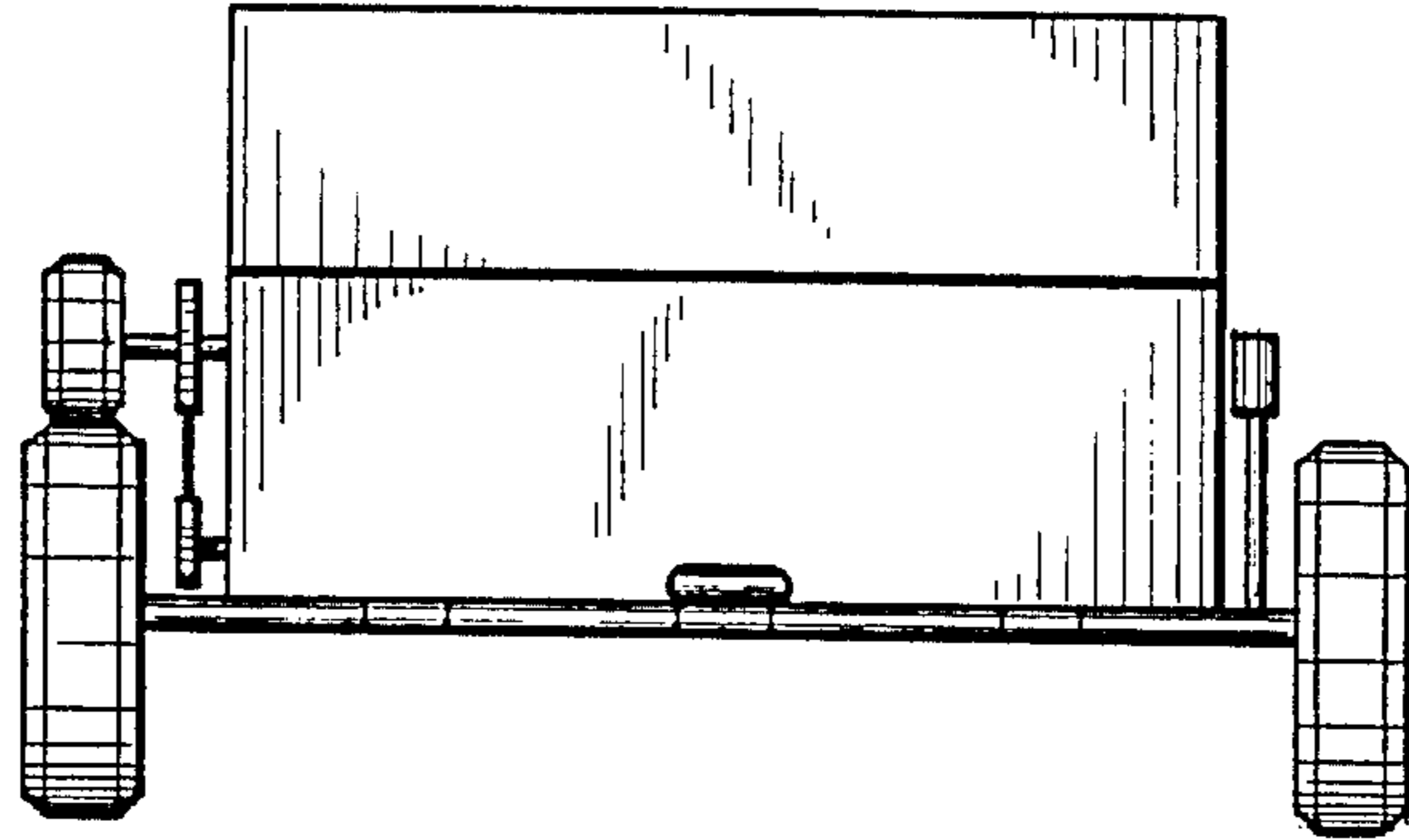


FIG 6

