

[54] ELECTRIC IRON WITH BLOWER
[76] Inventor: Wang C. Hsiang, No. 12, Lane 450 Li Jen Road, Tainan, Taiwan
[**] Term: 14 Years
[21] Appl. No.: 877,982
[22] Filed: Jun. 24, 1986
[52] U.S. Cl. D32/69
[58] Field of Search D32/68-72;
38/69, 74, 75, 77.1-77.9, 88, 94, 96, 142;
219/245-259, 271-276

D. 236,078 7/1975 Shalvoy D32/69
D. 279,416 6/1985 Chan D32/69
D. 283,744 5/1986 Watanabe et al. D32/69

Primary Examiner—Catherine E. Kemper
Attorney, Agent, or Firm—Poms, Smith, Lande & Rose

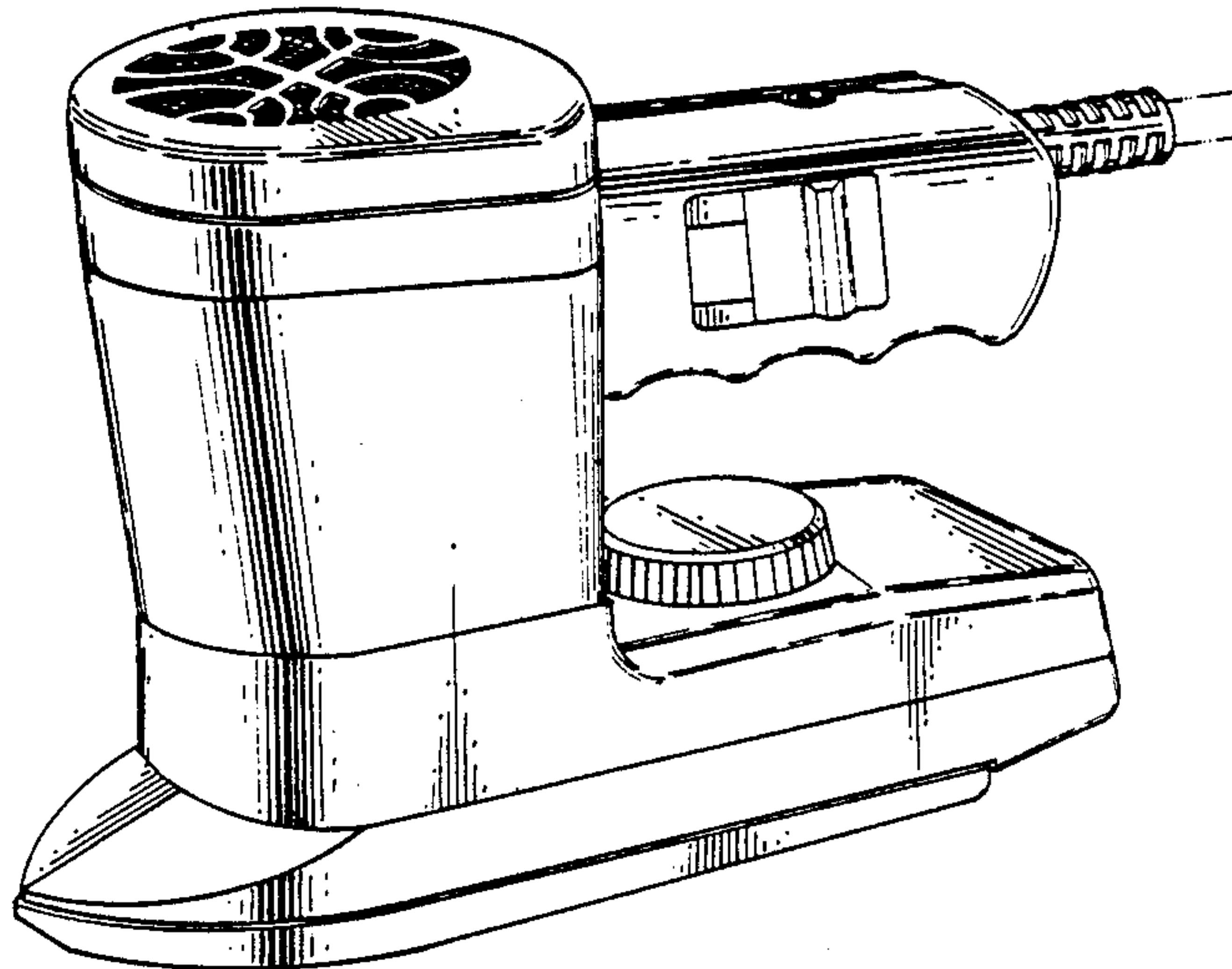
[57] CLAIM

The ornamental design for an electric iron with blower, as shown and described.

DESCRIPTION

FIG. 1 is a front elevational view of an electric iron with blower showing my new design;
FIG. 2 is a rear elevational view thereof;
FIG. 3 is a right side elevational view thereof;
FIG. 4 is a left side elevational view thereof;
FIG. 5 is a top plan view thereof;
FIG. 6 is a bottom plan view thereof;
FIG. 7 is a perspective view thereof.

[56] References Cited
U.S. PATENT DOCUMENTS
D. 155,666 10/1949 Wilson D32/69
D. 214,585 7/1969 Benjamin D32/69
D. 230,458 2/1974 Hall et al. D32/69



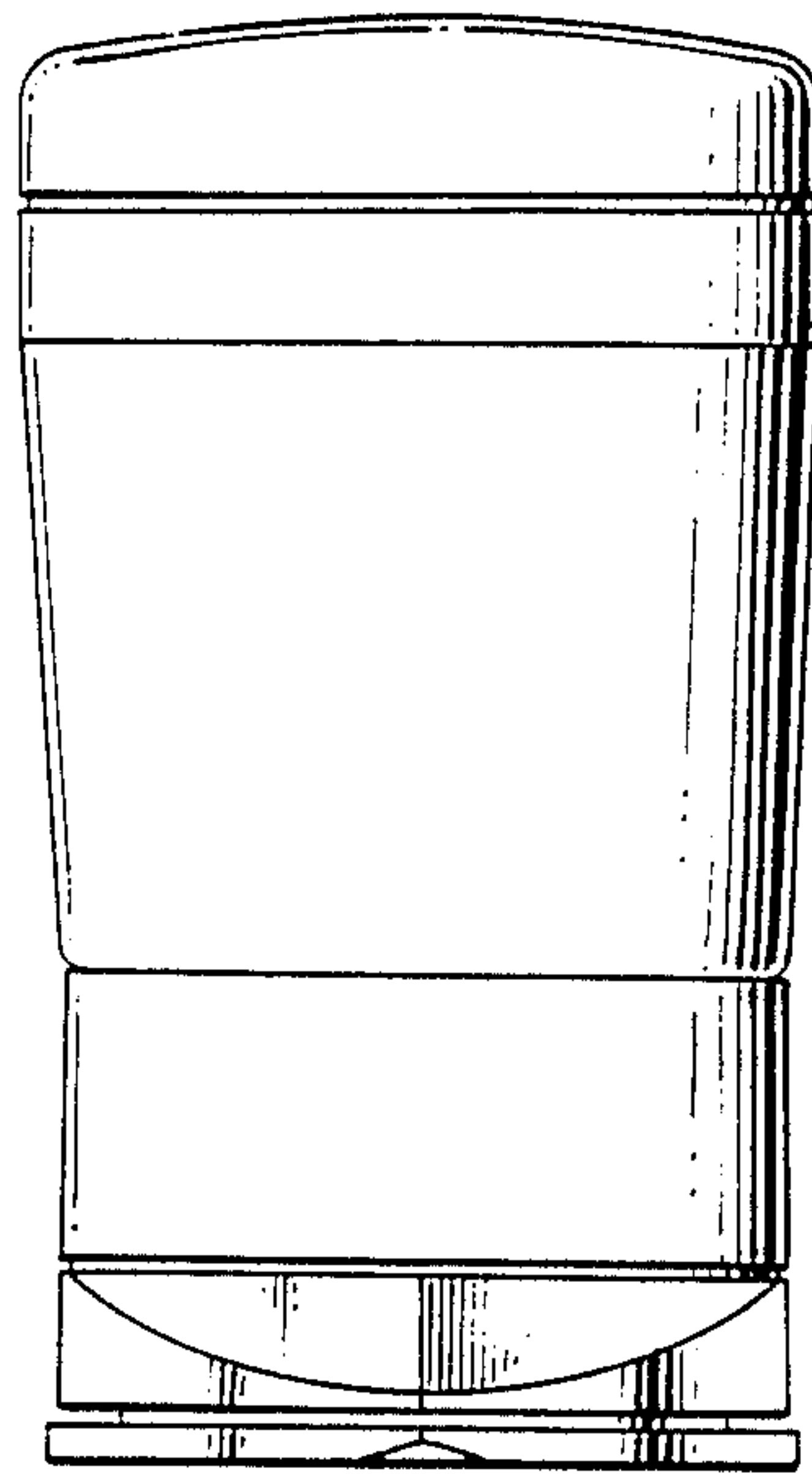


Fig 1

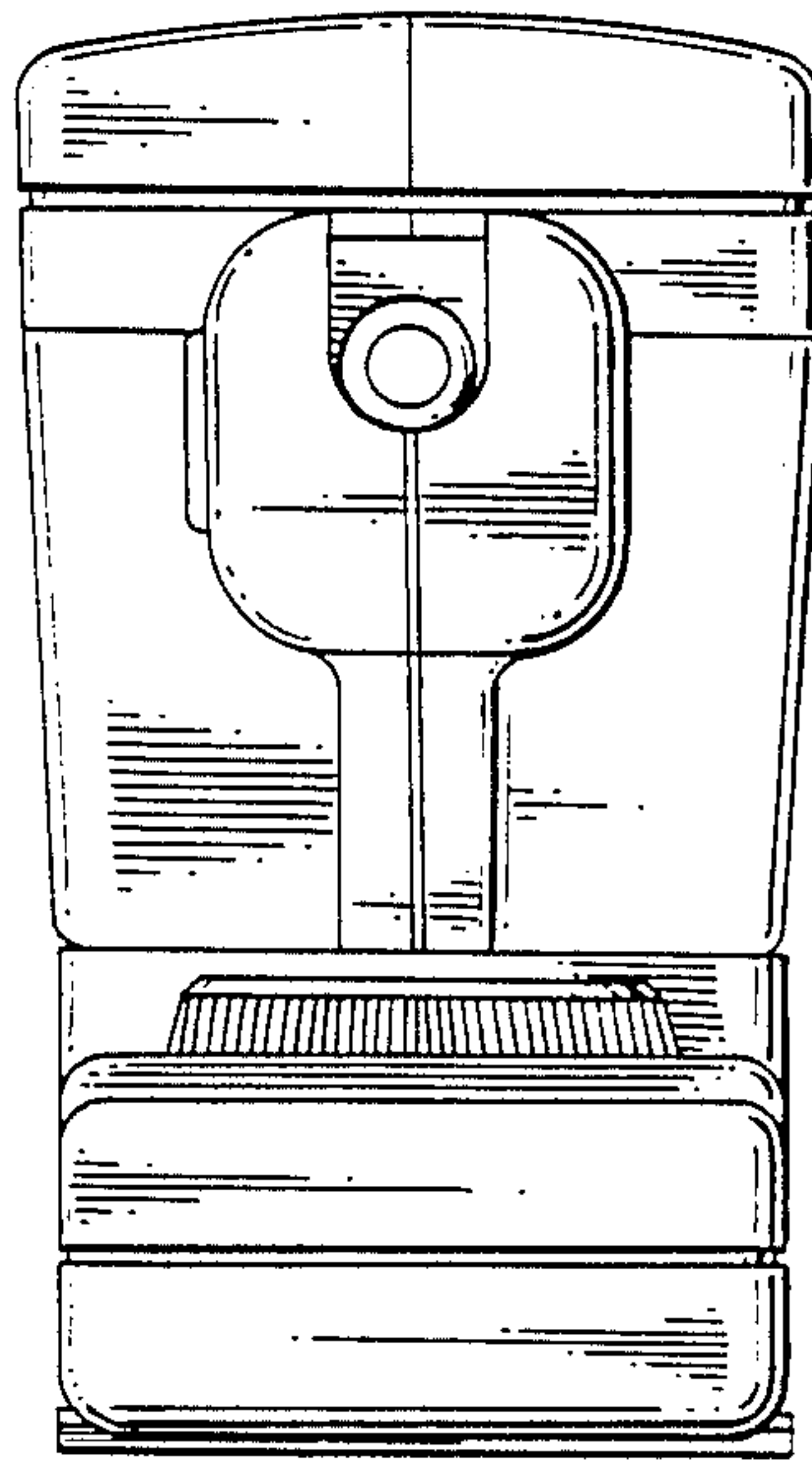


Fig 2

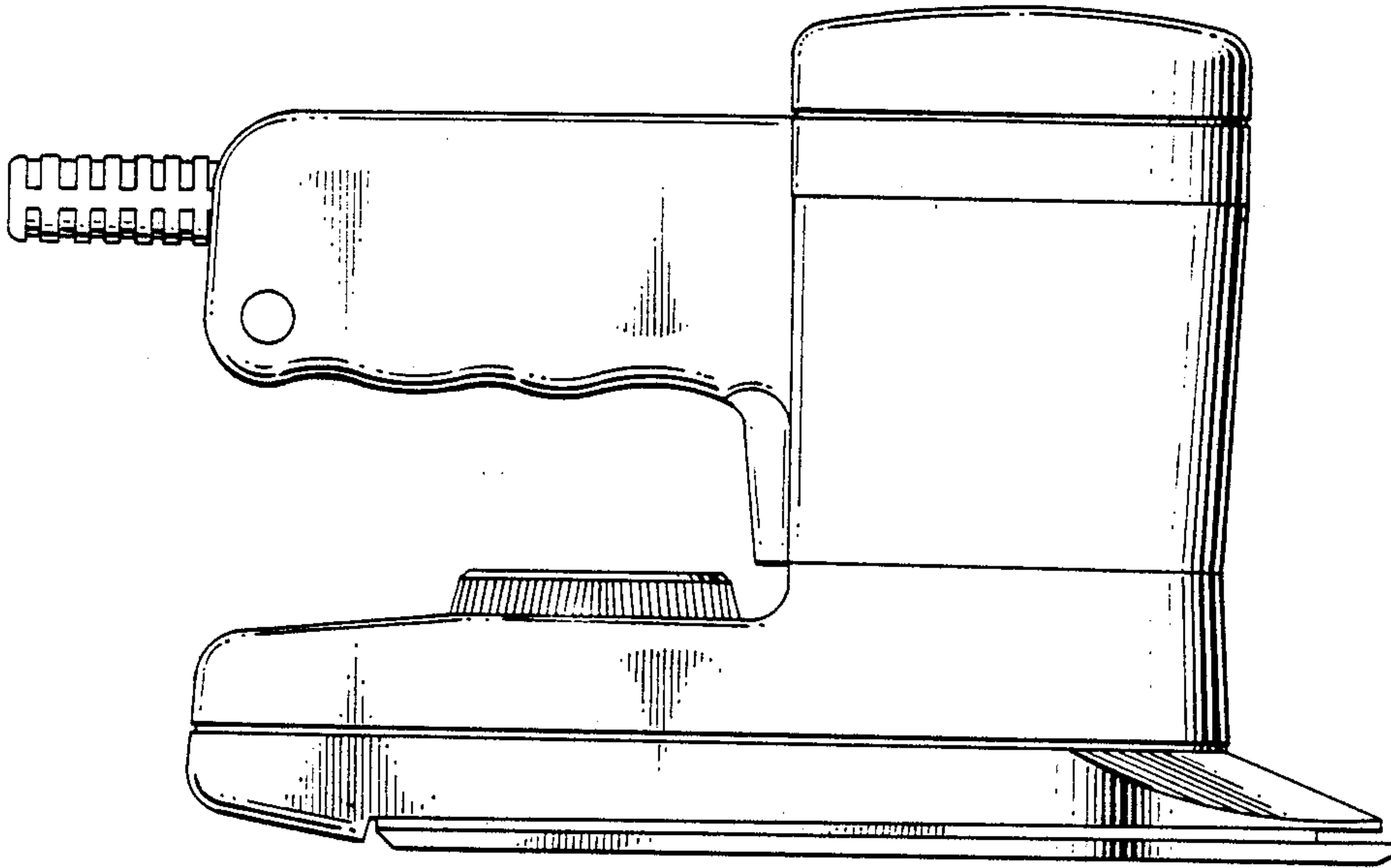


Fig 3

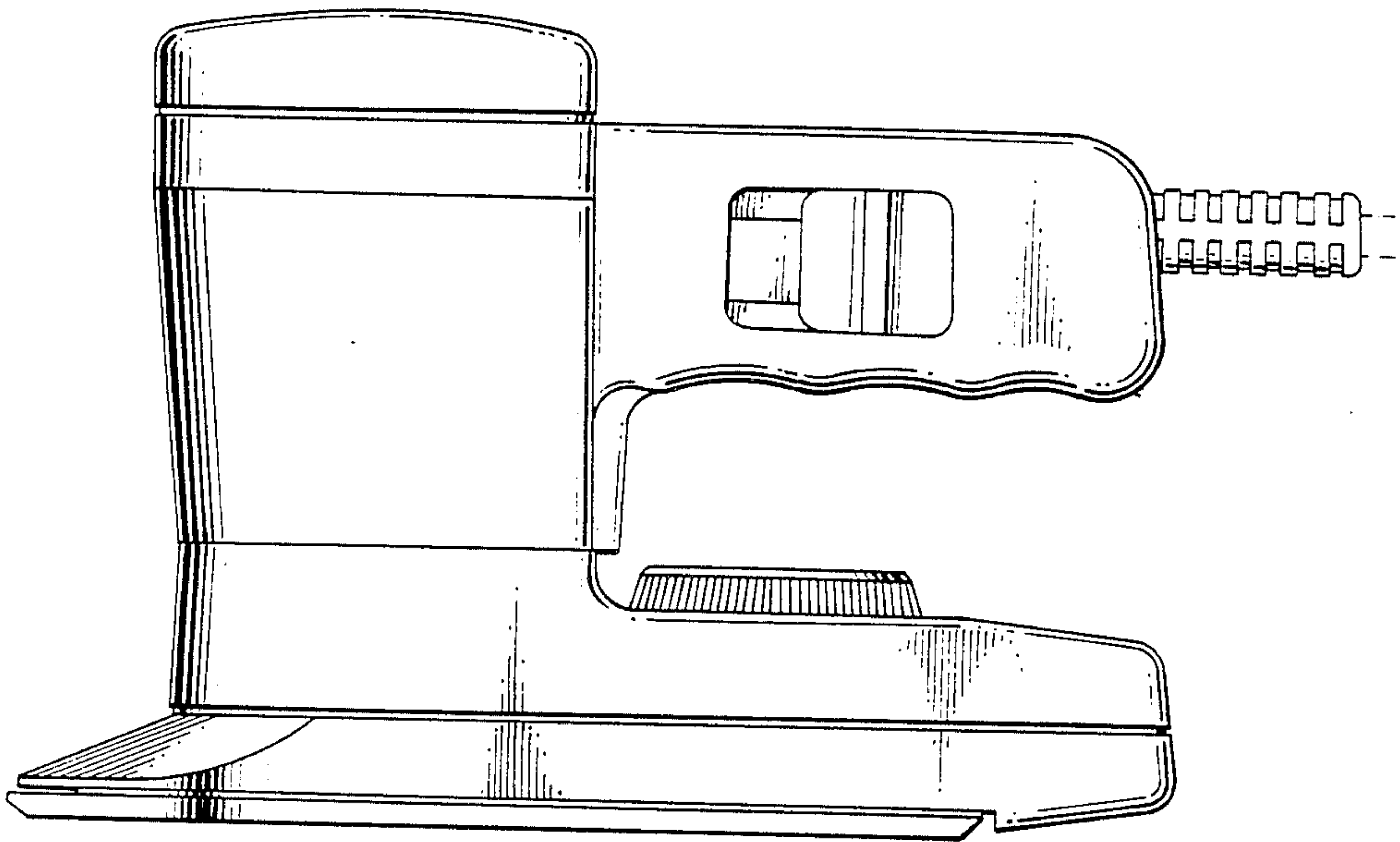


Fig4

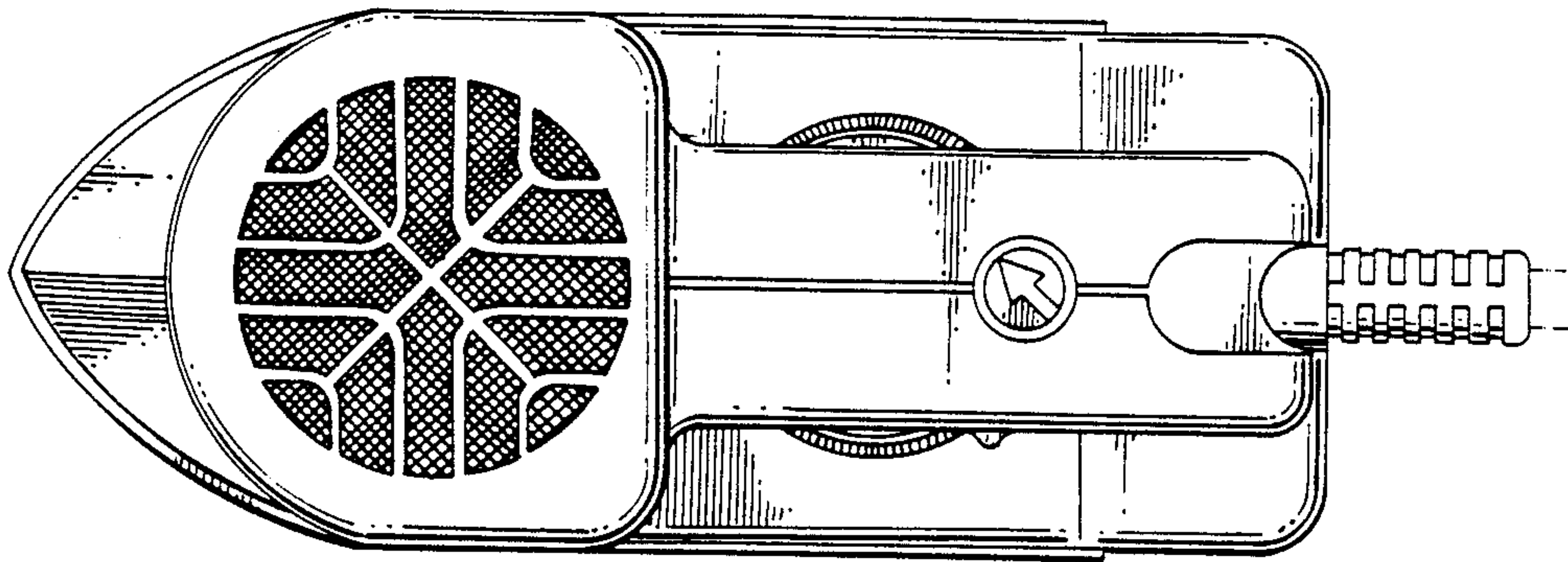


Fig 5

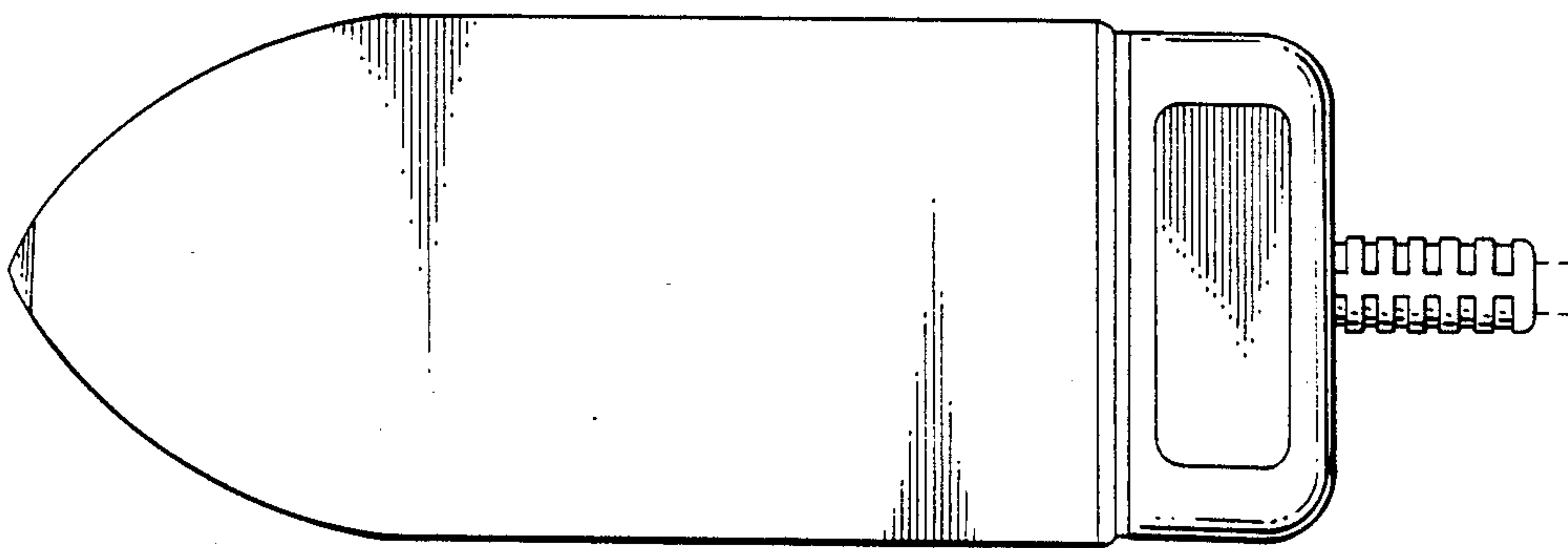


Fig 6

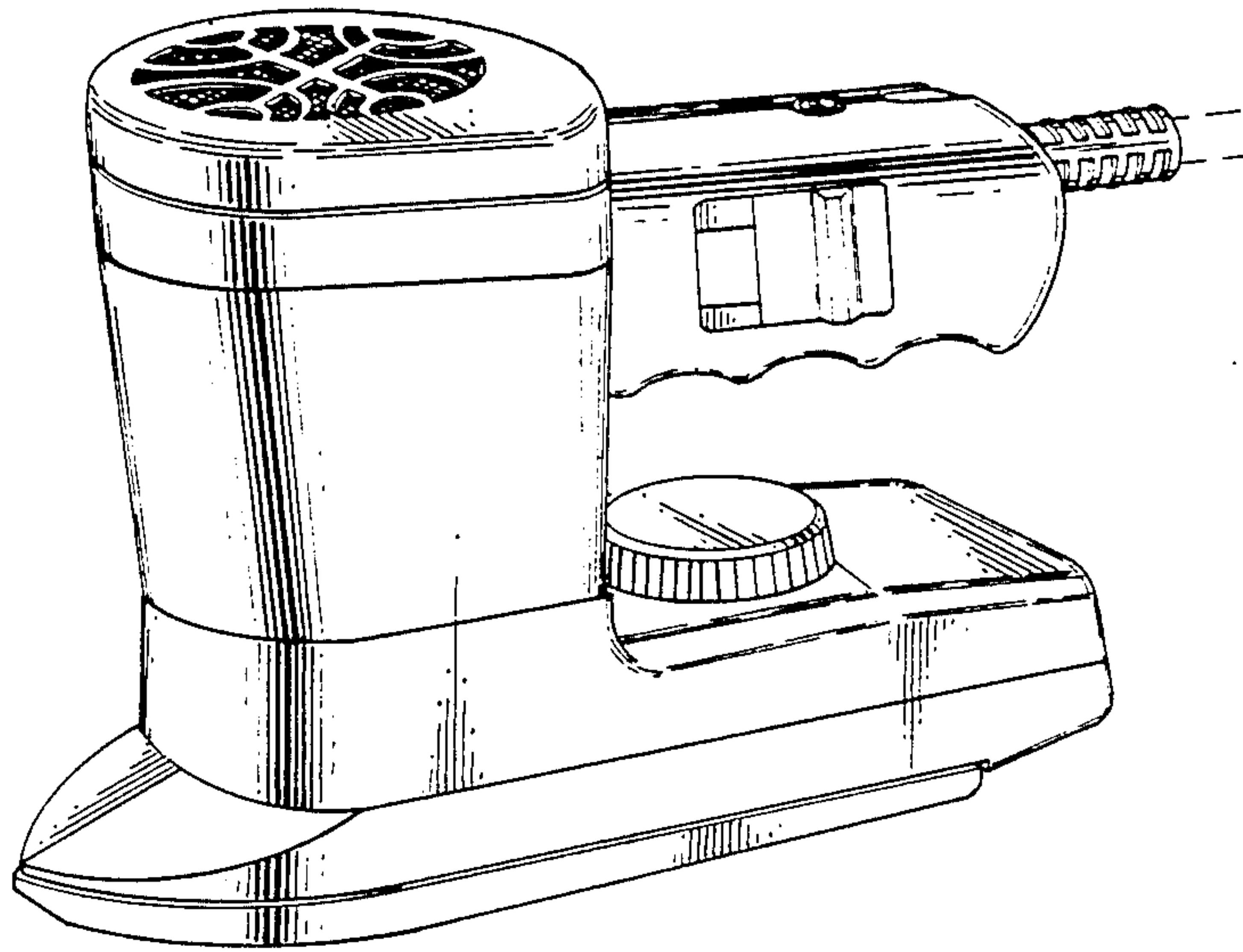


Fig 7