

United States Patent [19]

Tapdrup

[11] Patent Number: Des. 295,094

[45] Date of Patent: ** Apr. 5, 1988

[54] BUCKET WITH A REMOVABLE LID

[75] Inventor: Erik P. Tapdrup, Virum, Denmark

[73] Assignee: Interlego A.G., Baar, Switzerland

[**] Term: 14 Years

[21] Appl. No.: 935,701

[22] Filed: Nov. 26, 1986

[30] Foreign Application Priority Data

Sep. 11, 1986 [DK] Denmark 910/86

[52] U.S. Cl. D32/53

[58] Field of Search D32/53, 53.1; 15/264;
220/95

[56] References Cited

U.S. PATENT DOCUMENTS

D. 232,152 7/1974 Roper et al. D32/53

D. 233,218 10/1974 Lynn D32/53

D. 236,578 9/1975 Powell D32/53
3,866,791 2/1975 Roper et al. D32/53

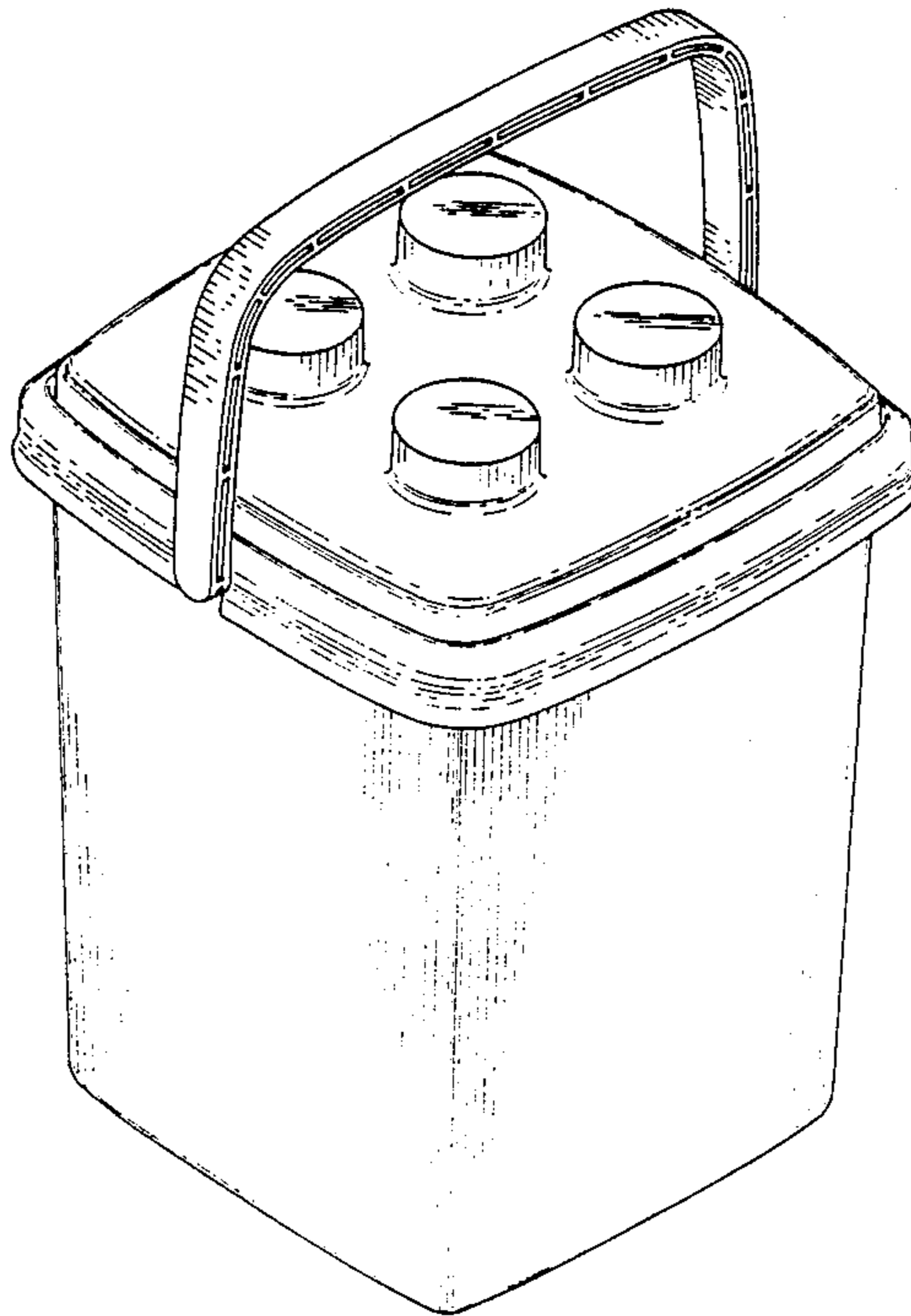
Primary Examiner—Catherine E. Kemper
Attorney, Agent, or Firm—Kane, Dalsimer, Sullivan,
Kurucz, Levy, Eisele and Richard

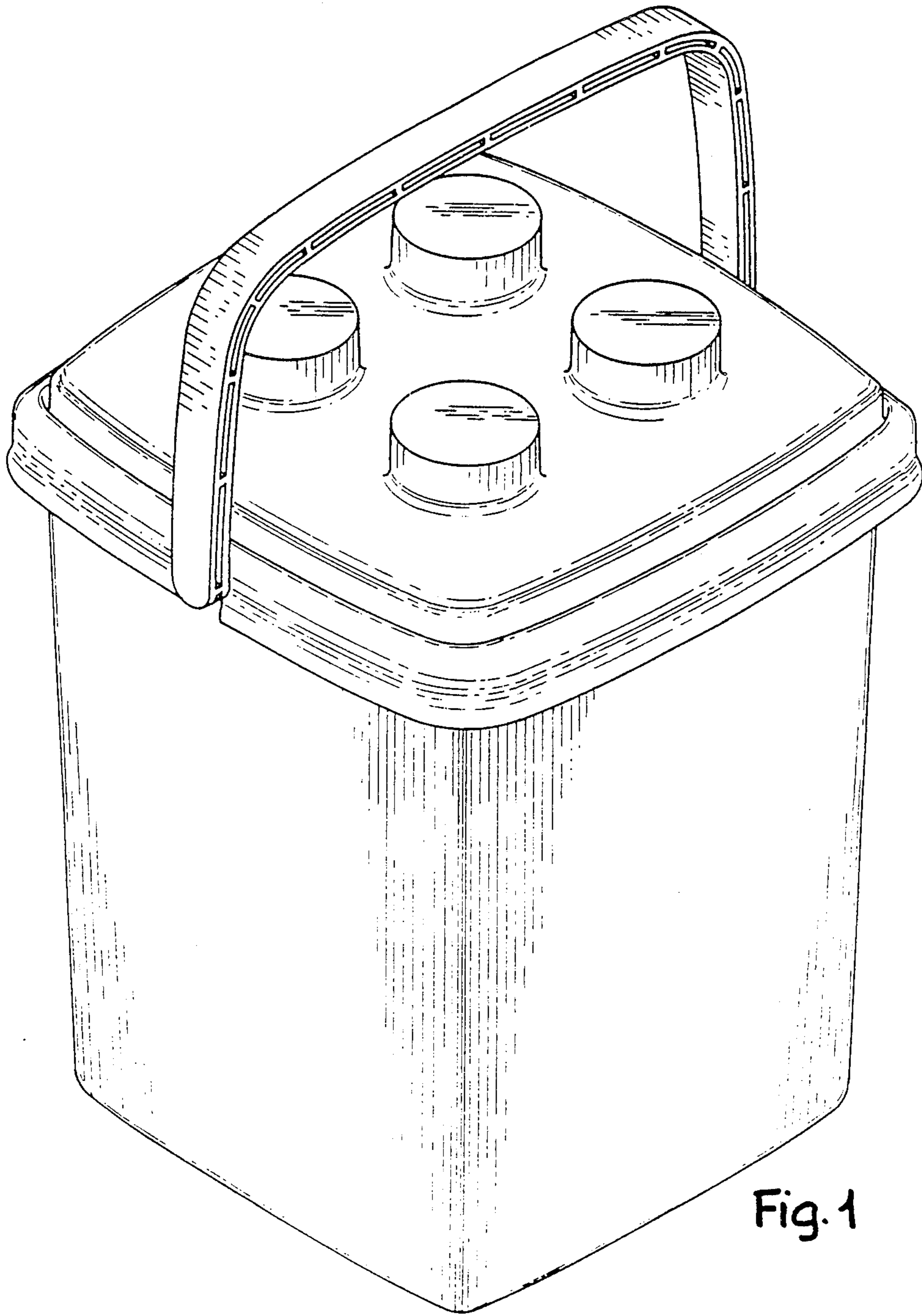
[57] CLAIM

The ornamental design for a bucket with a removable lid, as shown and described.

DESCRIPTION

FIG. 1 is a top perspective view of the bucket with a removable lid showing my new design,
FIG. 2 is a bottom perspective view thereof,
FIG. 3 is a front elevational view, the rear being identical thereto;
FIG. 4 is a side elevational view, the opposite side being identical thereto;
FIG. 5 is a top plan view thereof, and
FIG. 6 is a bottom plan view thereof.





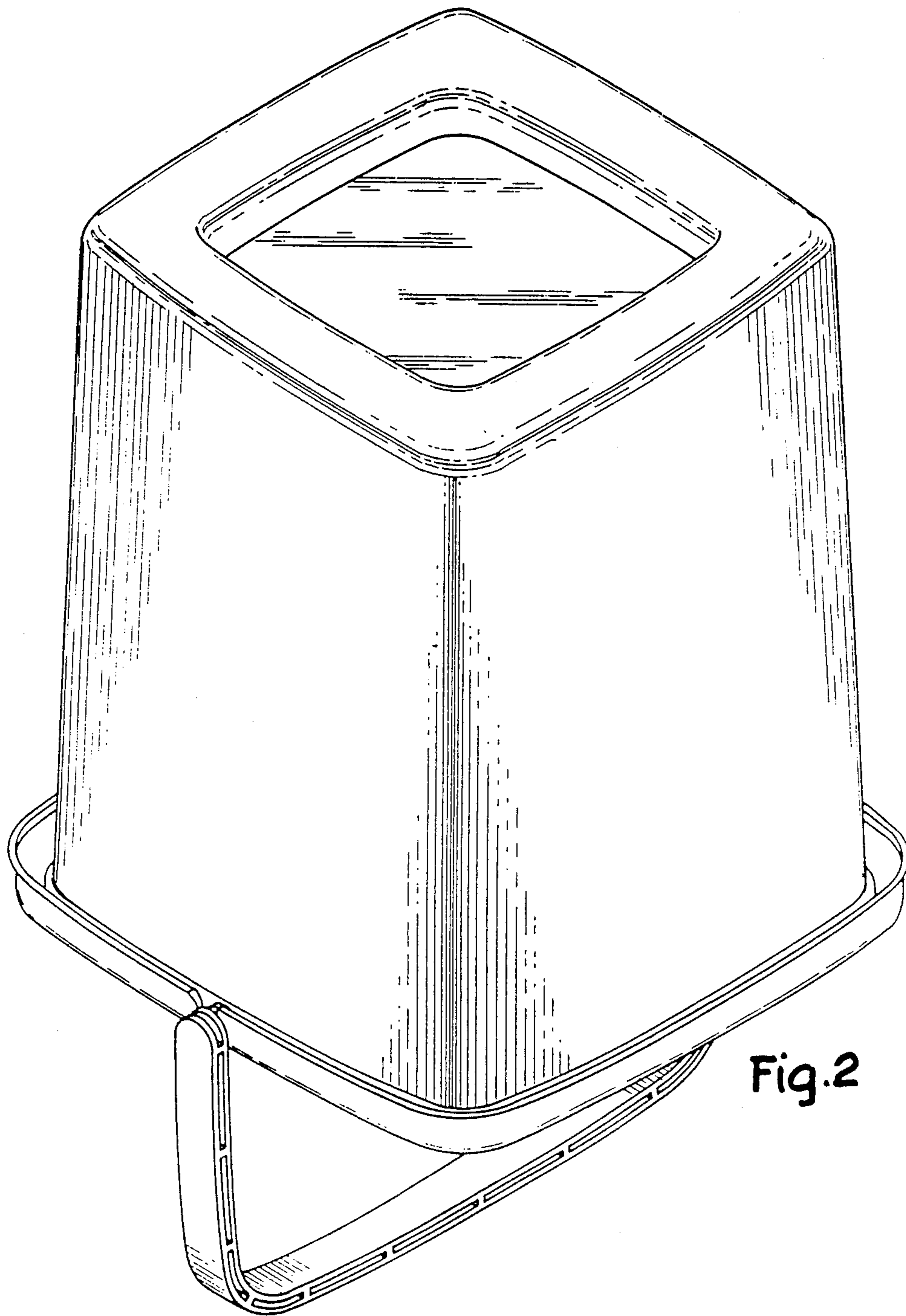


Fig. 2

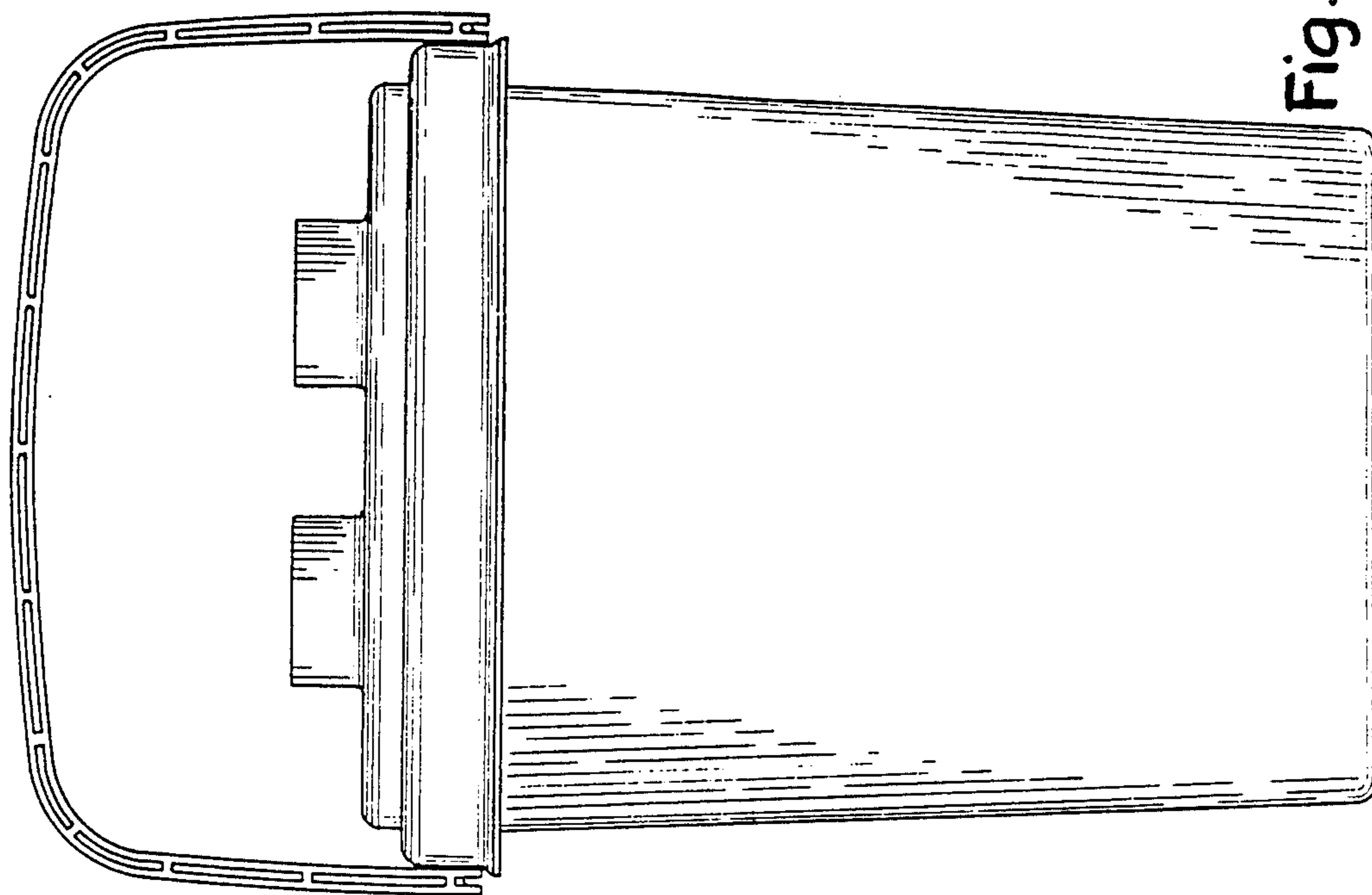


Fig. 3

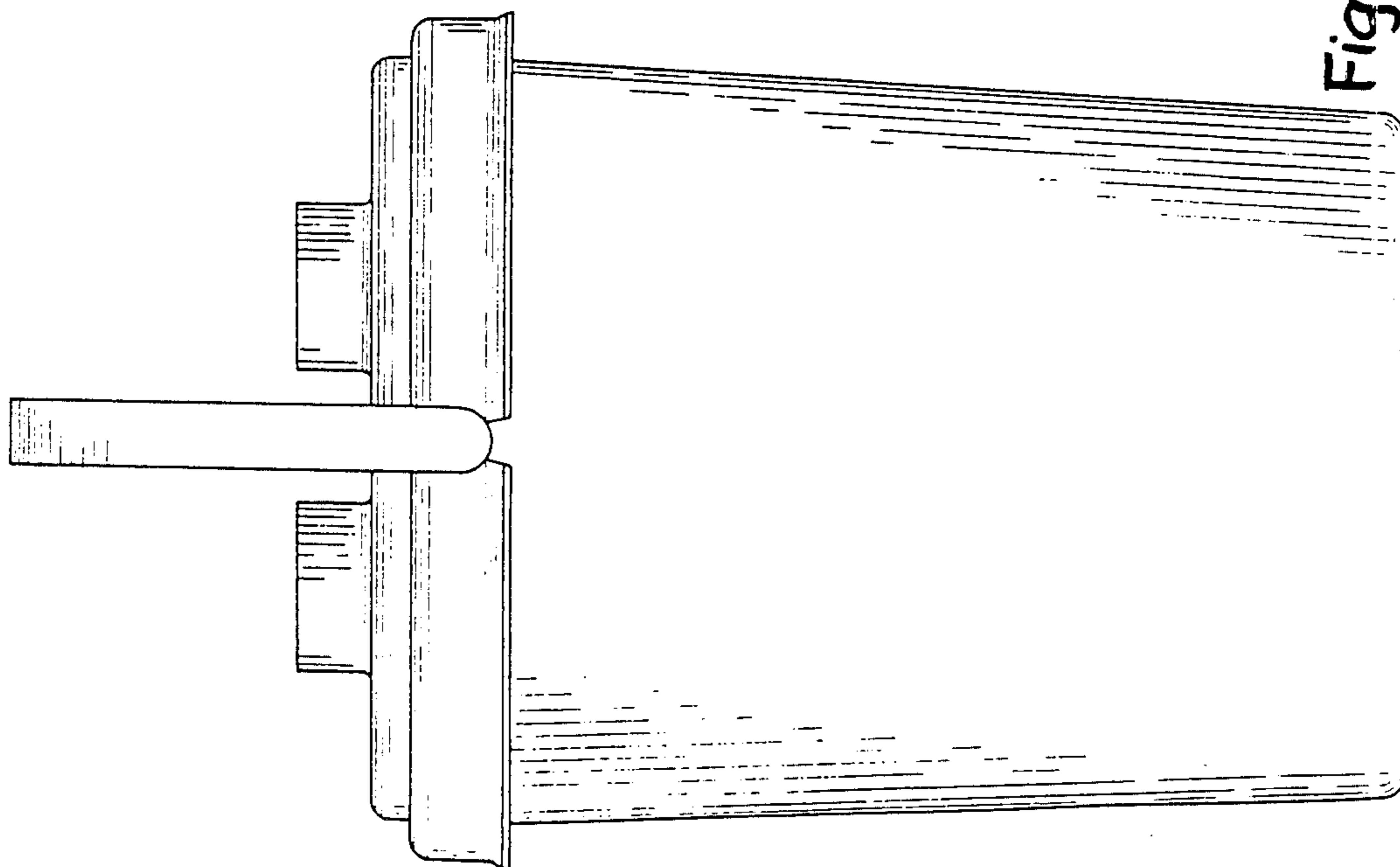


Fig. 4

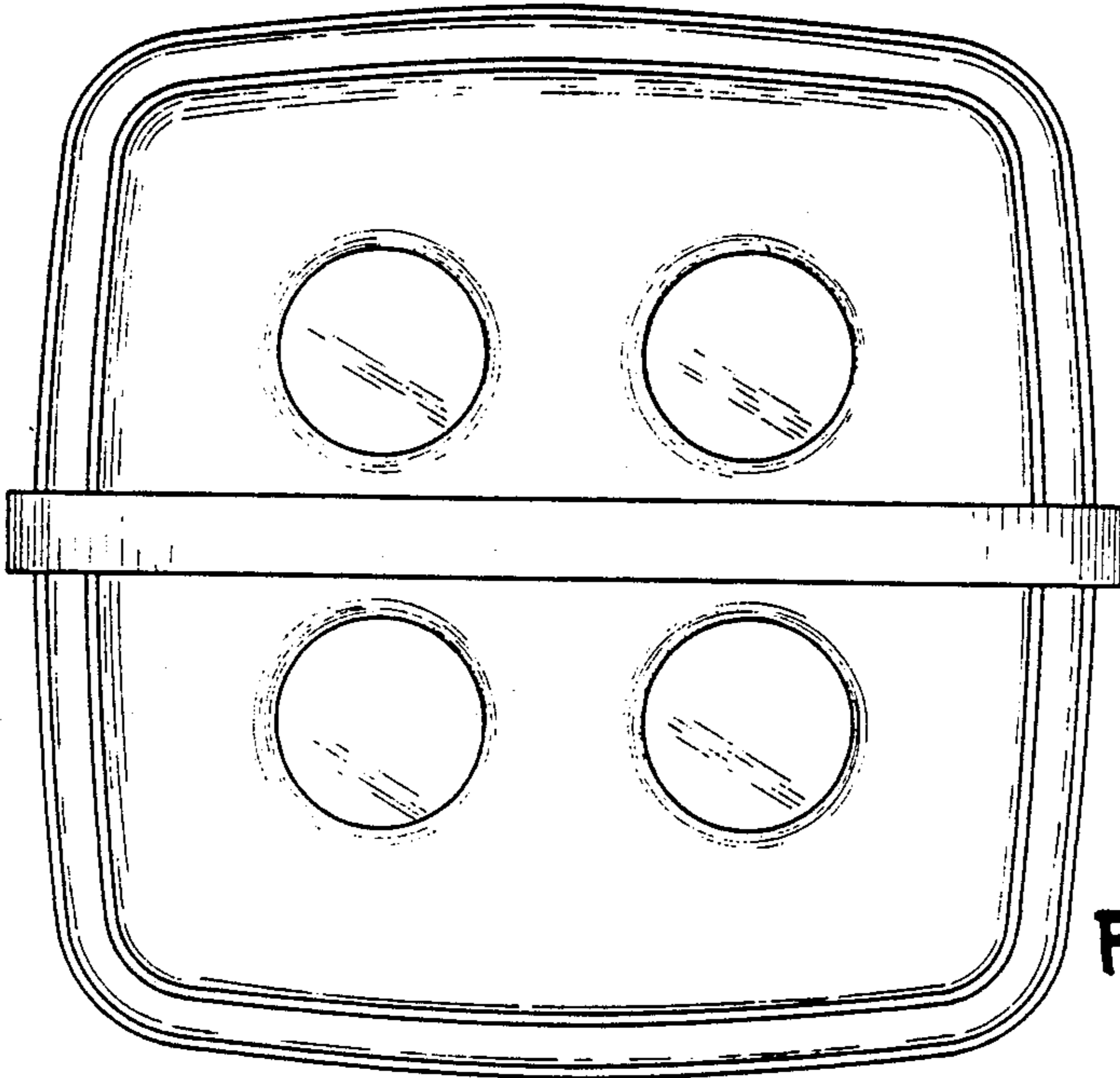


Fig. 5

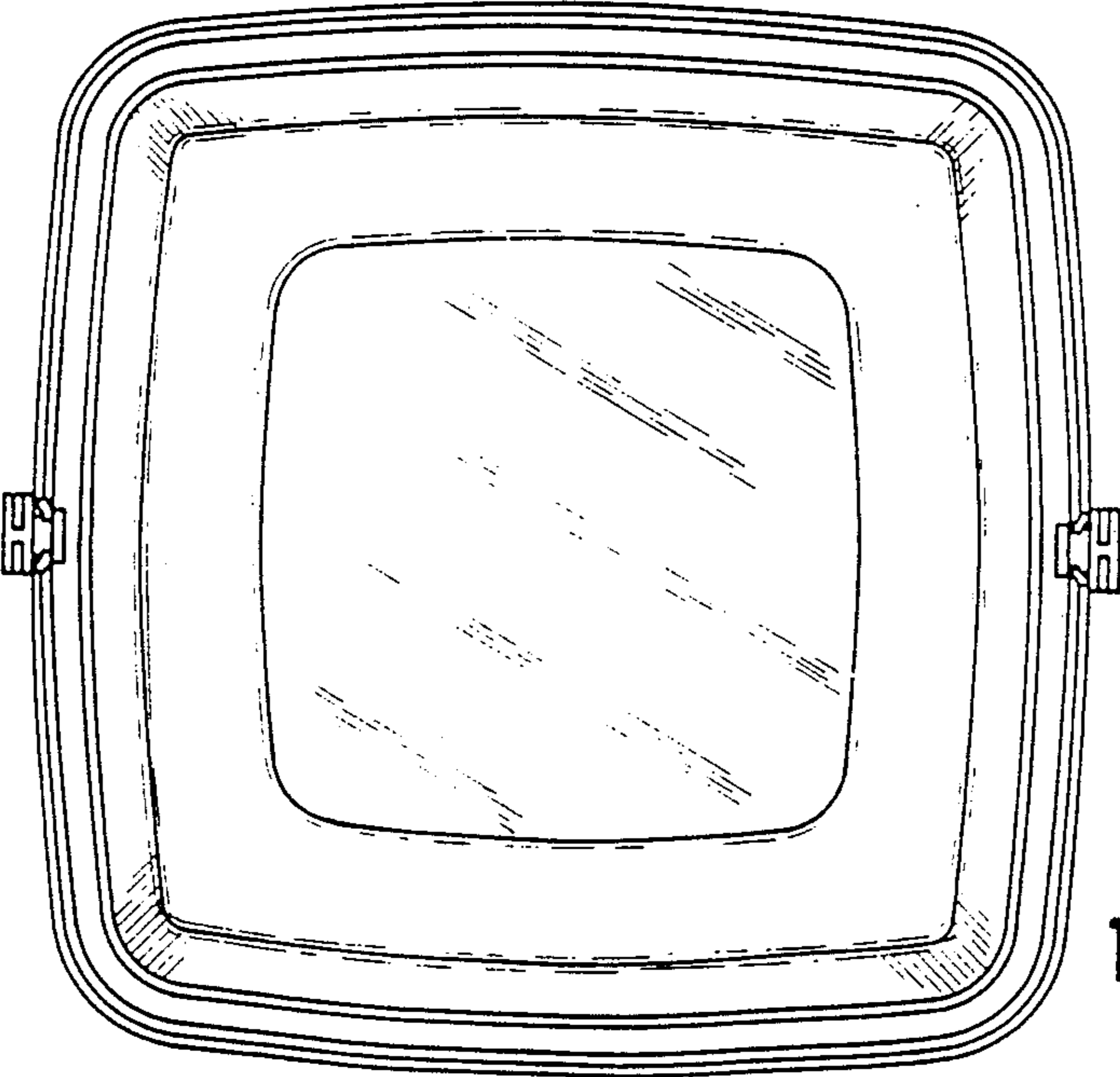


Fig. 6