

# United States Patent [19]

Mizuno et al.

[11] Patent Number: Des. 295,092

[45] Date of Patent: \*\* Apr. 5, 1988

[54] VACUUM CLEANER NOZZLE

3,761,997 10/1973 Frazier ..... 15/422

[75] Inventors: Hironichi Mizuno, Kawagoeshi;  
Toshio Kodaki, Yokohamashi, both  
of Japan

## FOREIGN PATENT DOCUMENTS

11700 of 1908 United Kingdom ..... 15/411

[73] Assignee: Iwatani Sangyo Kabushiki Kaisha,  
Osaka, Japan

*Primary Examiner*—Susan J. Lucas  
*Assistant Examiner*—Ruth Takemoto  
*Attorney, Agent, or Firm*—Schwartz, Jeffery, Schwaab,  
Mack, Blumenthal & Evans

[\*\*] Term: 14 Years

[21] Appl. No.: 754,124

## [57] CLAIM

The ornamental design for a vacuum cleaner nozzle, as shown.

[22] Filed: Jul. 12, 1985

[52] U.S. Cl. .... D32/32

[58] Field of Search ..... D32/32-33;  
15/322, 334, 410-412, 415 R, 415 A, 416,  
418-422

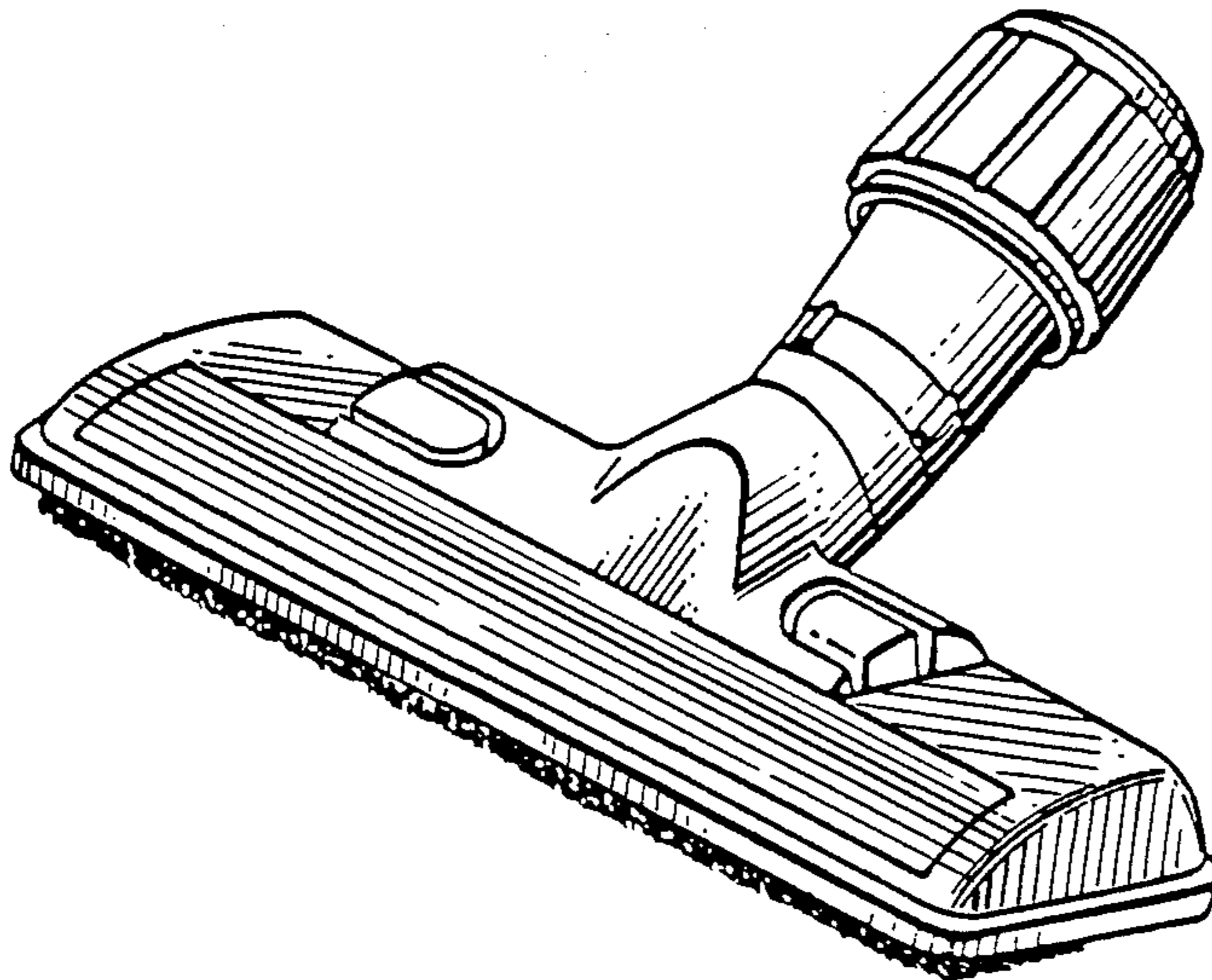
## DESCRIPTION

FIG. 1 is a front elevational view of our new vacuum cleaner nozzle showing our new design; FIG. 2 is a rear elevational view thereof; FIG. 3 is a top plan view thereof; FIG. 4 is a bottom plan view thereof; FIG. 5 is a side elevational view thereof, the opposite side is a mirror image thereof; and FIG. 6 is a perspective view thereof.

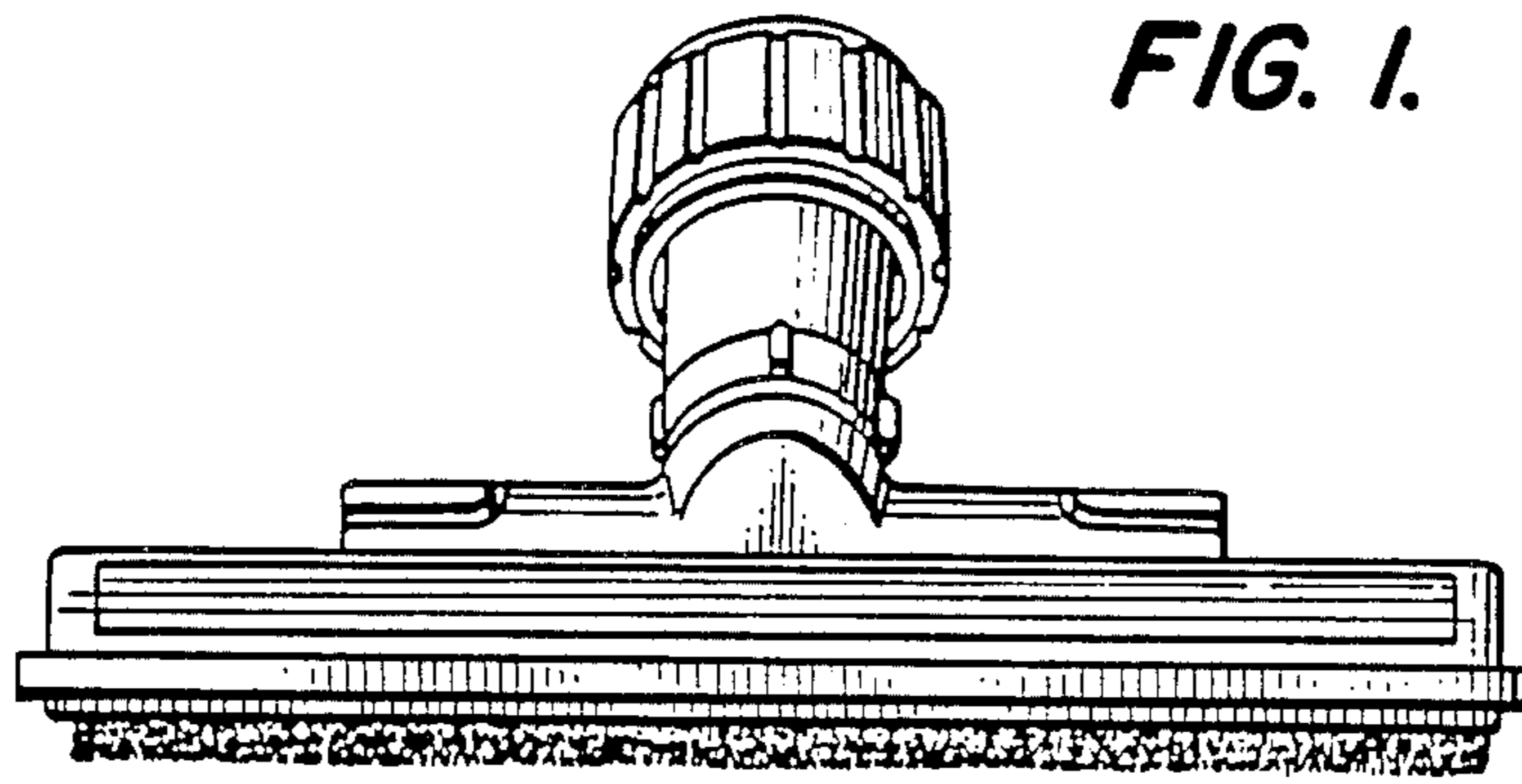
## [56] References Cited

### U.S. PATENT DOCUMENTS

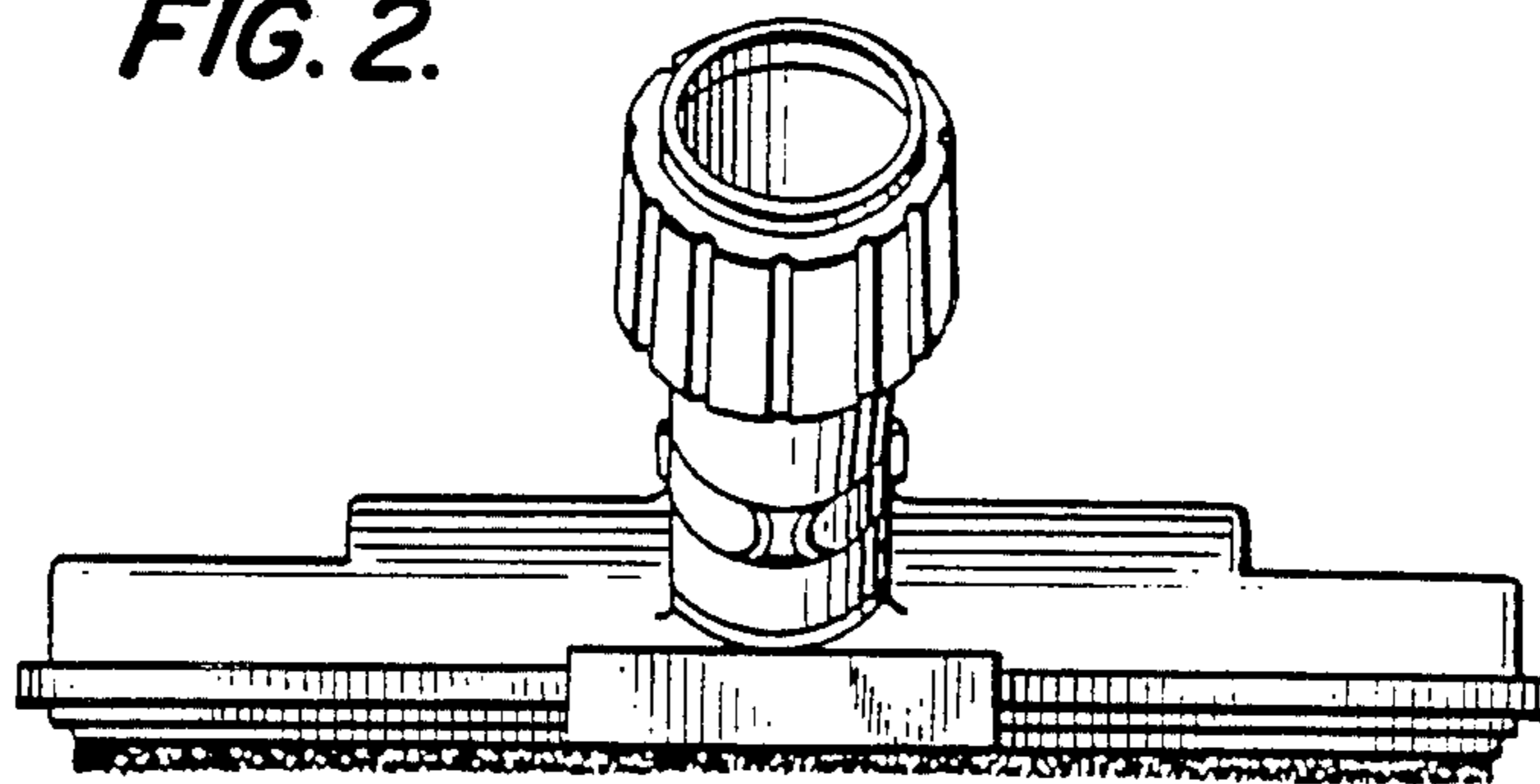
2,860,367 11/1958 Kolenda et al. .... D32/32  
3,013,294 12/1961 Ostrom ..... 15/410  
3,667,084 6/1972 Valbona et al. .... 15/410



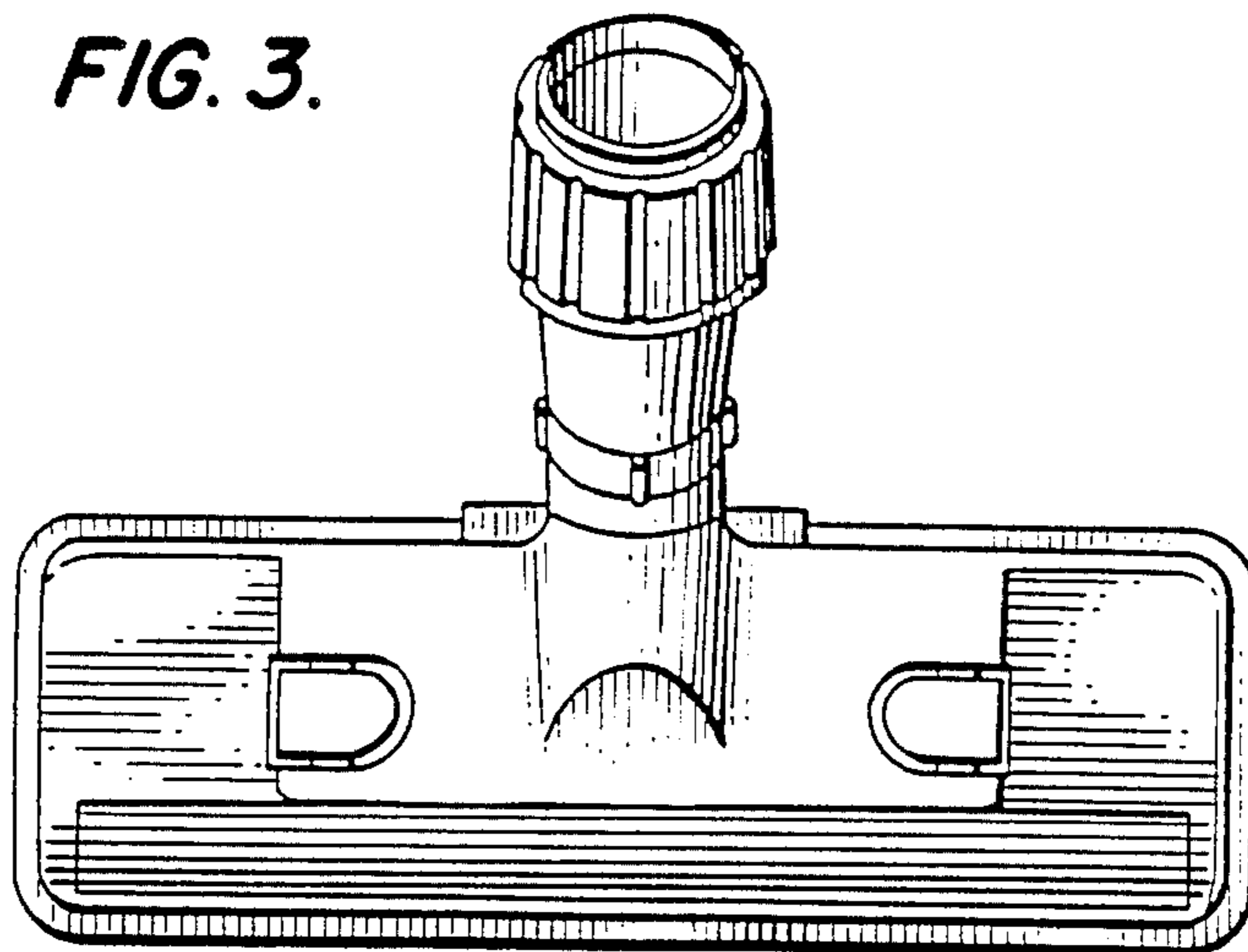
*FIG. 1.*

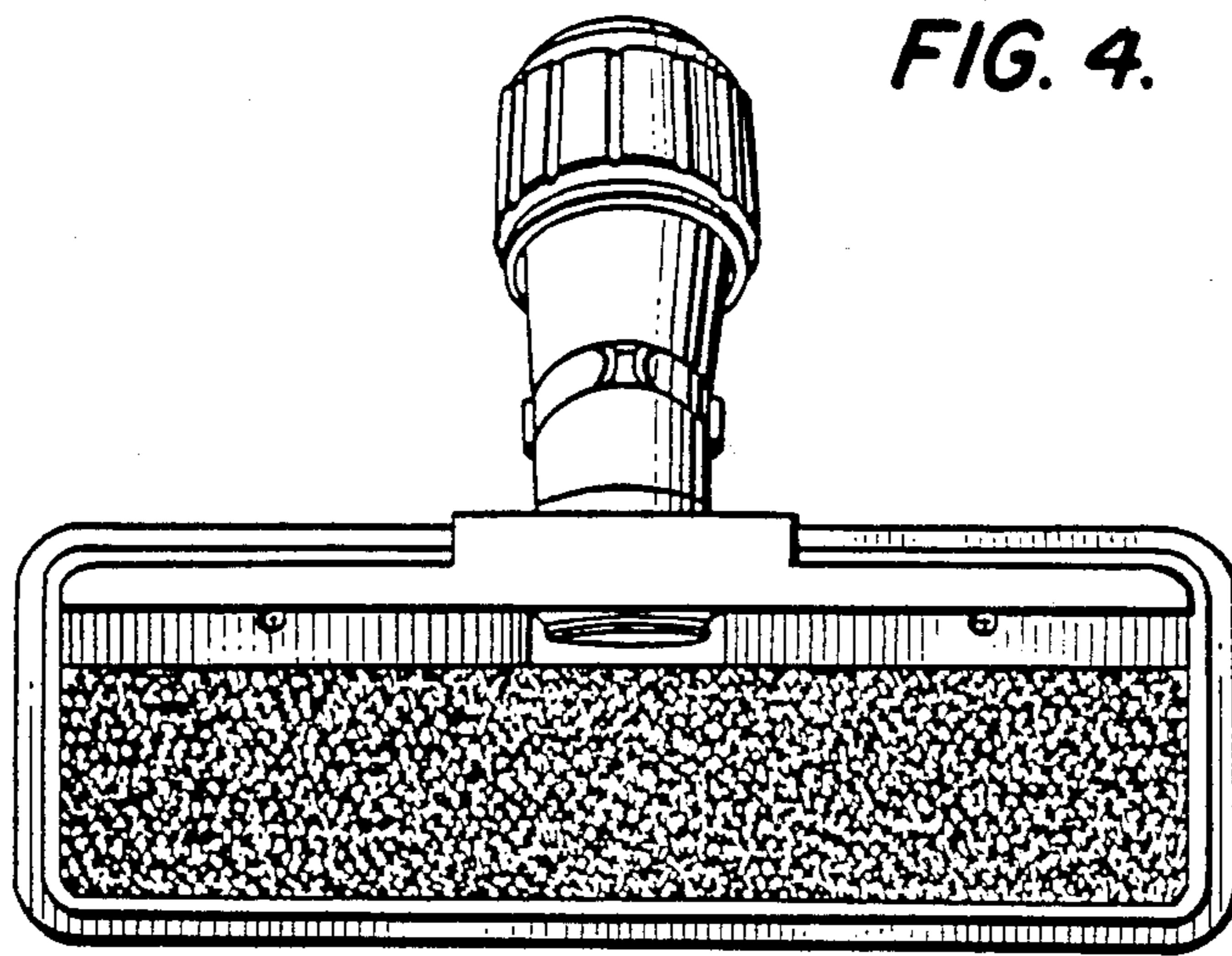


*FIG. 2.*



*FIG. 3.*





**FIG. 5.**

