

# United States Patent [19]

Swartzendruber

[11] Patent Number: Des. 295,091

[45] Date of Patent: \*\* Apr. 5, 1988

[54] HANGING POULTRY WATERING UNIT

[75] Inventor: Ray E. Swartzendruber, Syracuse, Ind.

[73] Assignee: CTB, Inc., Milford, Ind.

[\*\*] Term: 14 Years

[21] Appl. No.: 907,608

[22] Filed: Sep. 15, 1986

[52] U.S. Cl. .... D30/132

[58] Field of Search ..... D23/1, 6, 7, 9, 11, D23/13; D30/13, 16, 17; 119/51 R, 51.13, 52 R, 72, 81

[56] **References Cited**

**U.S. PATENT DOCUMENTS**

1,259,253 3/1918 McCullough ..... D30/13 X  
2,654,346 10/1953 Goff ..... D30/13 X

2,887,988 5/1959 Cottongim ..... D30/17 X  
4,221,188 9/1980 Hostetler ..... 119/81 X  
4,399,772 8/1983 Salinas ..... 119/51.5  
4,527,513 7/1985 Hart et al. .... 119/51.5

*Primary Examiner*—B. J. Bullock  
*Assistant Examiner*—Brian N. Vinson  
*Attorney, Agent, or Firm*—Trexler, Bushnell, Giangiorgi & Blackstone, Ltd.

[57] **CLAIM**

The ornamental design for a hanging poultry watering unit, as shown and described.

**DESCRIPTION**

FIG. 1 is a top perspective view of a hanging poultry watering unit showing my new design; FIG. 2 is a side elevational view thereof, the side adjacent and opposite being identical in appearance; FIG. 3 is a top plan view thereof; and FIG. 4 is a bottom plan view thereof.

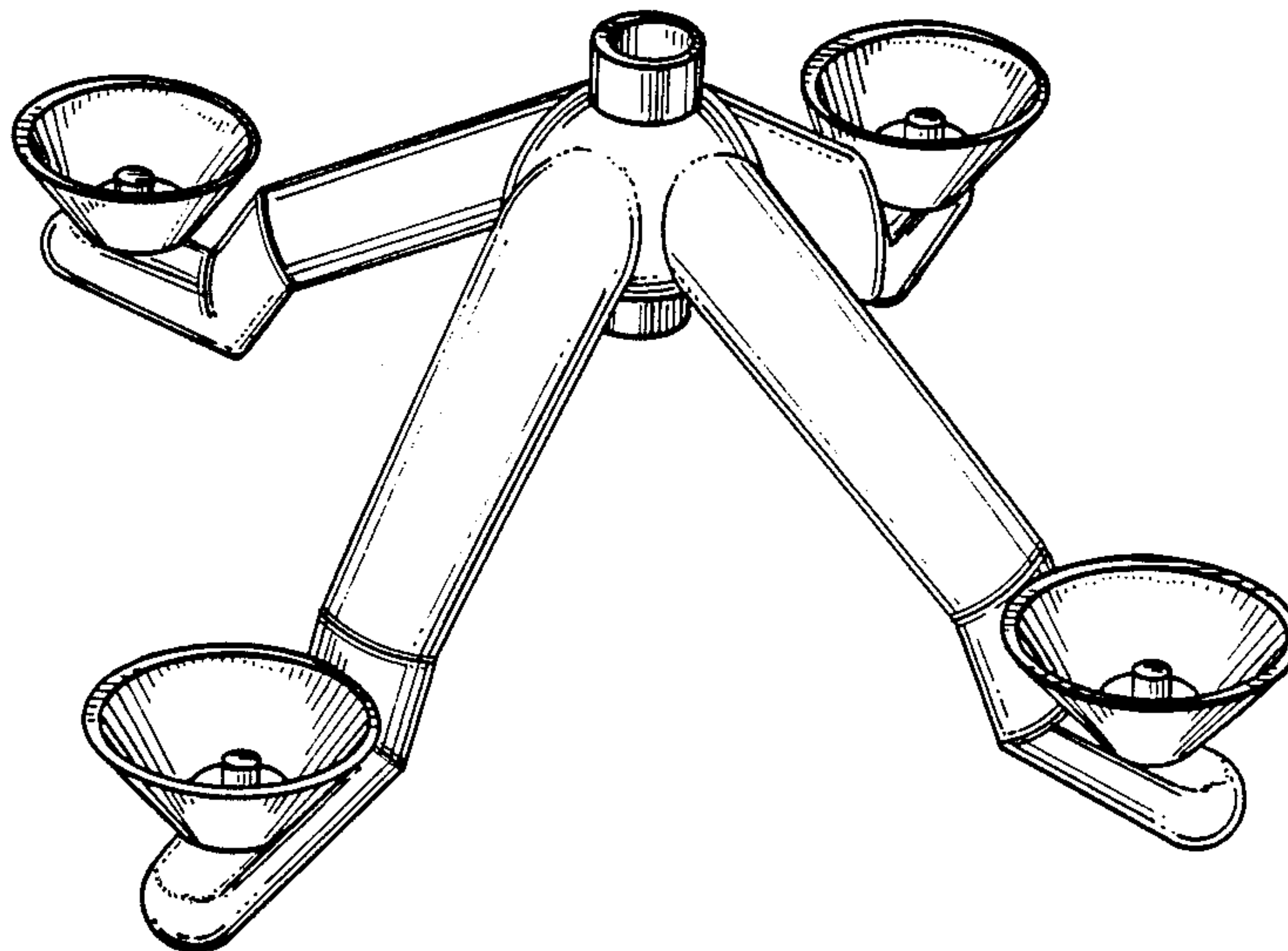


FIG. 1

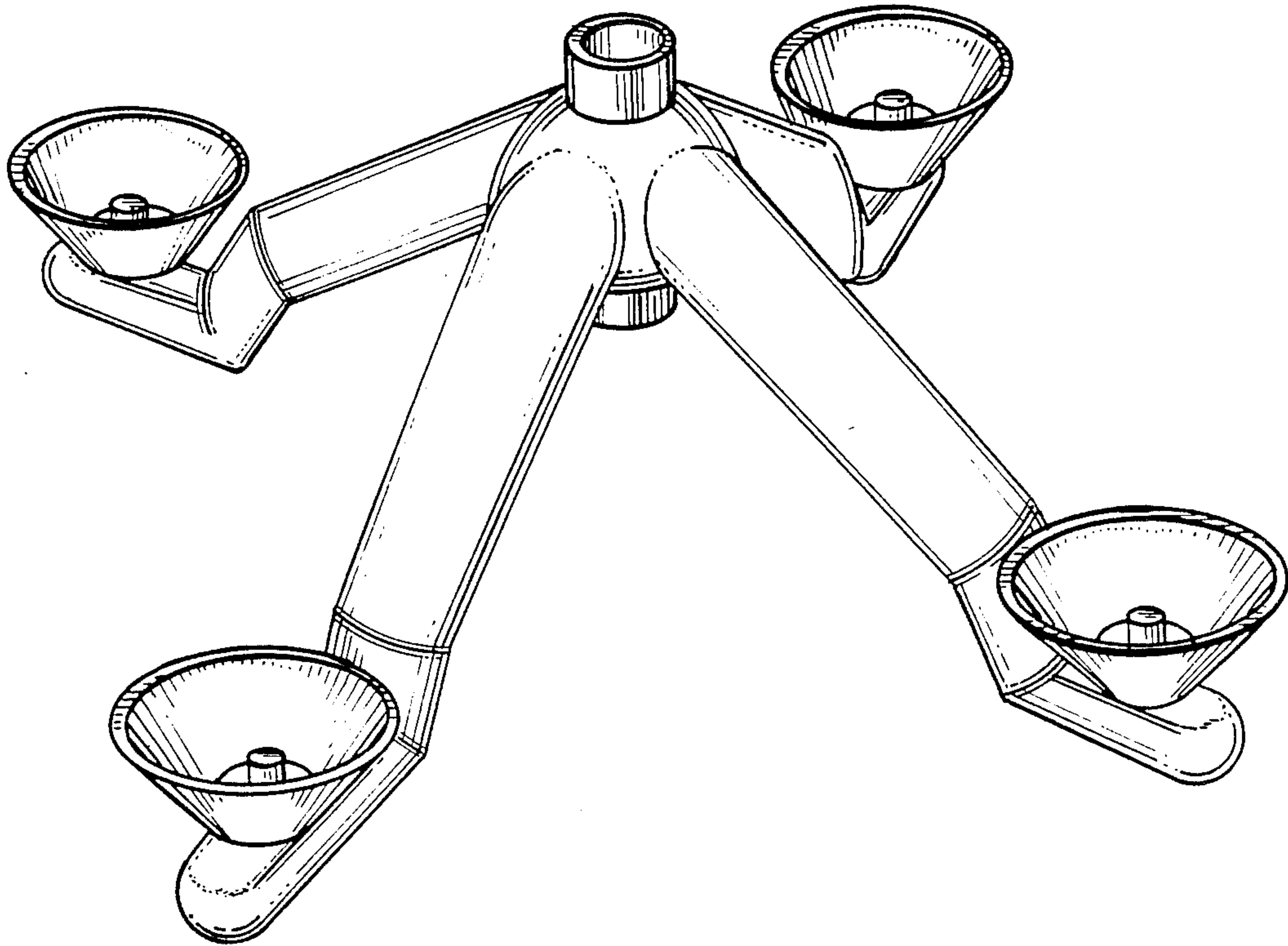


FIG. 2

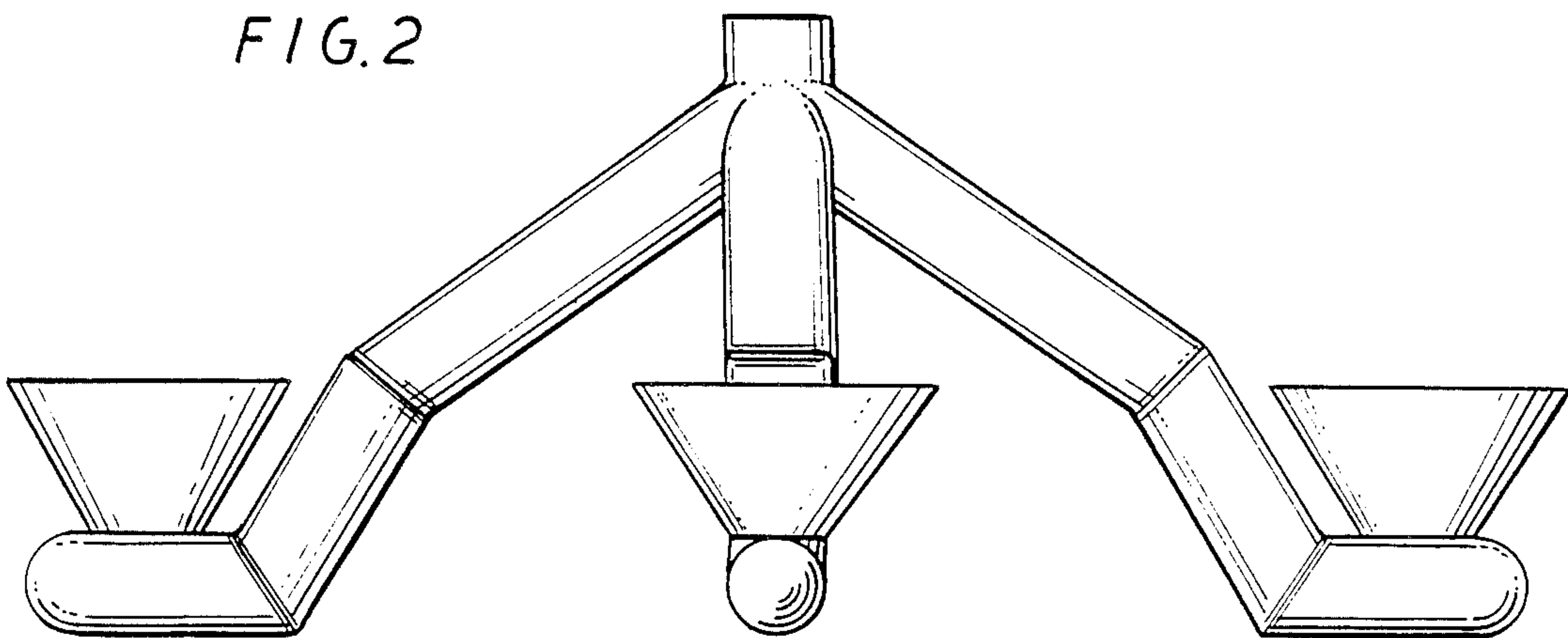


FIG. 3

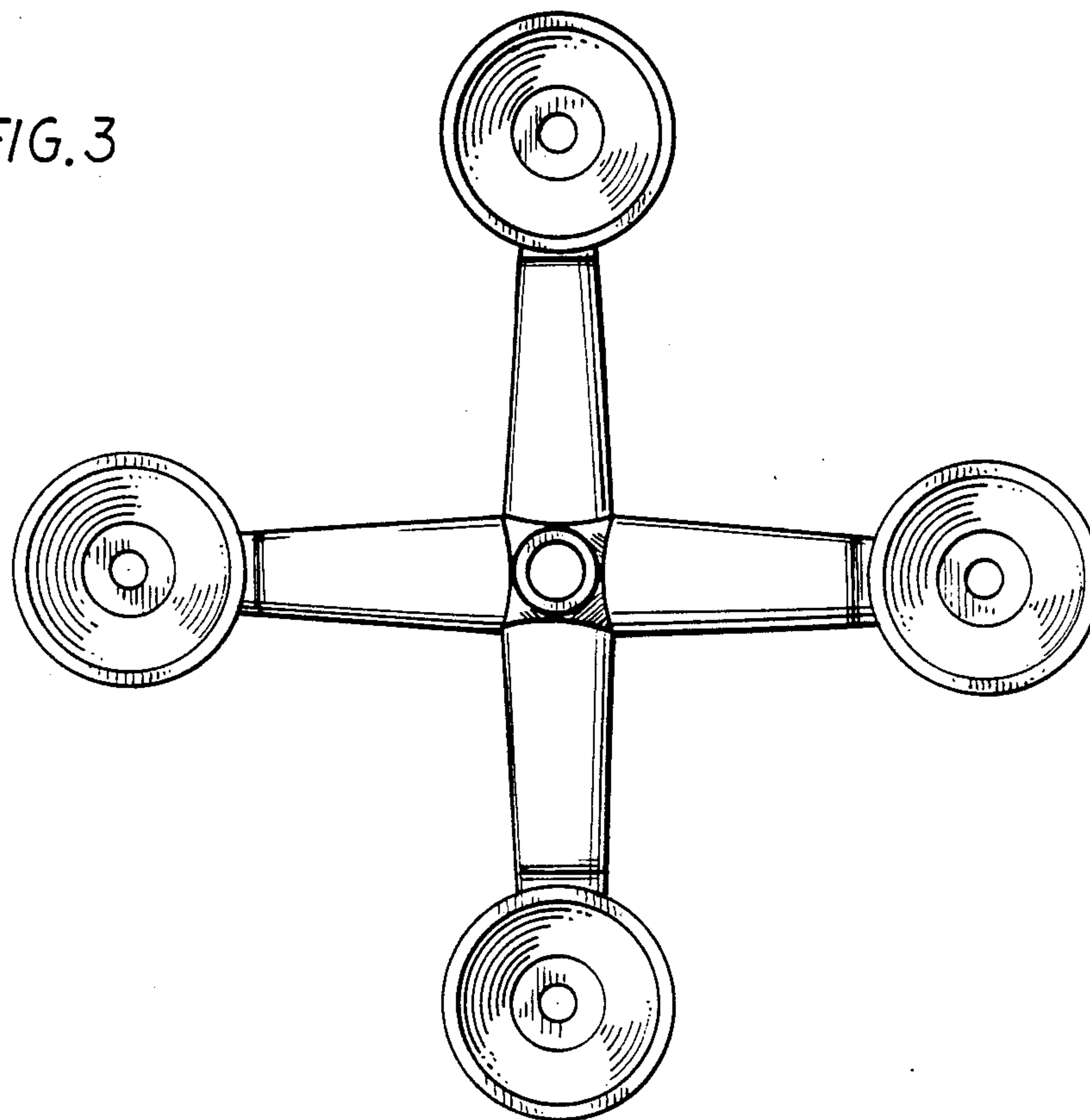


FIG. 4

