

[54] **WALL MOUNTED AQUARIUM**  
[76] **Inventor: James R. Sheridan, 309 E. 22nd St.,  
Santa Ana, Calif. 92706**  
[\*\*] **Term: 14 Years**  
[21] **Appl. No.: 847,862**  
[22] **Filed: Apr. 4, 1986**  
[52] **U.S. Cl. .... D30/101**  
[58] **Field of Search .... D30/6-12;  
D11/146; 119/5**

D. 253,729 12/1979 Ward ..... D30/6  
D. 259,292 5/1981 Conrad ..... D30/6  
D. 268,705 4/1983 Clayton ..... D30/6  
3,874,336 4/1975 Murphy ..... 119/5  
4,026,243 5/1977 Jessop, III ..... 119/5

*Primary Examiner*—James R. Largen  
*Attorney, Agent, or Firm*—Douglas E. White

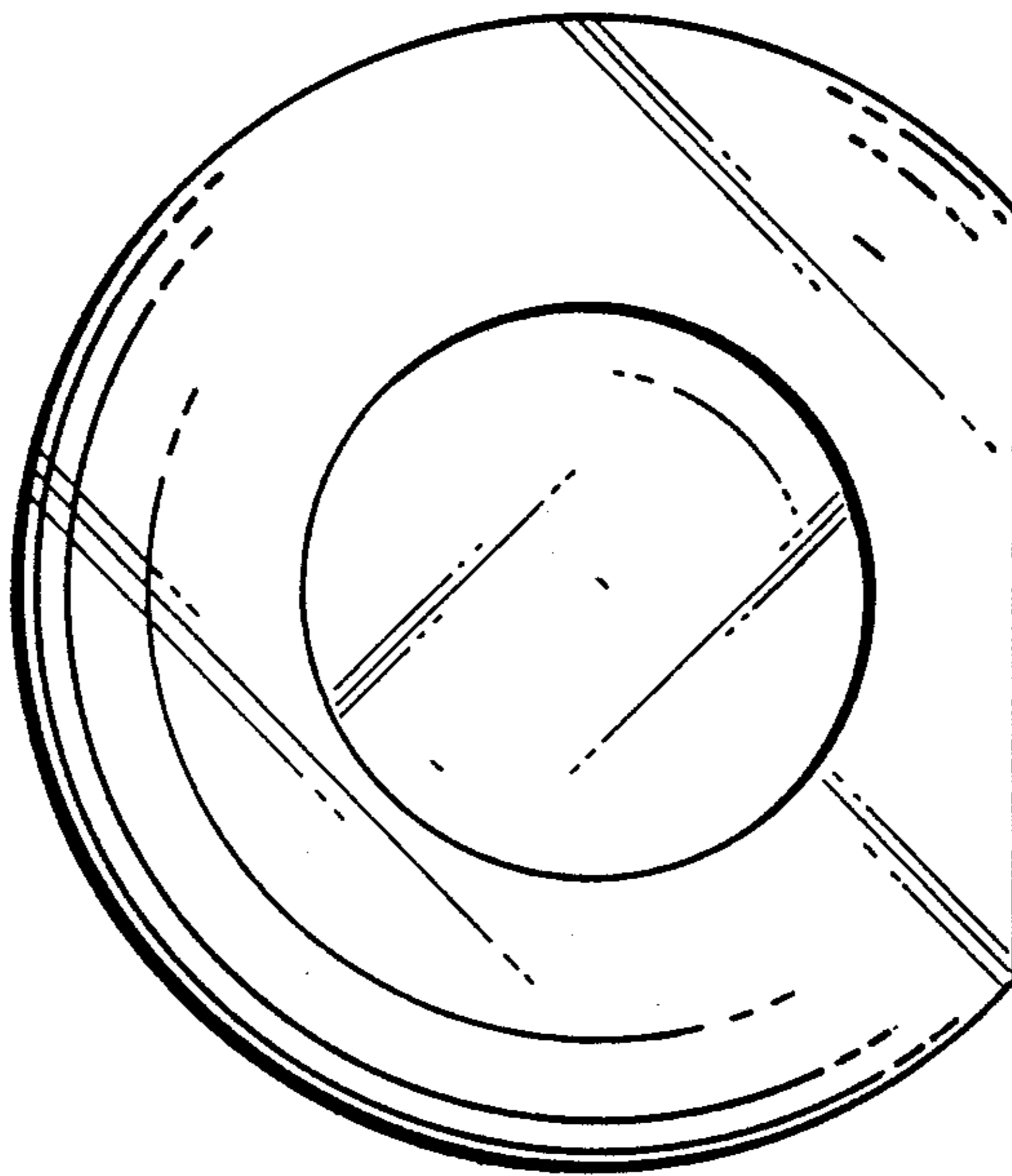
[57] **CLAIM**

The ornamental design for a wall mounted aquarium, substantially as shown.

**DESCRIPTION**

FIG. 1 is a top plan view of a wall mounted aquarium showing my new design;  
FIG. 2 is a bottom plan view thereof;  
FIG. 3 is a front elevational view thereof;  
FIG. 4 is a left side elevational view thereof;  
FIG. 5 is a rear elevational view thereof; and  
FIG. 6 is a right side elevational view thereof.

[56] **References Cited**  
**U.S. PATENT DOCUMENTS**  
D. 104,981 6/1937 Munz ..... D30/6  
D. 185,831 8/1959 Kaake ..... D30/7  
D. 240,742 7/1976 Robert ..... D30/7  
D. 243,703 3/1977 Gamble ..... D30/8  
D. 244,553 5/1977 Robert ..... D30/7



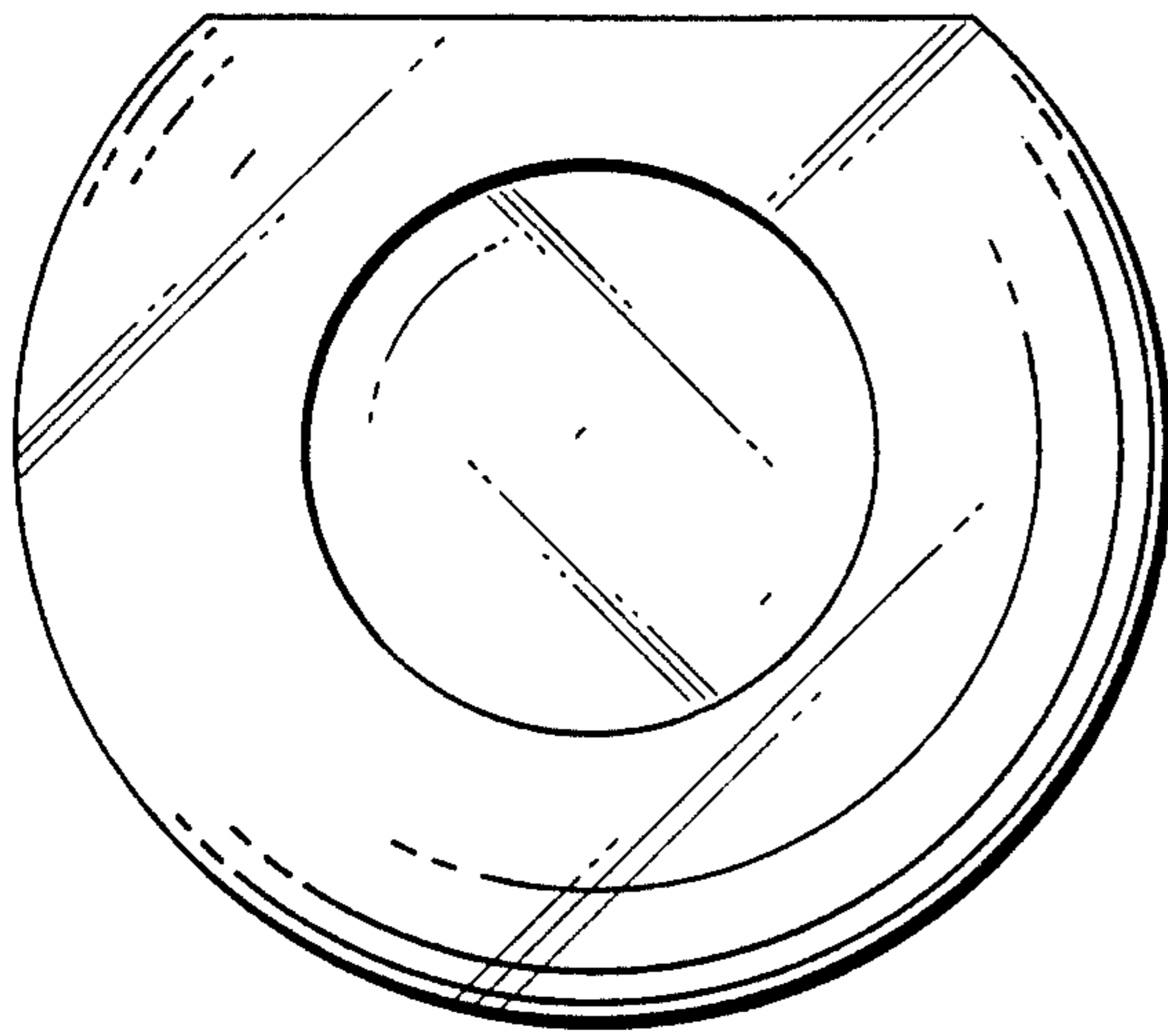


FIG. 1.

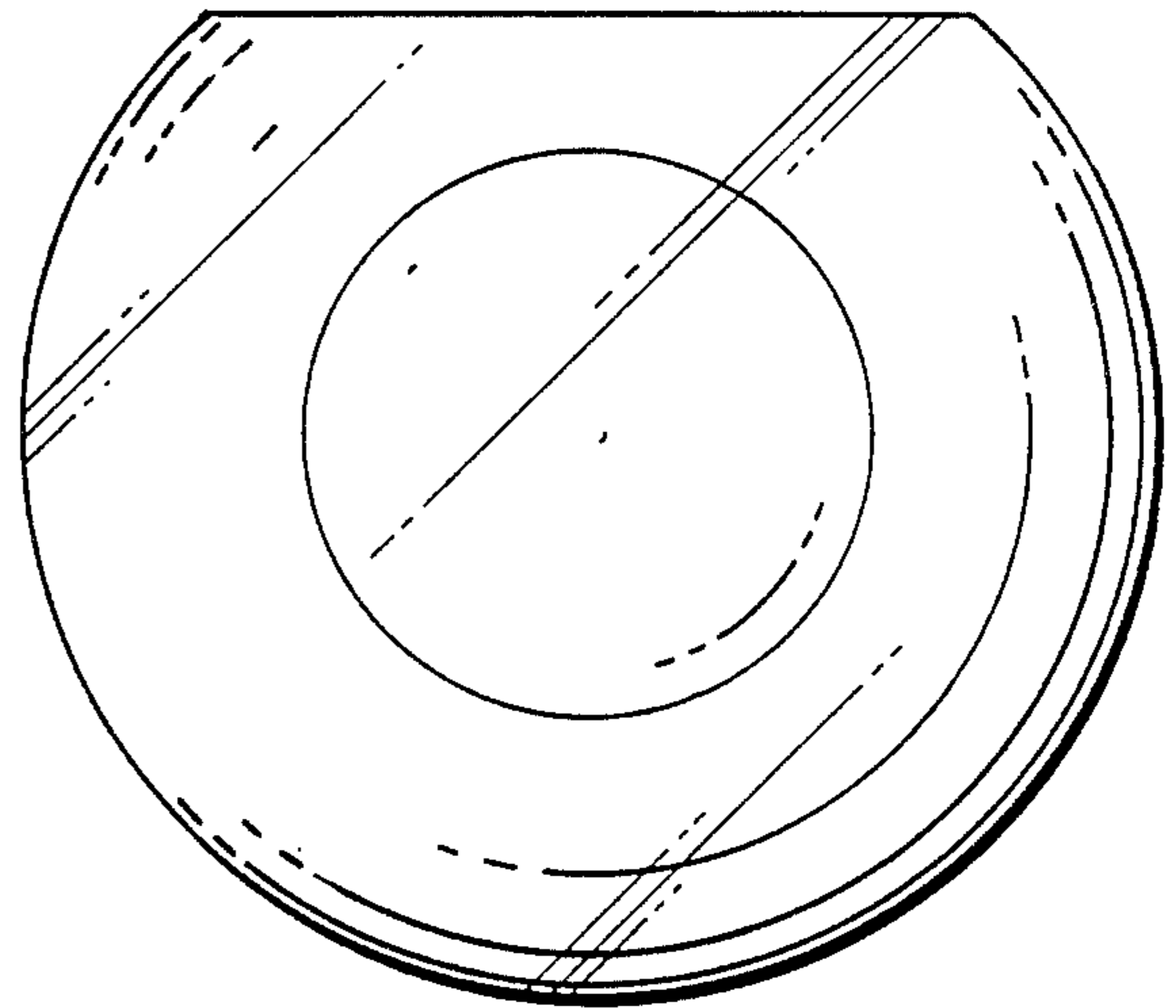


FIG. 2.

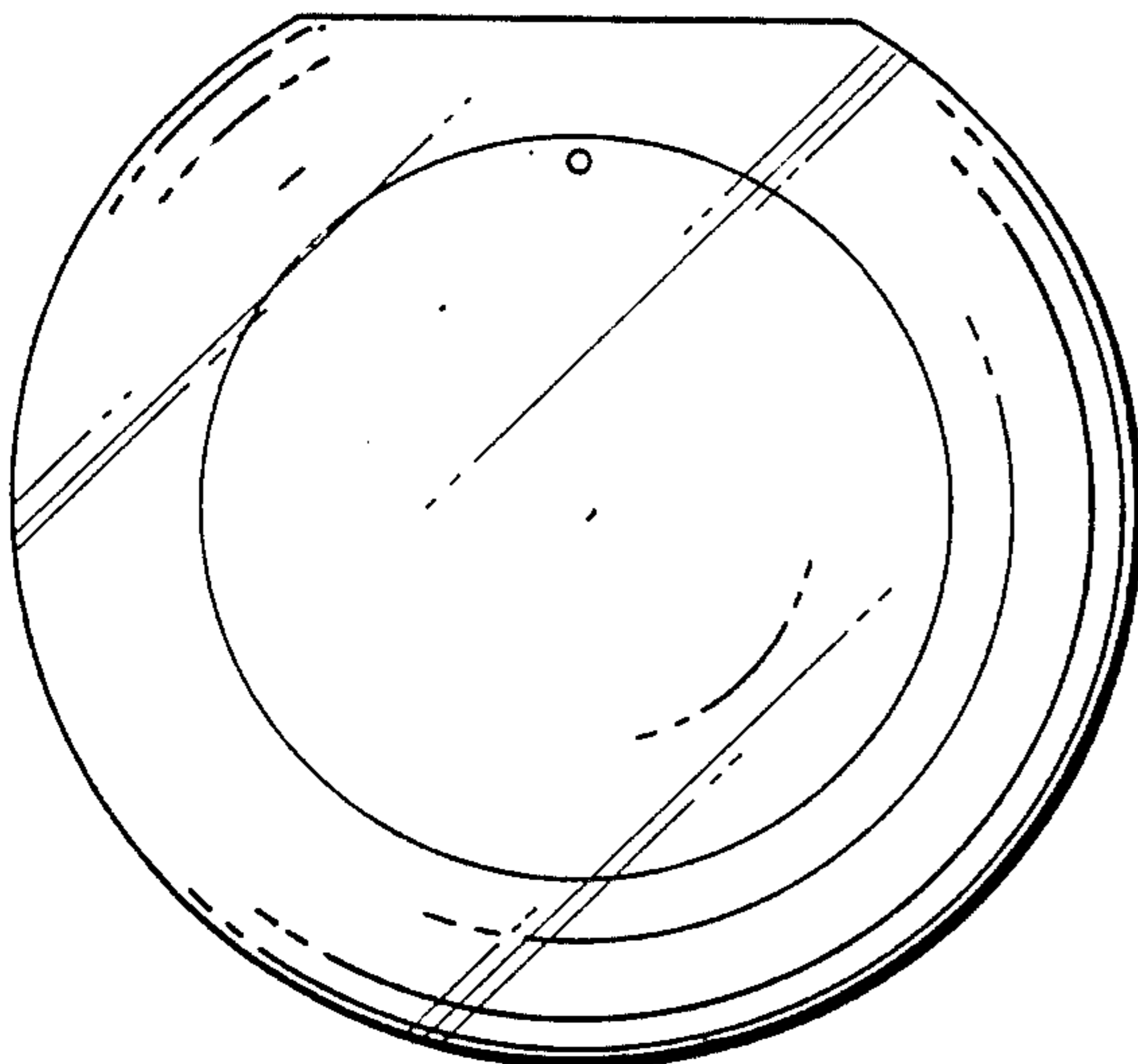


FIG. 3.

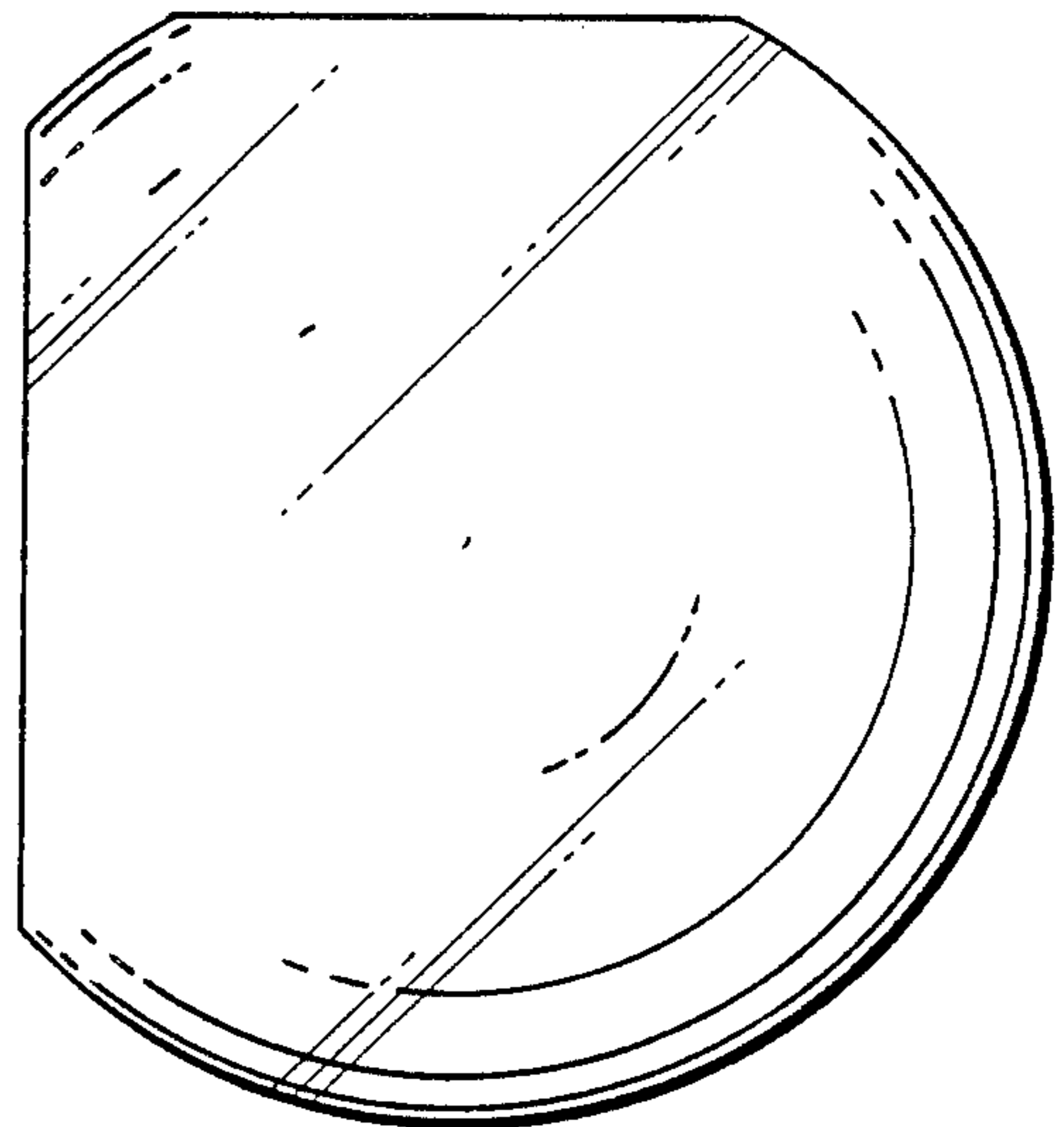


FIG. 4.

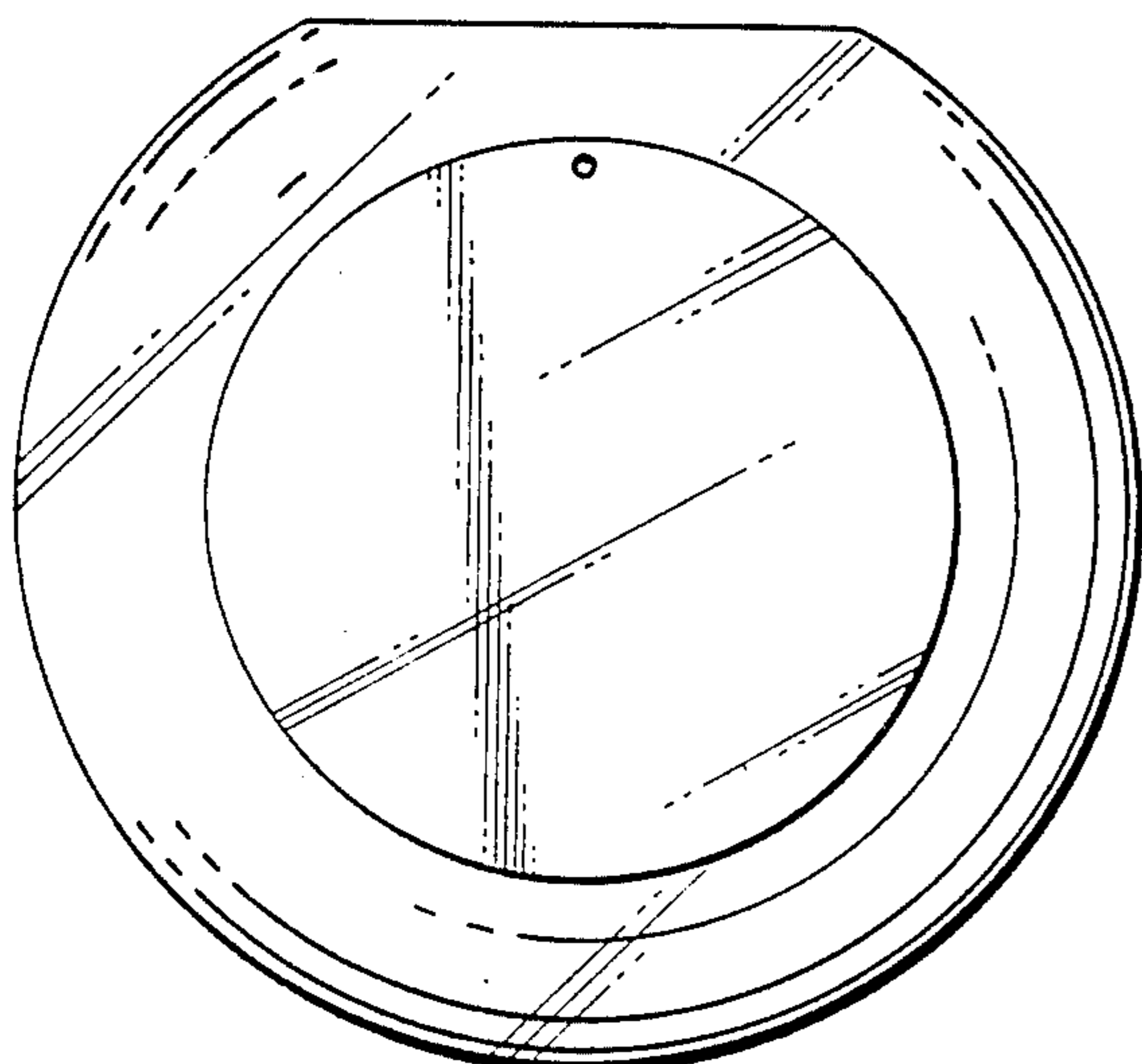


FIG. 5.

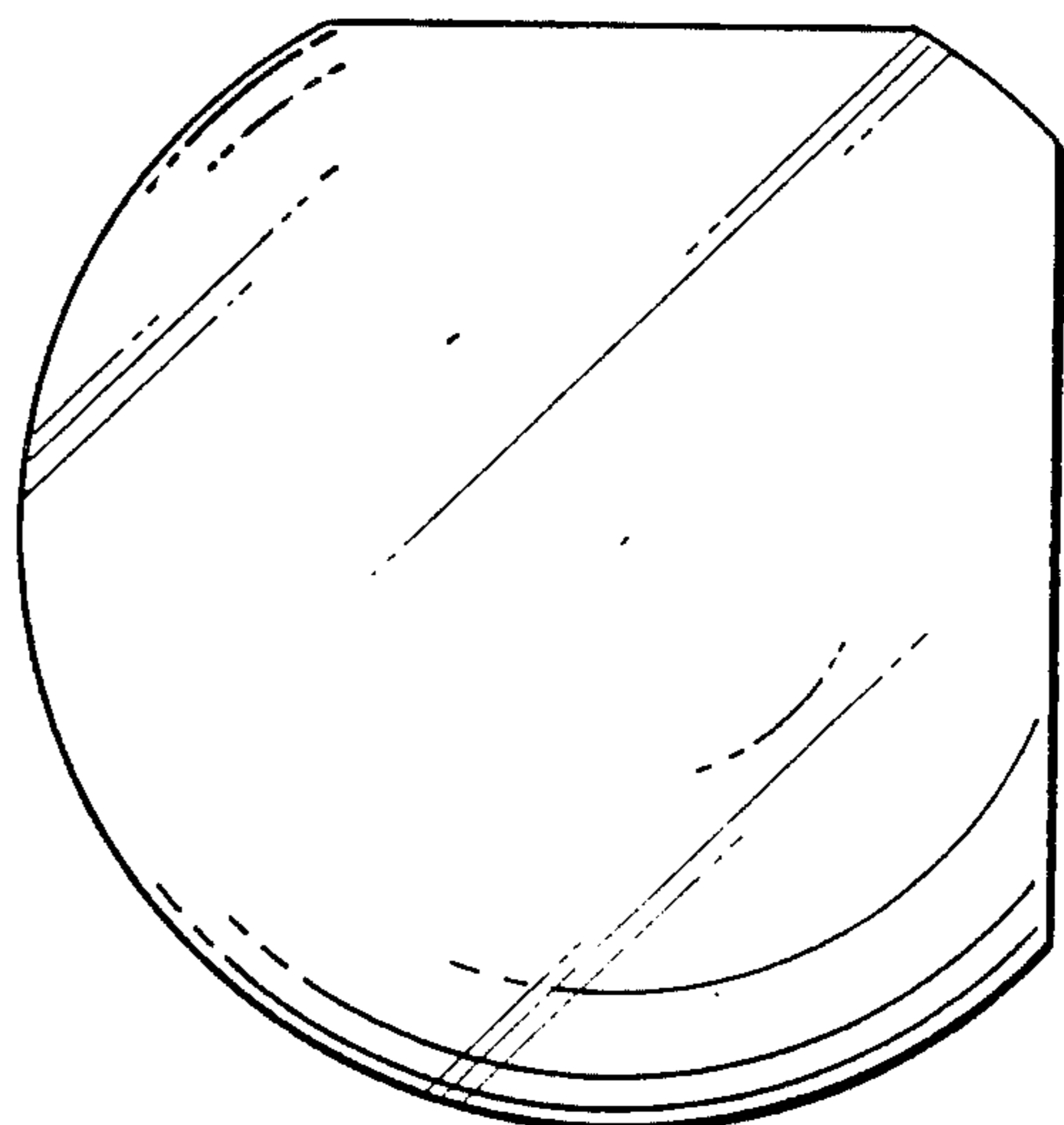


FIG. 6.