

# United States Patent [19]

Nakamura et al.

[11] Patent Number: **Des. 295,083**

[45] Date of Patent: **\*\* Apr. 5, 1988**

[54] **FLUORESCENT LAMP**

[75] Inventors: **Naoyuki Nakamura, Okayama;**  
**Masashi Sangen, Hyogo; Shuuzou**  
**Kanayama, Okayama, all of Japan**

[73] Assignee: **Matsushita Electric Industrial Co.,**  
**Ltd., Osaka, Japan**

[\*\*] Term: **14 Years**

[21] Appl. No.: **828,797**

[22] Filed: **Feb. 12, 1986**

[30] **Foreign Application Priority Data**

Aug. 12, 1985 [JP] Japan ..... 60-34444

[52] U.S. Cl. .... **D26/3**

[58] Field of Search ..... **D26/1, 2, 3, 4, 26;**  
**313/315, 317, 318, 113, 115, 116, 493; 362/217,**  
**297, 307, 309, 310, 311, 326, 337, 338, 339**

[56] **References Cited**

### U.S. PATENT DOCUMENTS

D. 271,424 11/1983 Young et al. .... **D26/3 X**  
2,798,147 7/1957 Orsatti ..... **362/216 X**

3,541,380 11/1970 Spiteri ..... 313/318  
3,611,009 10/1971 McNeil ..... 315/57  
4,225,905 9/1980 Moriyama et al. .... 362/216  
4,282,563 8/1981 Ohta et al. .... 362/216

### FOREIGN PATENT DOCUMENTS

317364 6/1970 Japan ..... **D26/2**

*Primary Examiner*—Susan J. Lucas  
*Attorney, Agent, or Firm*—Sughrue, Mion, Zinn,  
Macpeak, and Seas

[57] **CLAIM**

The ornamental design for a fluorescent lamp, as shown and described.

### DESCRIPTION

FIG. 1 is a top perspective view of a fluorescent lamp showing our new design, the lamp being symmetrical about its vertical axis;  
FIG. 2 is a bottom perspective view thereof;  
FIG. 3 is an elevational view thereof;  
FIG. 4 is a further elevational view thereof, circumferentially spaced from that of FIG. 3;  
FIG. 5 is a top plan view thereof; and  
FIG. 6 is a bottom plan view thereof.

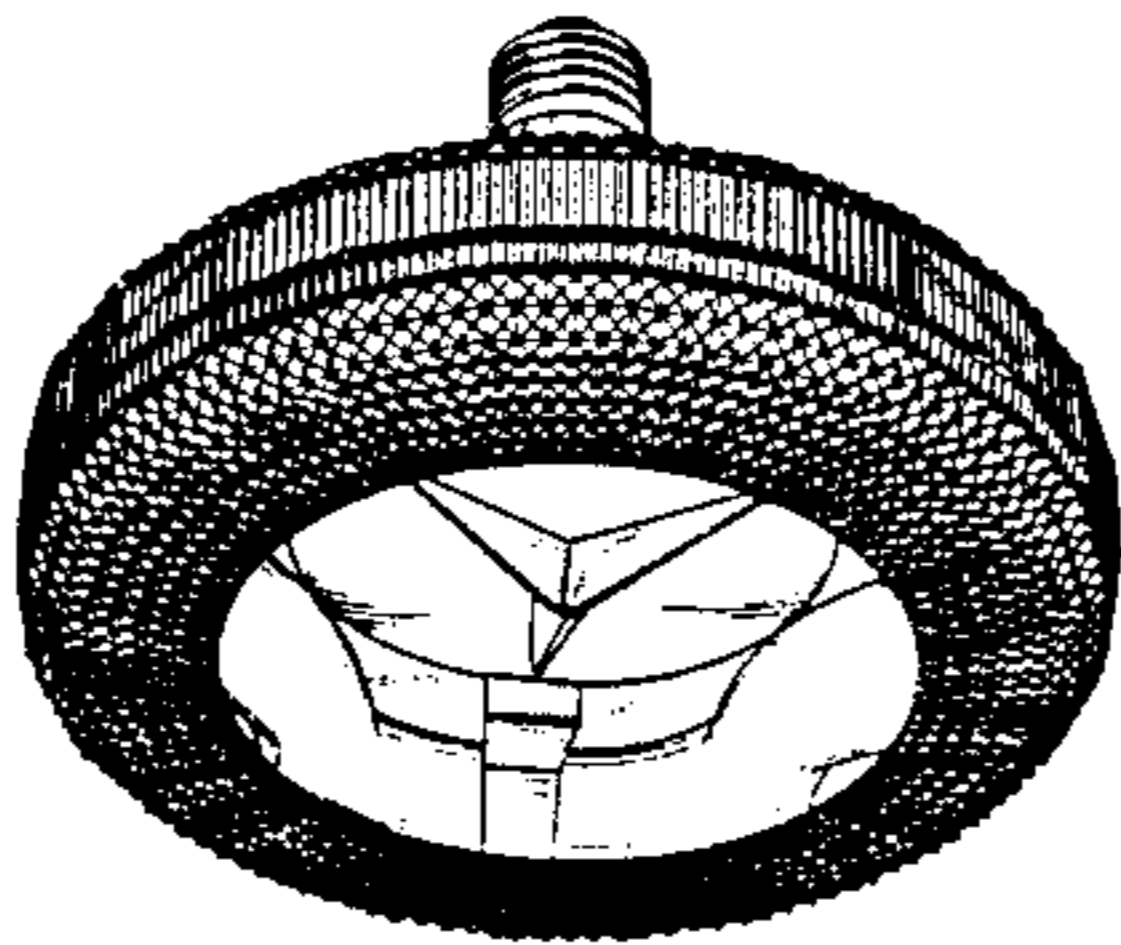
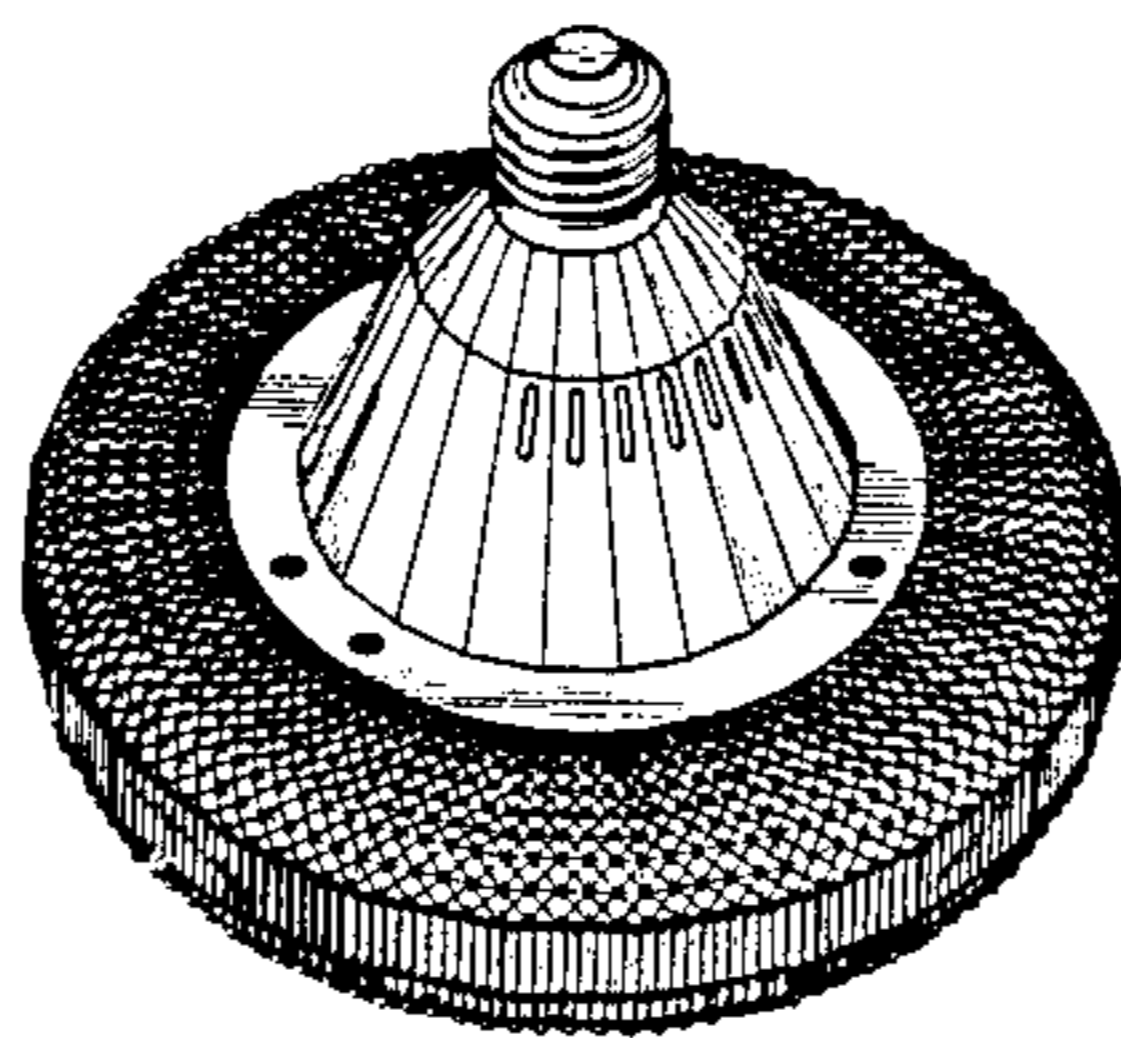


Fig. 1

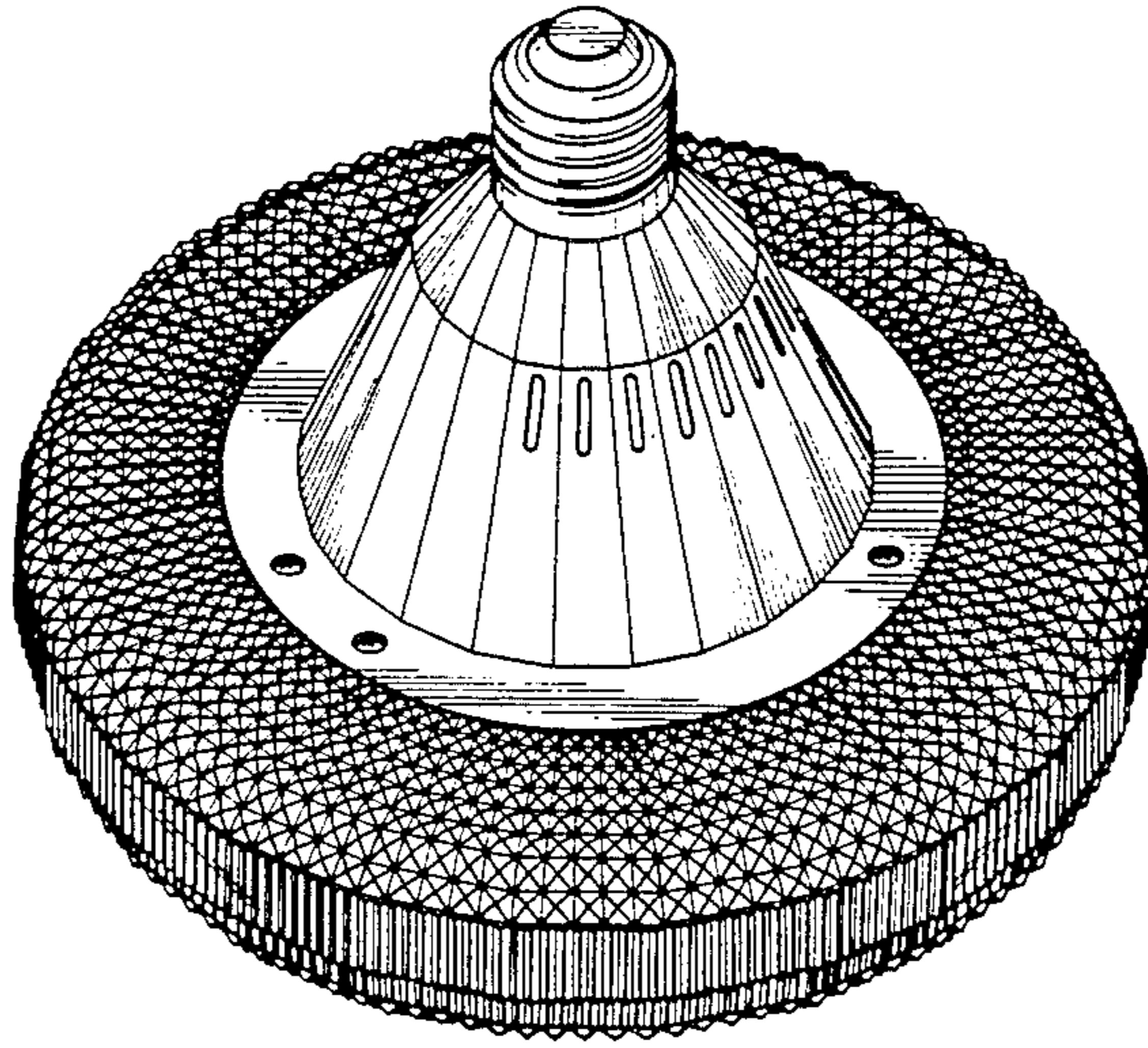


Fig. 2

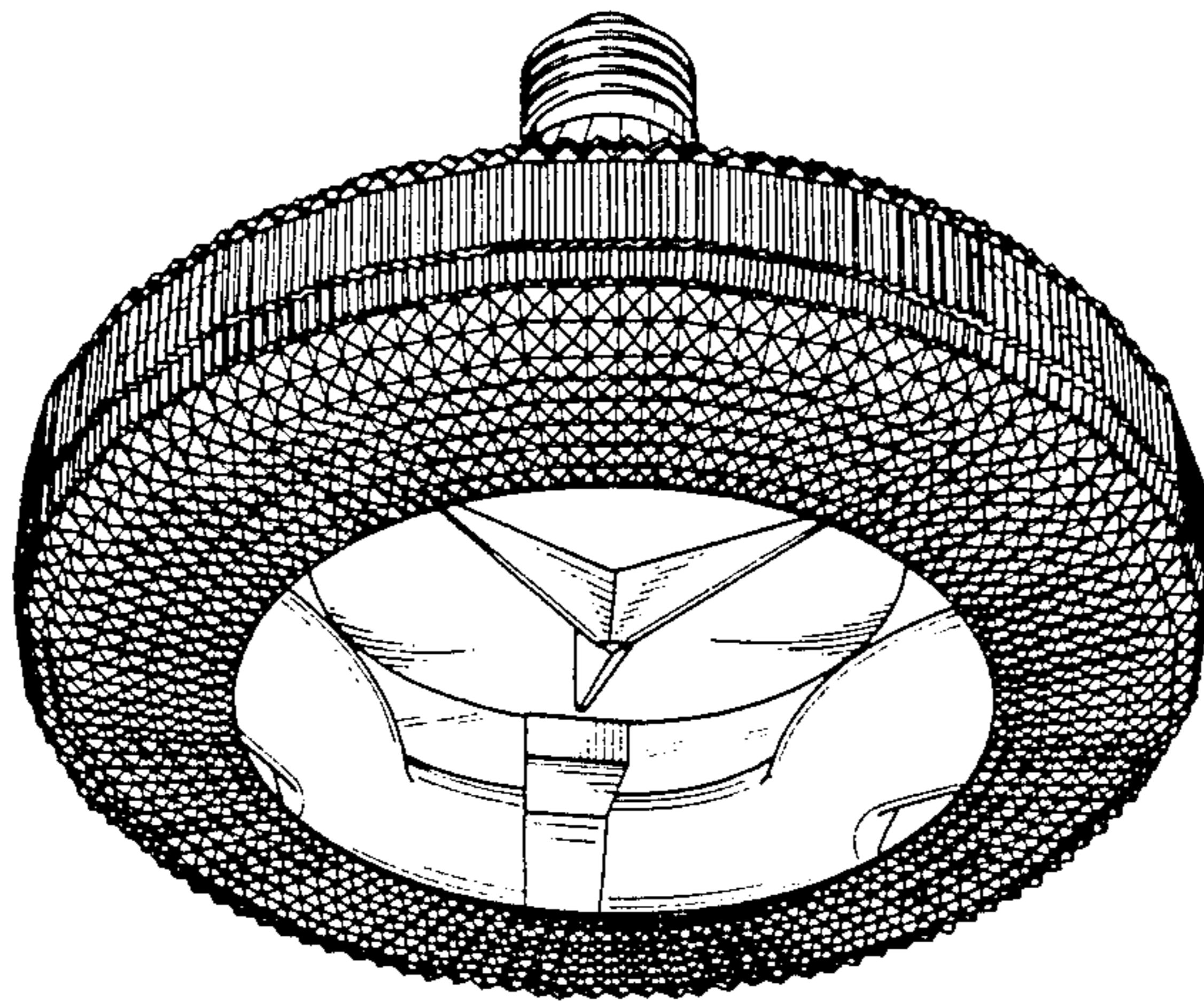


Fig. 3

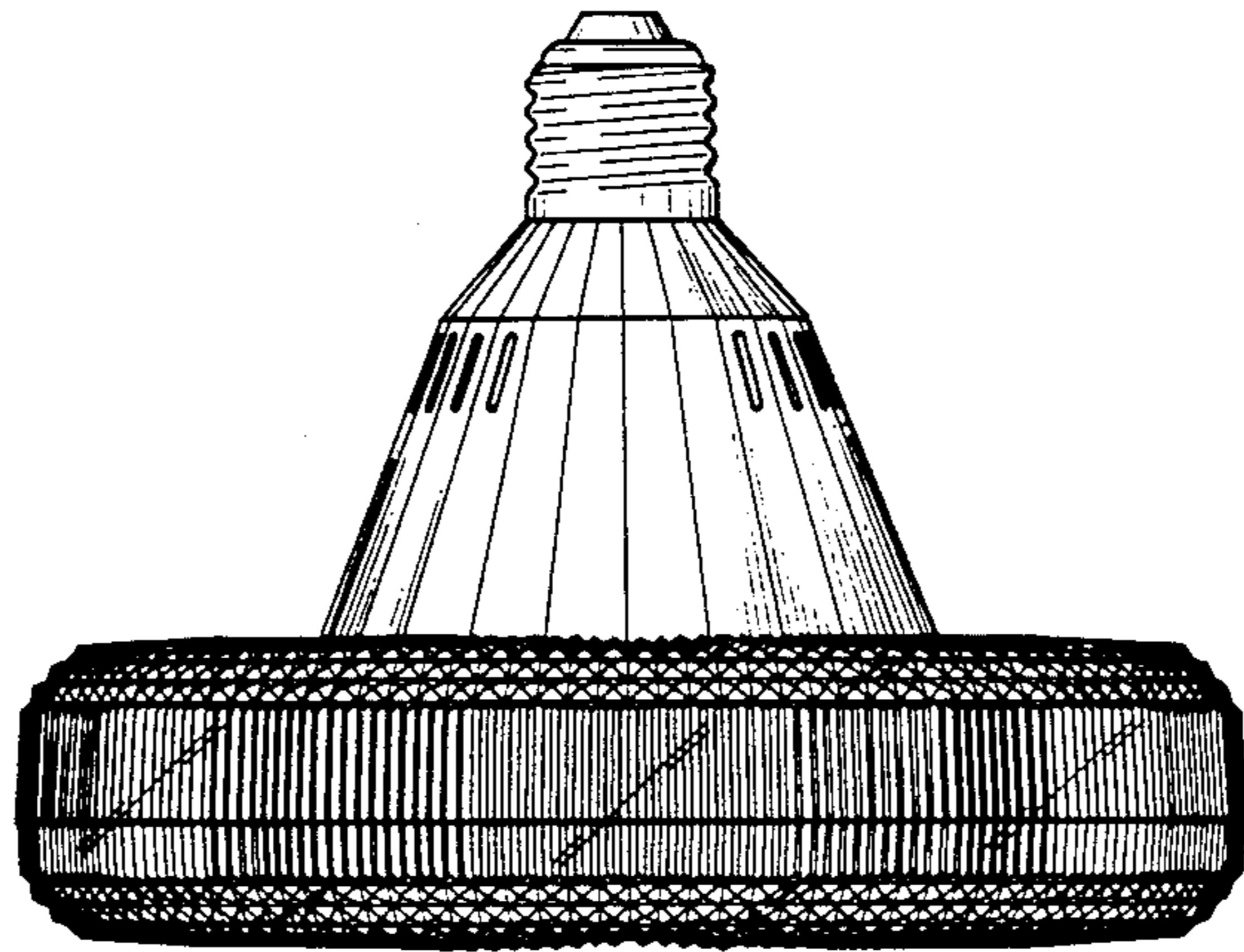


Fig. 4

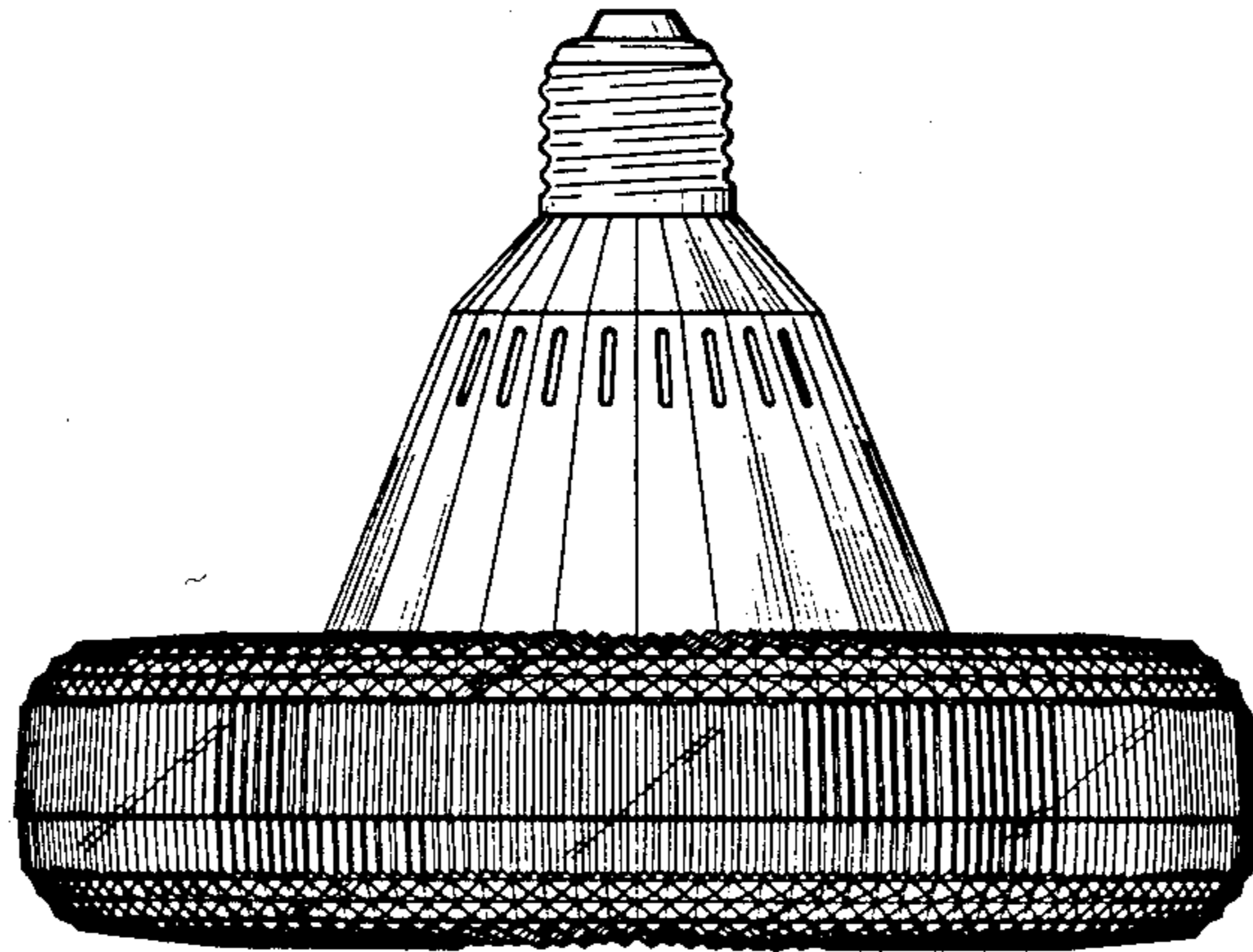


Fig. 5

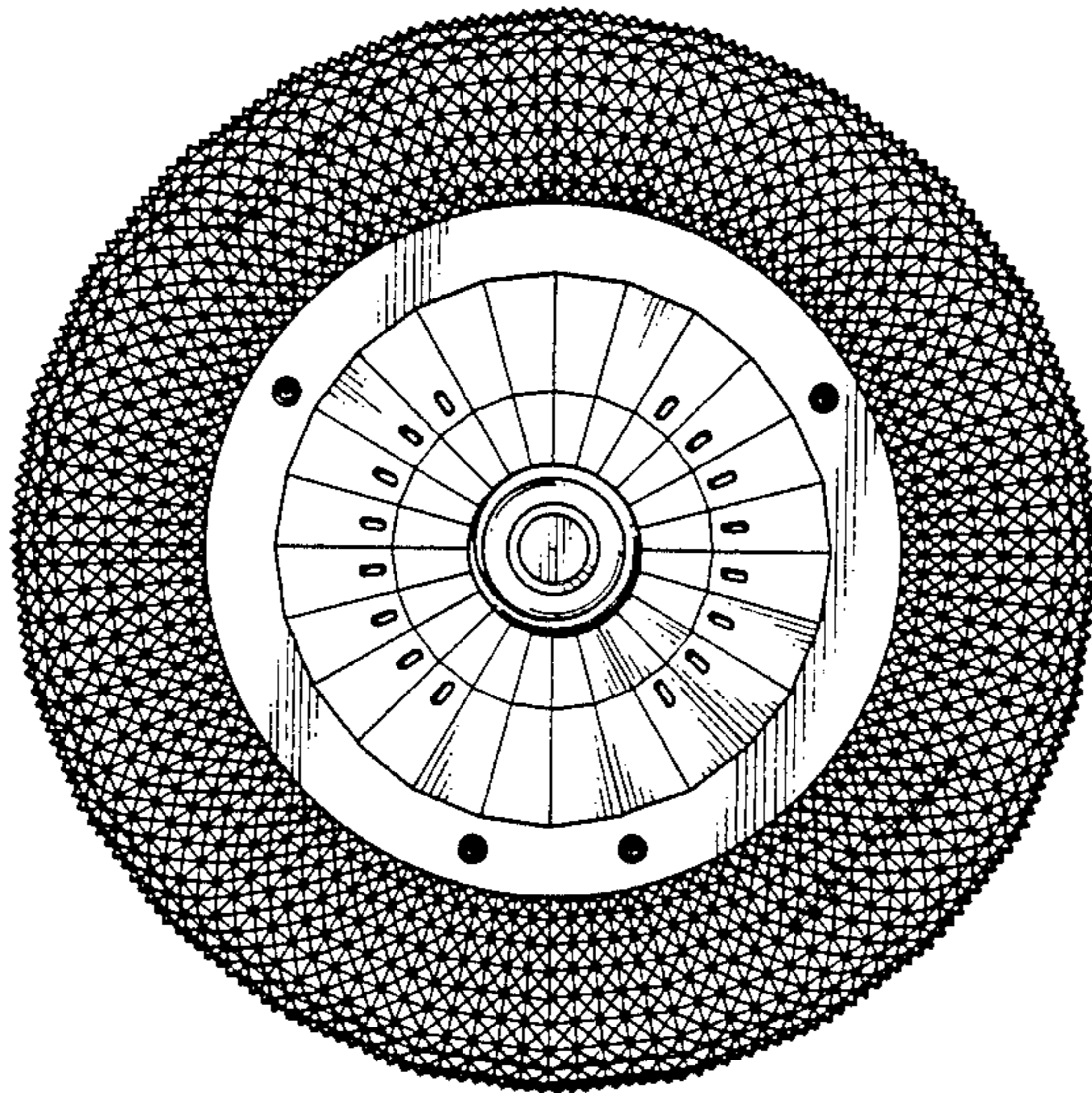


Fig. 6

