

United States Patent [19]

Willan

[11] Patent Number: Des. 295,080

[45] Date of Patent: ** Apr. 5, 1988

[54] VERGE CAPPING MEMBER

[75] Inventor: Robert P. A. Willan, Millington,
Near Altrincham, England

[73] Assignee: R.R. & J. Willan Limited, England

[**] Term: 14 Years

[21] Appl. No.: 710,177

[22] Filed: Mar. 11, 1985

[30] Foreign Application Priority Data

Sep. 18, 1984 [GB] United Kingdom 1022138

[52] U.S. Cl. D25/60; D25/55;
D25/61; D25/119

[58] Field of Search 52/716, 94, 96; D25/74,
D25/55, 60, 61; D8/366

[56] References Cited

U.S. PATENT DOCUMENTS

D. 257,993 1/1981 DeMars D8/366 X

D. 270,003 8/1983 Quinnell D25/60
4,109,428 8/1978 Aarons 52/94
4,226,059 10/1980 Pichette 52/94
4,594,820 6/1986 Render 52/94 X

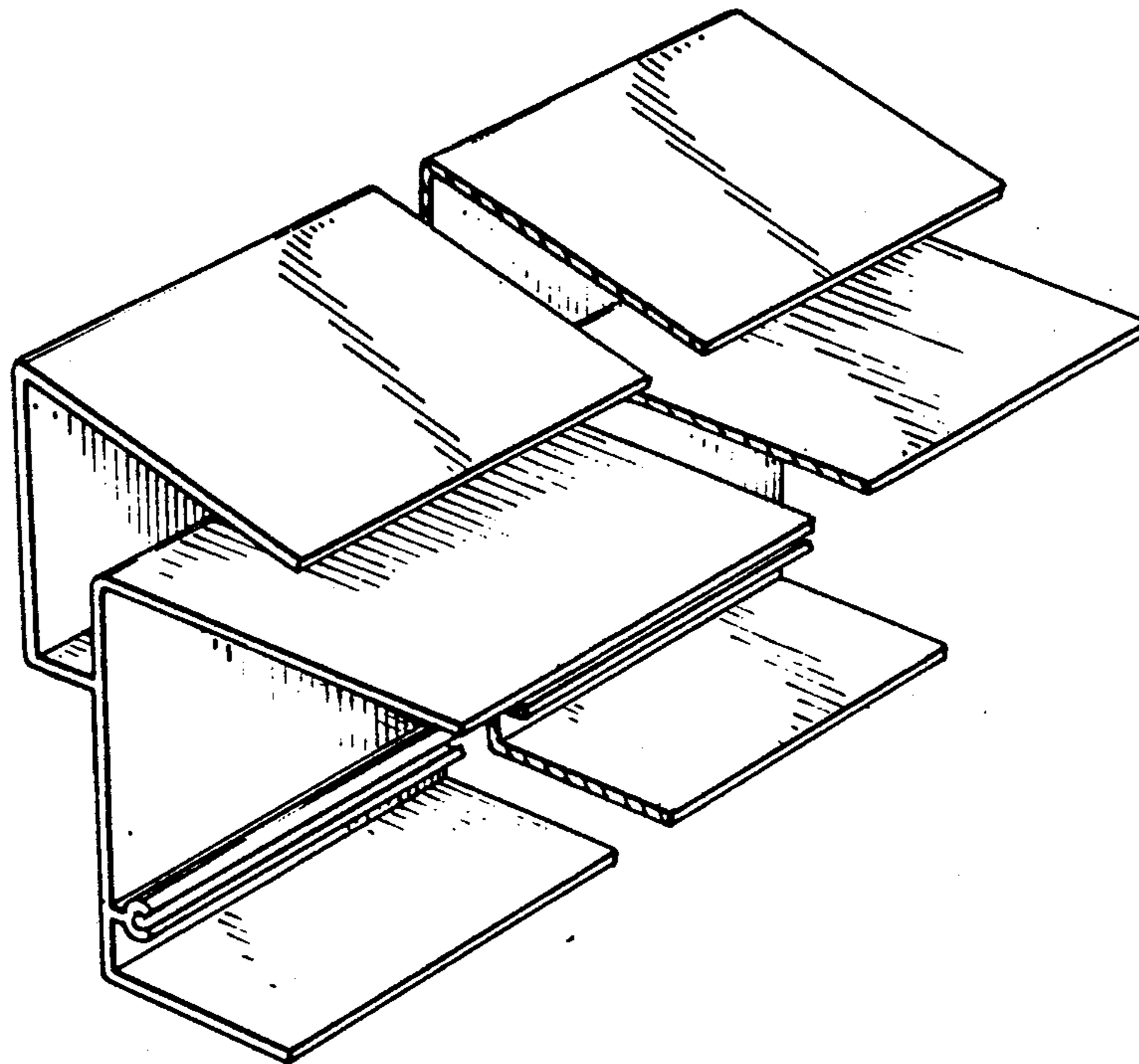
Primary Examiner—A. Hugo Word
Attorney, Agent, or Firm—Pearson & Pearson

[57] CLAIM

The ornamental design for a verge capping member, as shown and described.

DESCRIPTION

FIG. 1 is an end elevation of a verge capping member embodying my new design;
FIG. 2 is a perspective view of the system shown in FIG. 1;
FIG. 3 is a front elevation of the system as shown in FIG. 1; and
FIG. 4 is a bottom plan view of the system as shown in FIG. 1.
The article shown is of indefinite length and of constant crosssection throughout.



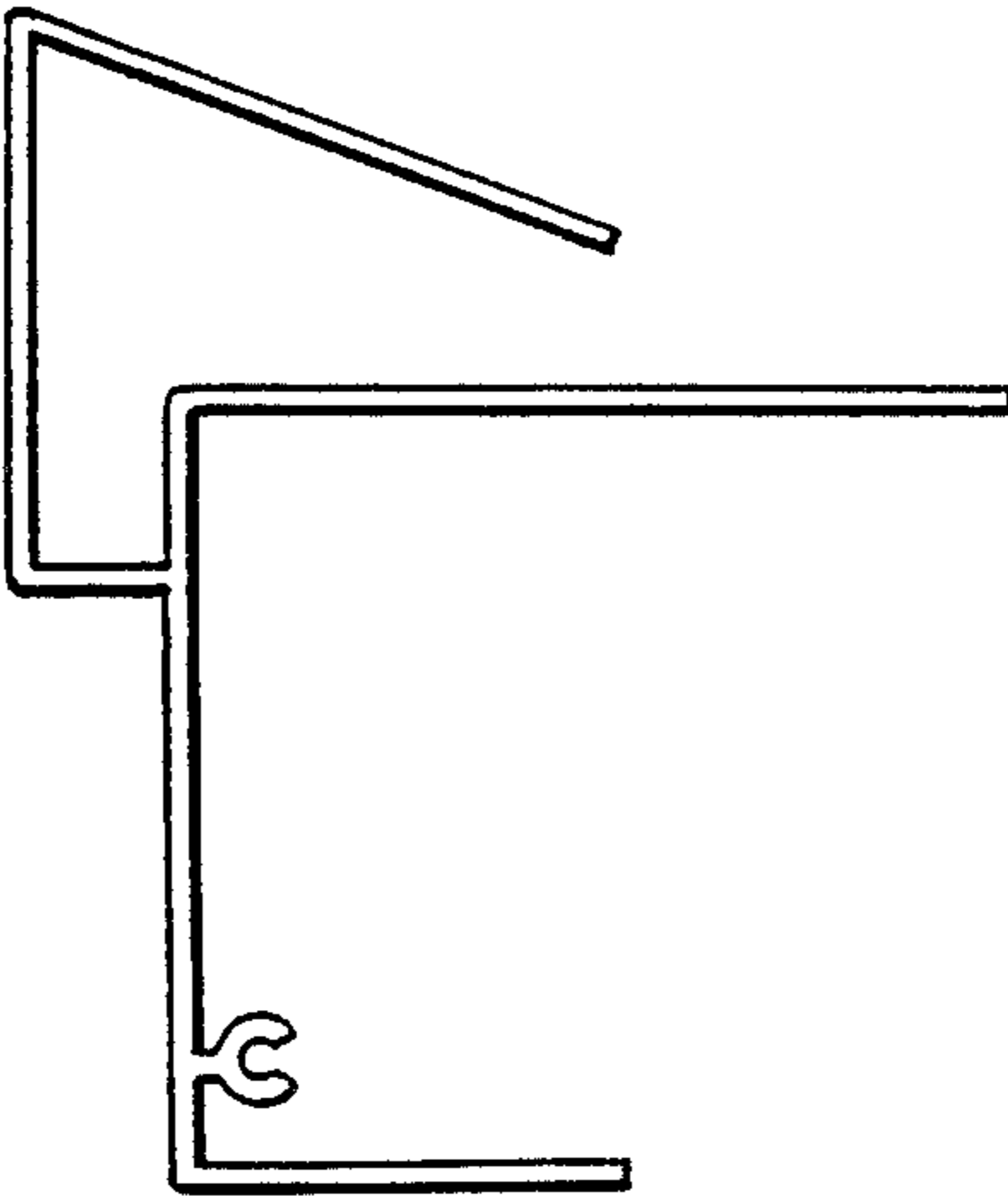


FIG. 1

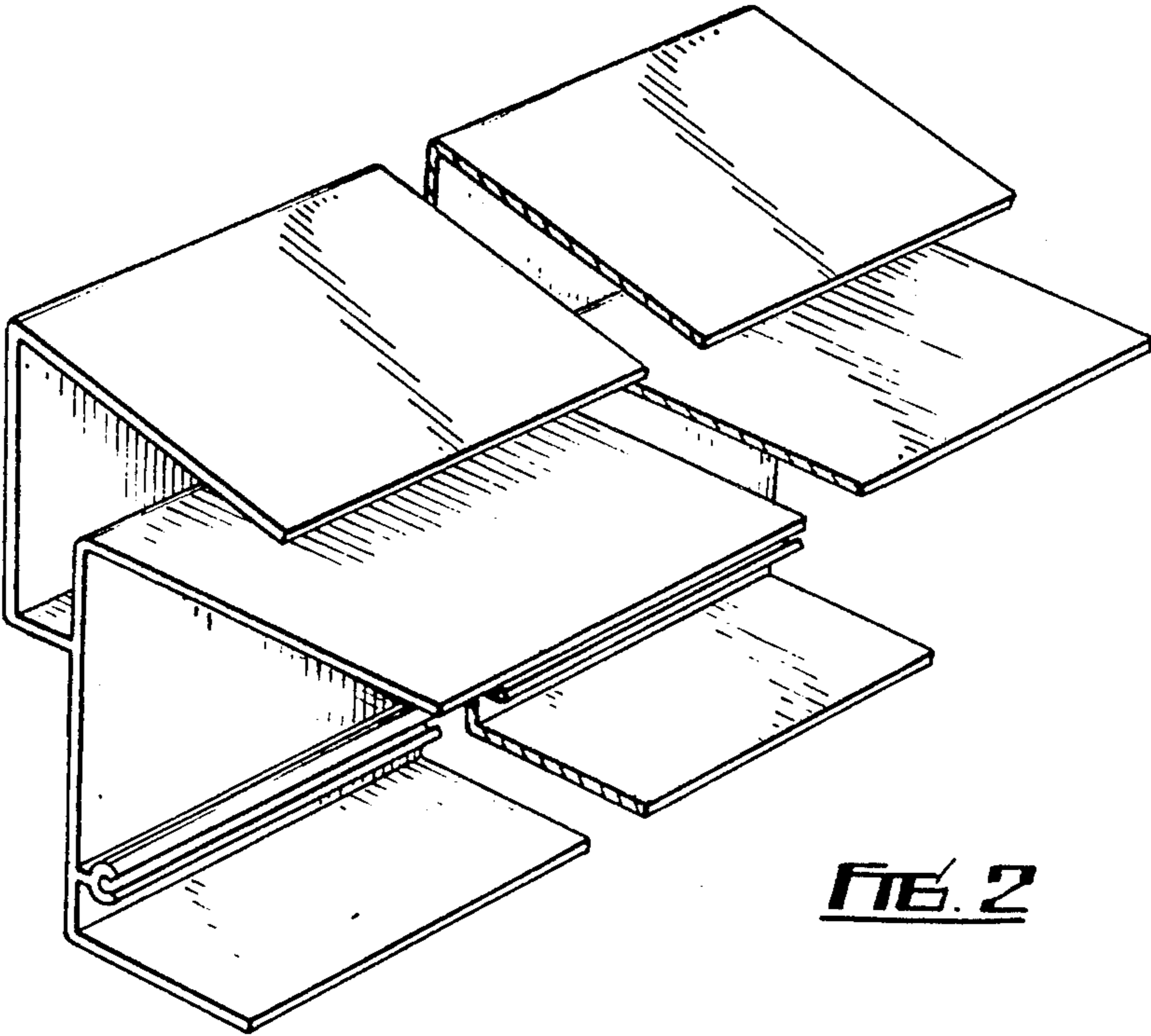


FIG. 2

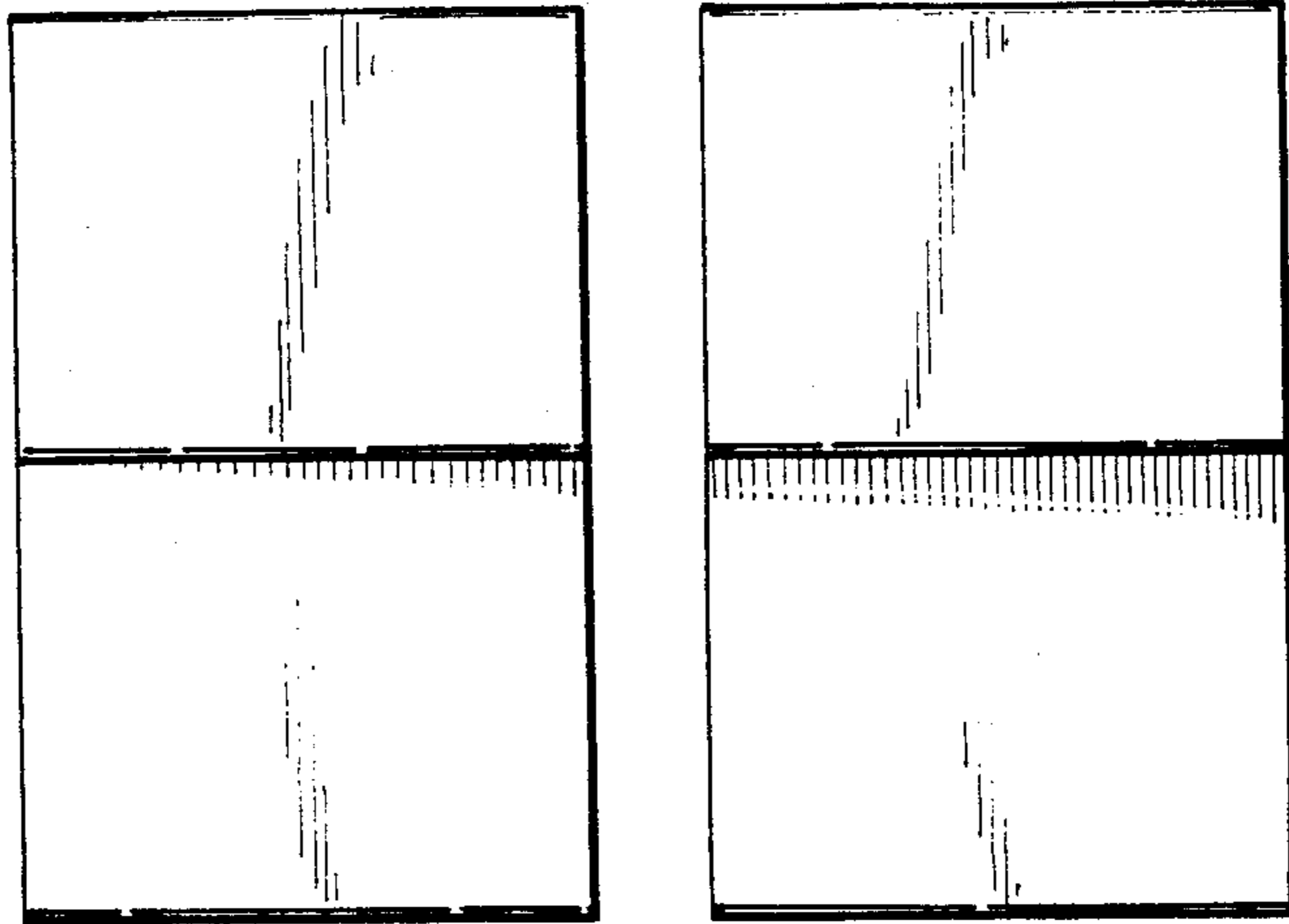


FIG. 3

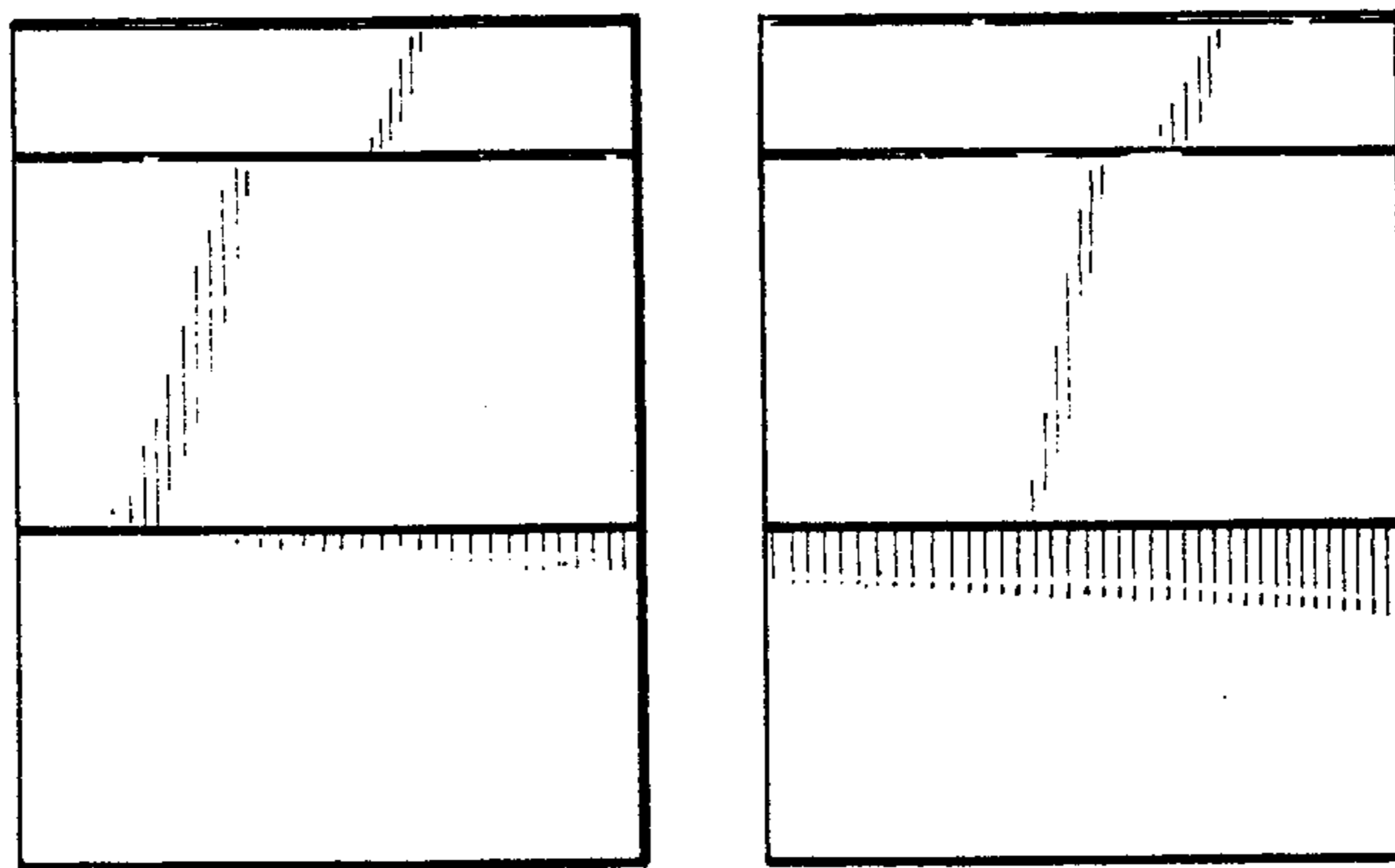


FIG. 4