

[54] COMBINED INSTRUMENT  
STERILIZATION AND STORAGE CASSETTE

4,551,311 11/1985 Lorenz ..... 422/310 X  
4,671,943 6/1987 Wahlquist ..... 422/300

[75] Inventors: Charles R. Jerge, Winston-Salem,  
N.C.; Bruce B. Frankel, Crystal  
Lake; Karl Zoll, Glenview, both of  
Ill.

Primary Examiner—A. Hugo Word  
Assistant Examiner—Stella M. Reid  
Attorney, Agent, or Firm—Laff, Whitesel, Conte & Saret

[73] Assignee: Hu-Friedy Manufacturing Co., Inc.,  
Chicago, Ill.

[57] CLAIM

The ornamental design for a combined instrument ster-  
ilization and storage cassette, substantially as shown and  
described.

[\*\*] Term: 14 Years

[21] Appl. No.: 757,788

DESCRIPTION

[22] Filed: Jul. 22, 1985

[52] U.S. Cl. .... D24/9

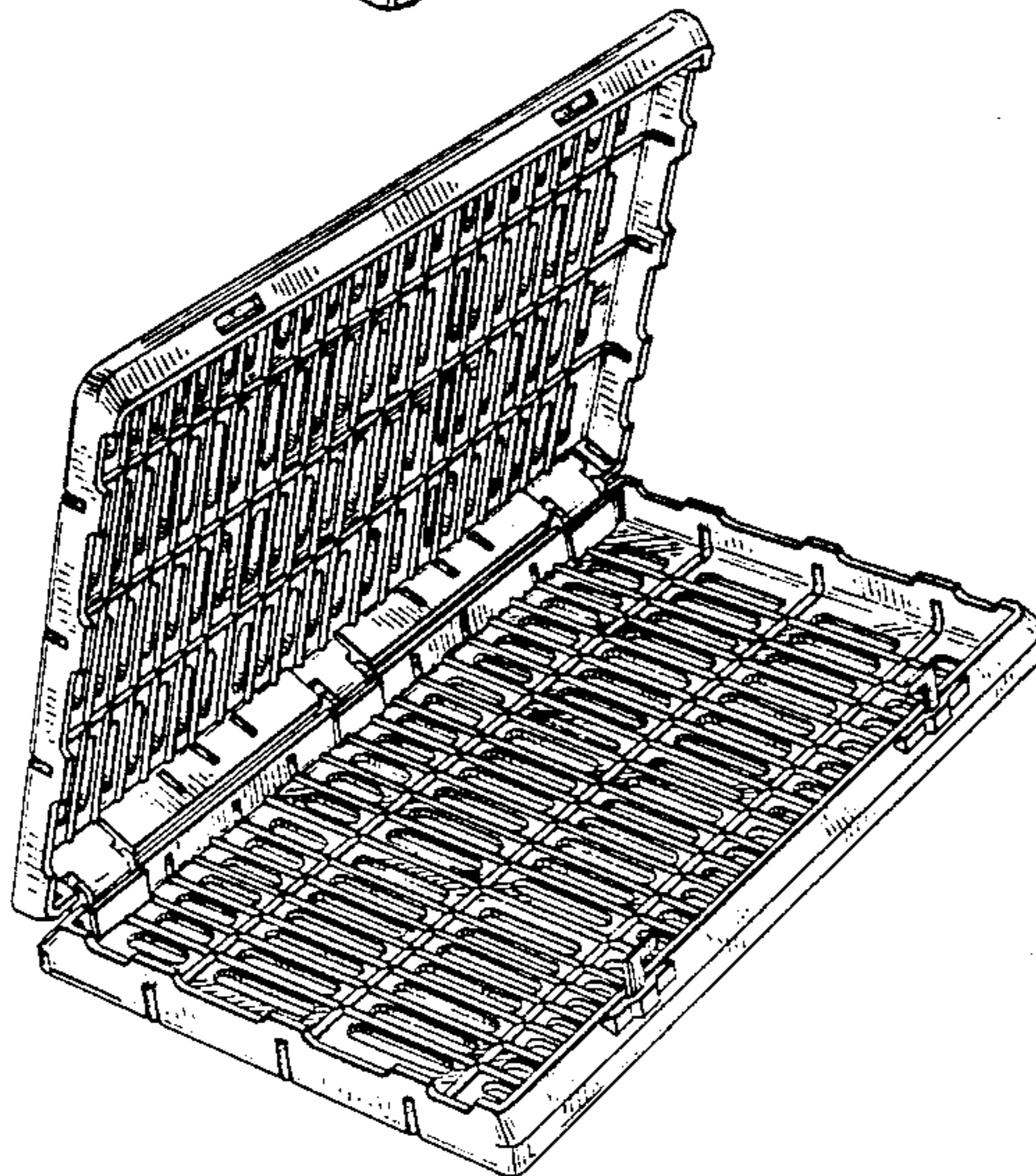
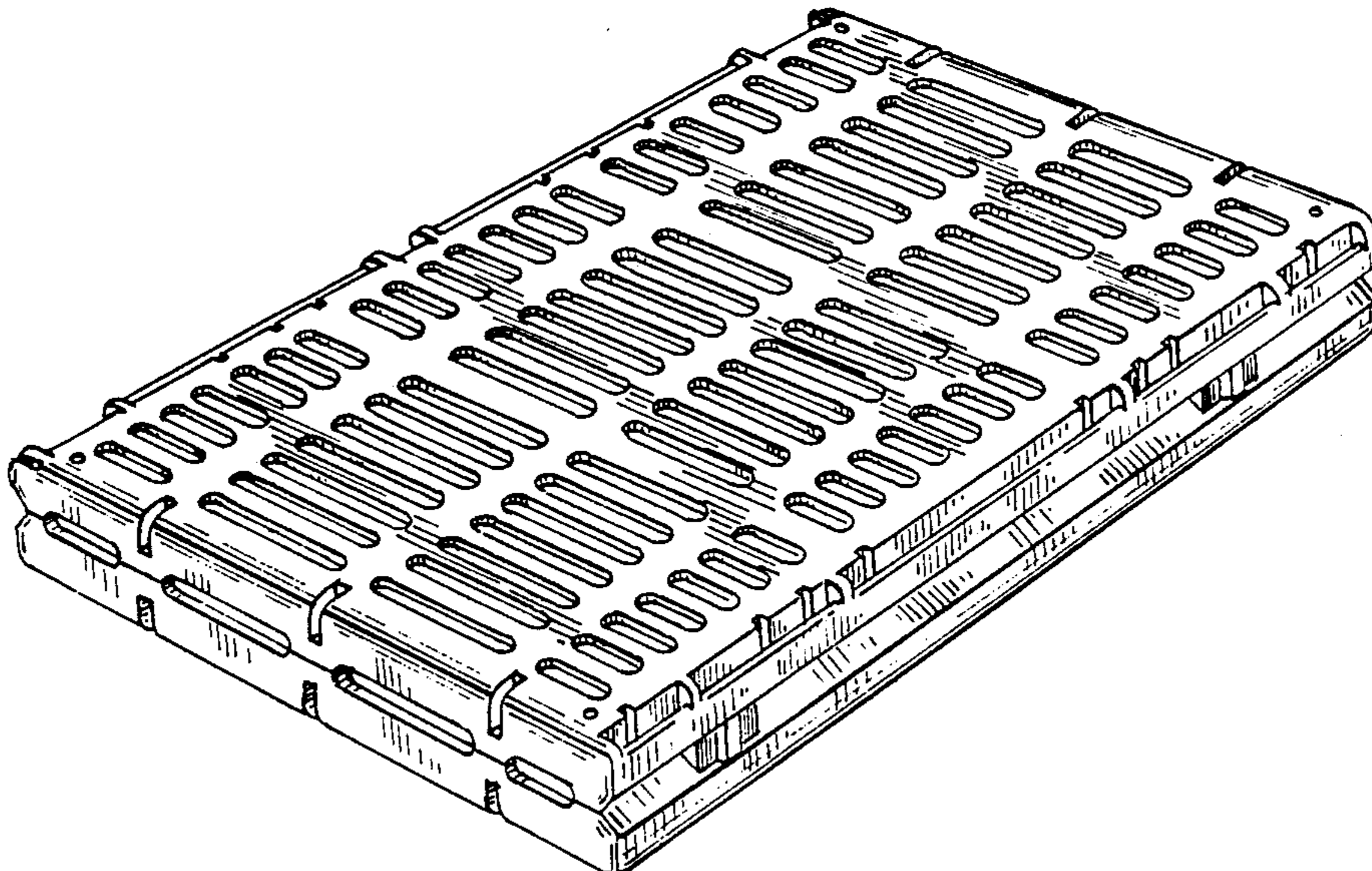
[58] Field of Search ..... D24/9; 422/310, 300;  
206/368; 210/300

FIG. 1 is a perspective view of a combined instrument  
sterilization and storage cassette showing our new de-  
sign in closed position;  
FIG. 2 is a top plan view thereof;  
FIG. 3 is a front elevational view thereof;  
FIG. 4 is a side elevational view thereof;  
FIG. 5 is a rear elevational view thereof;  
FIG. 6 is a bottom plan view thereof; and  
FIG. 7 is a perspective view of the cassette in its open  
position.

[56] References Cited

U.S. PATENT DOCUMENTS

3,697,223 10/1972 Kovalcik et al. .... 206/370  
4,046,254 9/1977 Kramer ..... 206/370



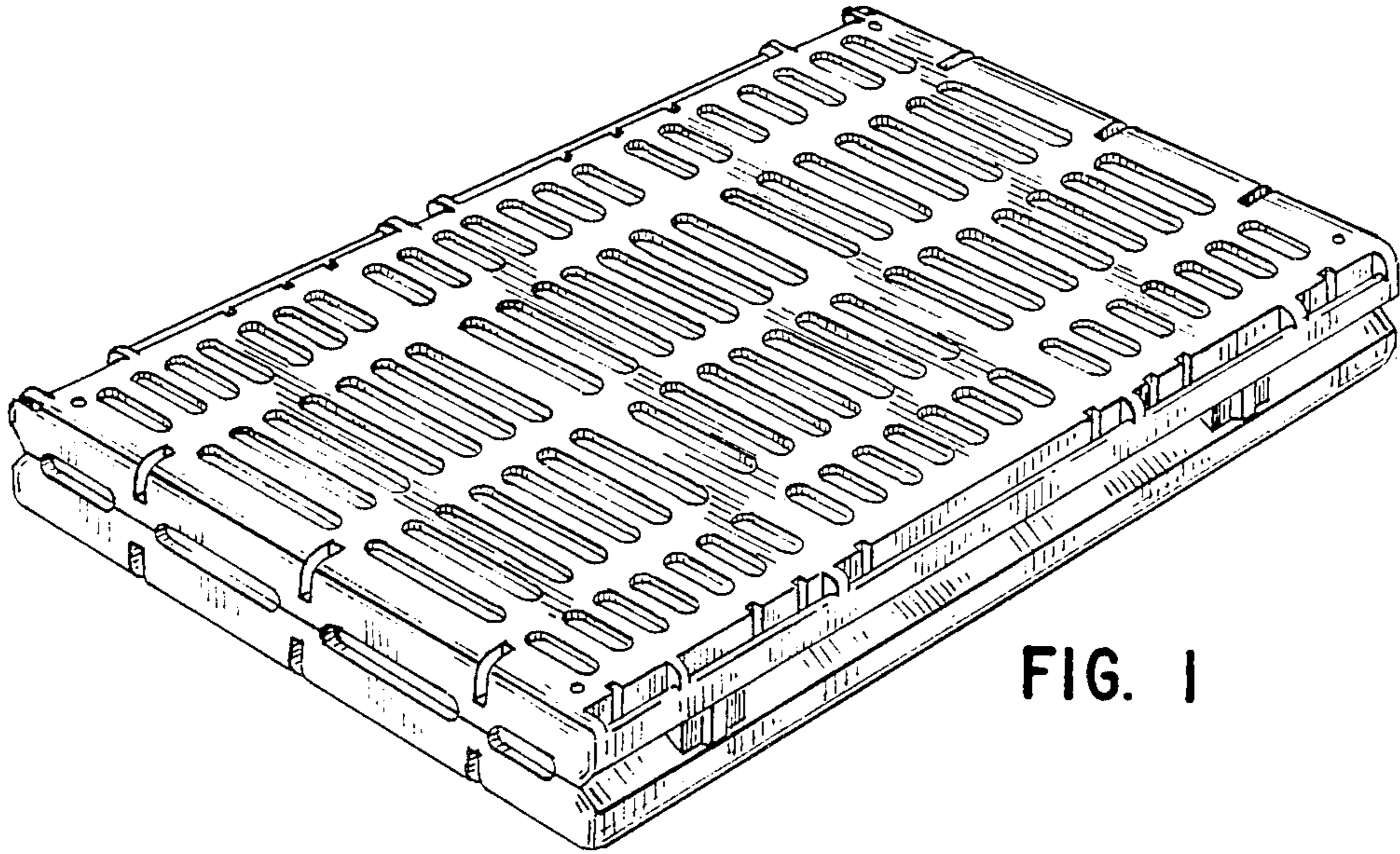


FIG. 1

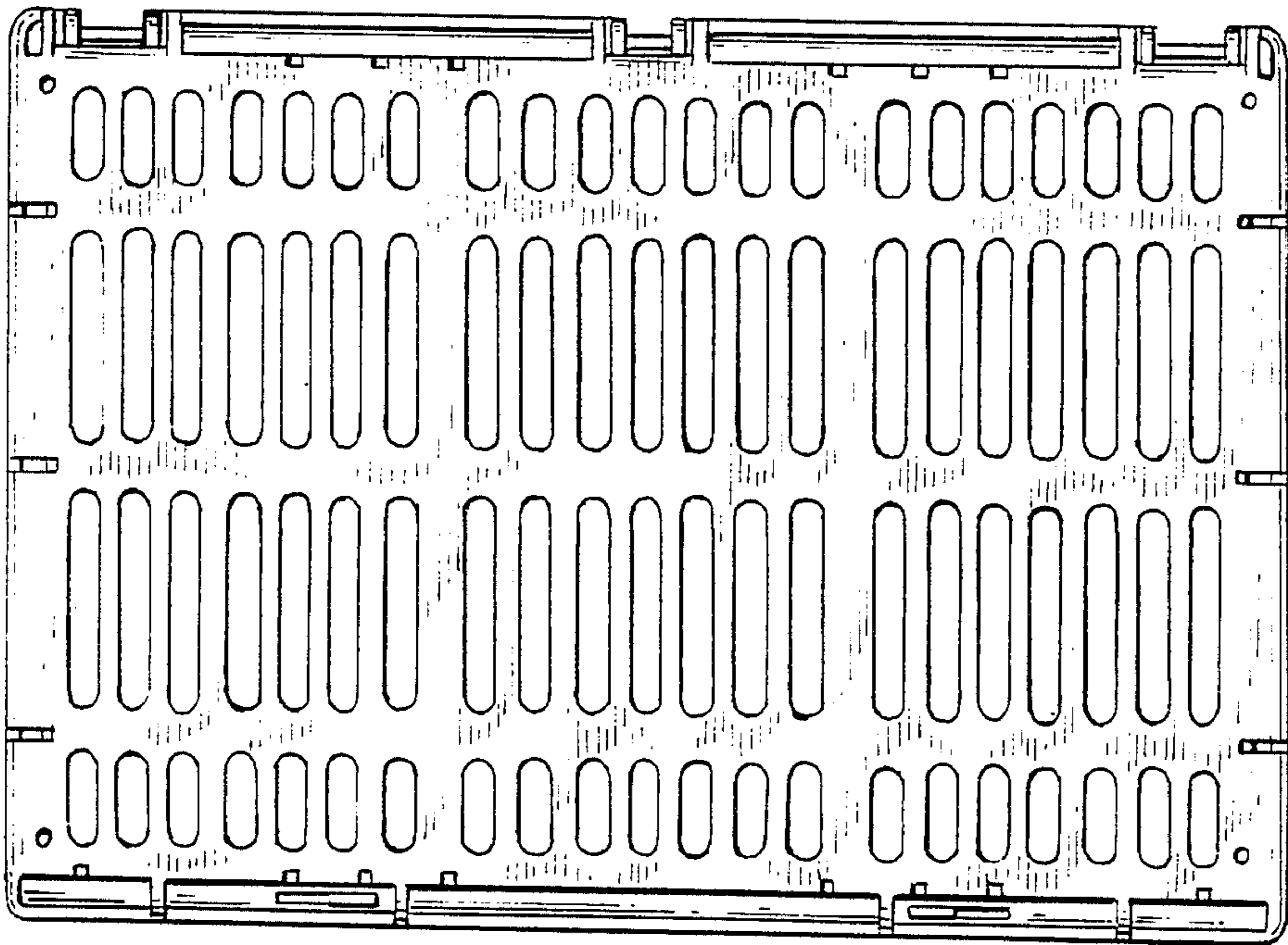


FIG. 2

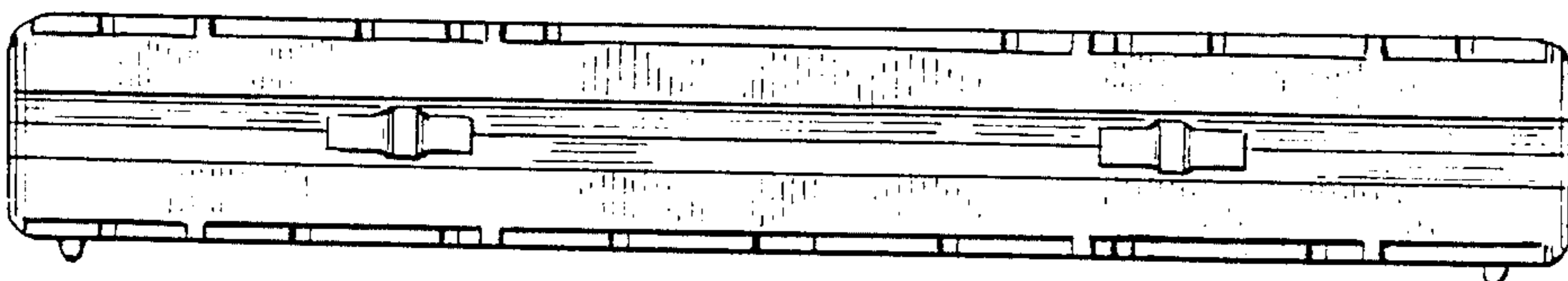


FIG. 3

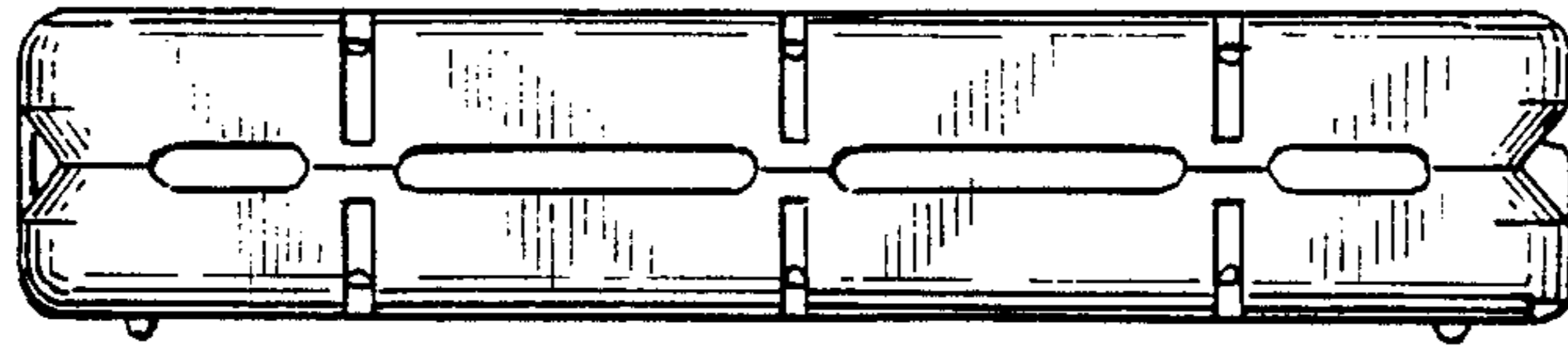


FIG. 4

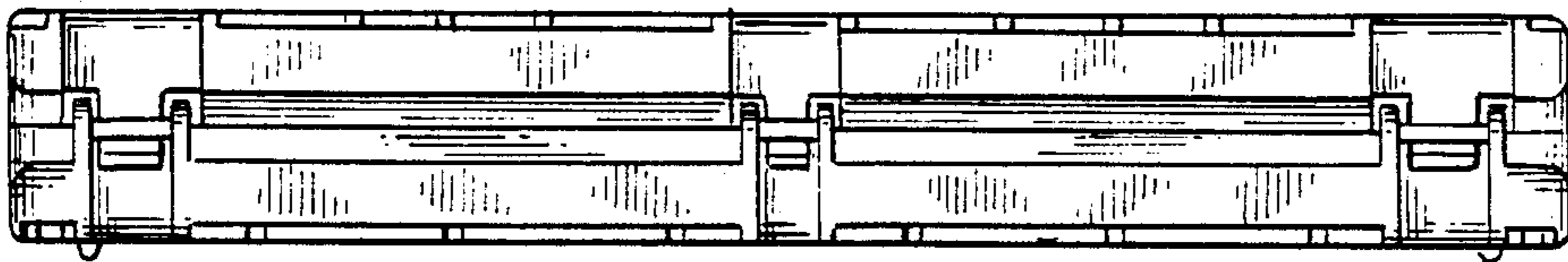


FIG. 5

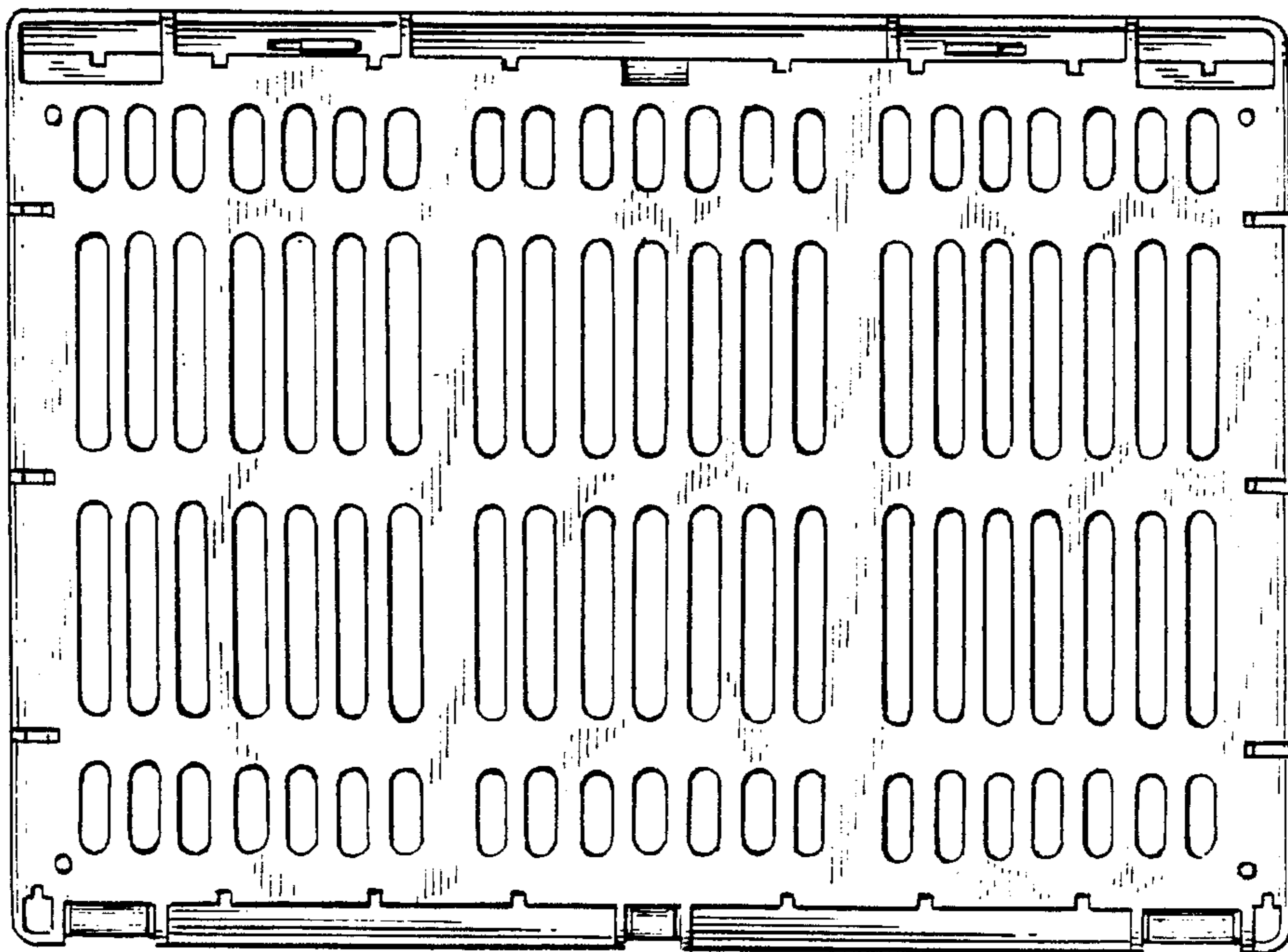


FIG. 6

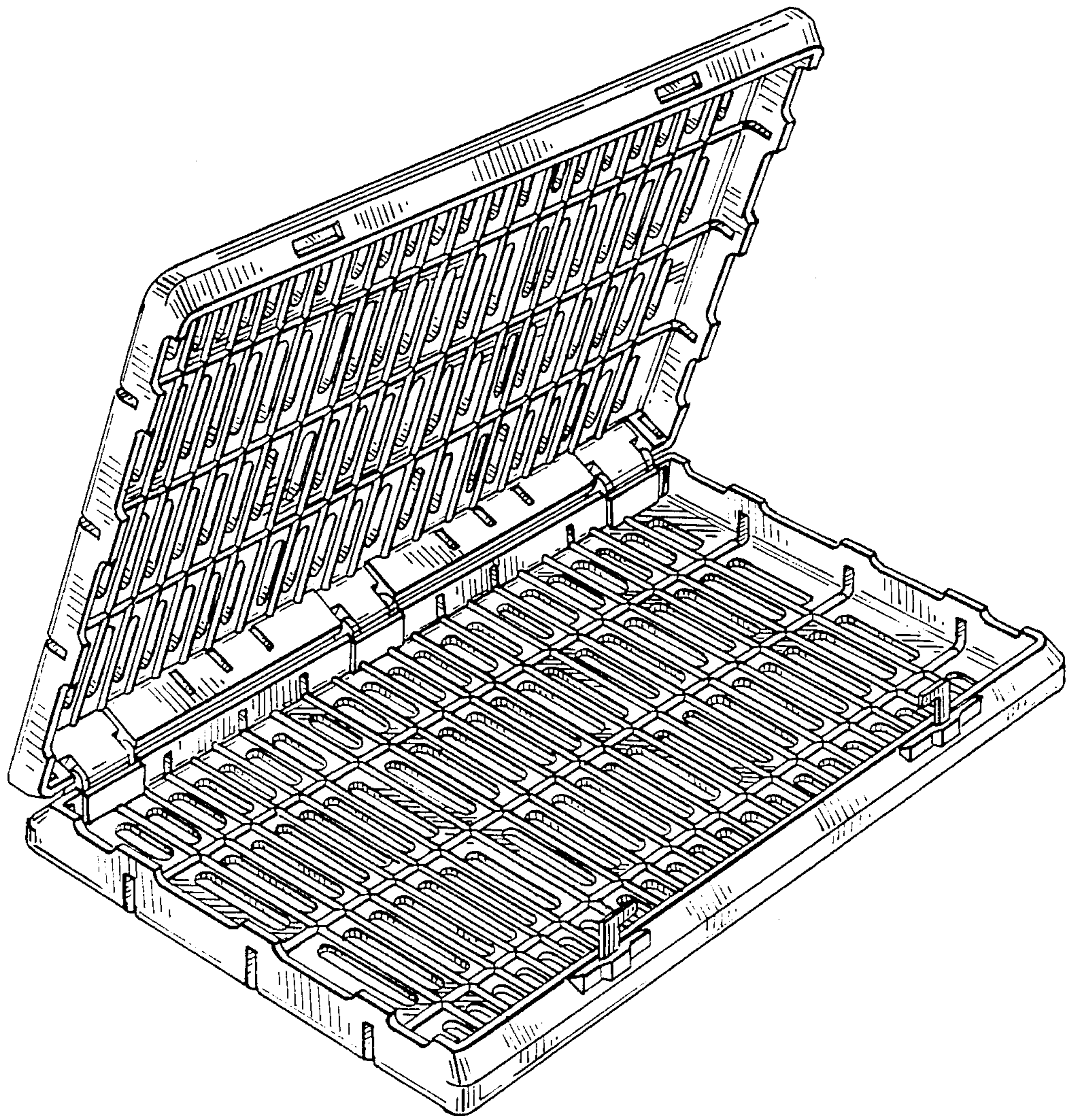


FIG. 7