

[54] COMBINED LAVATORY AND PIPE SHROUD

[75] Inventors: Herbert V. Kohler, Jr., Kohler; Mary J. Reid, Sheboygan, both of Wis.

[73] Assignee: Kohler Co., Kohler, Wis.

[**] Term: 14 Years

[21] Appl. No.: 805,036

[22] Filed: Nov. 12, 1985

[52] U.S. Cl. D23/294

[58] Field of Search D23/284-294; 4/619, 643, 647-653

[56] References Cited

U.S. PATENT DOCUMENTS

D. 201,344	6/1965	Stairs, Jr.	D23/294
D. 238,075	12/1975	Harris	D23/286
D. 258,079	1/1981	Primault	D23/292
D. 258,683	3/1981	Wilson	D23/260
D. 258,906	4/1981	Doman	D23/292
650,897	6/1900	Hinsdale	4/418 X
1,659,851	2/1928	Brewington	4/643
3,487,478	1/1970	Harris	4/419
3,915,524	10/1975	Langston	4/650 X
4,145,769	3/1979	MacFarlane et al.	4/628 X
4,646,370	3/1987	Risberg et al.	4/308 X

OTHER PUBLICATIONS

Five pages from two 1984 Duravit flyers showing the "Bermuda", Columba, Schwarz and Paola combined lavatory and pipe shroud designs. Three undated Ideal-Standard advertisements, admit-

ted prior art, showing the "Ronlav", Ronsal and Emirama combined lavatory and pipe shroud designs. Pages 17 and 19 of a 1984 Villeroy and Boch catalog entitled "Ceramic Plumbing Fixtures for Bathroom and Kitchen".

Two pages from Kerameg advertising catalogs, undated, admitted prior art, showing the "Mango" and Koala designs.

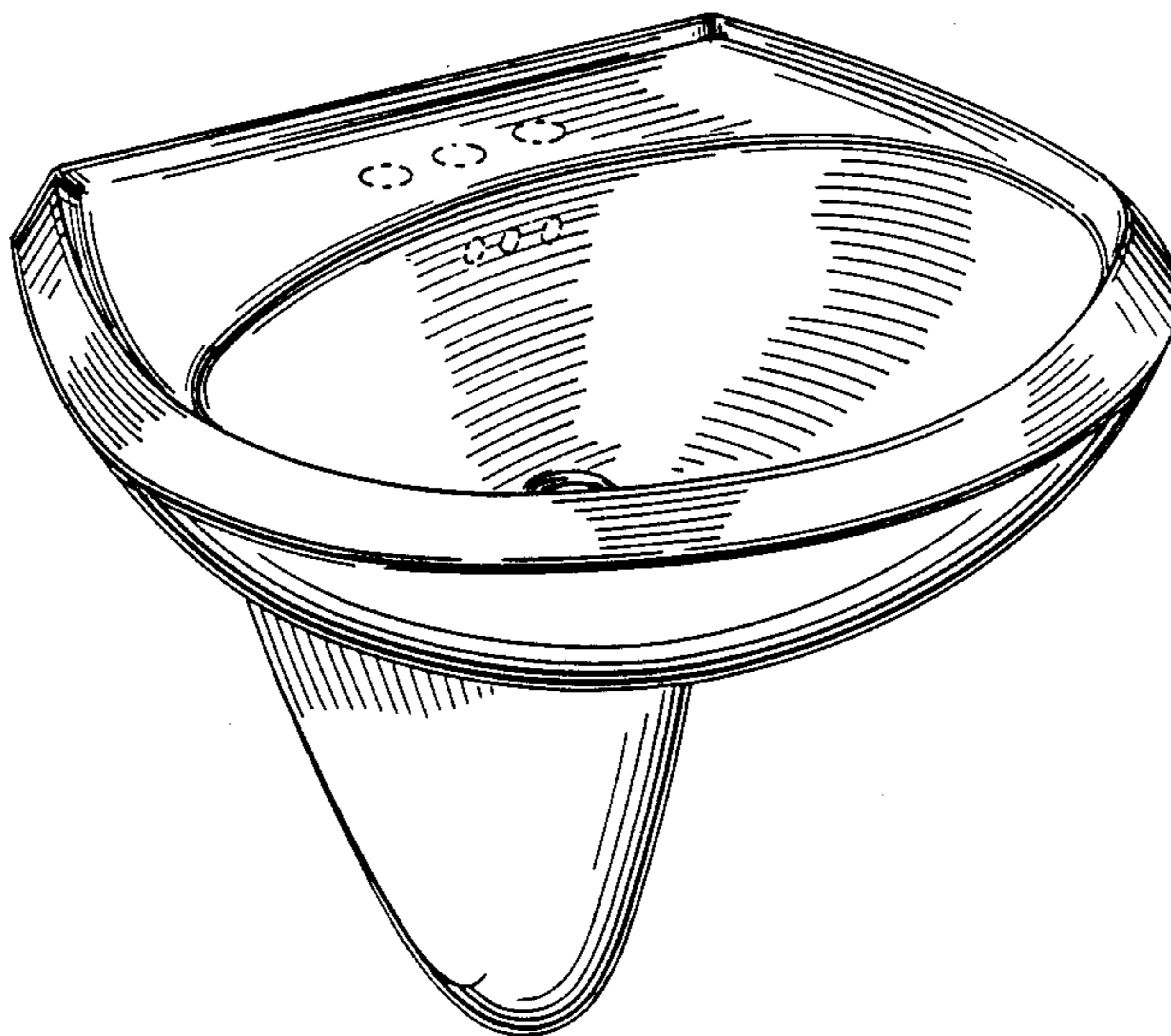
Primary Examiner—James R. Largen
Attorney, Agent, or Firm—Quarles & Brady

[57] CLAIM

The ornamental design for a combined lavatory and pipe shroud, as shown and described.

DESCRIPTION

FIG. 1 is a top perspective view of a combined lavatory and pipe shroud showing our new design; FIG. 2 is a front elevational view thereof; FIG. 3 is a top plan view thereof; FIG. 4 is a right side elevational view thereof the left side being a mirror image of the right side shown; FIG. 5 is a cross sectional view taken on line 5—5 of FIG. 3; FIG. 6 is a cross sectional view of the lavatory portion thereof, taken on line 6—6 of FIG. 3; FIG. 7 is a cross sectional view of the shroud portion thereof, taken on line 7—7 of FIG. 2; FIG. 8 is a bottom plan view thereof; and FIG. 9 is a rear elevational view thereof. The fragmentary broken line representations of holes in FIGS. 1, 3 and 6 are for purposes of illustration only.



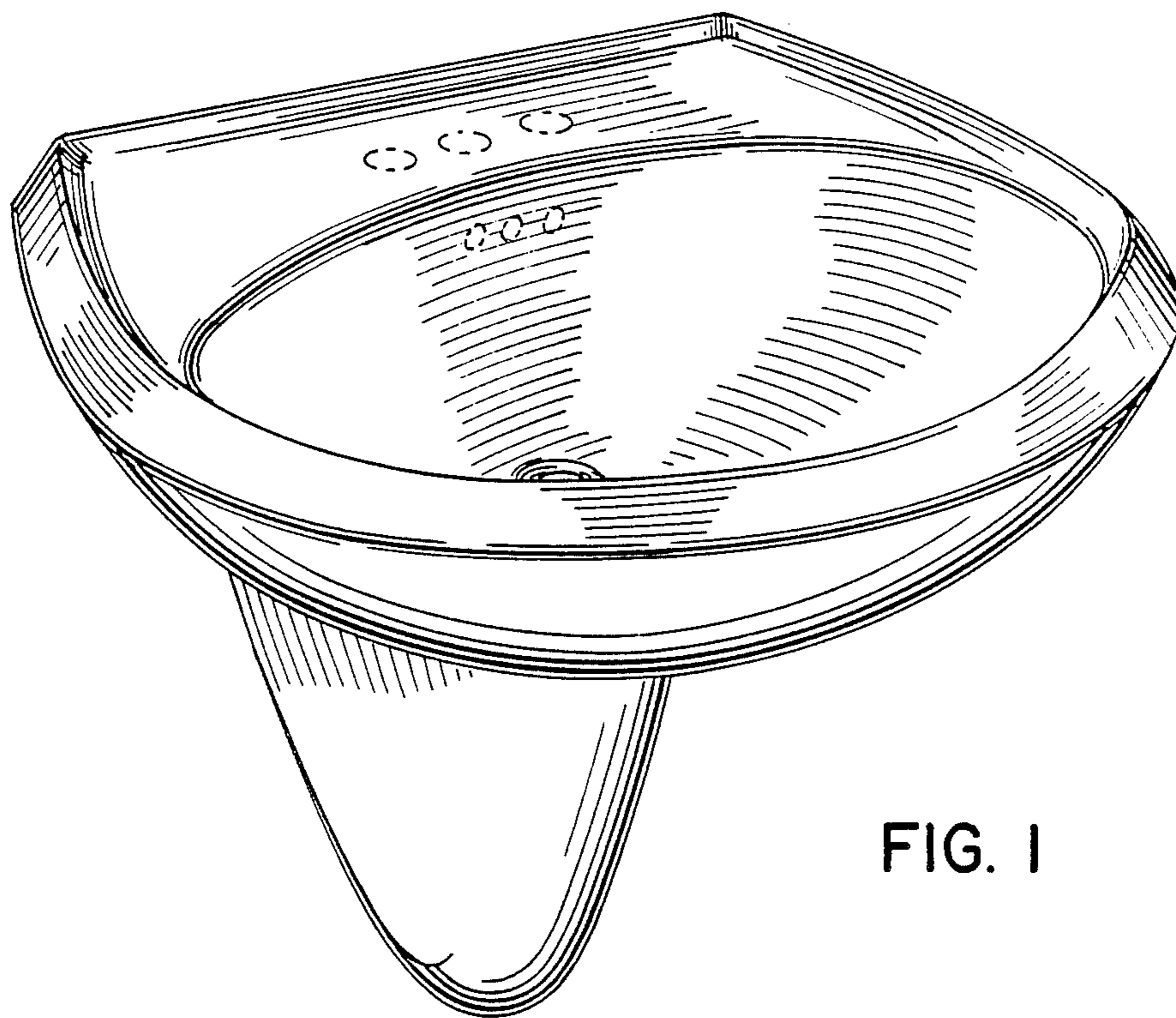


FIG. 1

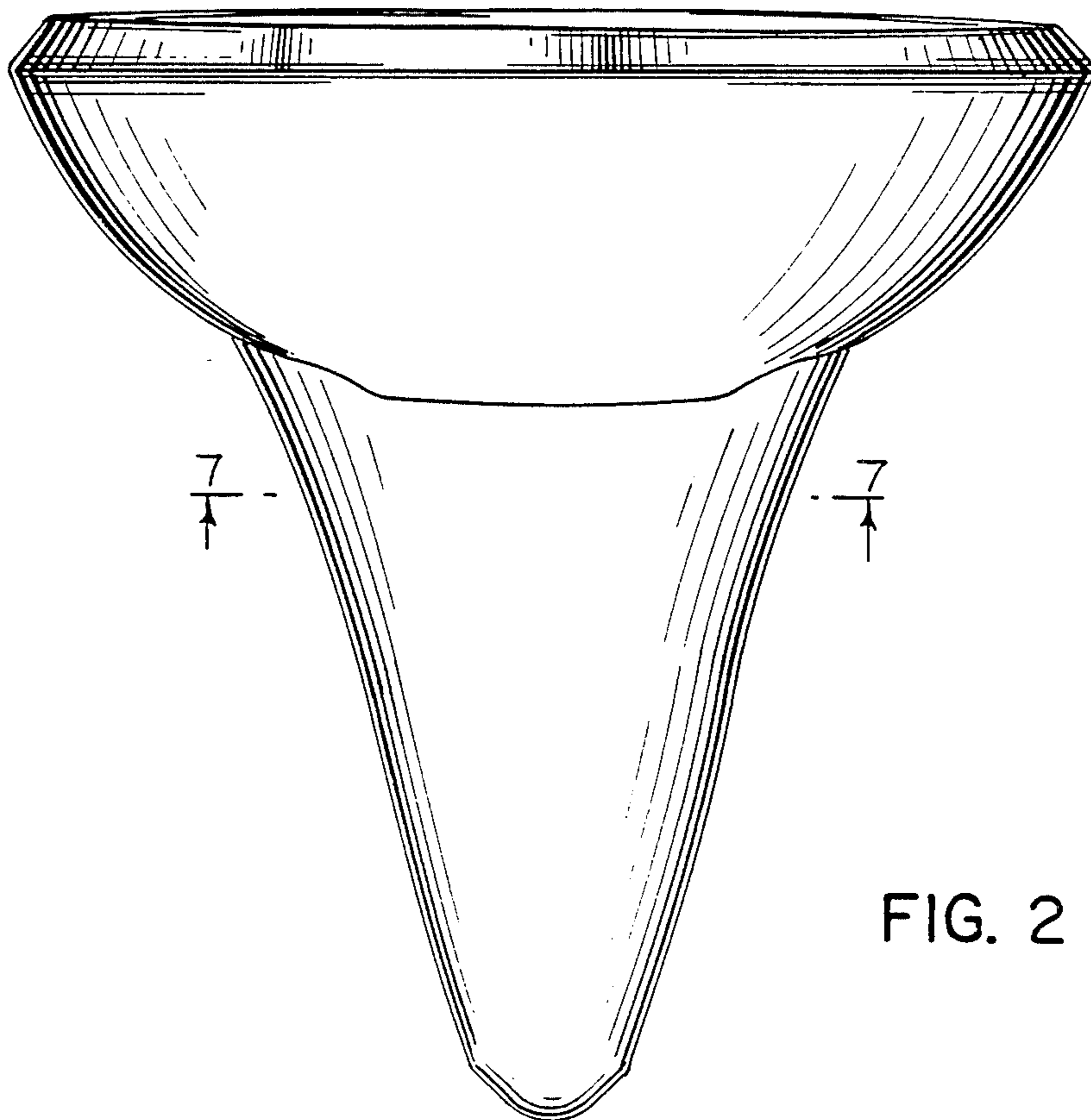


FIG. 2

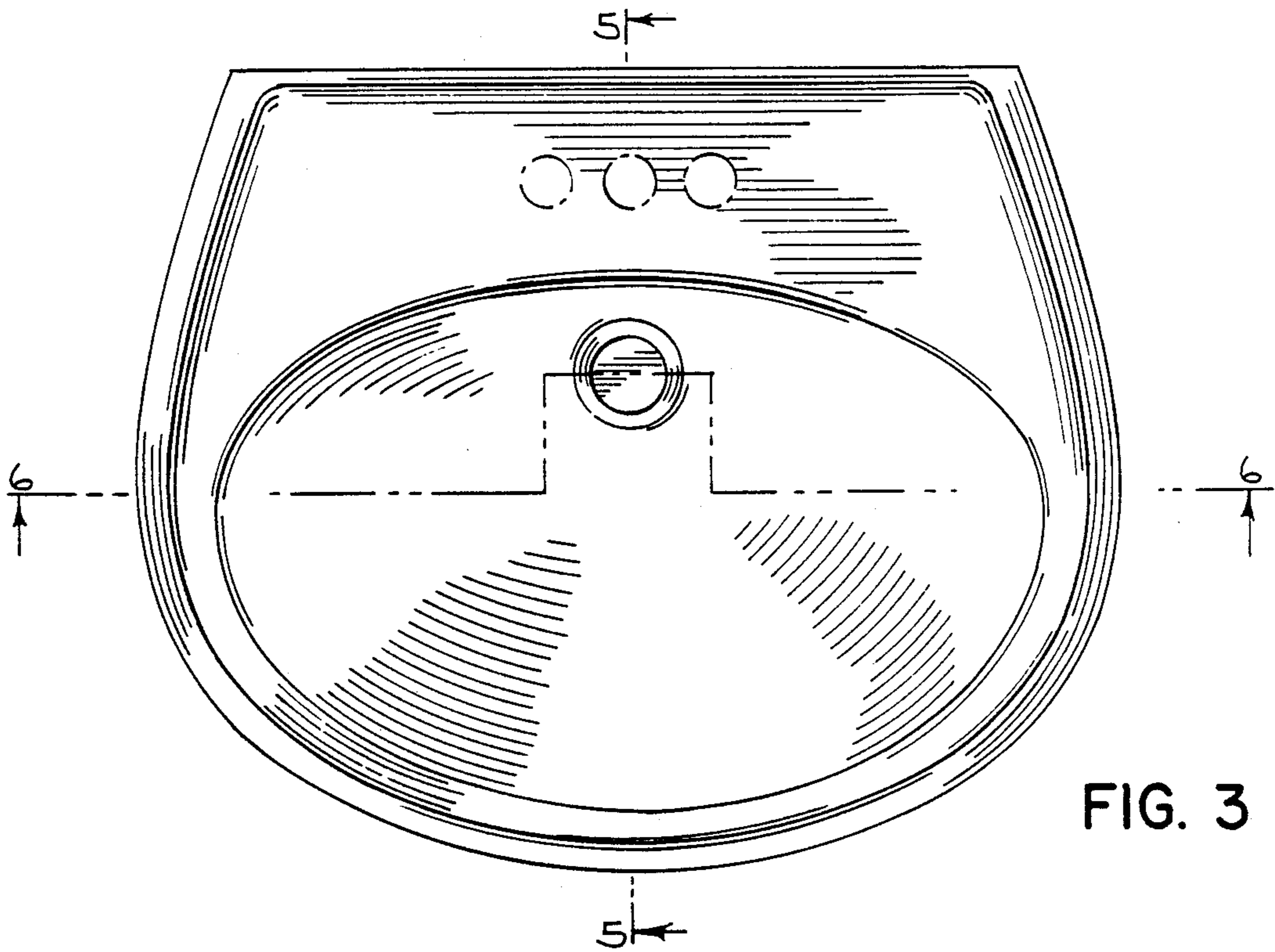


FIG. 3

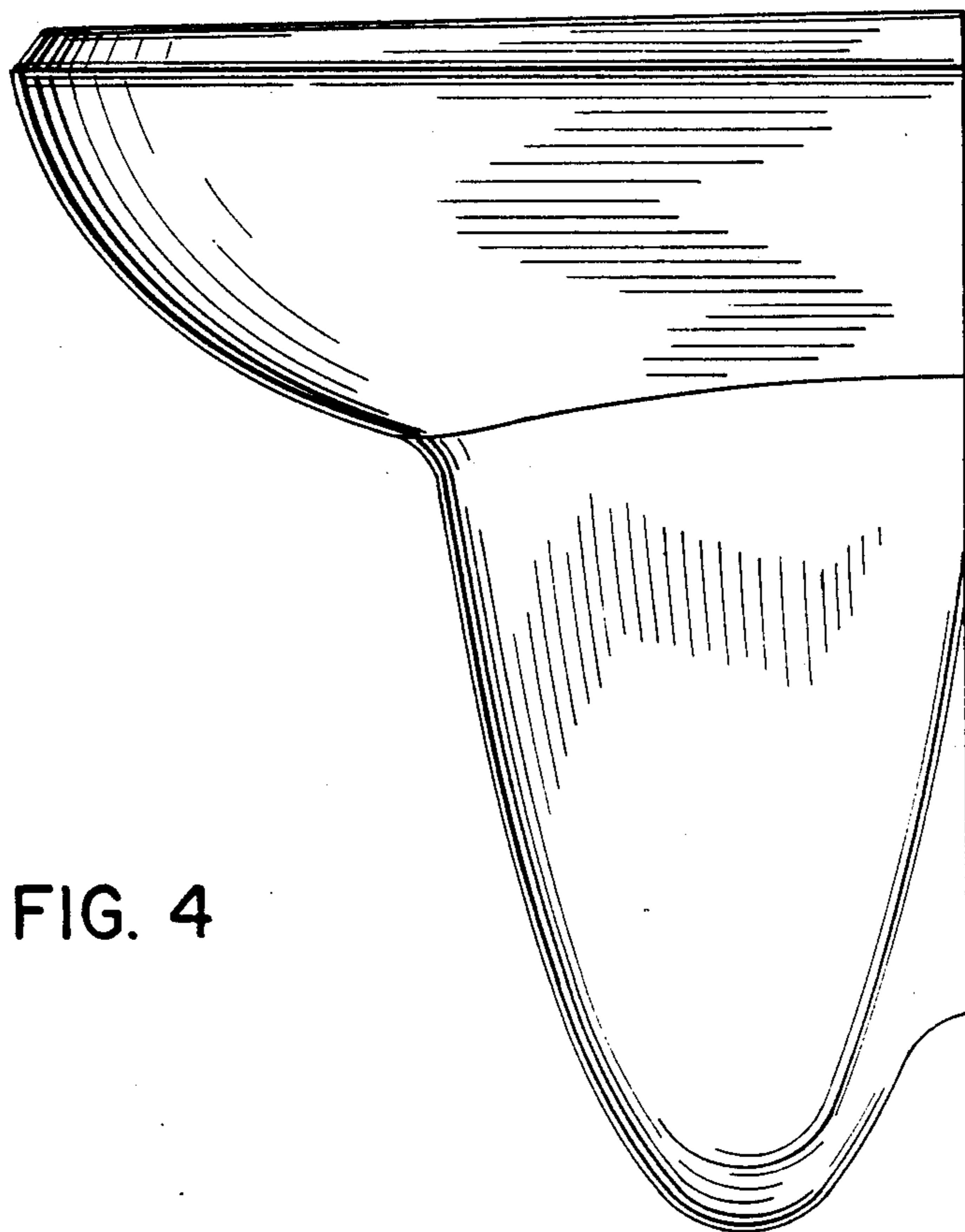


FIG. 4

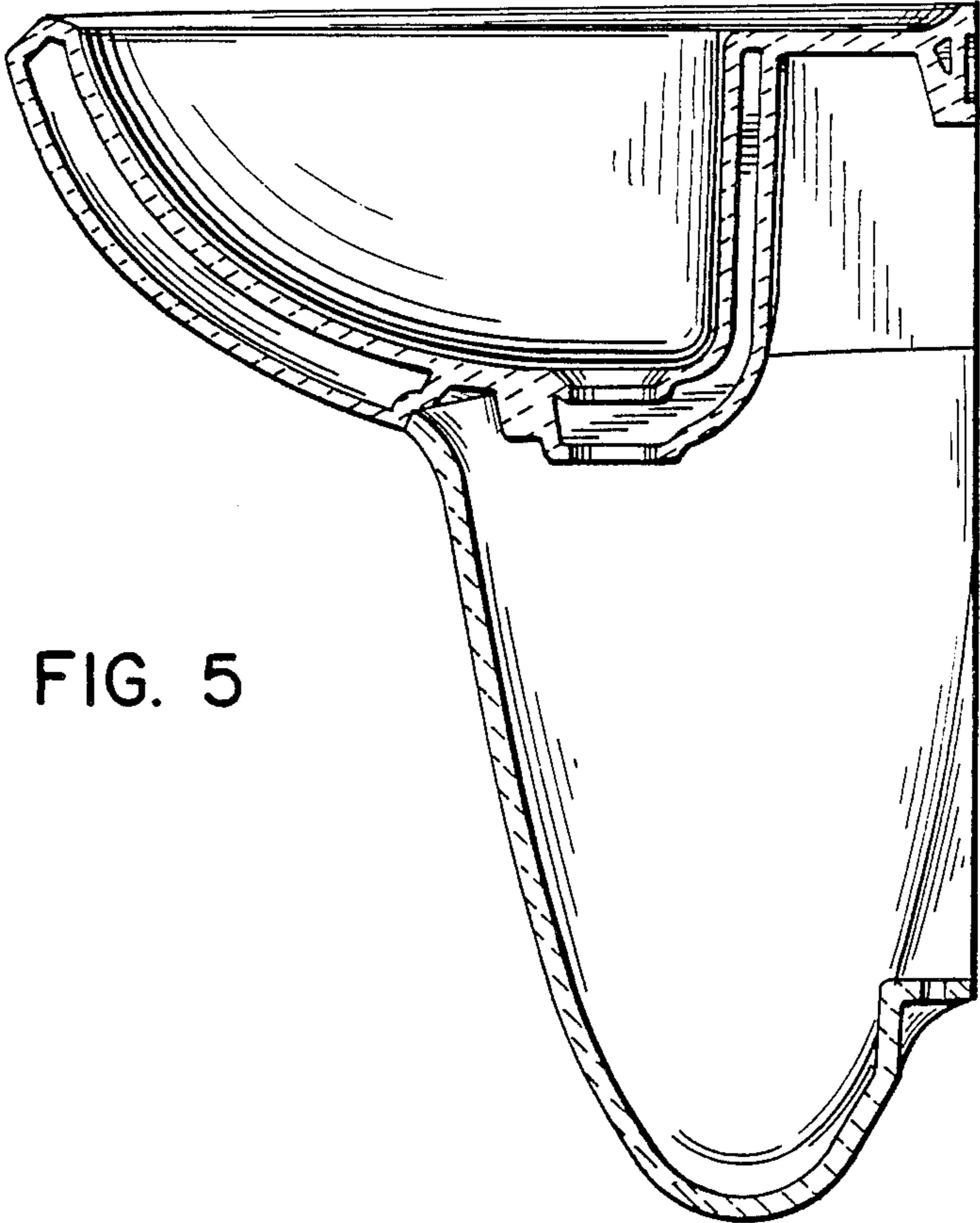


FIG. 5

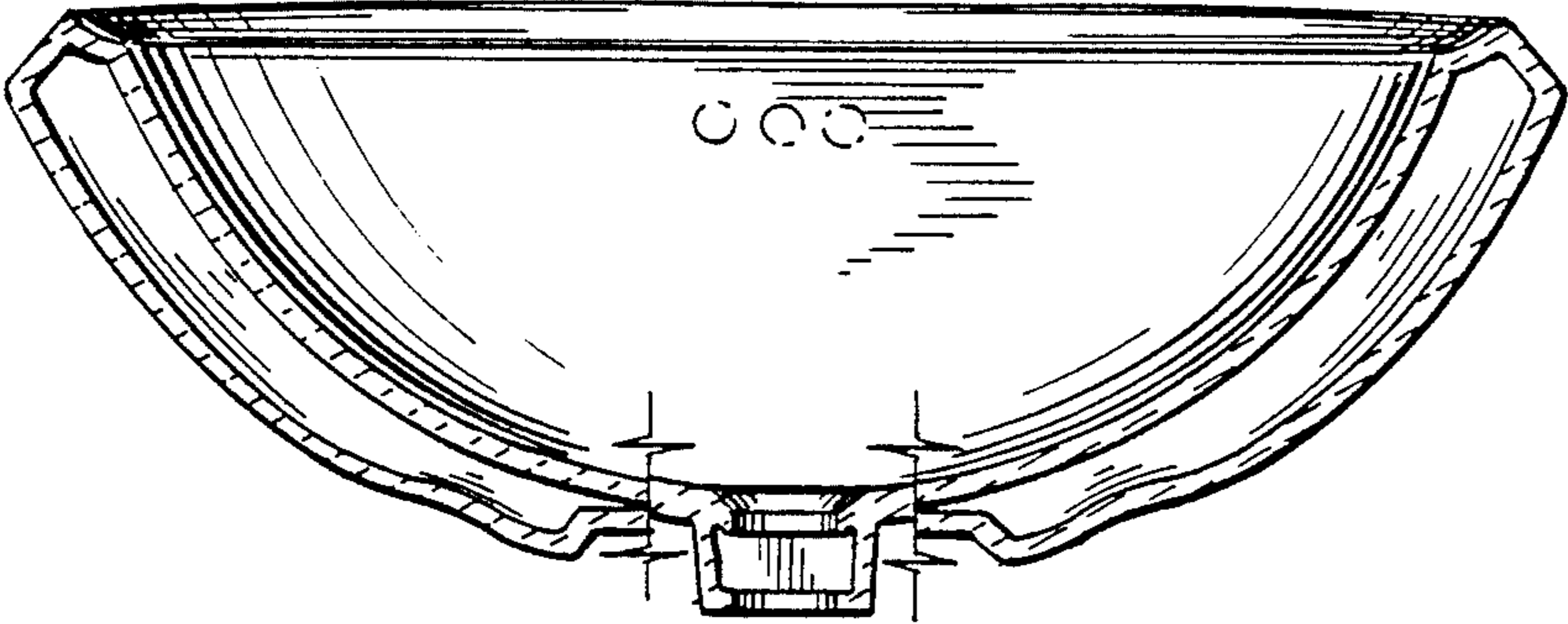


FIG. 6

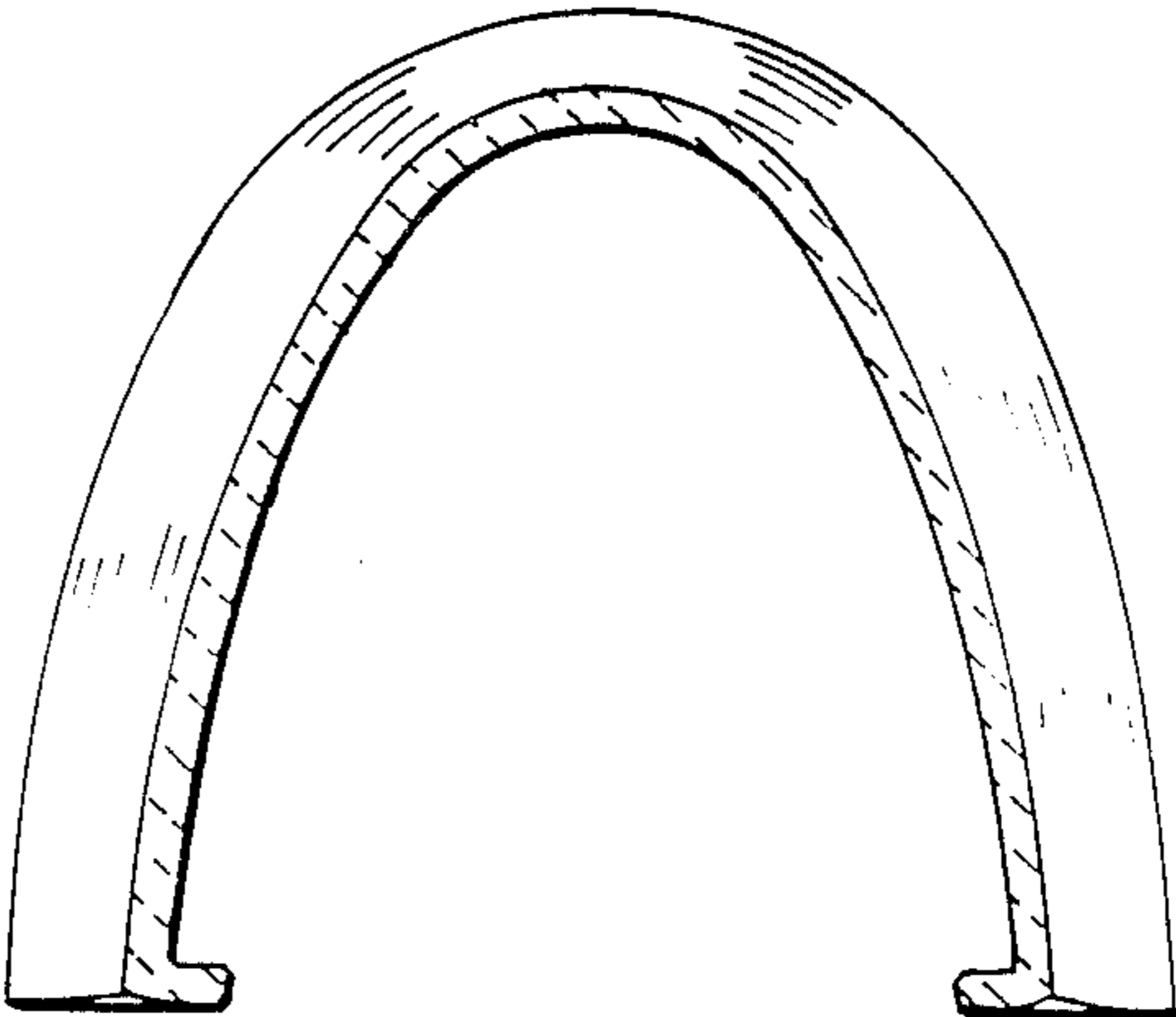


FIG. 7

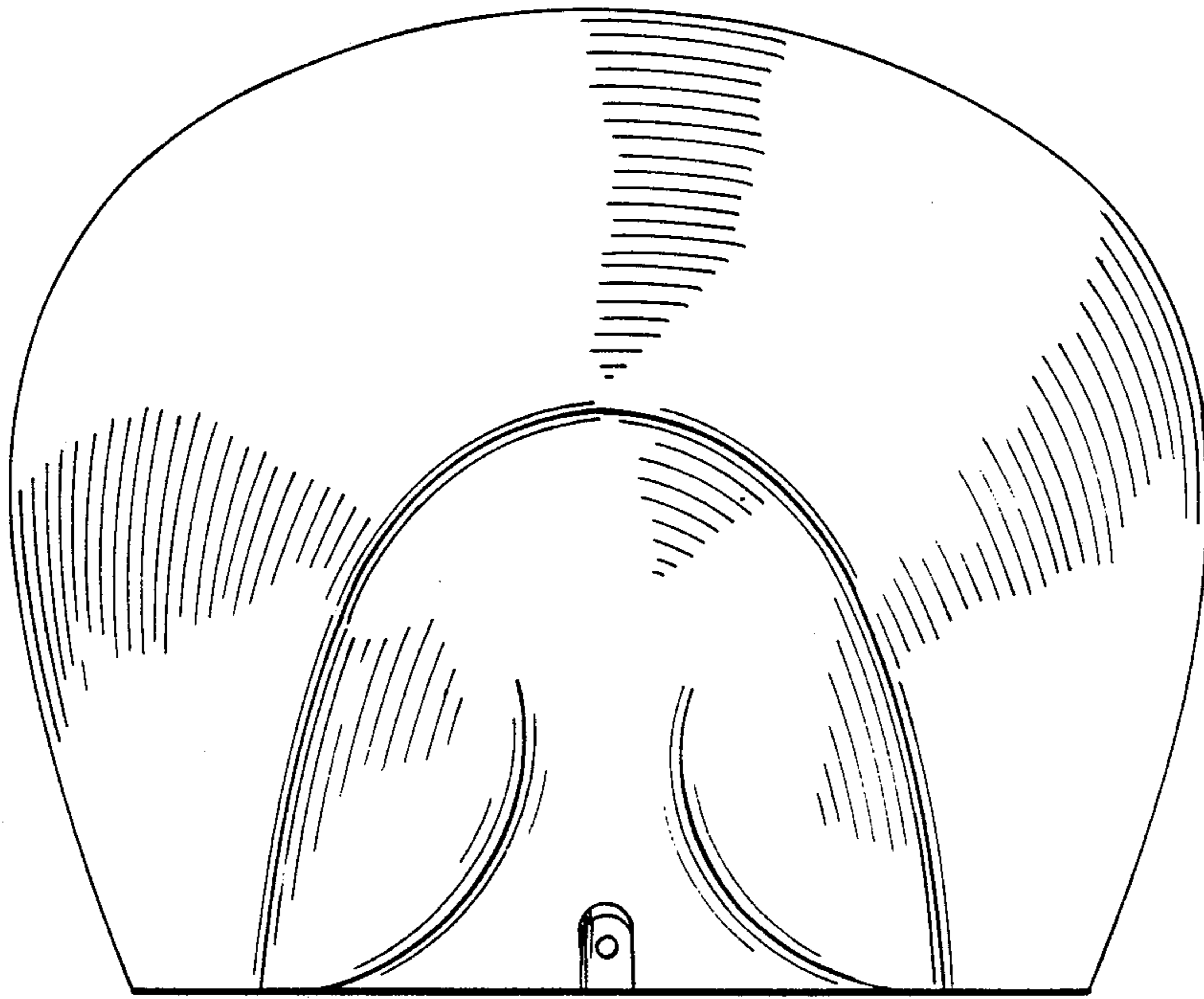


FIG. 8

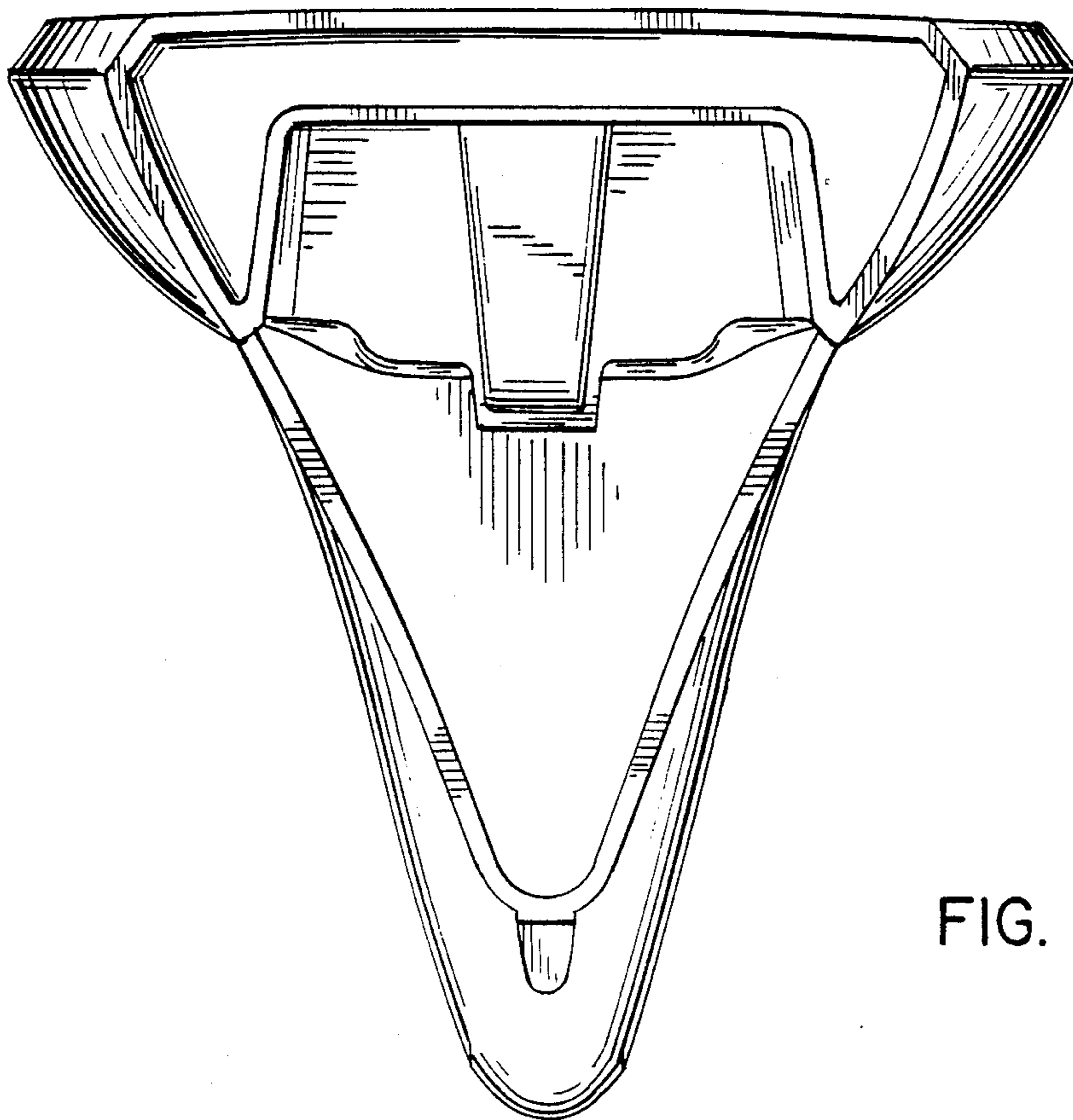


FIG. 9