

[54] ELECTRIC FAN

[75] Inventor: Shao Shin-Chin, San-Chung, Taiwan

[73] Assignee: Holmes Products Corp., Holliston, Mass.

[**] Term: 14 Years

[21] Appl. No.: 824,176

[22] Filed: Jan. 30, 1986

[52] U.S. Cl. D23/382

[58] Field of Search D23/155-165,
D23/148-150; 98/33.1, 40.01, 40.05, 40.07,
40.1, 40.12, 40.18, 40.2; 219/200-201, 228, 244,
254, 522, 530; 248/121, 130-131, 133, 163.1;
415/121 G, 1, 23, 126, 210, 216-217, 219 R, 219
A, 219 B, 219 C; 416/5, 63, 147-148, 170 R,
244, 246-247; 417/234, 424; D8/395;
24/499-500, 509, 578

[56] References Cited

U.S. PATENT DOCUMENTS

D. 221,077 7/1971 Stut D23/155
D. 240,231 6/1976 Patton D23/156
D. 270,941 10/1983 Lin D22/155
2,782,482 2/1957 Baril et al. D8/395 X

FOREIGN PATENT DOCUMENTS

213060 9/1962 Japan D23/155

OTHER PUBLICATIONS

Casco Products catalogue, 1949, p. 10, auto fan.
Sears Spring/Summer catalogue, 1980, p. 1200, #3, 9
inch osculating fan.
Hardware Age, Mar. 1974, p. 26, #4, Hitachi fan.

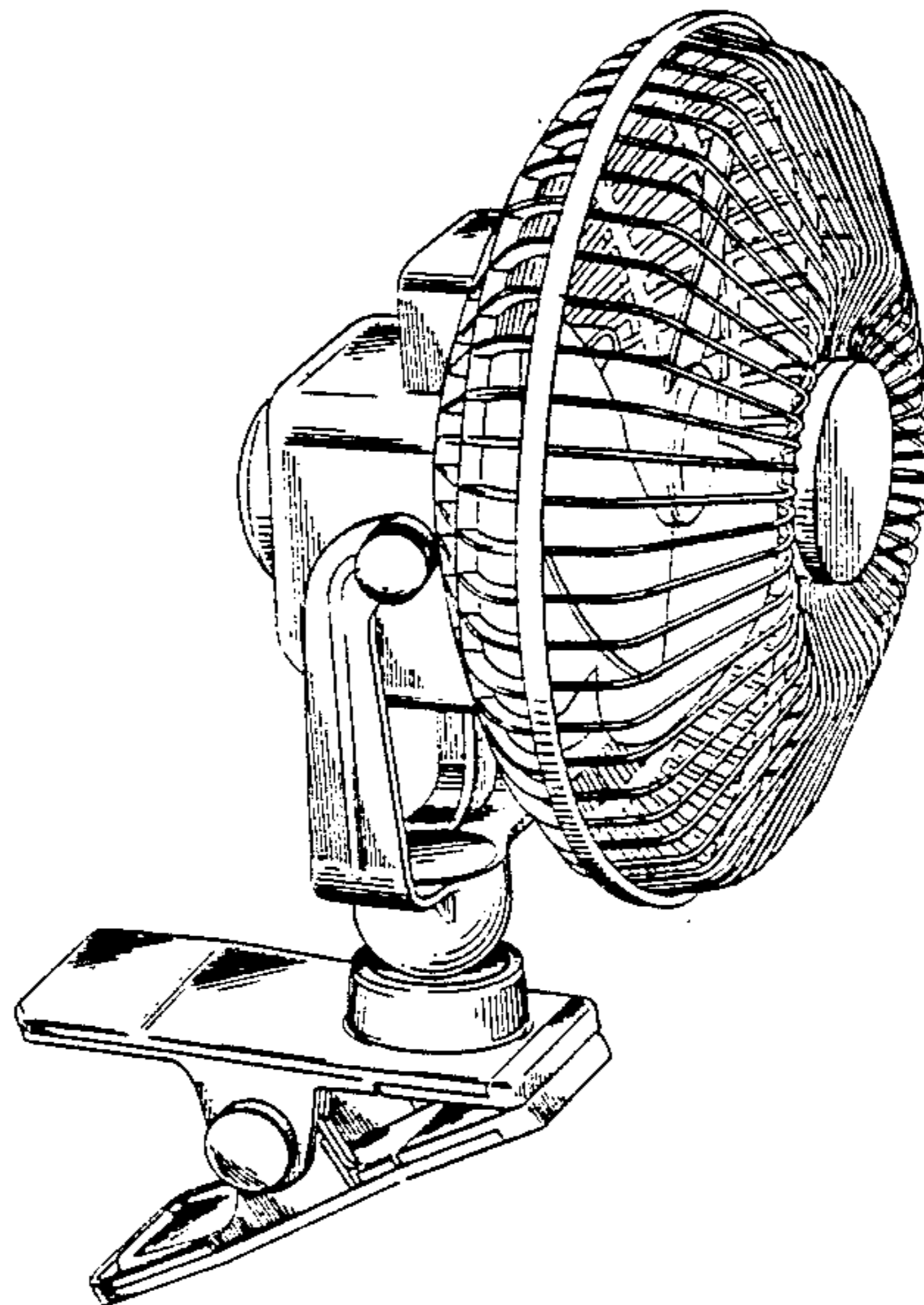
Primary Examiner—Susan J. Lucas
Assistant Examiner—Brian N. Vinson
Attorney, Agent, or Firm—Irving M. Kriegsman

[57] CLAIM

The ornamental design for an electric fan, as shown and described.

DESCRIPTION

FIG. 1 is a front elevational view of an electric fan showing my new design;
FIG. 2 is a rear elevational view thereof;
FIG. 3 is a top plan view thereof;
FIG. 4 is a right side elevational view thereof, the left side being a mirror image;
FIG. 5 is a bottom plan view thereof;
FIG. 6 is a bottom, right rear perspective view thereof;
and
FIG. 7 is a top, left front perspective view thereof.



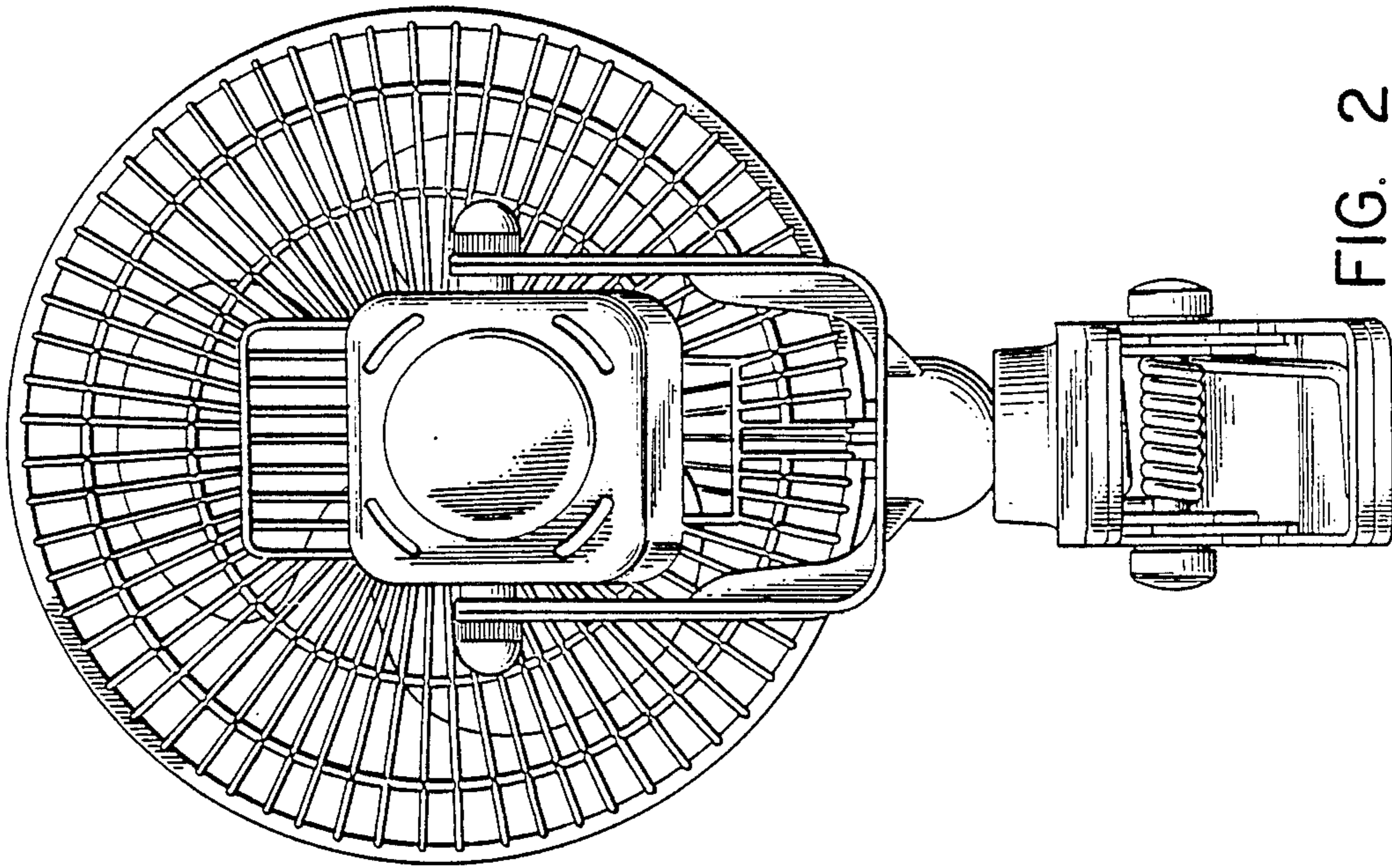


FIG. 2

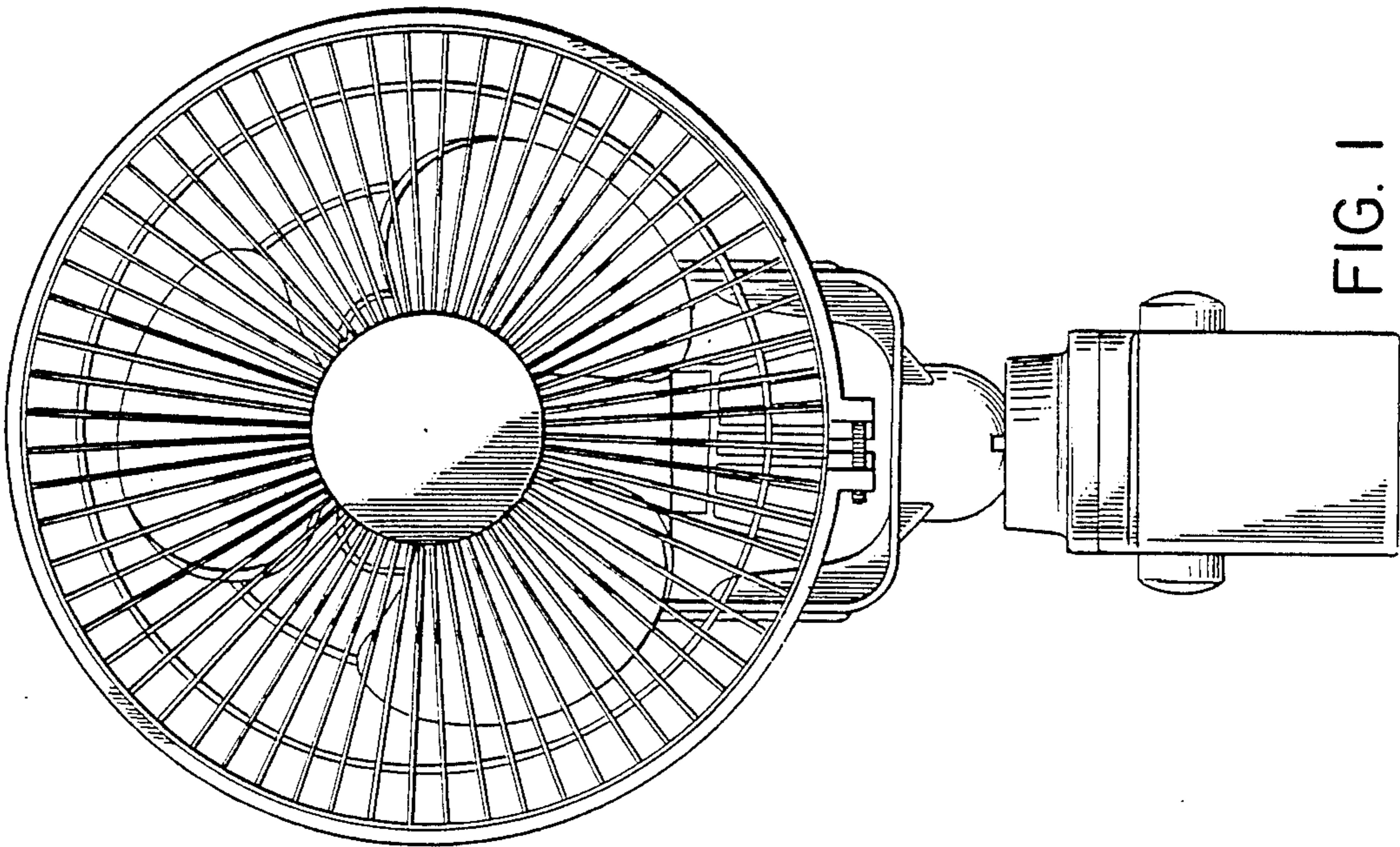


FIG. 1

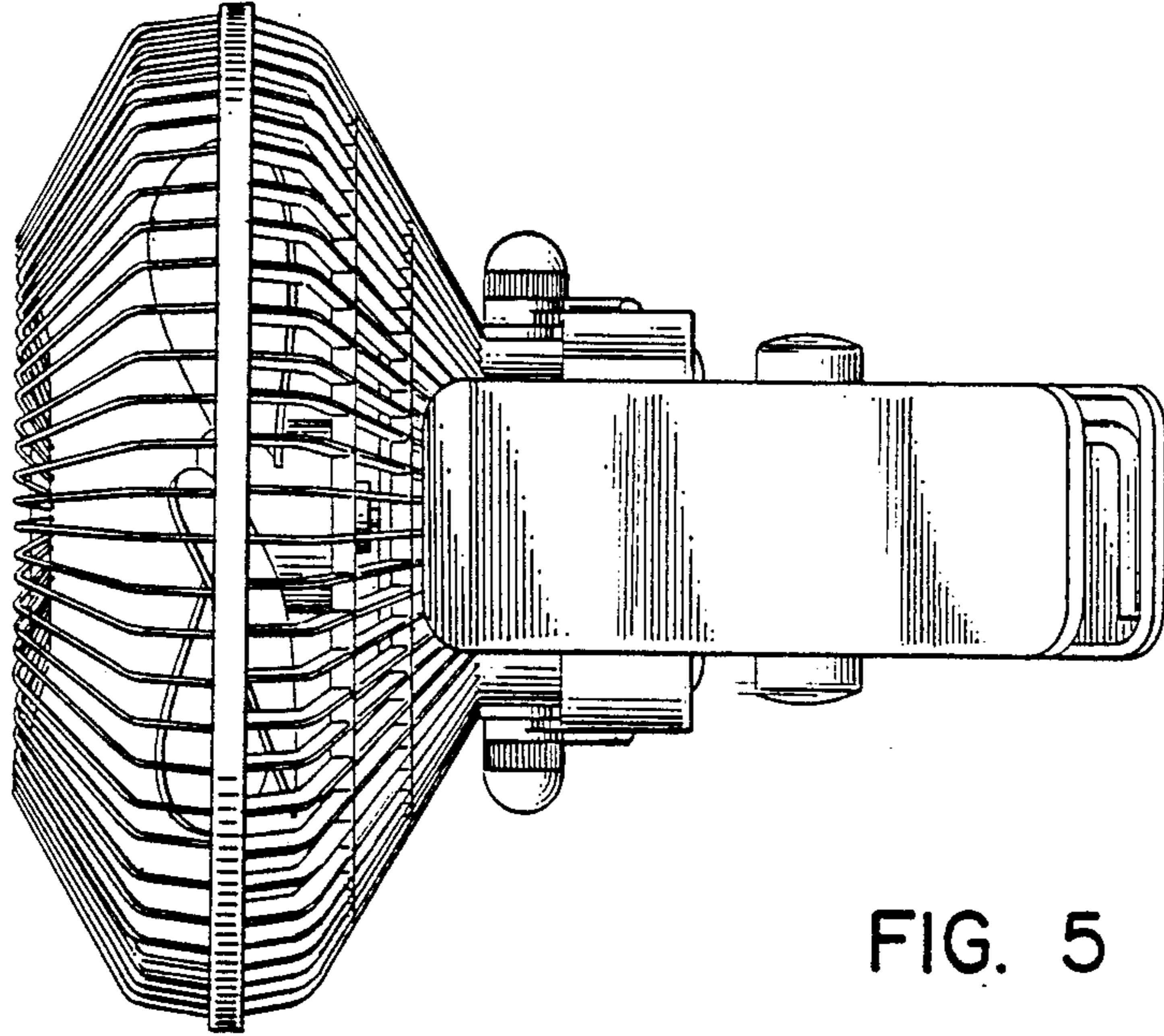


FIG. 5

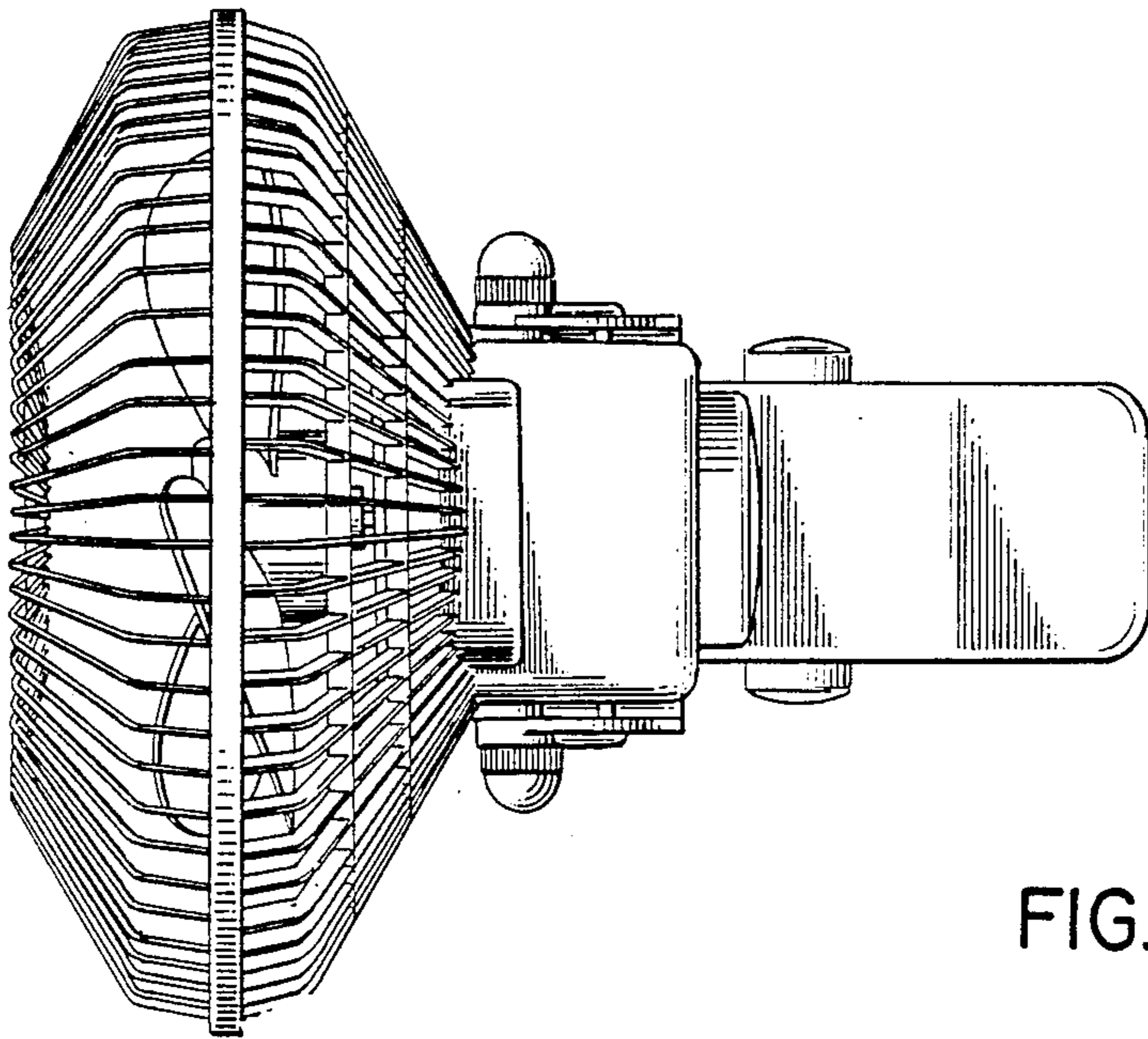


FIG. 3

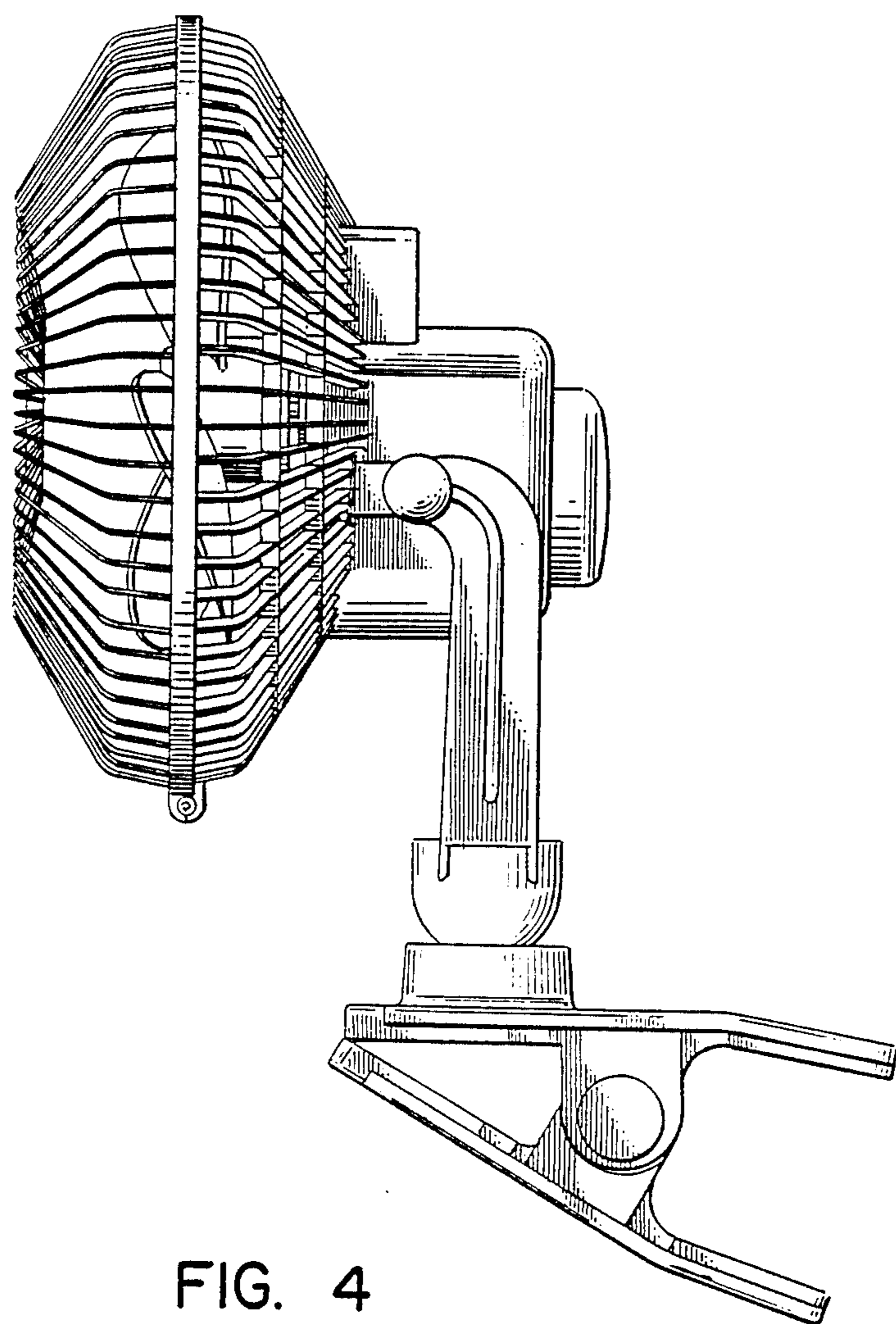


FIG. 4

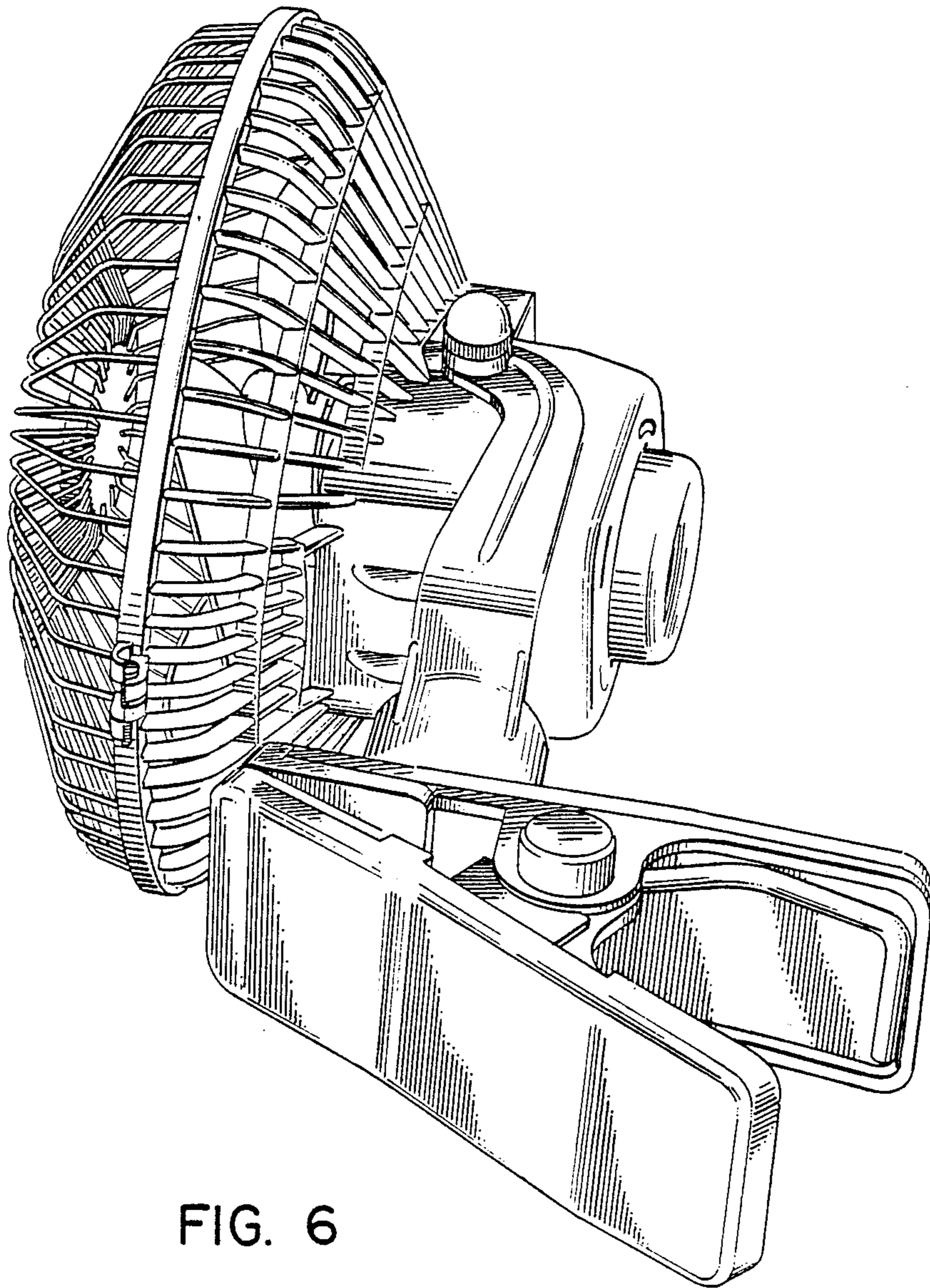


FIG. 6

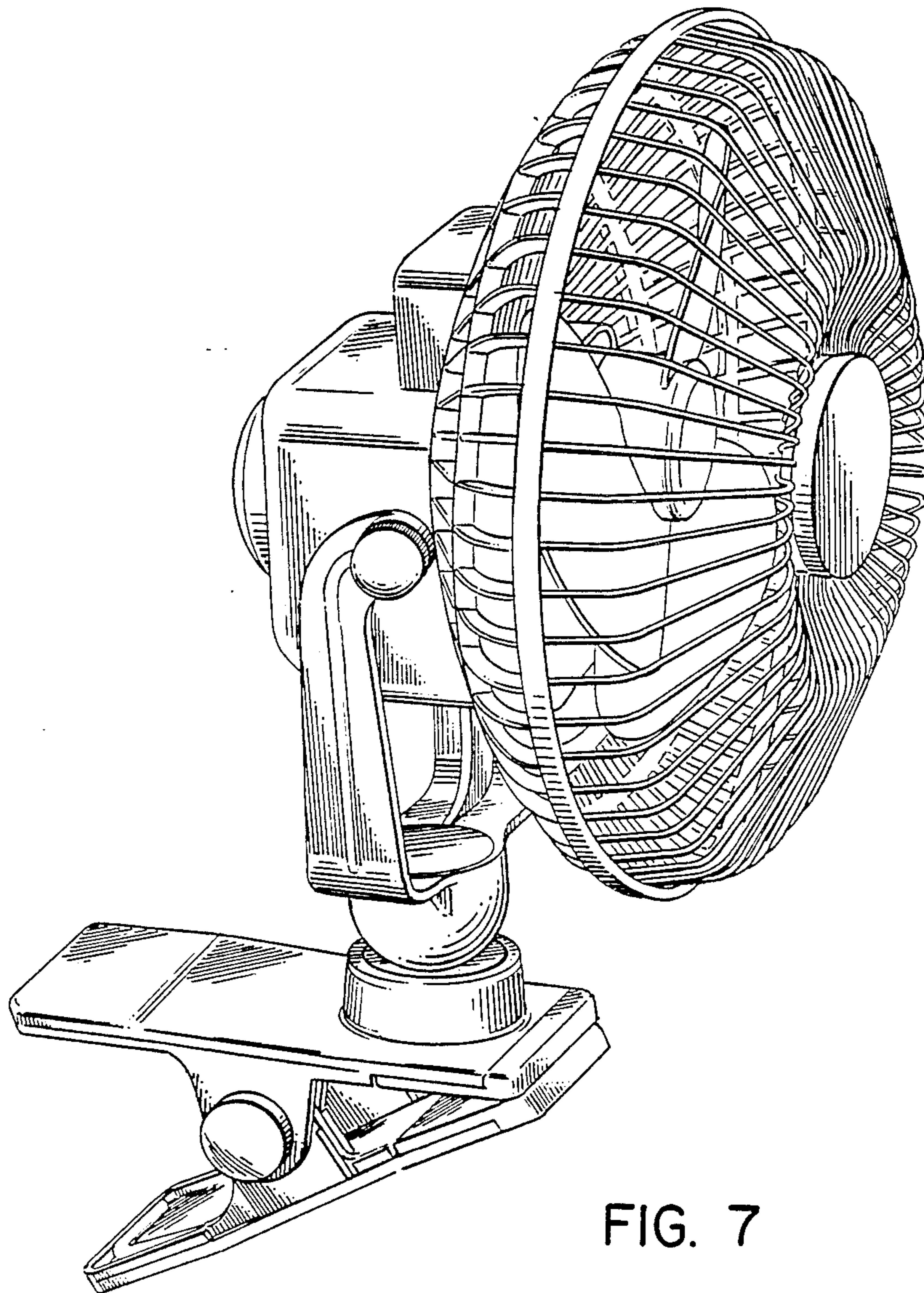


FIG. 7