

United States Patent [19]

Turner, Jr.

[11] Patent Number: Des. 295,058

[45] Date of Patent: ** Apr. 5, 1988

[54] DART GUN

[76] Inventor: John E. Turner, Jr., 11900 Montana Ave., El Paso, Tex. 79936

[**] Term: 14 Years

[21] Appl. No.: 845,777

[22] Filed: Mar. 24, 1986

[52] U.S. Cl. D21/146; D22/103

[58] Field of Search D21/145, 146, 147; 446/473, 401; D22/101, 103

[56] References Cited

U.S. PATENT DOCUMENTS

D. 157,224 2/1950 White D21/145
D. 190,286 5/1961 Ryan D21/146

2,112,946 4/1938 Yates D21/147
2,871,617 2/1959 West D21/147

Primary Examiner—Charles A. Rademaker
Attorney, Agent, or Firm—Fleit, Jacobson, Cohn & Price

[57] CLAIM

The ornamental design for a dart gun, as shown and described.

DESCRIPTION

FIG. 1 is a right front perspective view of a dart gun showing my new design;
FIG. 2 is a top plan view thereof;
FIG. 3 is a left side elevational view thereof;
FIG. 4 is a bottom plan view thereof;
FIG. 5 is a front elevational view thereof; and
FIG. 6 is a rear elevational view thereof.

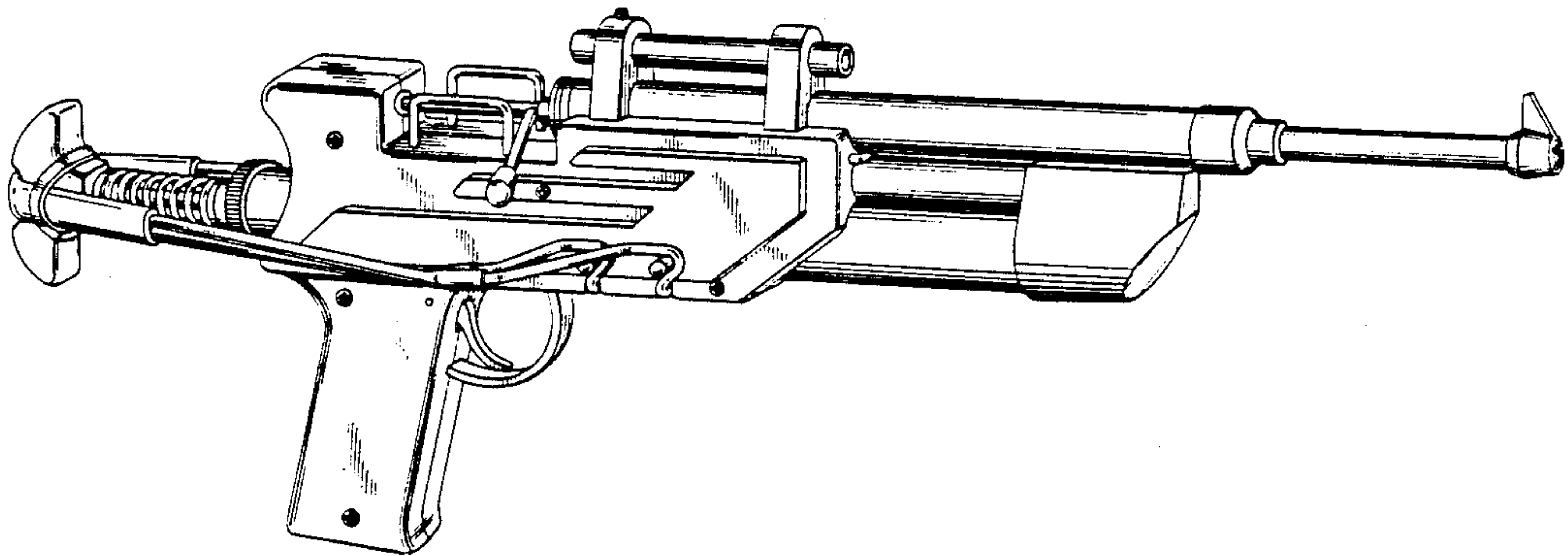
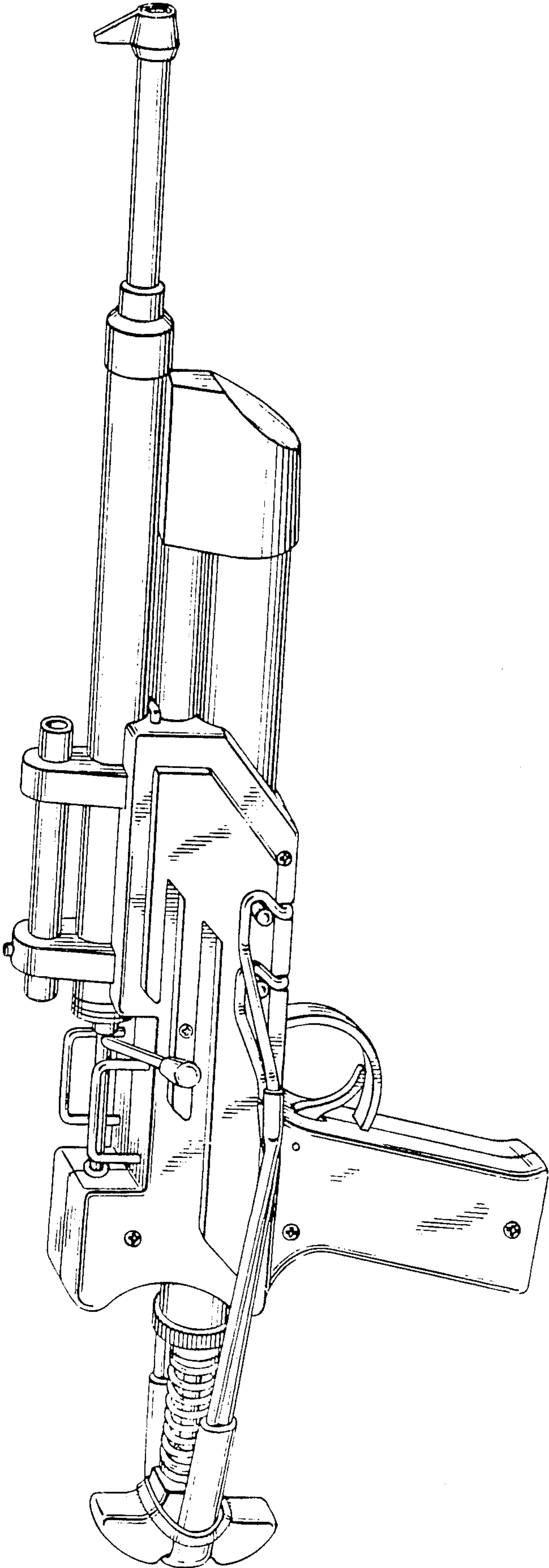


FIG. 1



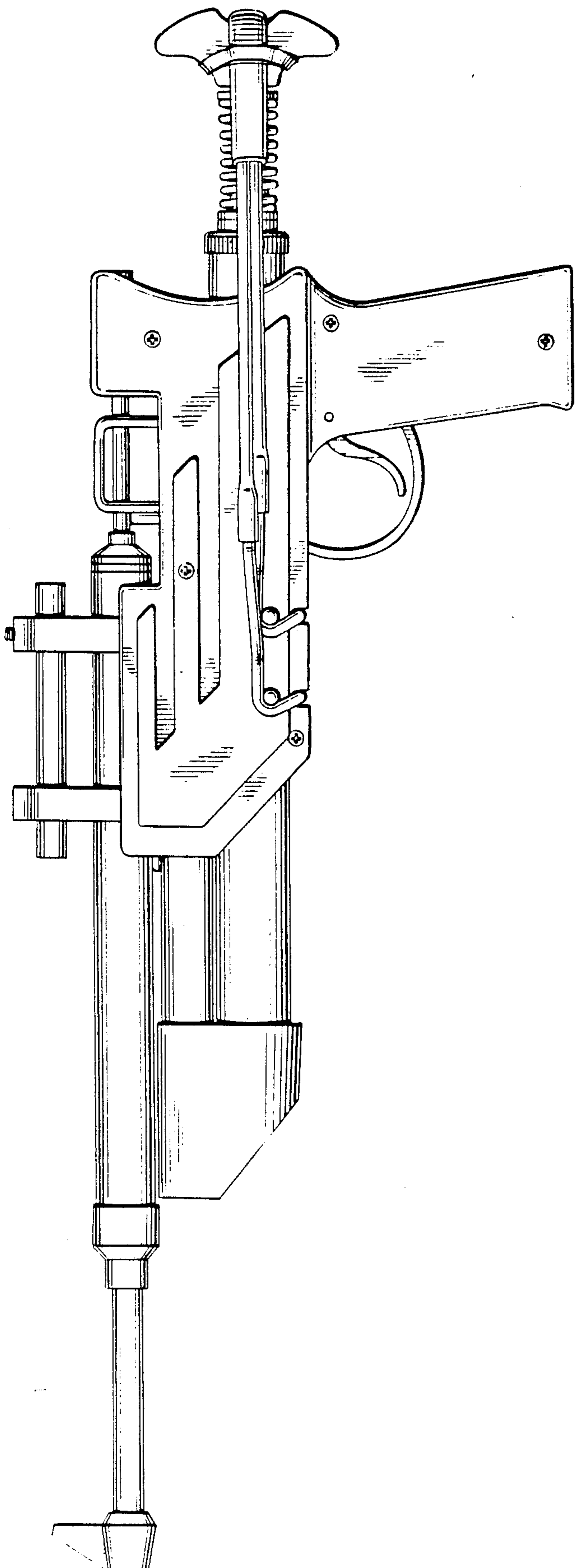
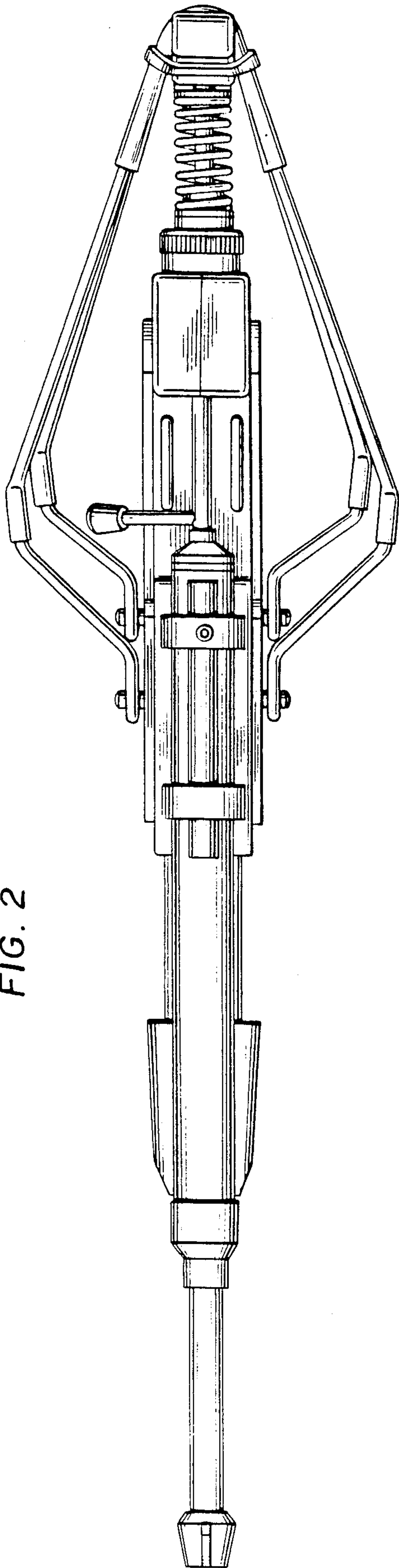


FIG. 4

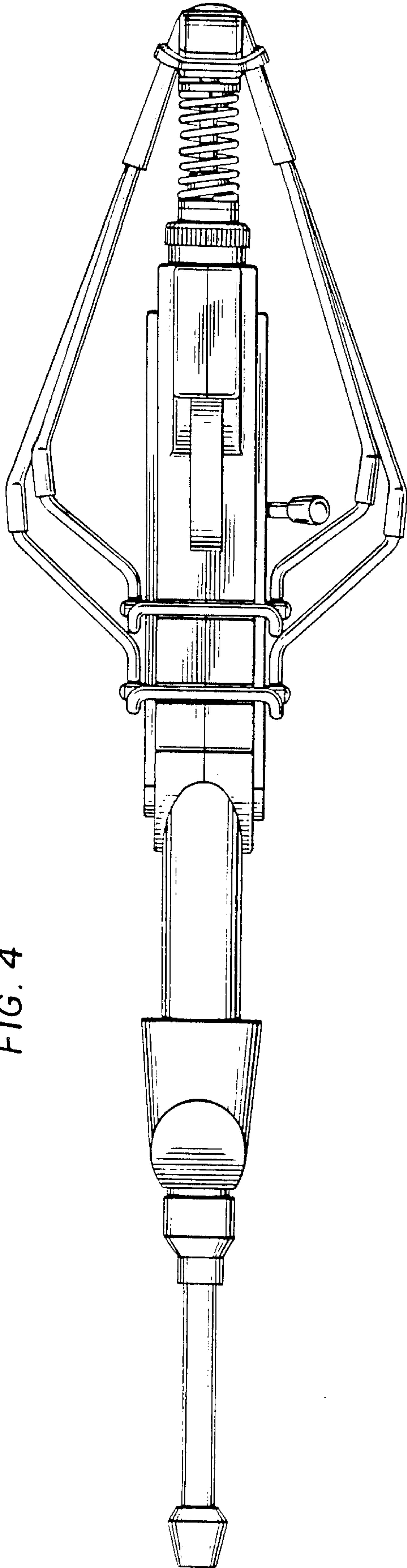


FIG. 6

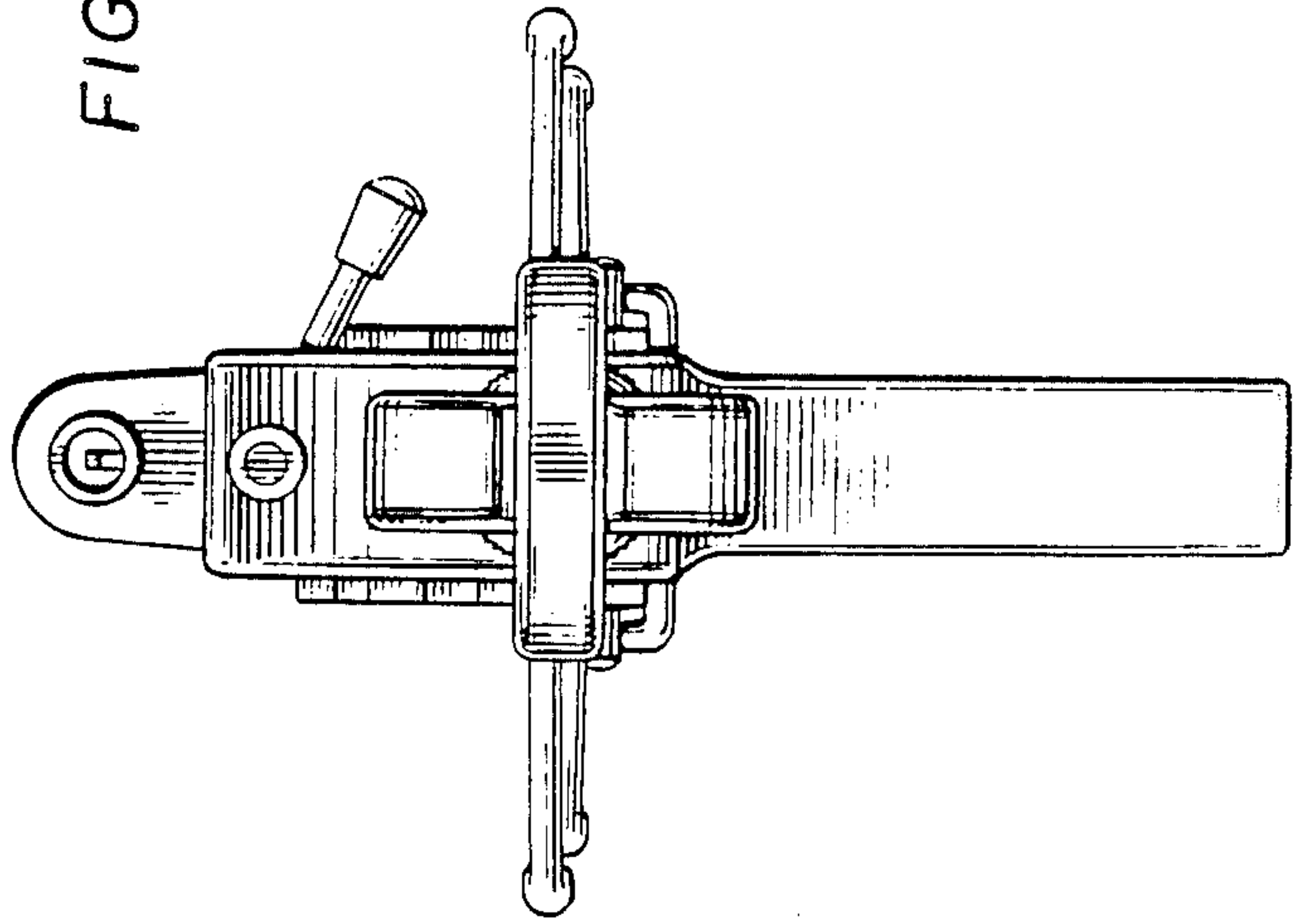


FIG. 5

