

[54] **TOY HELICOPTER**

[75] **Inventor: Kam H. Lau, Chaiwan, Hong Kong**

[73] **Assignee: Far East Toys and Novelties  
Manufacturing Limited, Chaiwan,  
Hong Kong**

[\*\*] **Term: 14 Years**

[21] **Appl. No.: 740,476**

[22] **Filed: Jun. 3, 1985**

[30] **Foreign Application Priority Data**

Jan. 9, 1985 [GB] United Kingdom ..... 1024290  
[52] **U.S. Cl. .... D21/85**  
[58] **Field of Search ..... D21/85, 90; D12/327;  
446/36, 37, 228, 237**

[56] **References Cited**

**U.S. PATENT DOCUMENTS**

D. 143,504 1/1946 Pecker et al. .... D12/327  
D. 258,671 3/1981 Sase ..... D21/85  
D. 262,386 12/1981 Takizawa ..... D21/85  
D. 262,467 12/1981 Lerch ..... D21/85

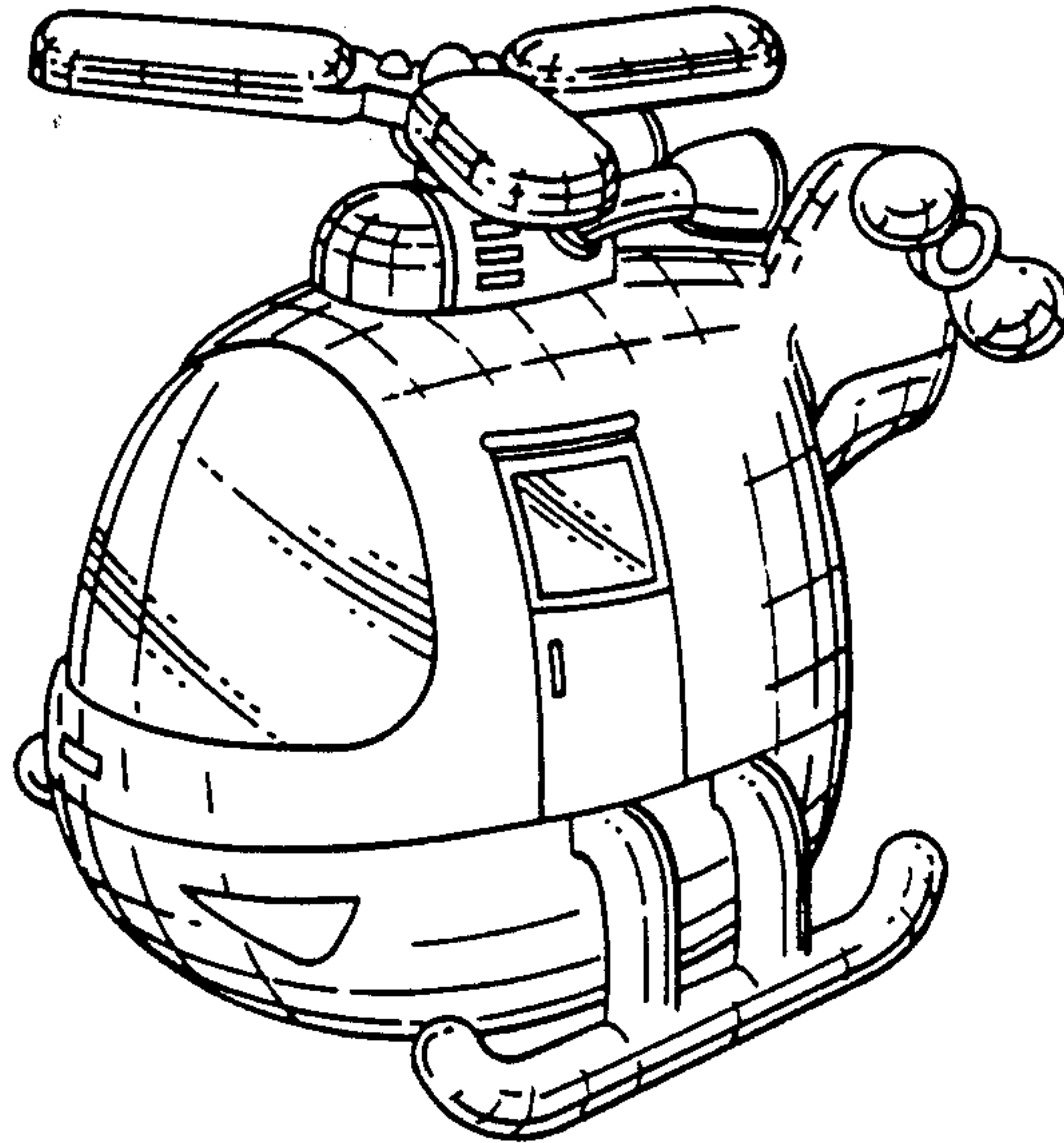
*Primary Examiner*—Charles A. Rademaker  
*Attorney, Agent, or Firm*—Bacon & Thomas

[57] **CLAIM**

The ornamental design for a toy helicopter, substantially as shown and described.

**DESCRIPTION**

FIG. 1 is a front elevational view of a toy helicopter showing my new design;  
FIG. 2 is a rear elevational view thereof;  
FIG. 3 is a top plan view thereof;  
FIG. 4 is a bottom plan view thereof;  
FIG. 5 is a side elevational view thereof, the side opposite being substantially a mirror image; and  
FIG. 6 is a perspective view thereof.



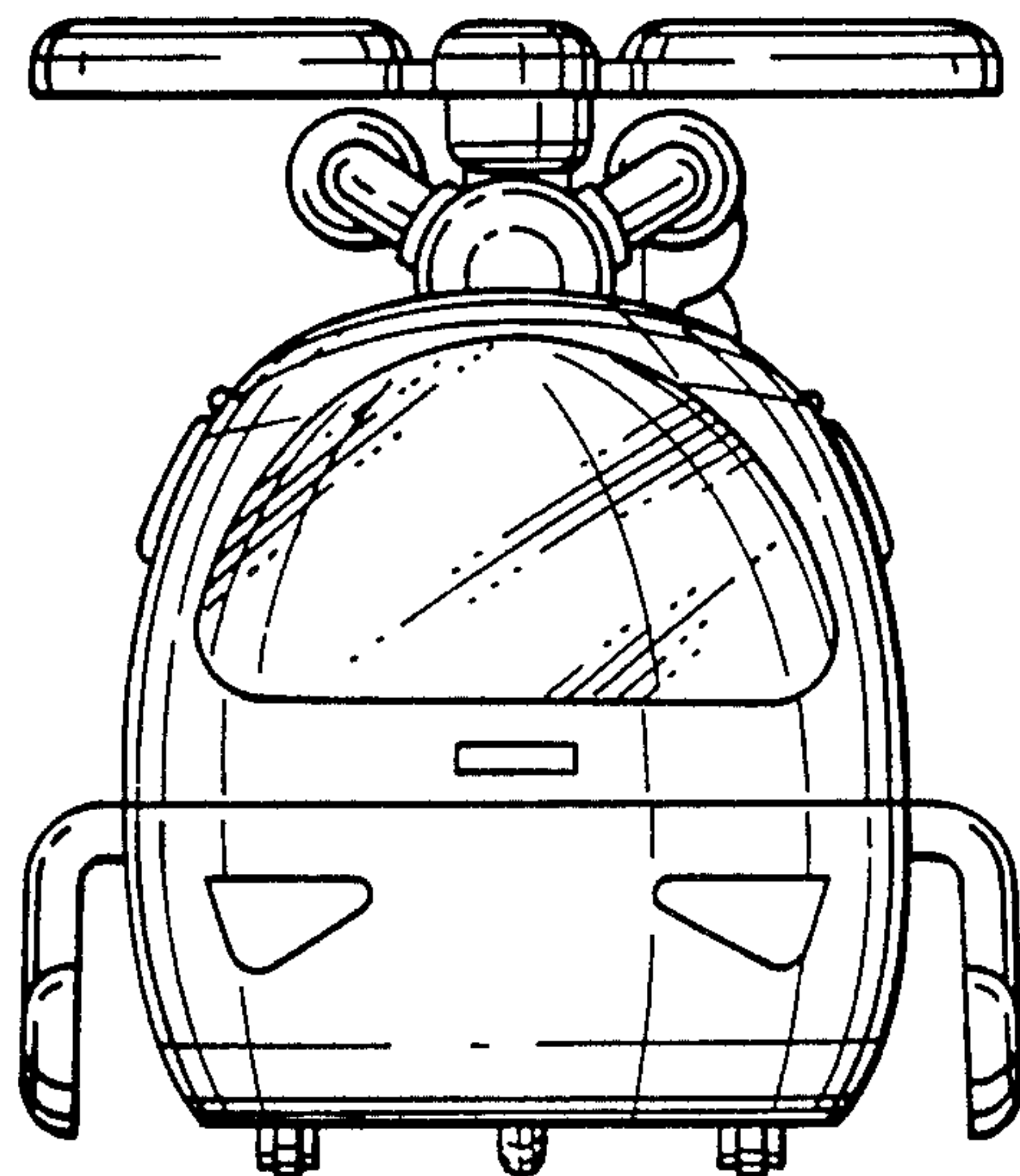


FIG. 1

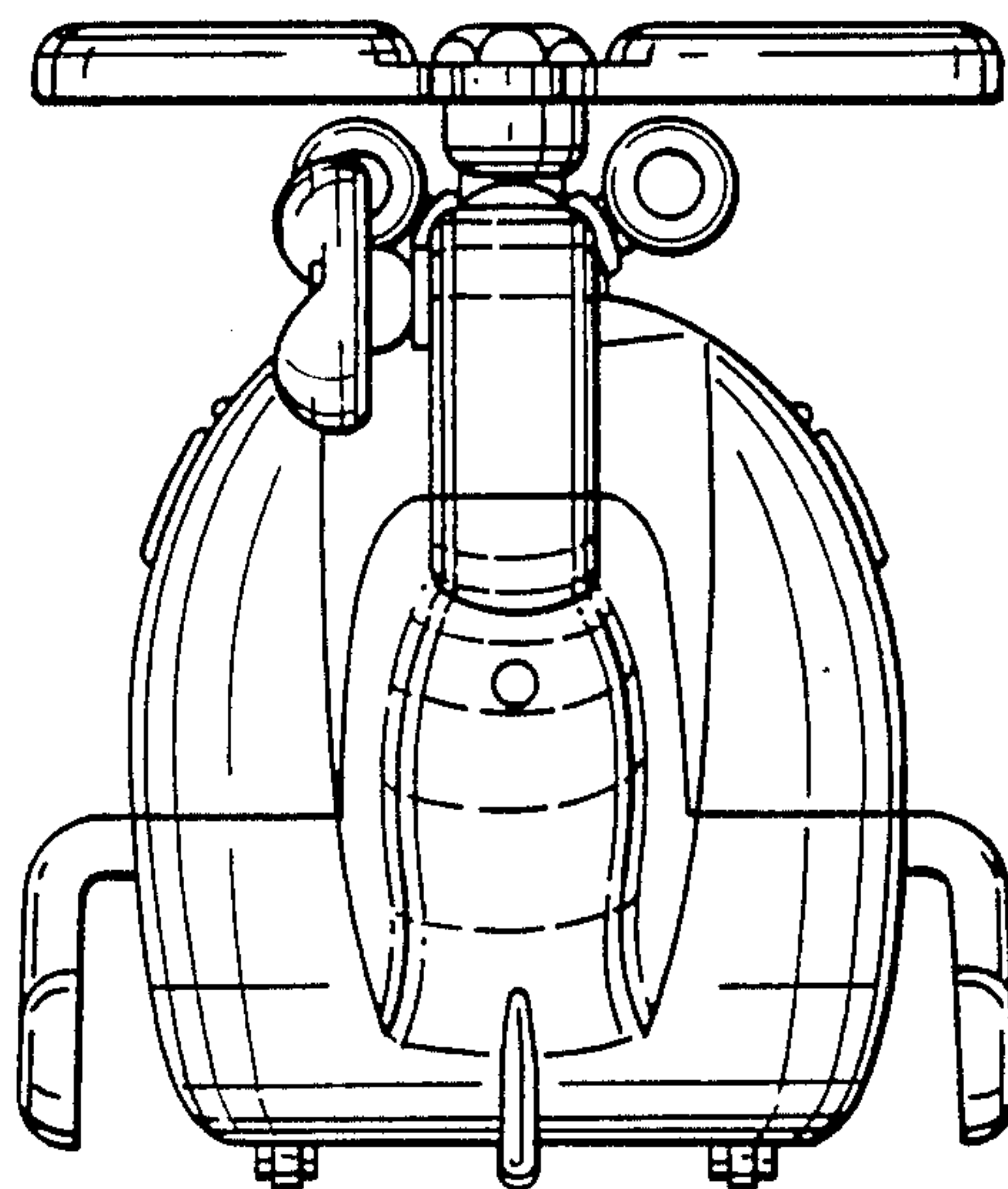


FIG. 2

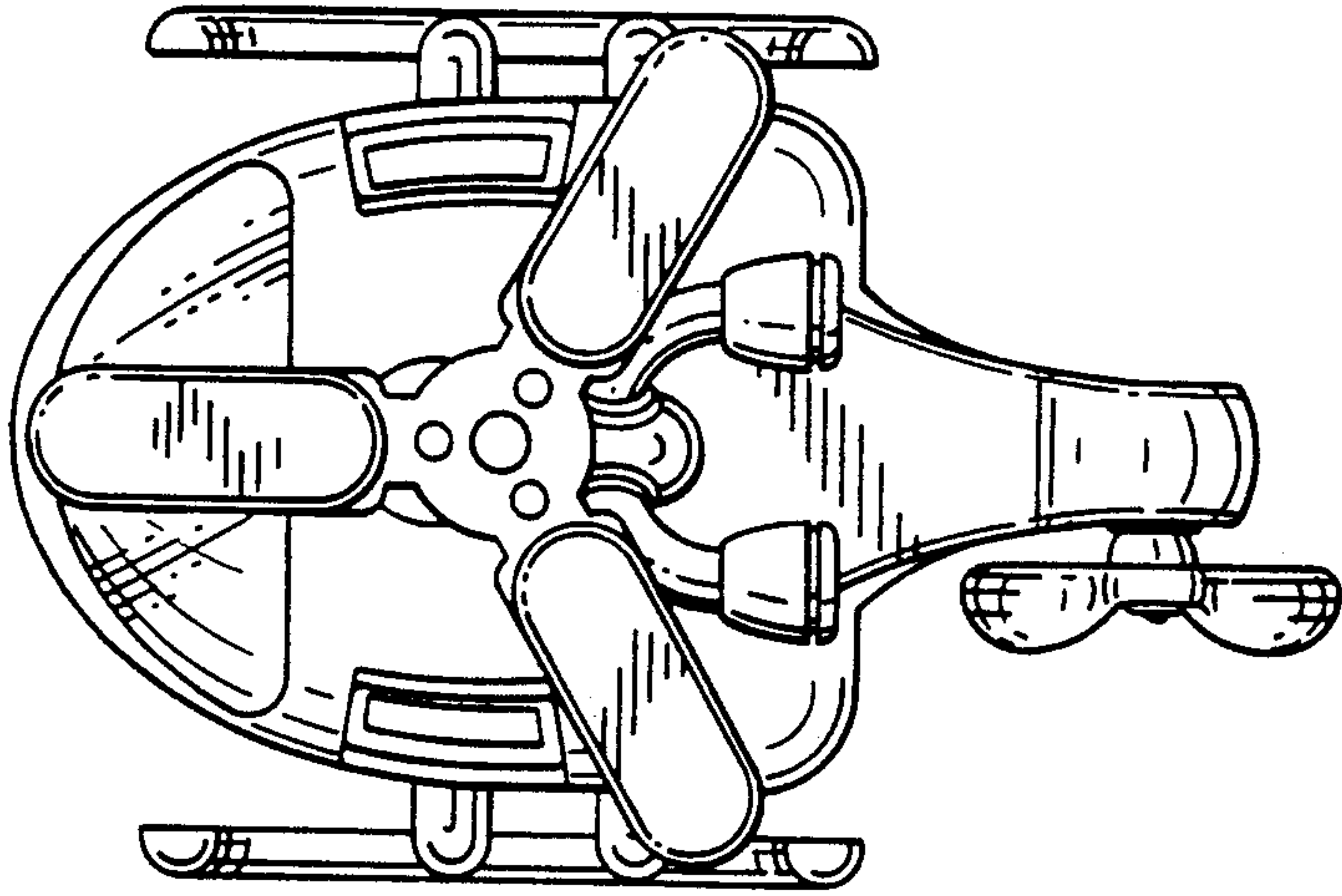


FIG. 3

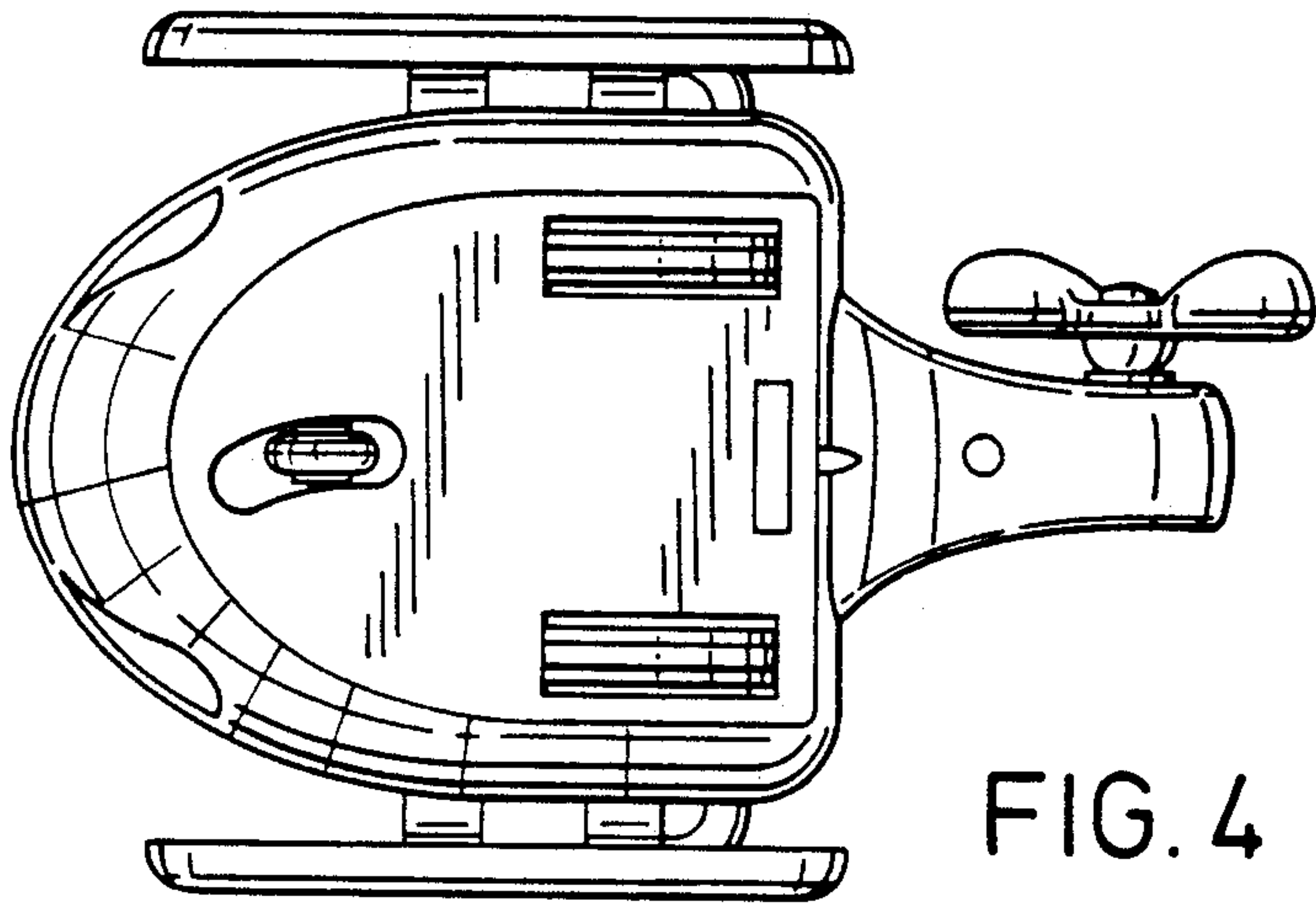


FIG. 4

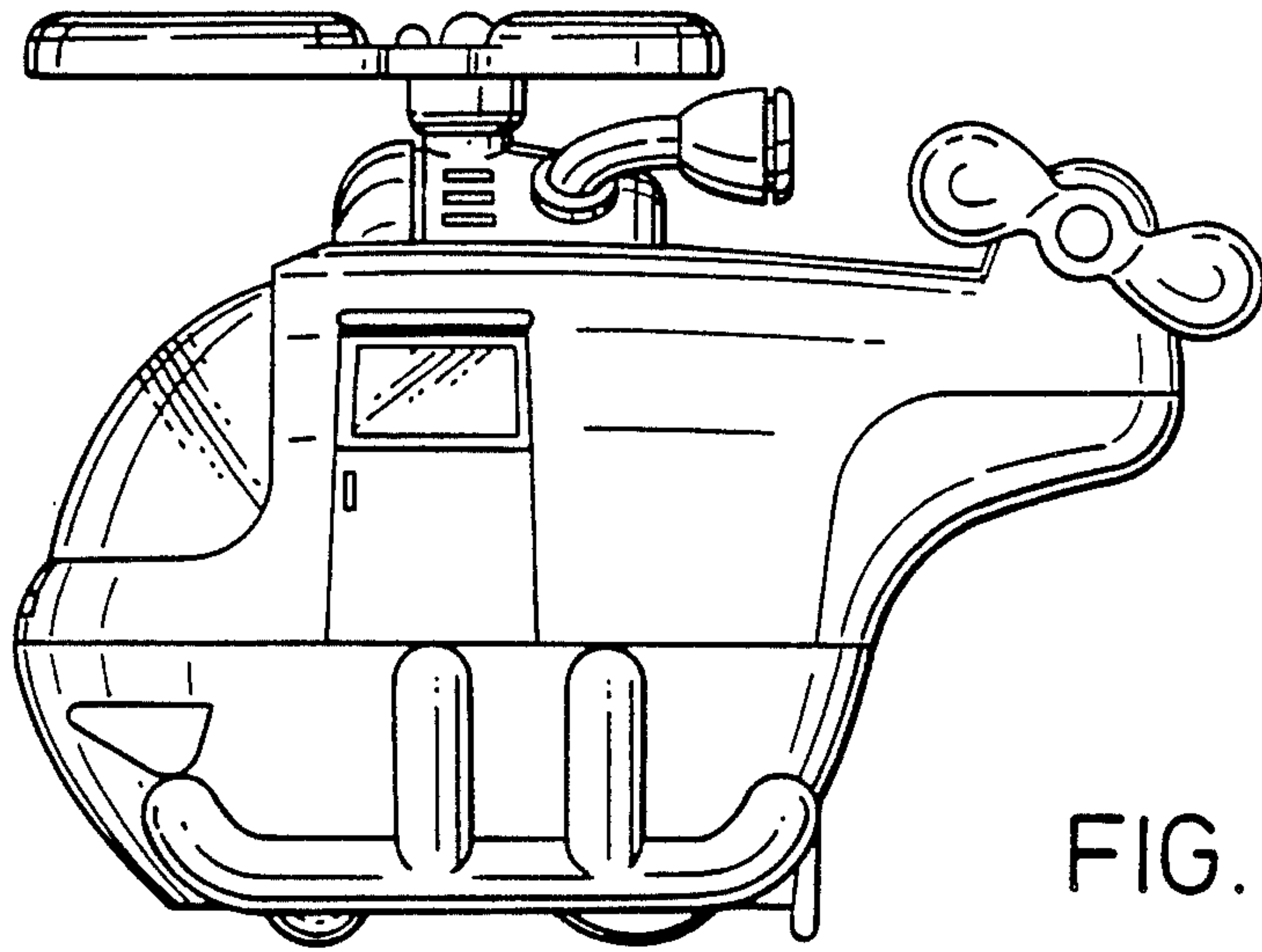


FIG. 5

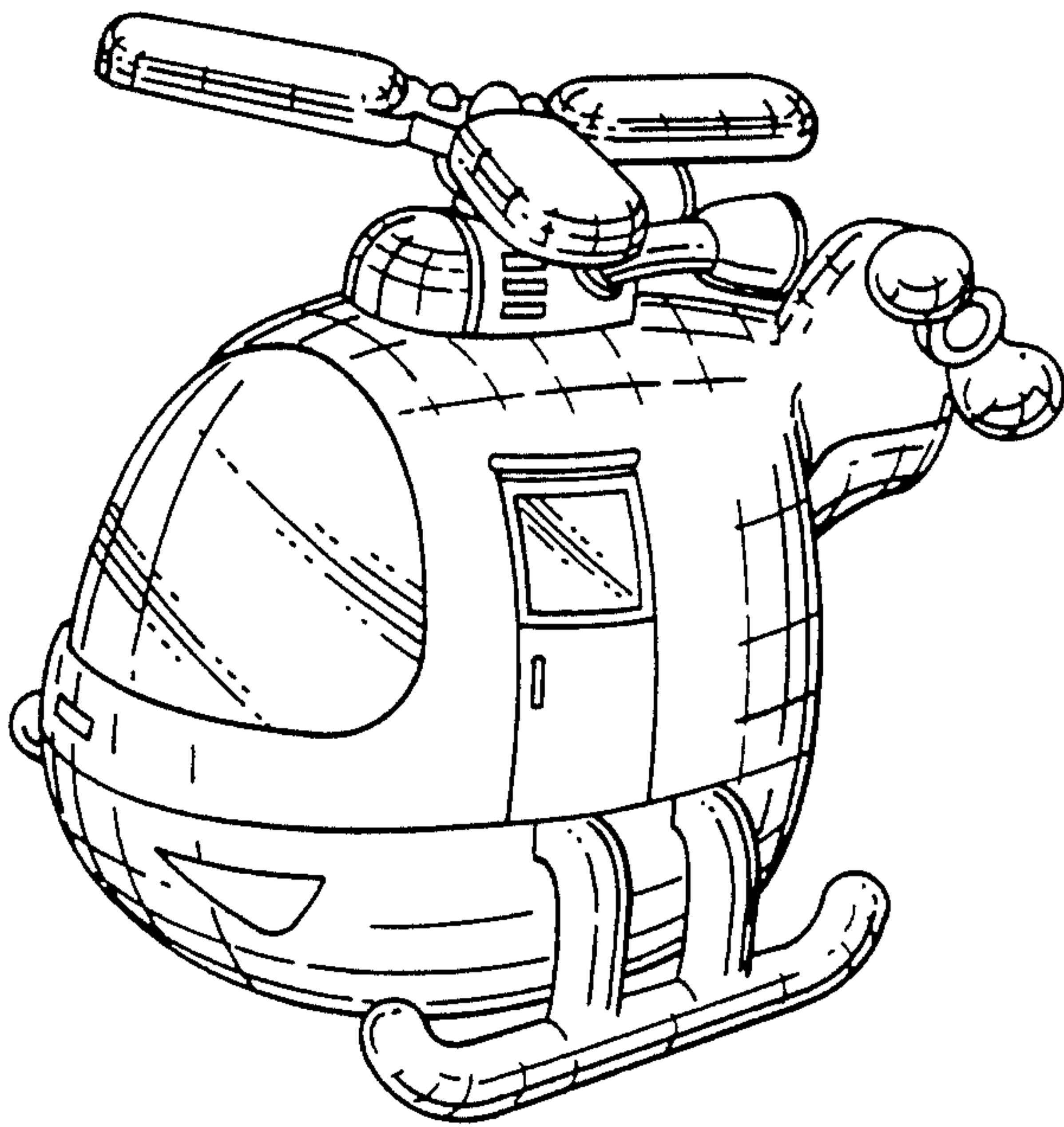


FIG. 6