

United States Patent [19]

Diaz

[11] Patent Number: **Des. 295,053**

[45] Date of Patent: **** Apr. 5, 1988**

[54] **SNARE DRUM SUPPORT STAND**

[76] Inventor: **Gilberto B. Diaz, P.O. Box 3287
Taos, N. Mex. 87571**

[**] Term: **14 Years**

[21] Appl. No.: **739,678**

[22] Filed: **May 31, 1985**

[52] U.S. Cl. **D17/22**

[58] Field of Search **D17/22; D6/449**

[56] **References Cited**

U.S. PATENT DOCUMENTS

D. 180,759 8/1957 Allen D17/22
D. 218,258 8/1970 Thompson D17/22

D. 219,713 1/1971 Thompson D17/22
3,173,642 3/1965 Greenspan D17/22 X
3,405,587 10/1968 Meazzi et al. D17/22 X
3,405,588 10/1968 Della-Porta D17/22 X

Primary Examiner—Bruce W. Dunkins

[57] **CLAIM**

The ornamental design for a snare drum support stand, substantially as shown and described.

DESCRIPTION

FIG. 1 is a front perspective view of a snare drum support stand showing my new design;
FIG. 2 is a rear elevational view thereof;
FIG. 3 is a right side elevational view thereof;
FIG. 4 is a left side elevational view thereof.

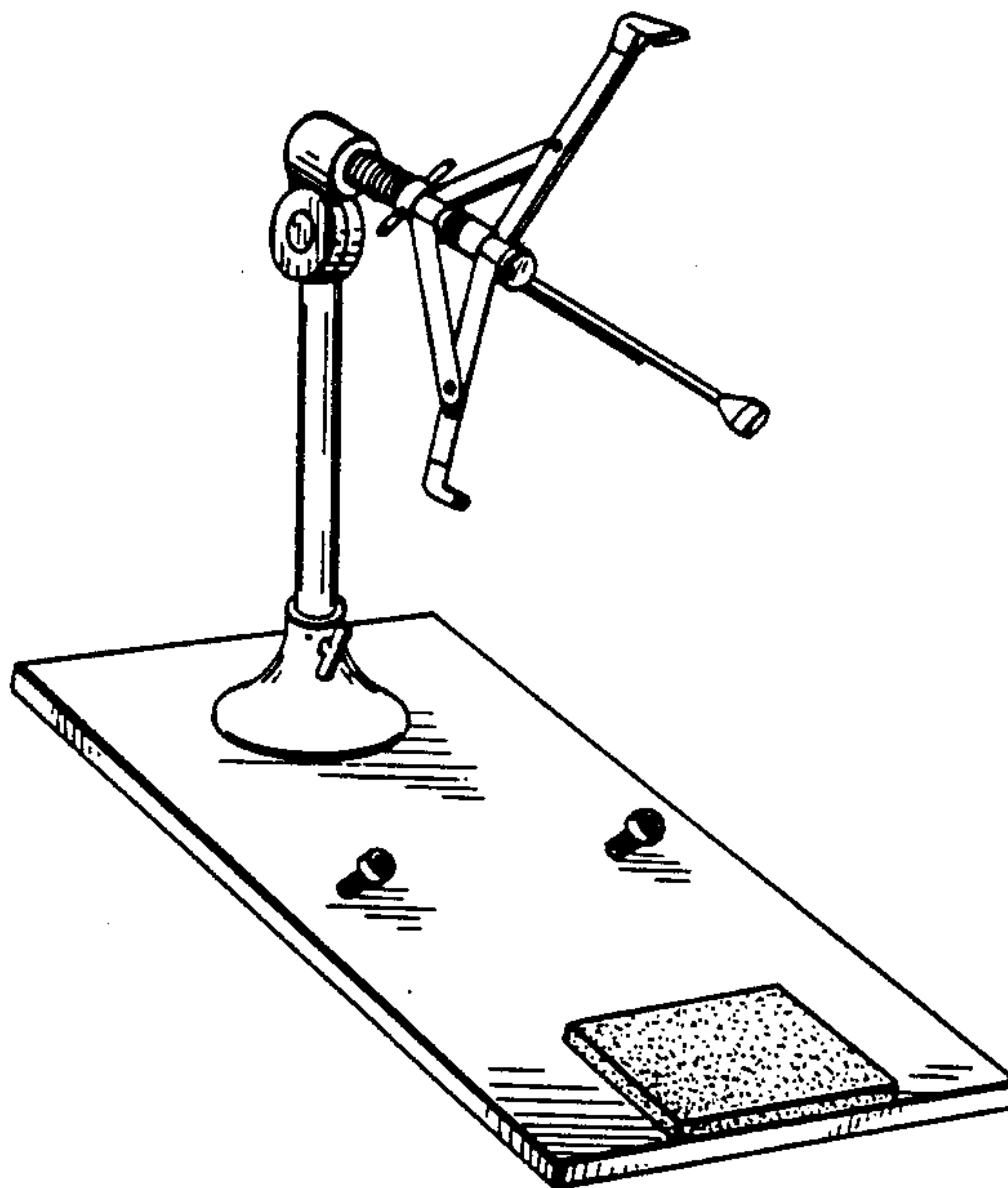


Fig. 1

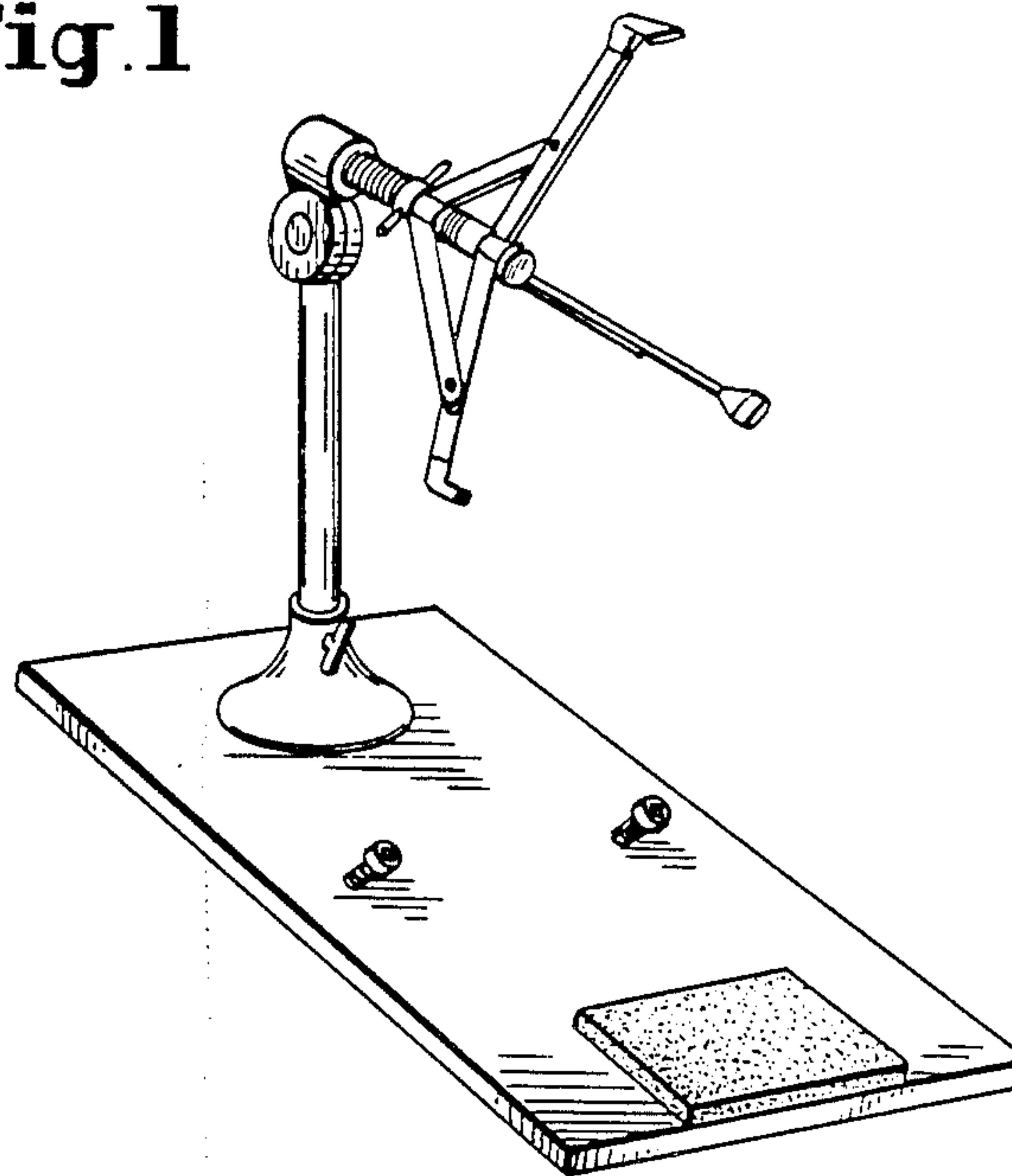


Fig. 2

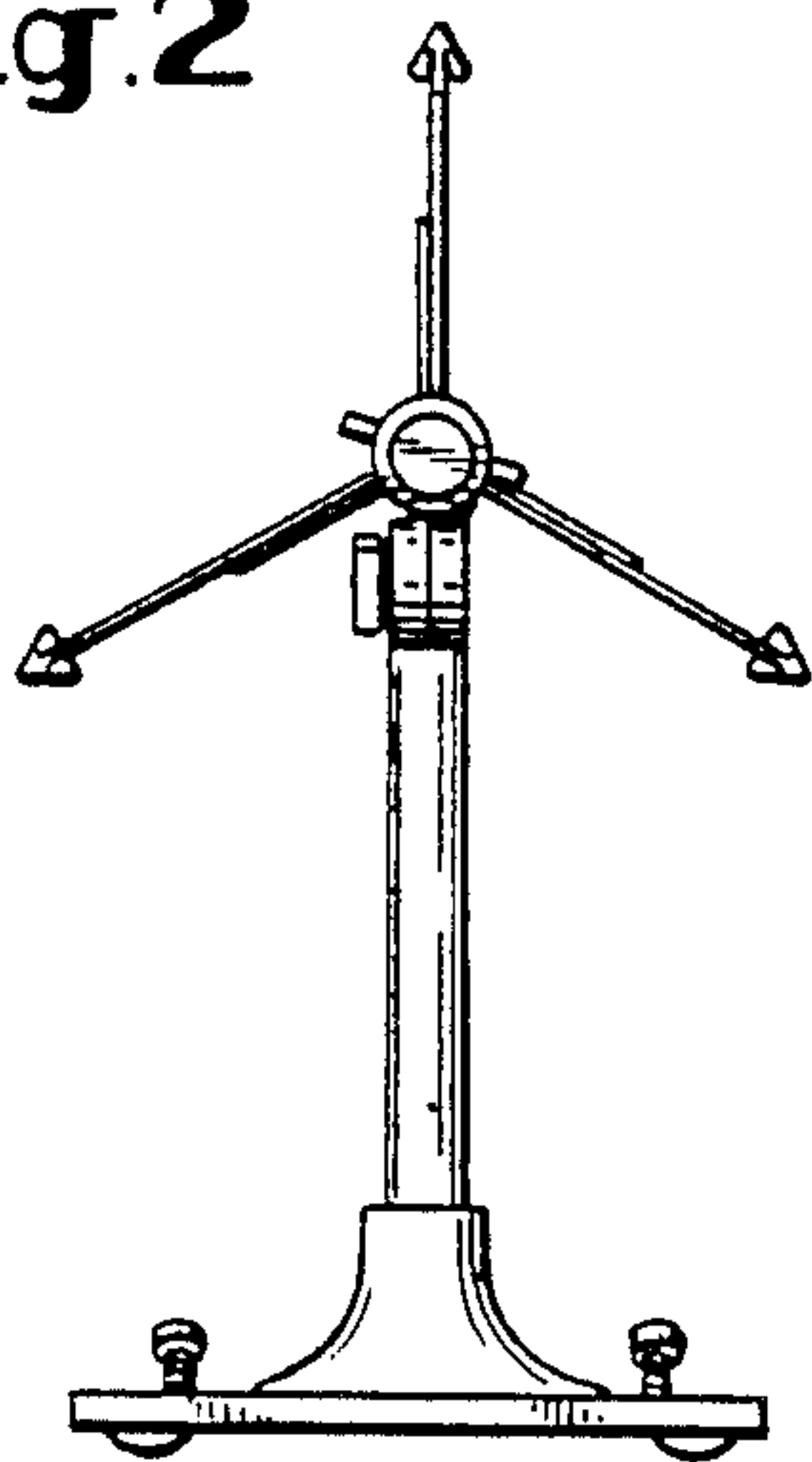


Fig. 3

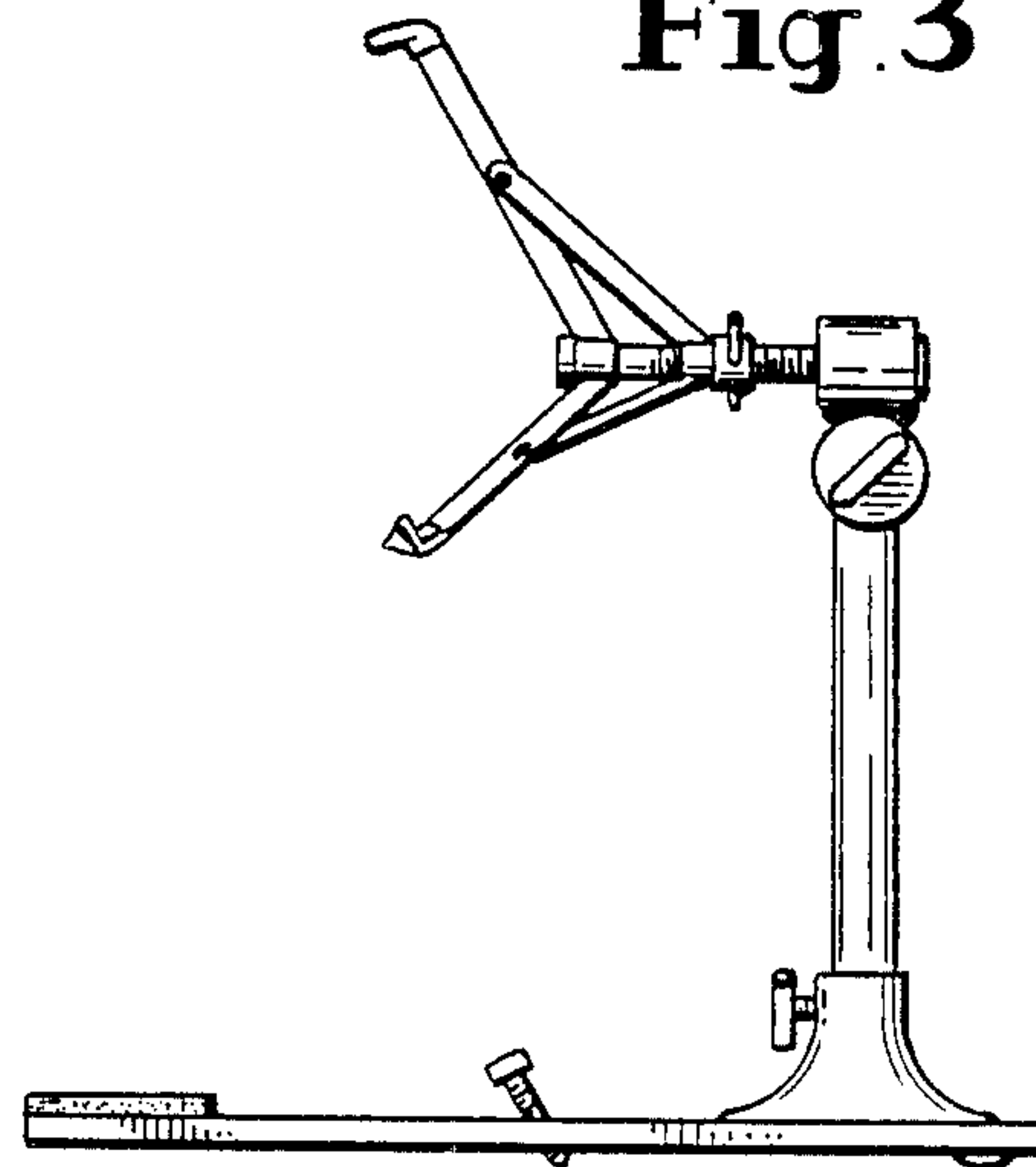


Fig. 4

