

# United States Patent [19]

Johnson et al.

[11] Patent Number: **Des. 295,051**

[45] Date of Patent: **\*\* Apr. 5, 1988**

[54] **FOLDED PHOTOGRAPHIC CAMERA OR SIMILAR ARTICLE**

[75] Inventors: **Bruce K. Johnson, Andover; George D. Whiteside, Lexington, both of Mass.**

[73] Assignee: **Polaroid Corporation, Cambridge, Mass.**

[\*\*] Term: **14 Years**

[21] Appl. No.: **748,225**

[22] Filed: **Jun. 24, 1985**

[52] U.S. Cl. .... **D16/10; D16/5**

[58] Field of Search ..... **D16/1-10; 354/83-86, 158, 187, 192-193, 202, 288**

[56] **References Cited**

**U.S. PATENT DOCUMENTS**

D. 279,574 7/1985 Conner ..... D16/5  
3,959,805 5/1976 Blinow ..... 354/202  
4,331,404 5/1982 Johnson ..... 354/187 X

4,452,520 6/1984 Kaplan ..... 354/187 X  
4,542,967 9/1985 Costa ..... 354/187  
4,545,661 10/1985 Hamaguchi ..... 354/158 X  
4,559,204 4/1987 Launie ..... 354/86 X  
4,664,497 5/1987 Johnson ..... 354/86

*Primary Examiner*—Nelson C. Holtje  
*Attorney, Agent, or Firm*—Leslie J. Payne

[57] **CLAIM**

The ornamental design for a folded photographic camera or similar article, as shown.

**DESCRIPTION**

FIG. 1 is a left front perspective view of a folded photographic camera or similar article showing our new design;

FIG. 2 is a front elevational view thereof;

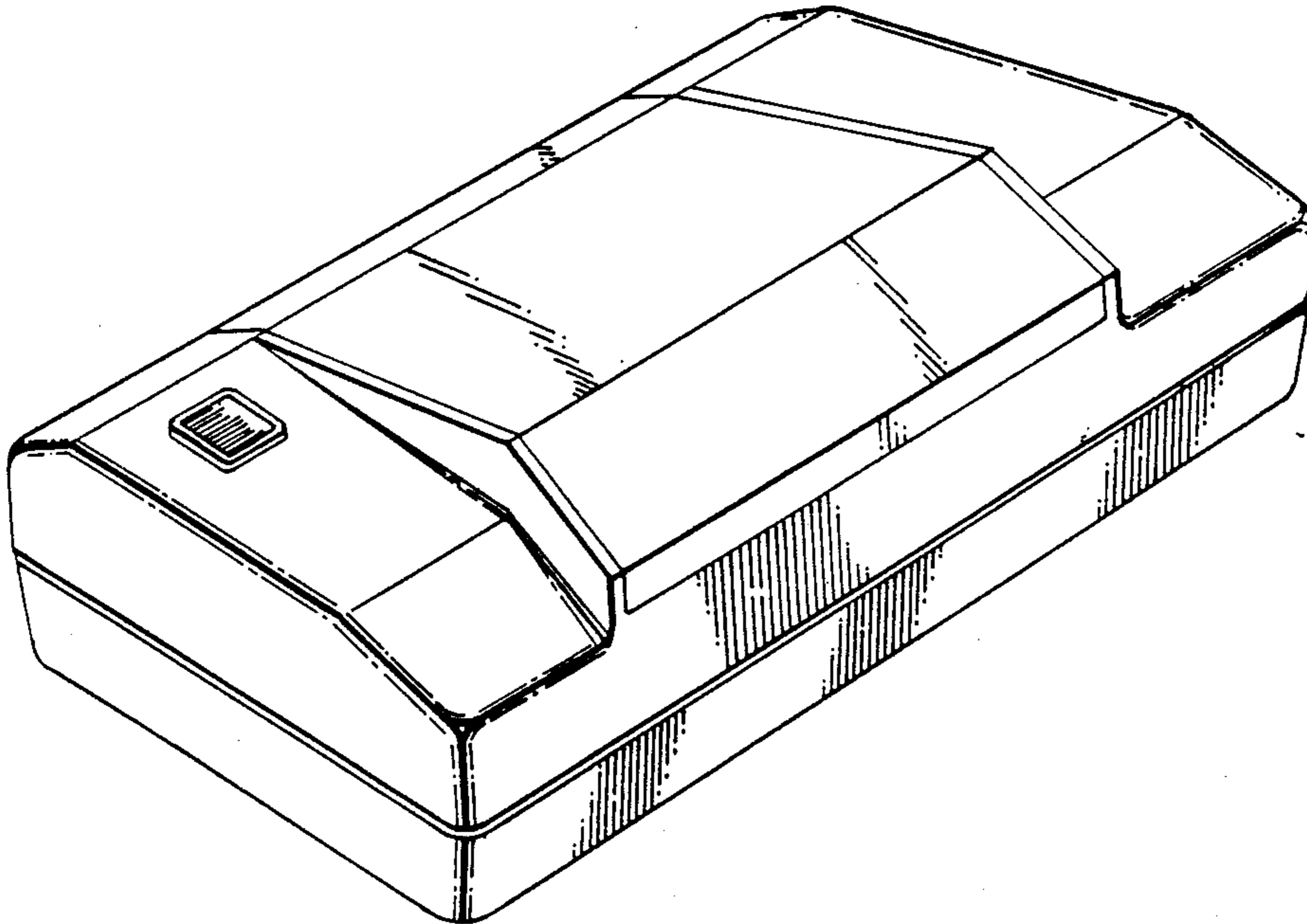
FIG. 3 is a top plan view thereof;

FIG. 4 is a rear elevational view thereof;

FIG. 5 is a left side elevational view thereof;

FIG. 6 is a right side elevational view thereof; and

FIG. 7 is a bottom plan view thereof.



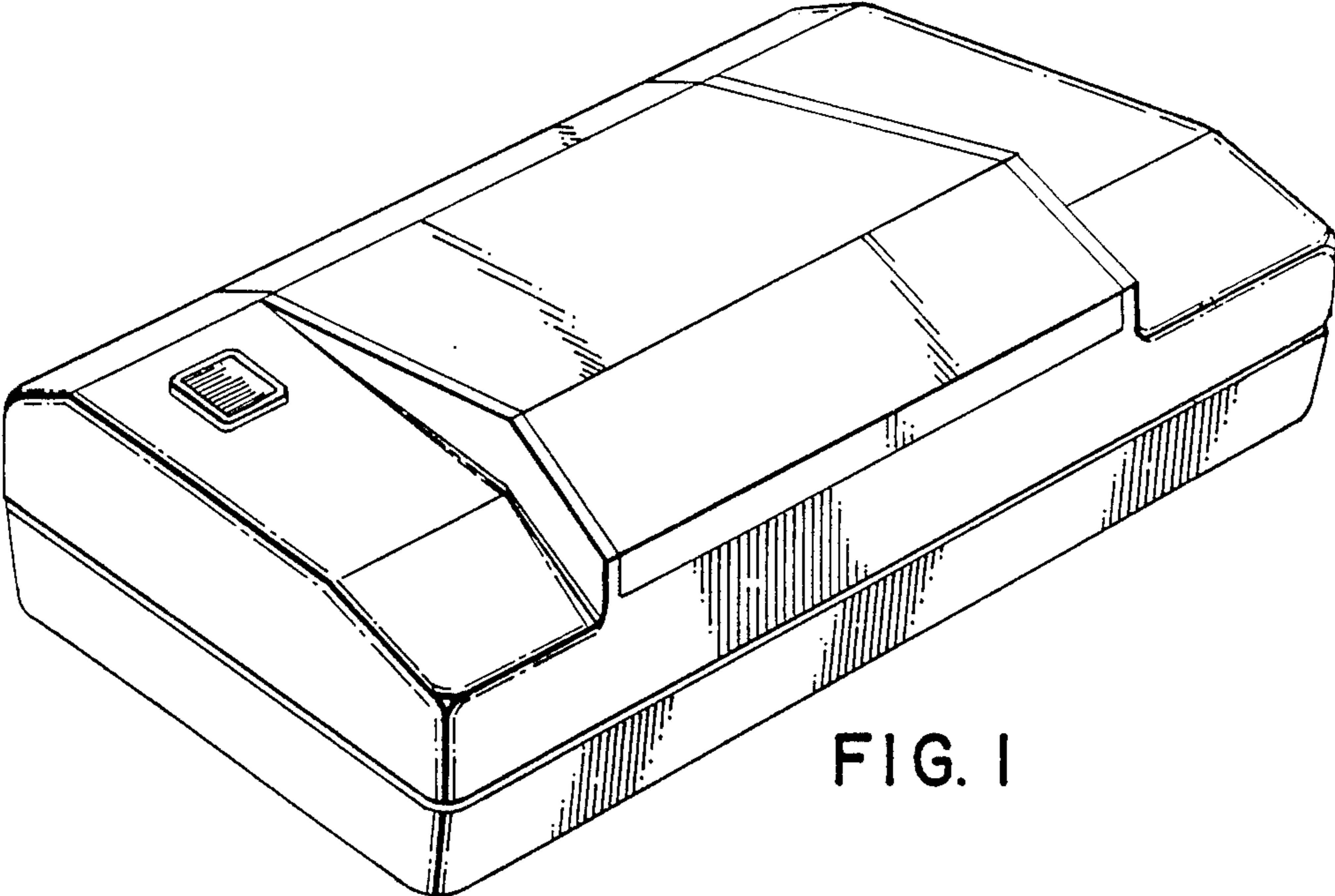


FIG. 1

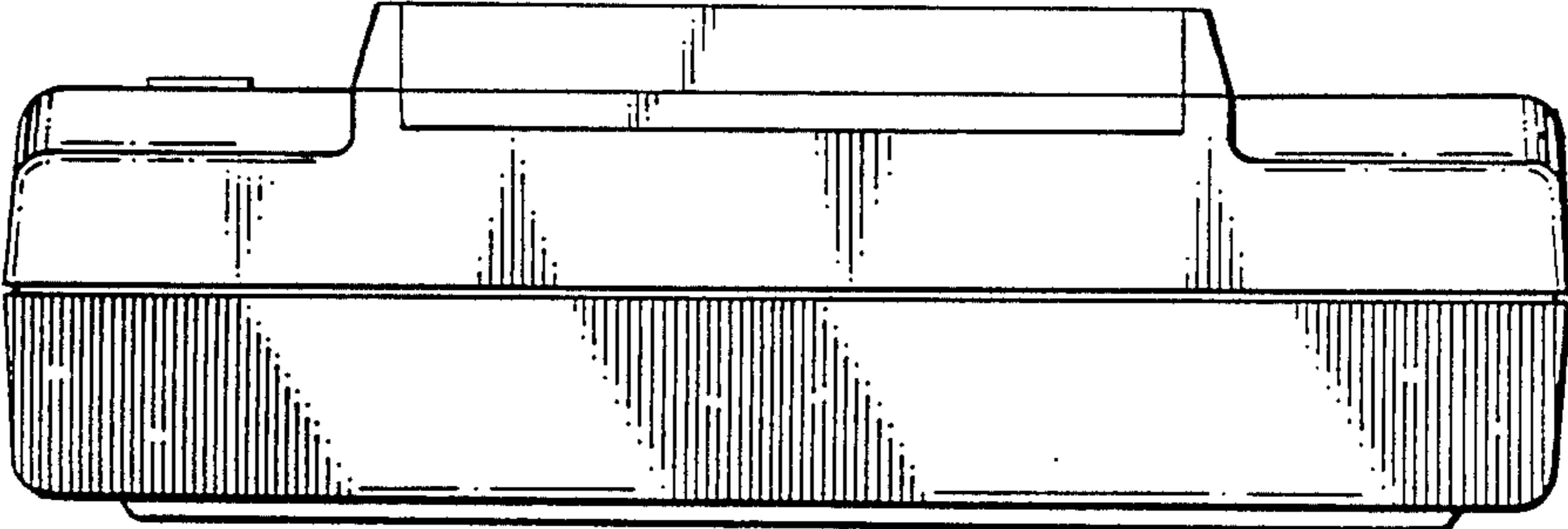


FIG. 2

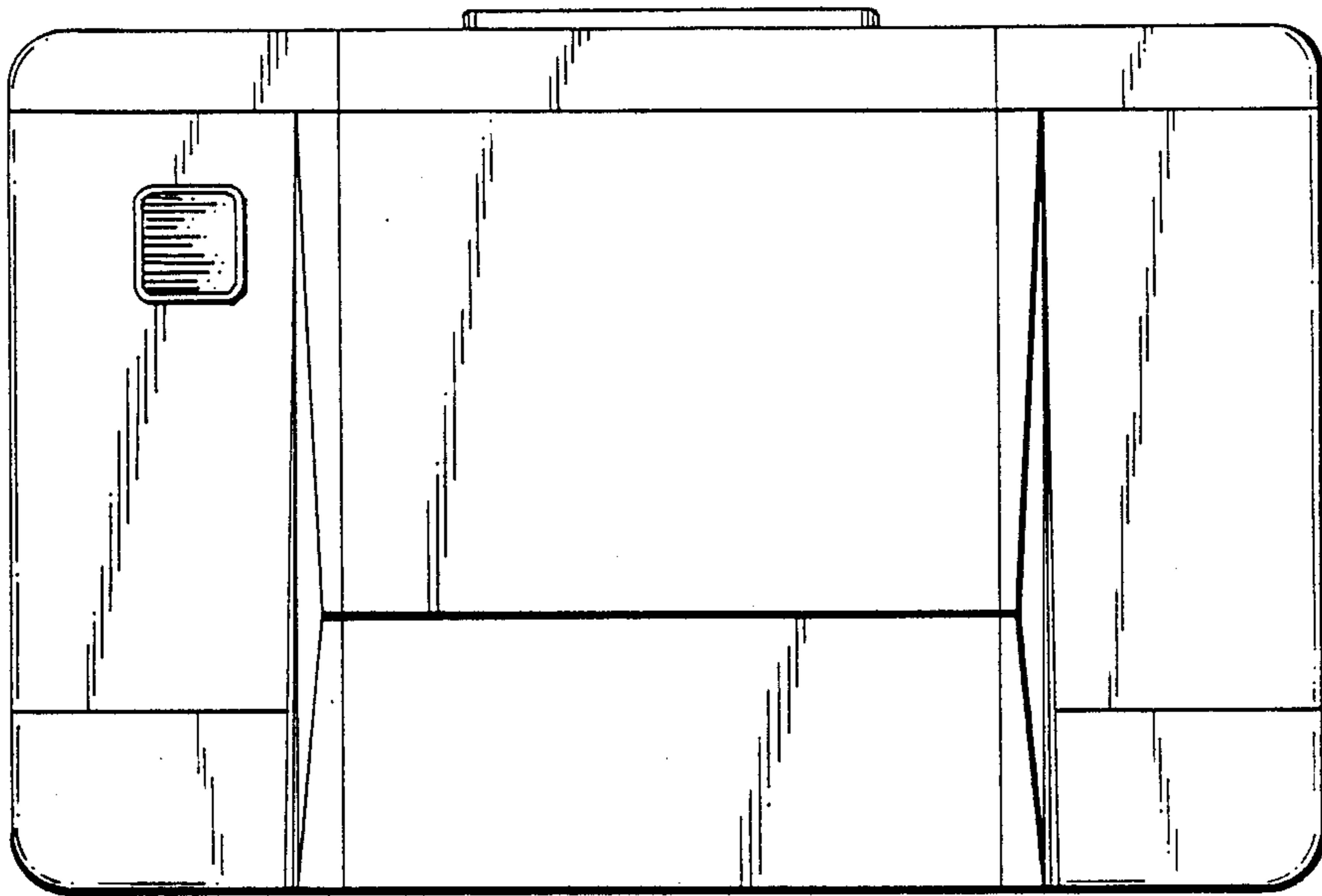


FIG. 3

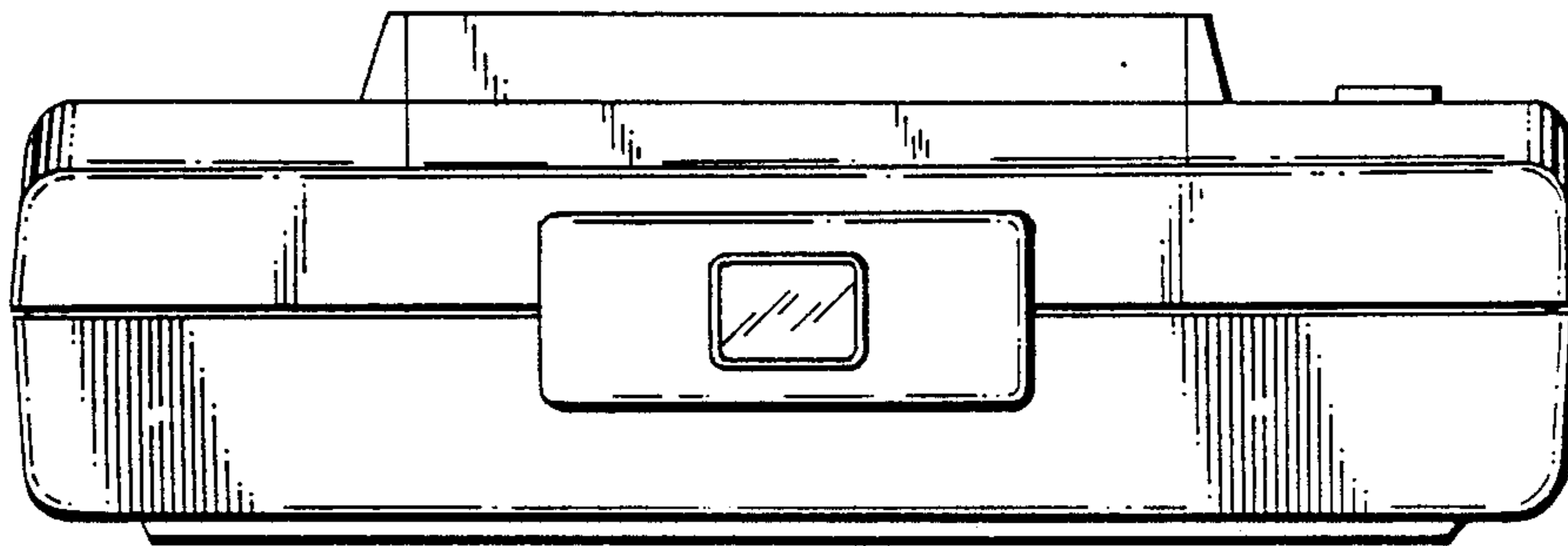


FIG. 4

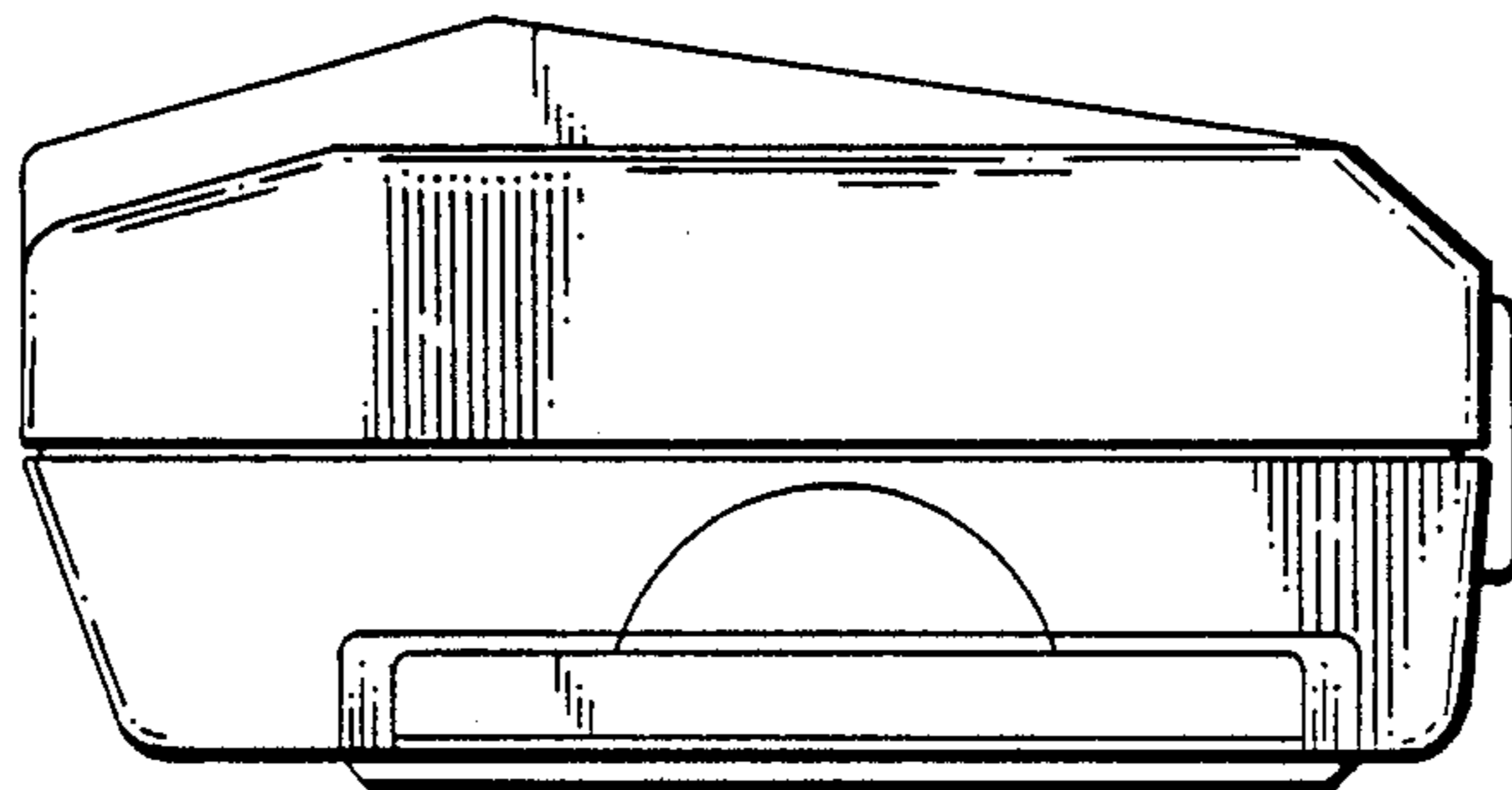


FIG. 5

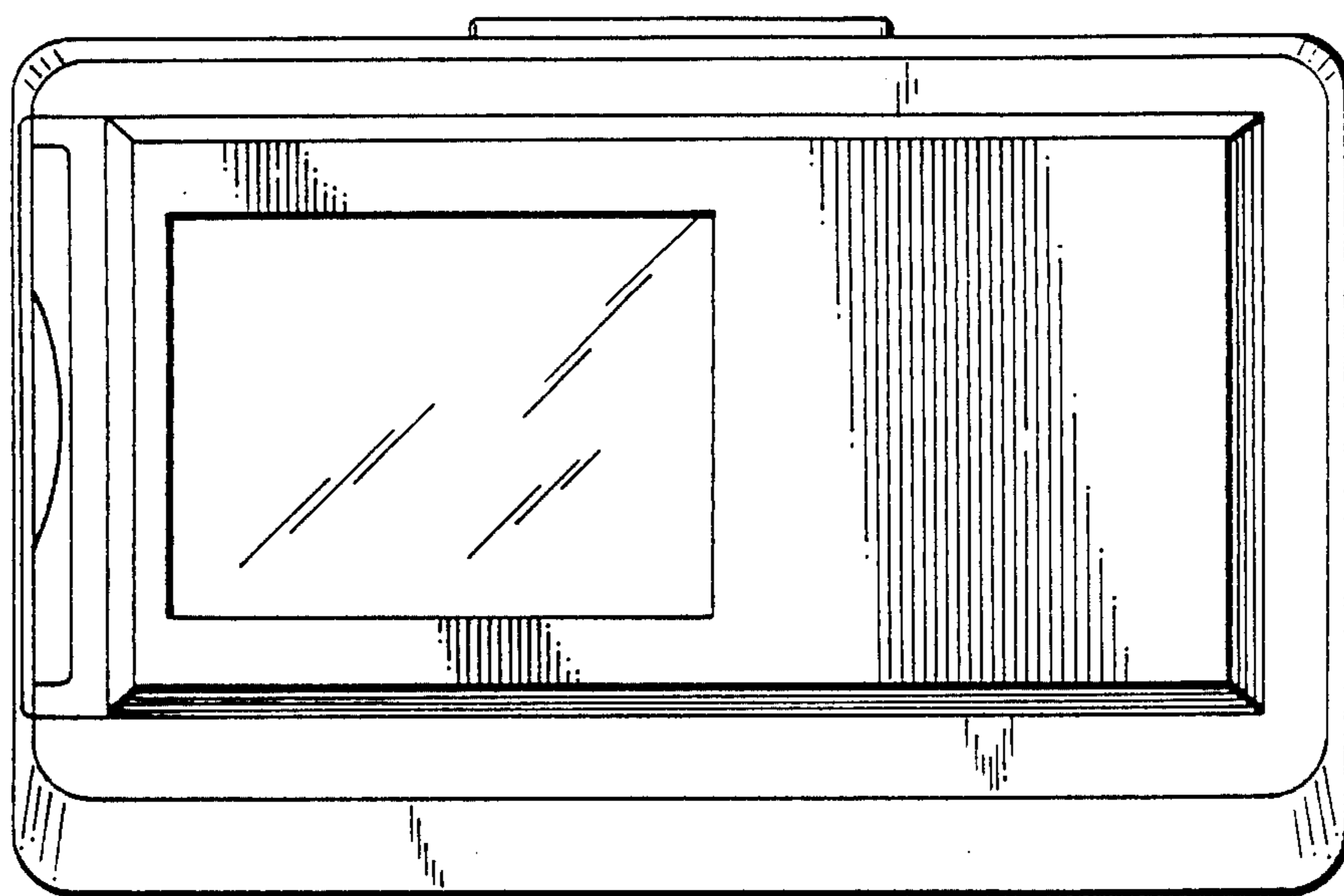


FIG. 7

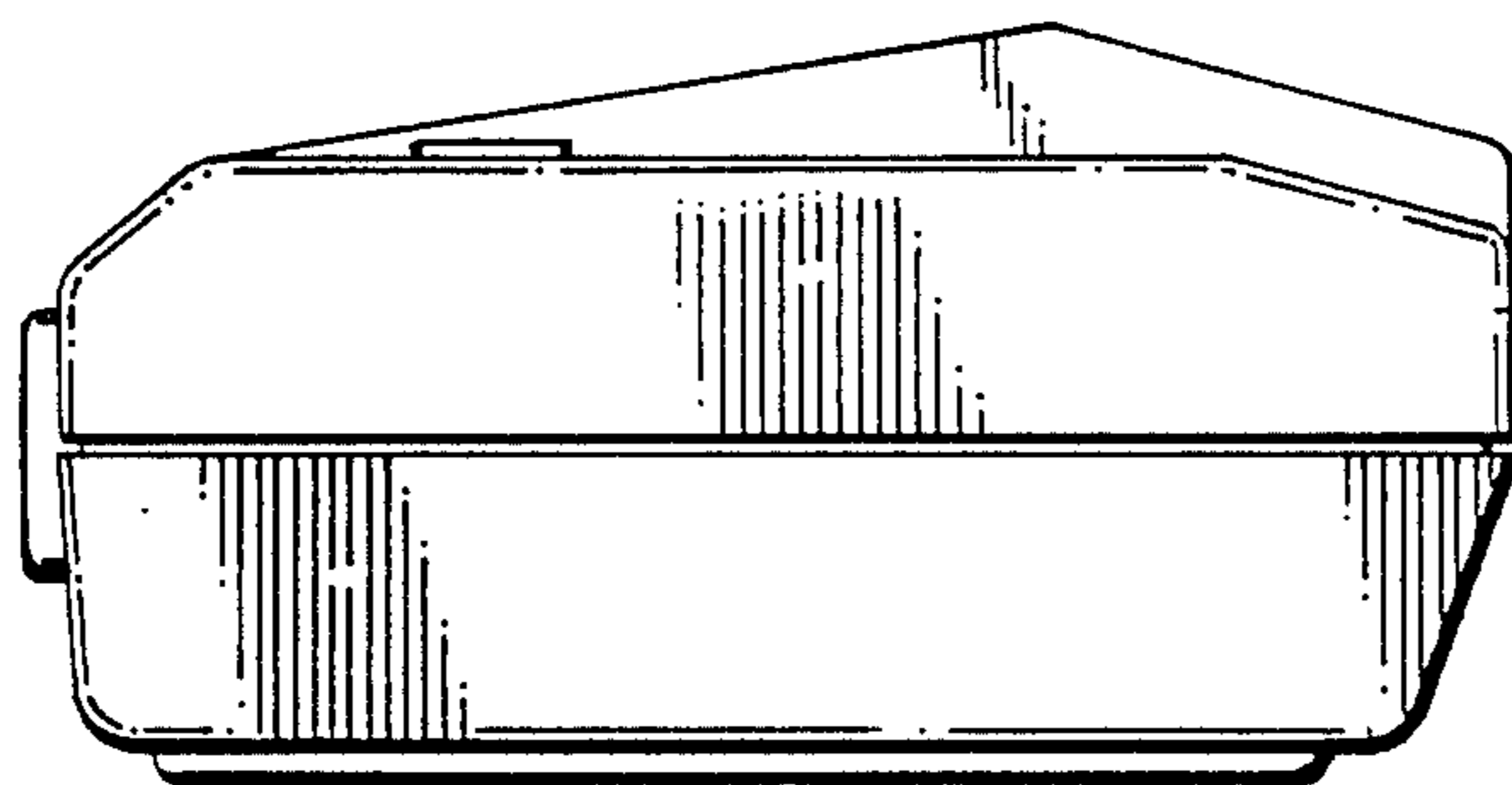


FIG. 6