

[54] COMBINED VACUUM PUMP AND CONTROL VALVE THEREFOR

[75] Inventor: Teruo Kanno, Tokyo, Japan

[73] Assignee: Myotoku Ltd., Japan

[**] Term: 14 Years

[21] Appl. No.: 803,770

[22] Filed: Oct. 25, 1985

[52] U.S. Cl. D15/7

[58] Field of Search D15/7-9; 294/64.1, 64.2, 65.5

[56] References Cited

U.S. PATENT DOCUMENTS

- D. 215,883 11/1969 Svenson D15/7
- D. 268,759 4/1983 Hoebeke D15/5
- D. 271,586 11/1983 Ise .
- D. 271,587 11/1983 Ise .
- D. 280,727 9/1985 Rumbarger, Jr. et al. D15/7
- 4,600,363 7/1986 Ise et al. 294/642

OTHER PUBLICATIONS

Myotoku Ltd.'s Cat. 0002 CVA CONVUM, 10/81.

Primary Examiner—B. J. Bullock

Assistant Examiner—Brian N. Vinson

Attorney, Agent, or Firm—Biebel, French & Nauman

[57] CLAIM

The ornamental design for combined vacuum pump and control valve therefor, substantially as shown.

DESCRIPTION

FIG. 1 is a top perspective view of a combined vacuum pump and control valve therefor showing my new design;

FIG. 2 is a left side elevational view thereof;

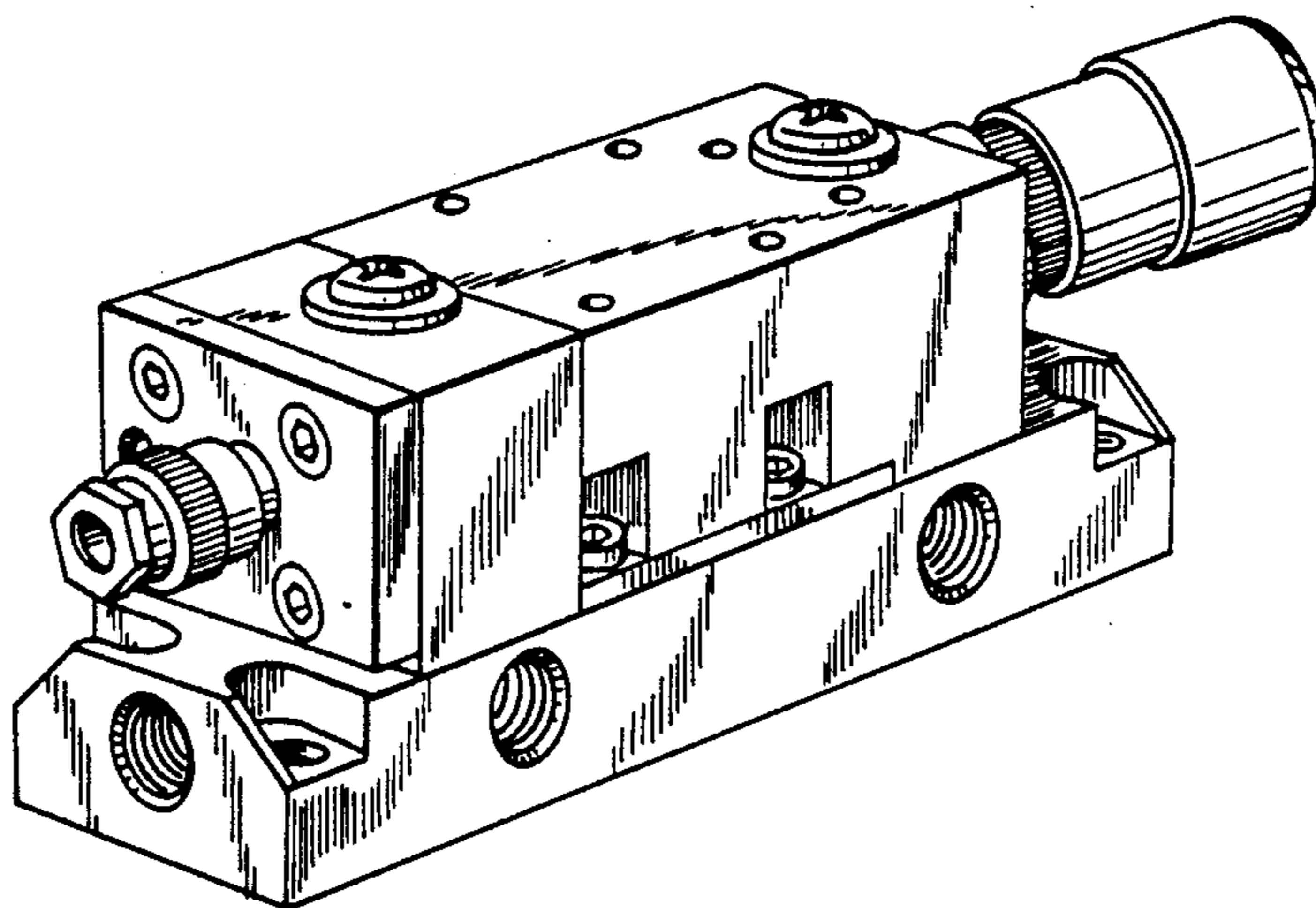
FIG. 3 is a right side elevational view thereof;

FIG. 4 is a top plan view thereof;

FIG. 5 is a bottom plan view thereof;

FIG. 6 is a rear elevational view thereof; and

FIG. 7 is a front elevational view thereof.



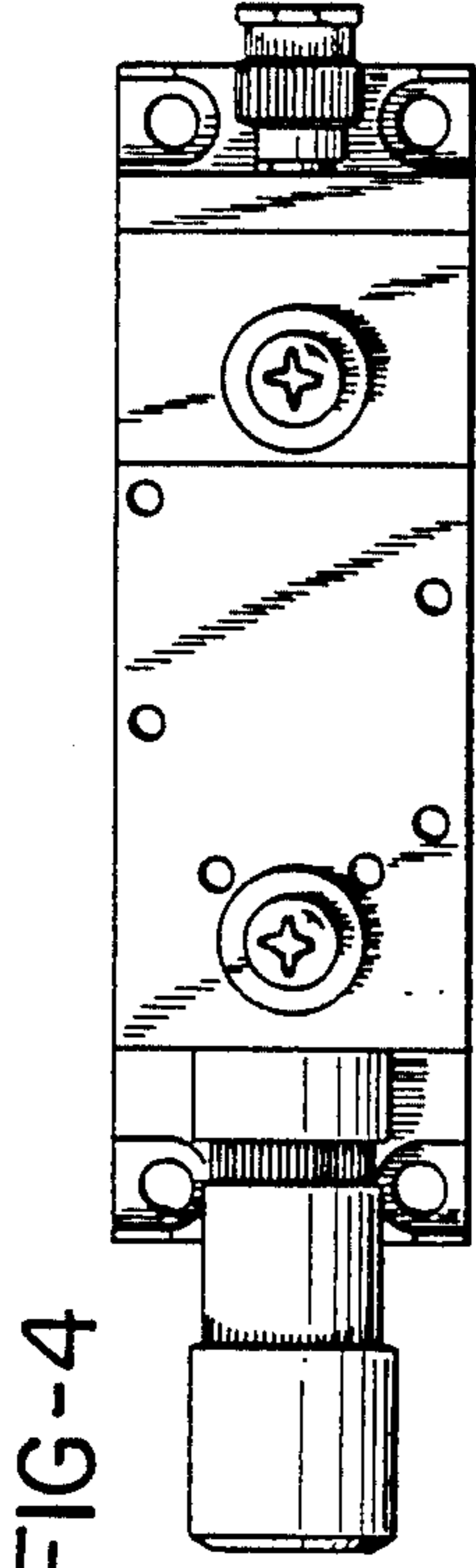


FIG-4

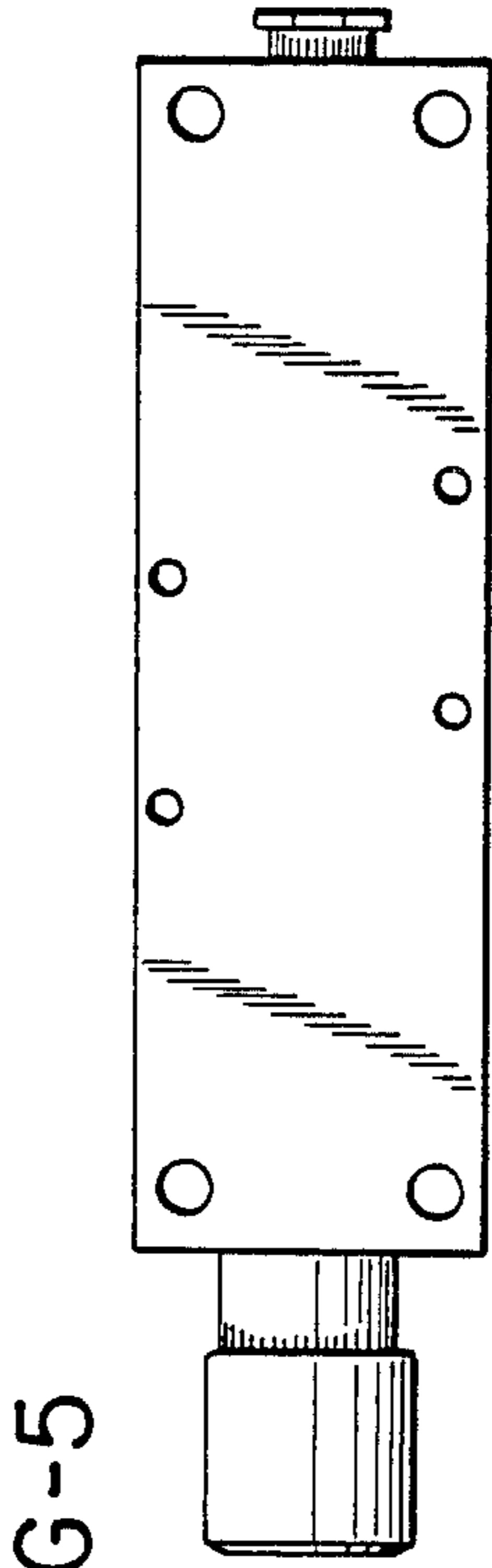


FIG-5

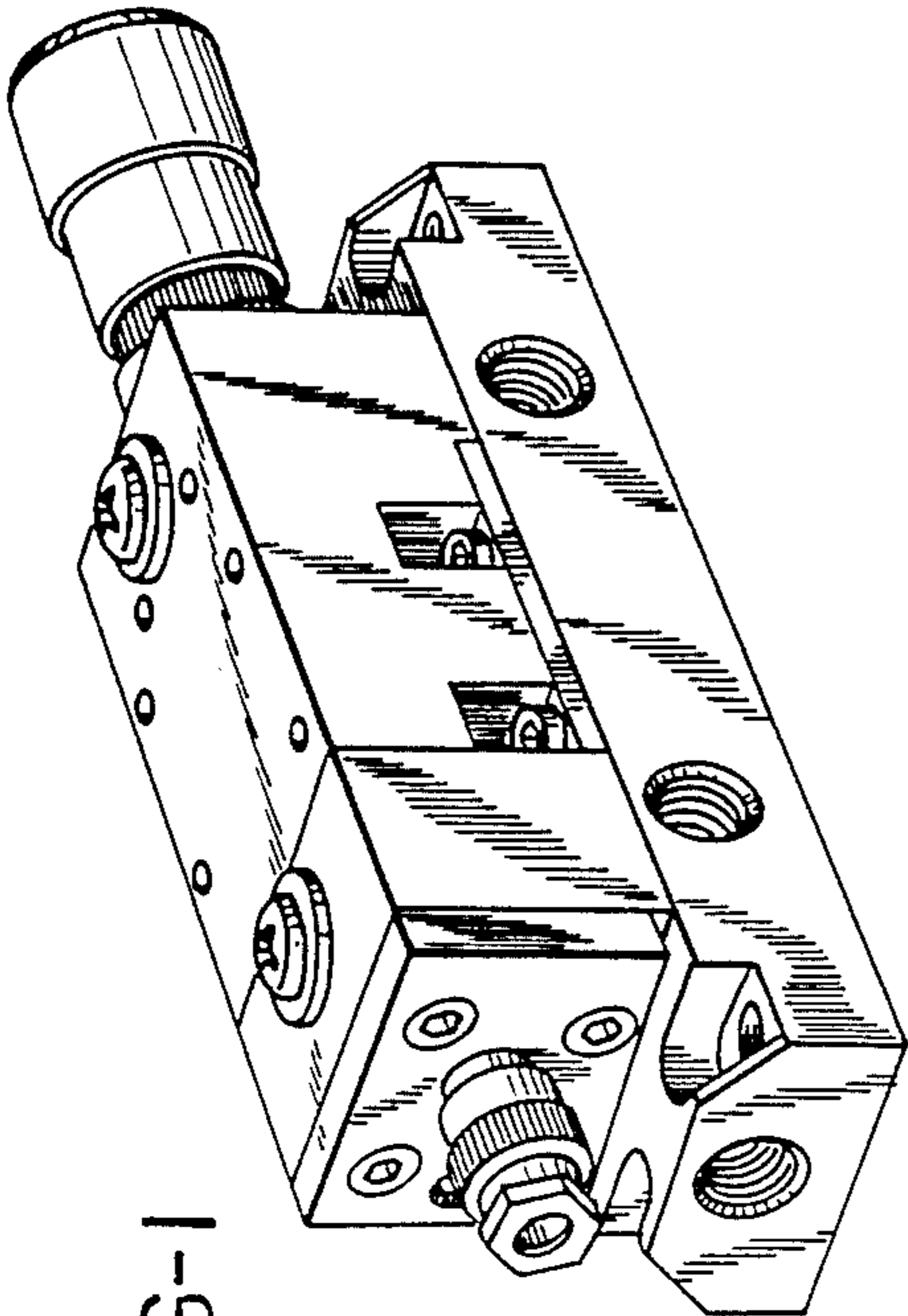


FIG-1

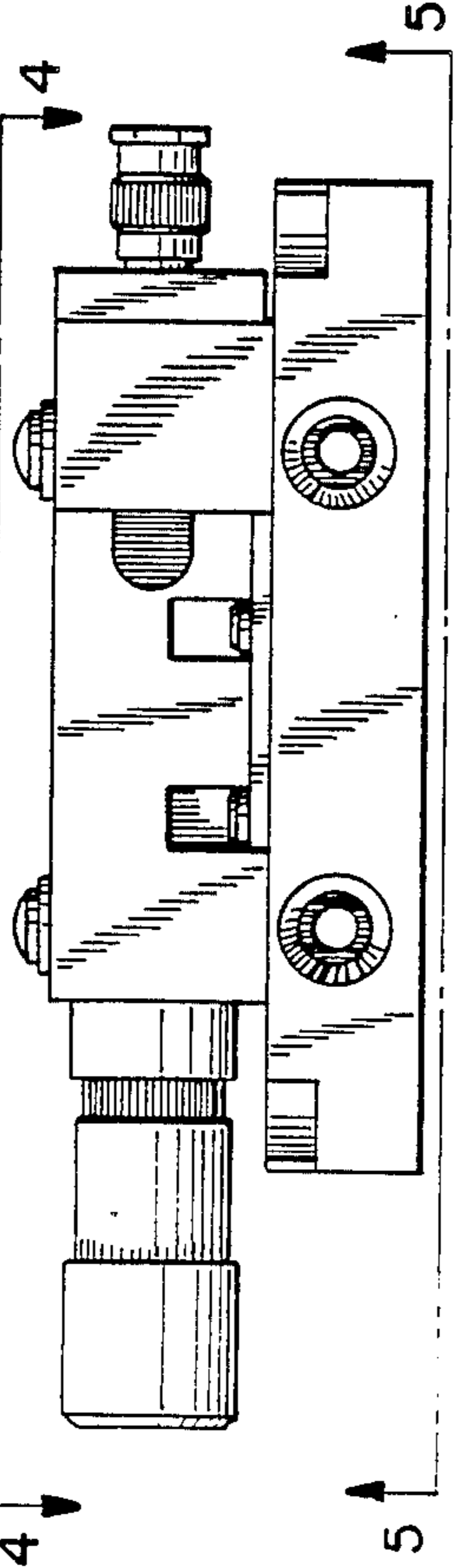


FIG-2

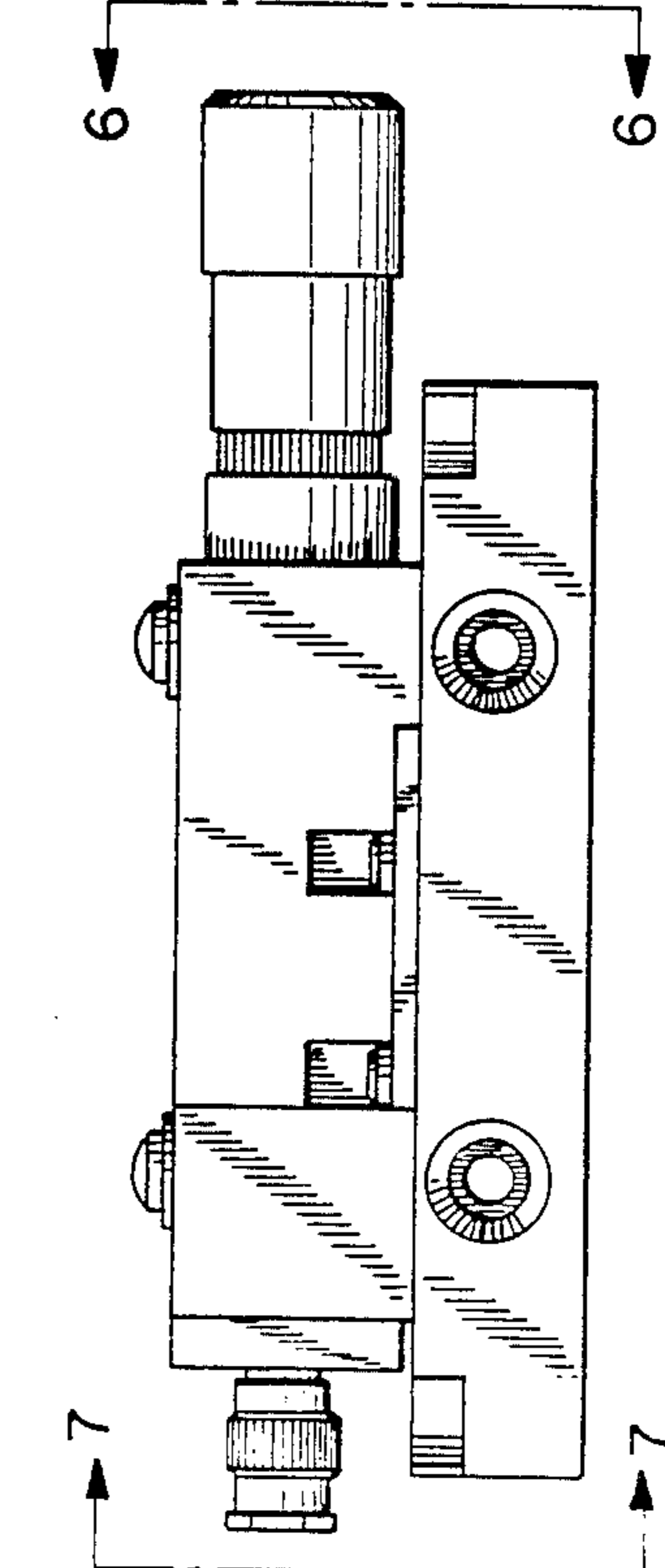


FIG-3

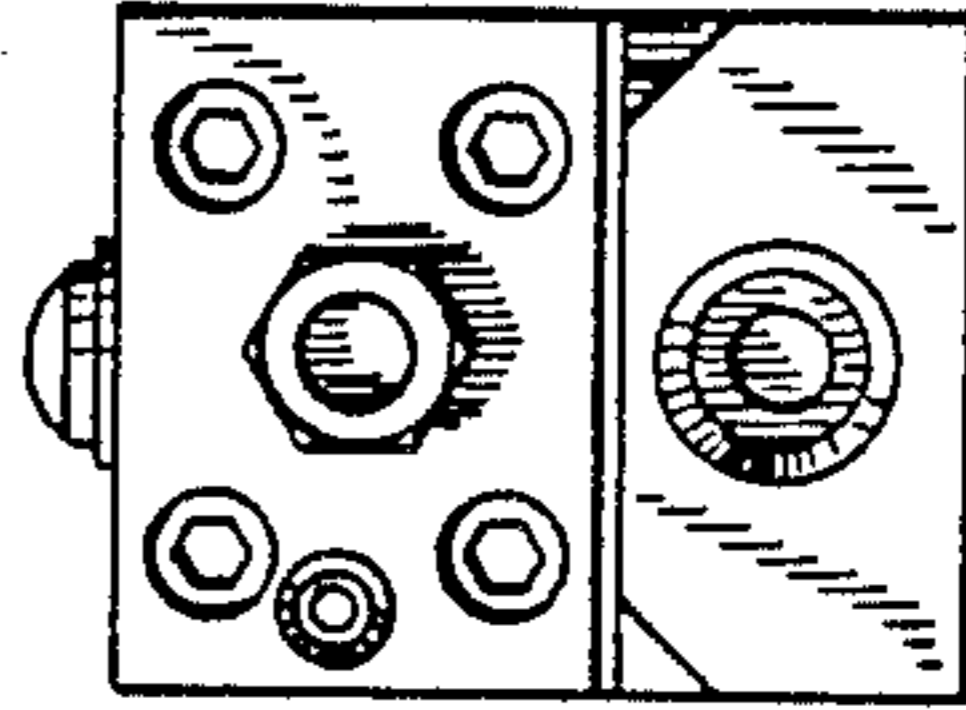


FIG-7

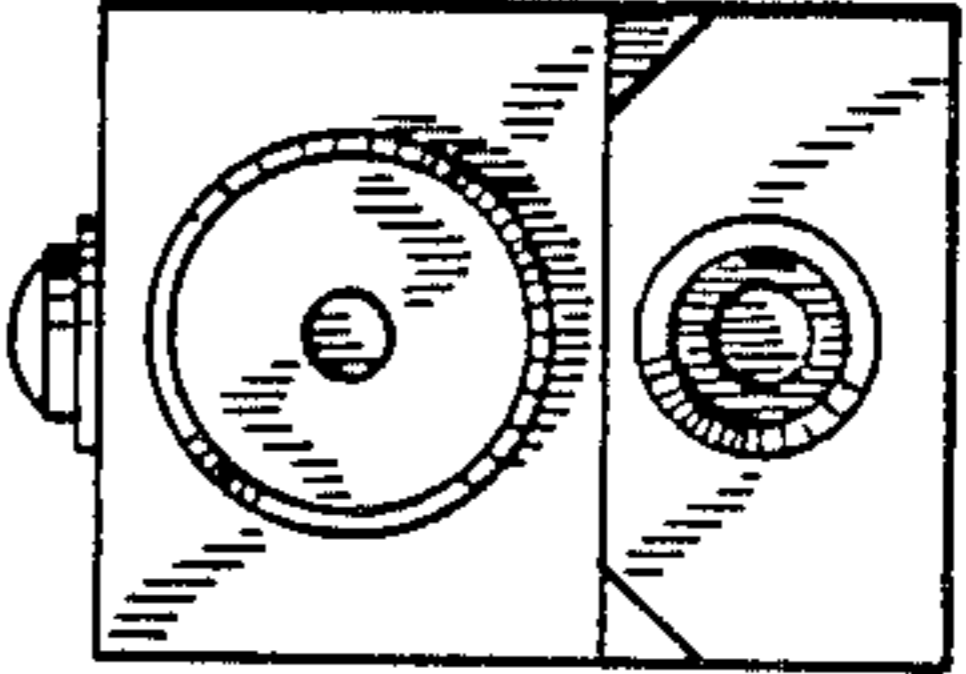


FIG-6