

[54] COMBINED VACUUM PUMP AND CONTROL VALVES THEREFOR

[75] Inventor: Teruo Kanno, Tokyo, Japan

[73] Assignee: Myotoku Ltd., Japan

[**] Term: 14 Years

[21] Appl. No.: 791,419

[22] Filed: Oct. 25, 1985

[52] U.S. Cl. D15/7

[58] Field of Search D15/7-9; 294/64.1, 64.2, 65.5

[56] References Cited

U.S. PATENT DOCUMENTS

D. 215,883	11/1969	Svenson	D15/7
D. 268,759	4/1983	Hoebeke	D15/5
D. 271,586	11/1983	Ise	294/64.1
D. 271,587	11/1983	Ise	294/64.1
D. 280,727	9/1985	Rumbarger, Jr. et al.	D15/7
4,600,363	7/1986	Ise et al.	294/642

OTHER PUBLICATIONS

Myotoku Ltd.'s Cat. 0002 CVA CONVUM, 10/81.

Primary Examiner—B. J. Bullock

Assistant Examiner—Brian N. Vinson

Attorney, Agent, or Firm—Biebel, French & Nauman

[57] CLAIM

The ornamental design for a combined vacuum pump and control valves therefor, substantially as shown.

DESCRIPTION

FIG. 1 is a top perspective view of a combined vacuum pump and control valves therefor showing my new design;

FIG. 2 is a left side elevational view thereof;

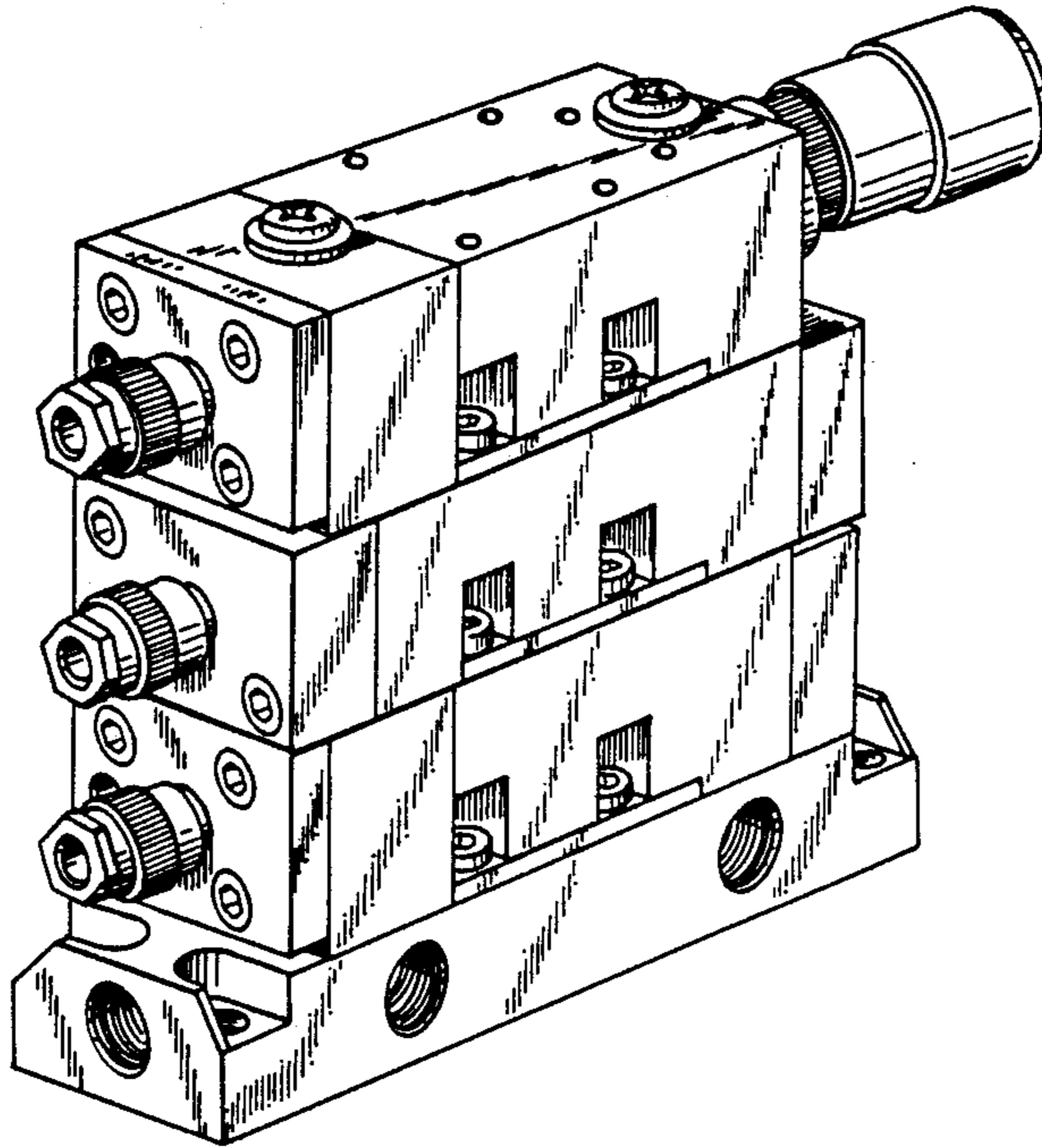
FIG. 3 is a right side elevational view thereof;

FIG. 4 is a top plan view thereof;

FIG. 5 is a bottom plan view thereof;

FIG. 6 is a rear elevational view thereof; and

FIG. 7 is a front elevational view thereof.



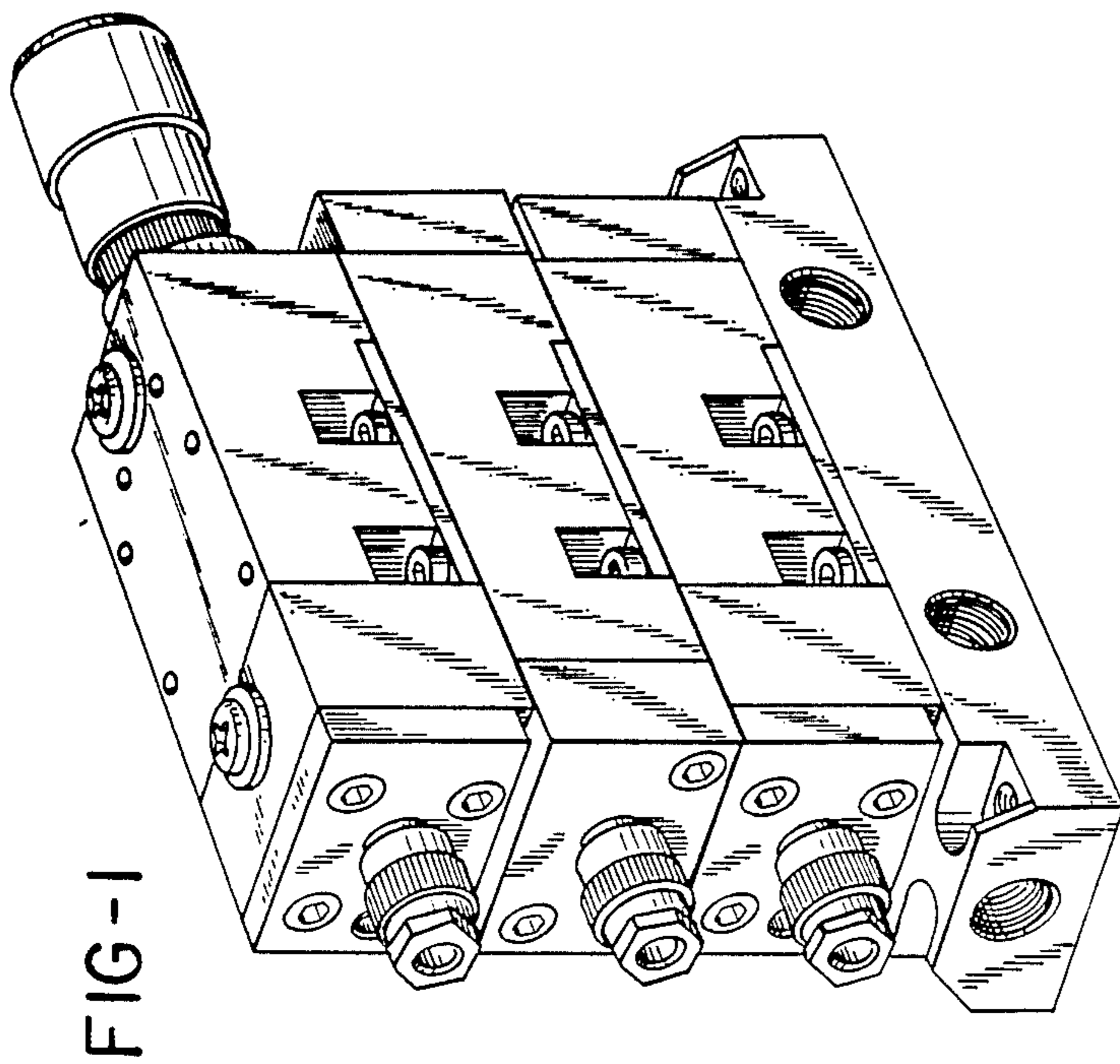
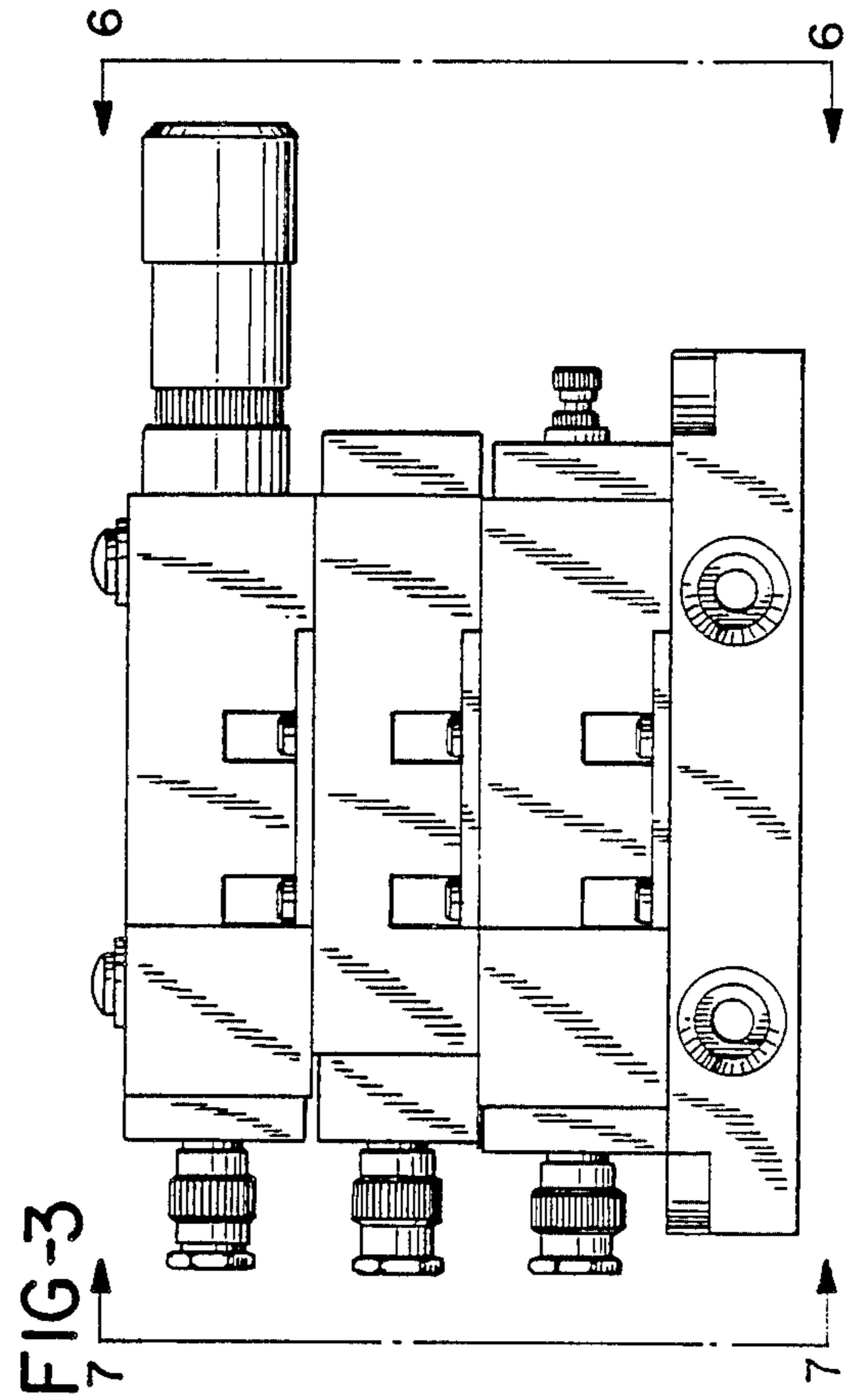
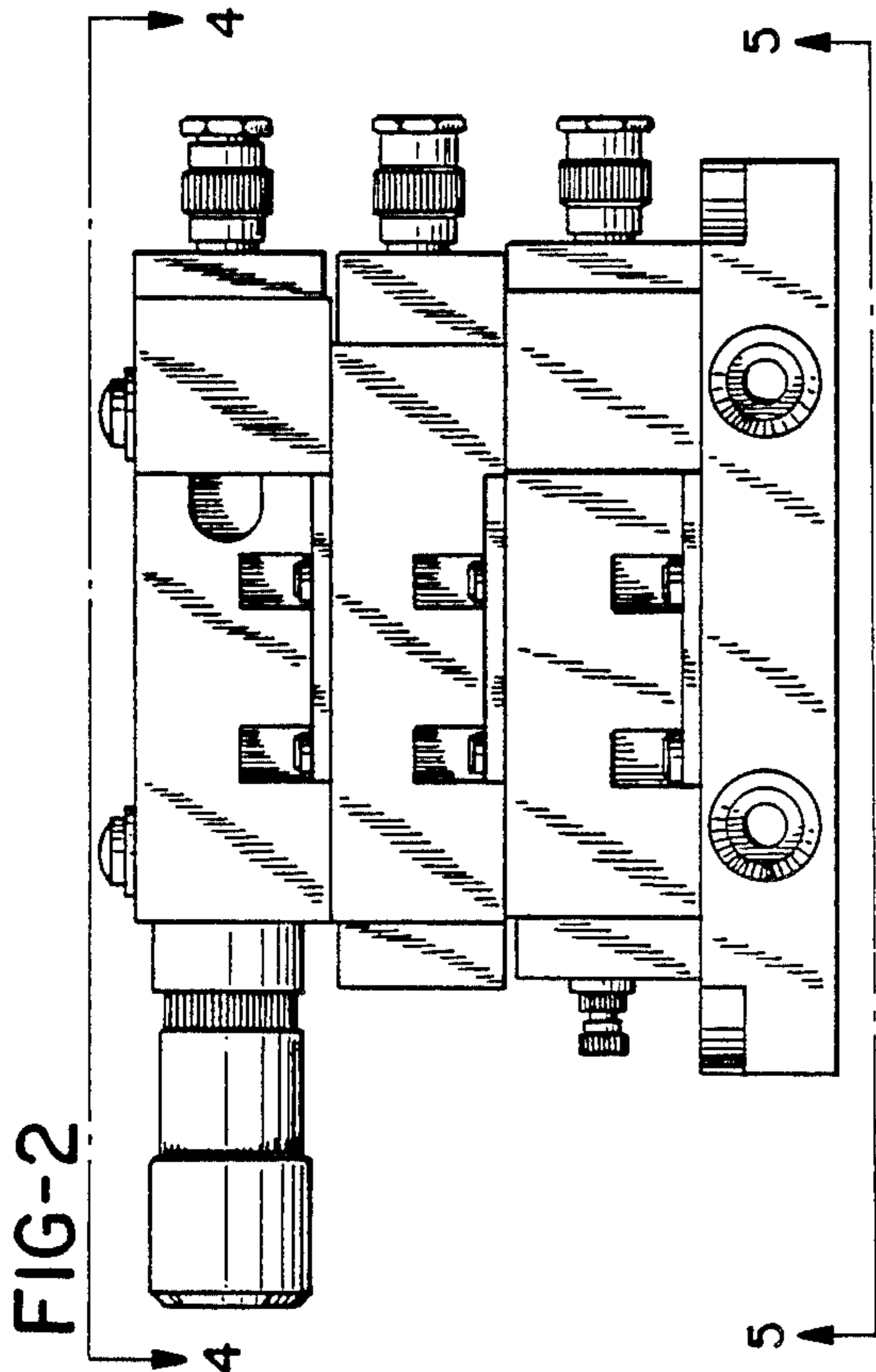


FIG-4

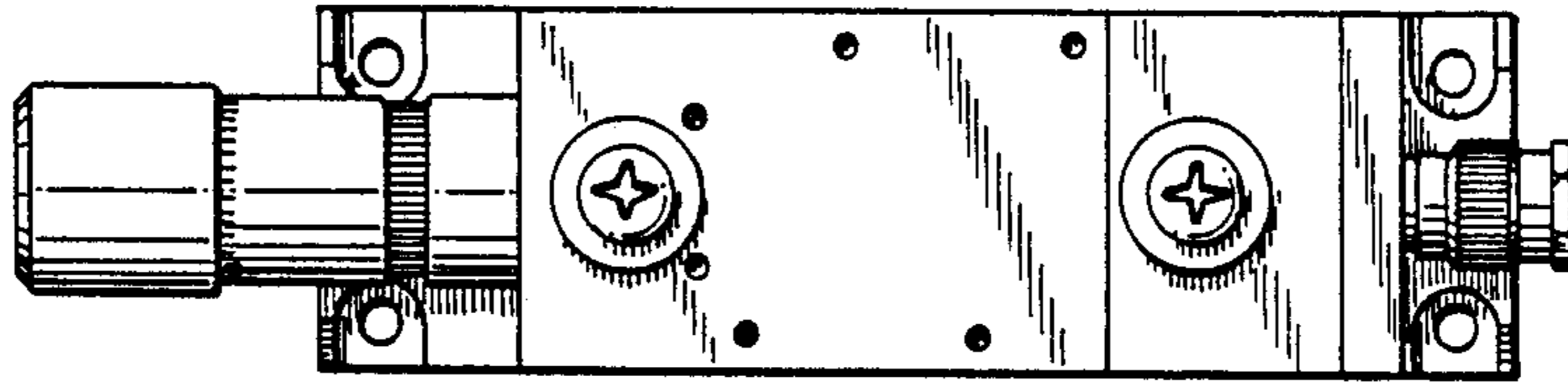


FIG-5

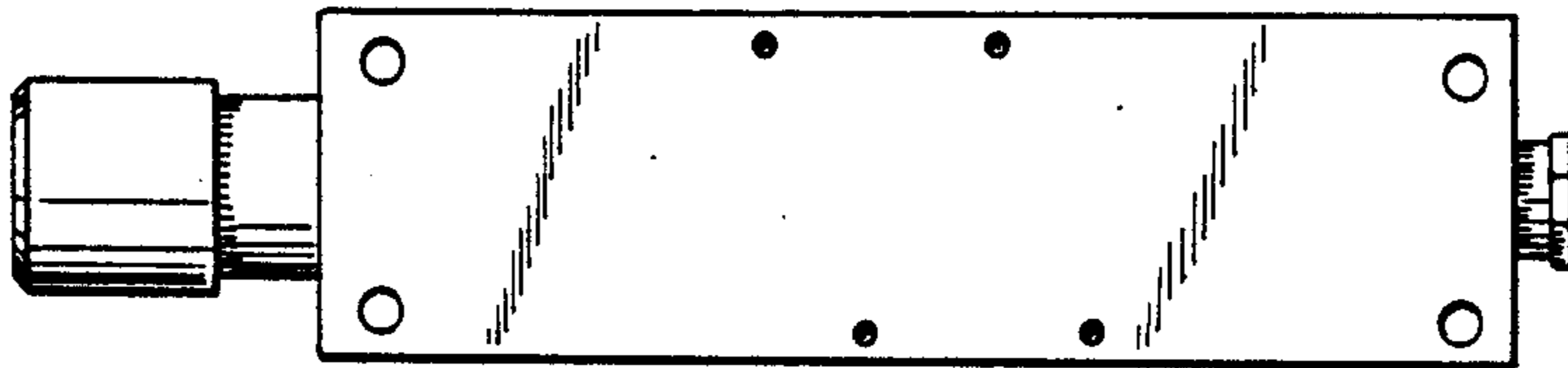


FIG-6

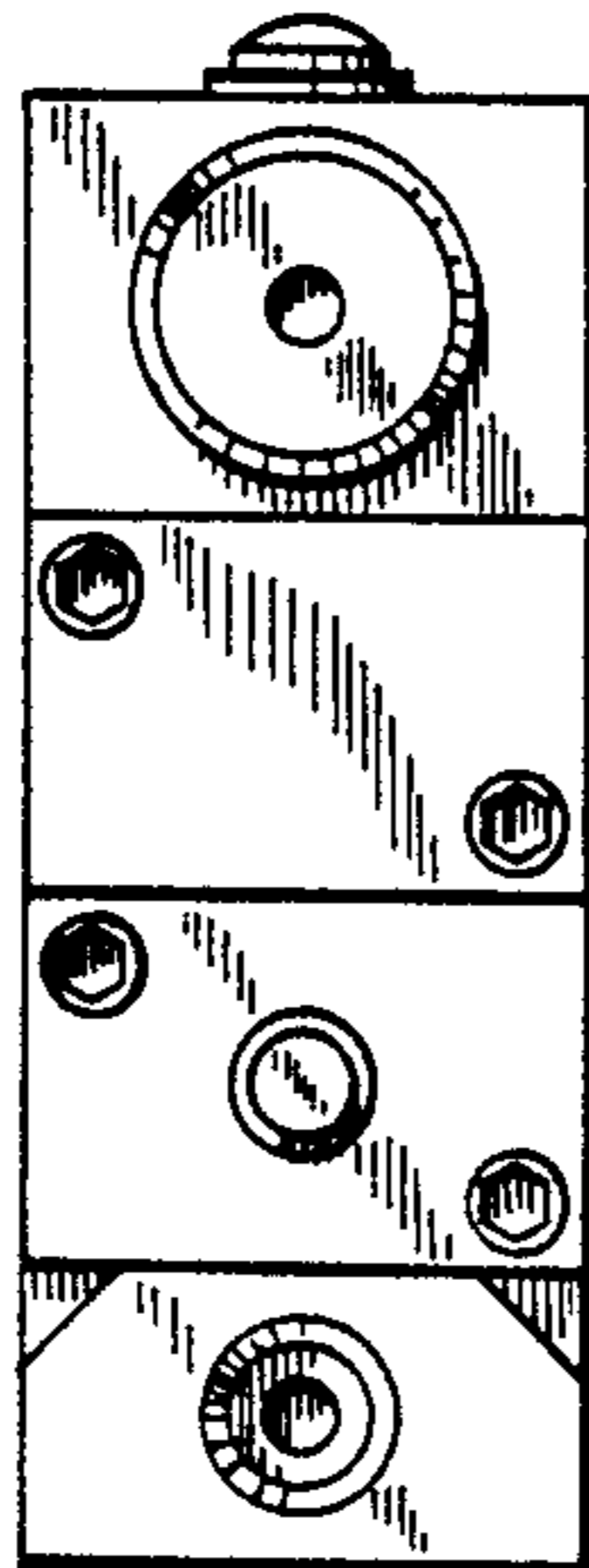


FIG-7

