

[54] DUAL IMPELLER RECIRCULATING PUMP

[76] Inventor: Carl Price, 17820 Twilight La., Encino, Calif. 91316

[**] Term: 14 Years

[21] Appl. No.: 889,894

[22] Filed: Jul. 28, 1986

[52] U.S. Cl. D15/7

[58] Field of Search D15/7-9; 415/60; 417/234, 410-411, 426, 321, 515

[56] References Cited

U.S. PATENT DOCUMENTS

D. 289,051 3/1987 Belletire D15/7
4,275,995 6/1981 Taylor 417/40

OTHER PUBLICATIONS

Fisher Scientific catalogue-1981, p. 1001, pump No. 13-874-85.

Cole-Parmer Instrument Co. catalogue-1983, p. 396, "Corrosion-Free Submersible Pump".

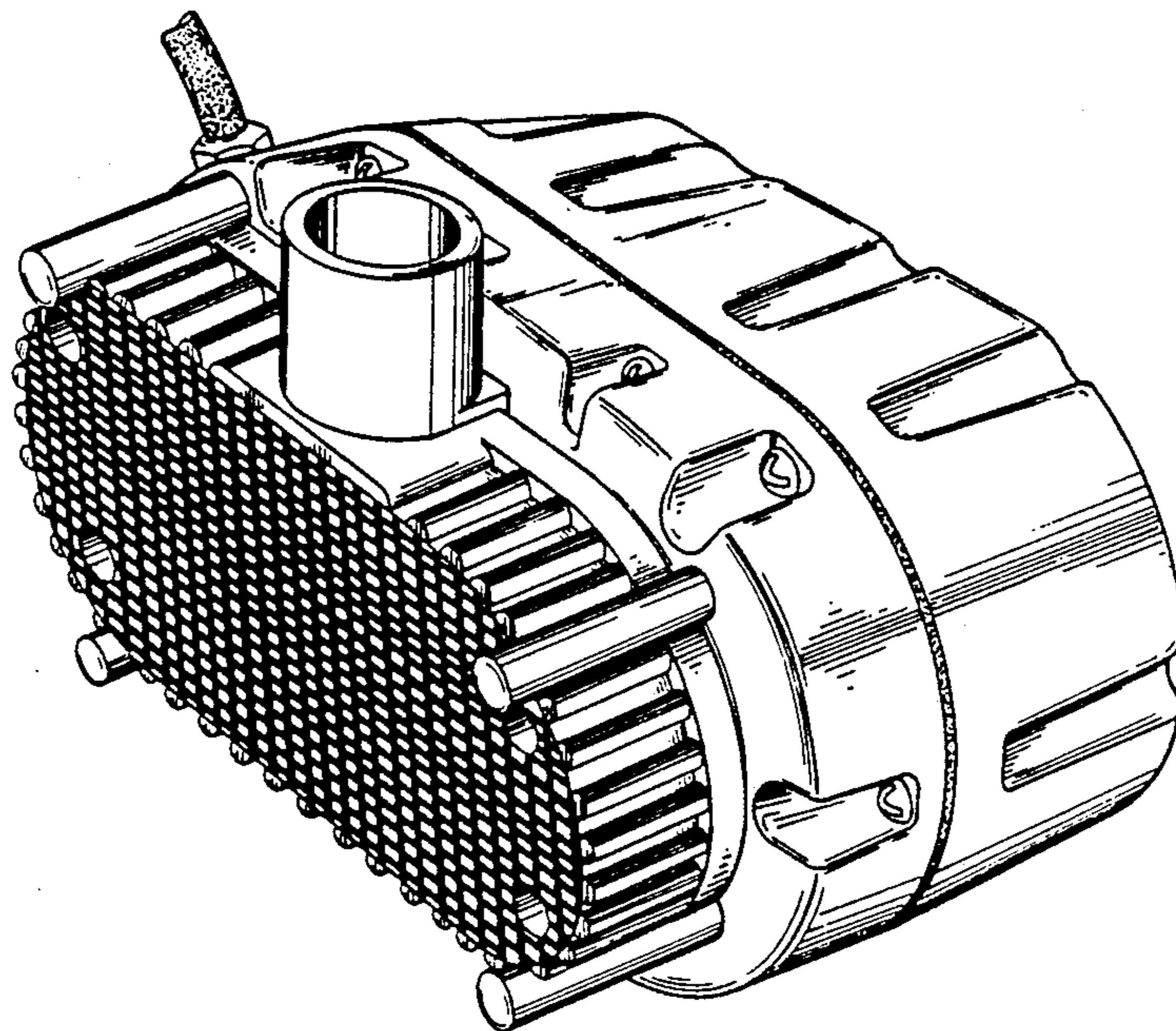
Primary Examiner—Susan J. Lucas
Assistant Examiner—Brian N. Vinson
Attorney, Agent, or Firm—Gerald L. Price

[57] CLAIM

The ornamental design for a dual impeller recirculating pump, as shown and described.

DESCRIPTION

FIG. 1 is a bottom, front and right side perspective view of a recirculating pump showing my new design; FIG. 2 is an inverted front elevational view thereof; FIG. 3 is a rear elevational view thereof; FIG. 4 is a bottom plan view thereof; FIG. 5 is a top plan view thereof; FIG. 6 is a right side elevational view thereof, shown rotated 90 degrees; and FIG. 7 is a left side elevational view thereof shown rotated 90 degrees.



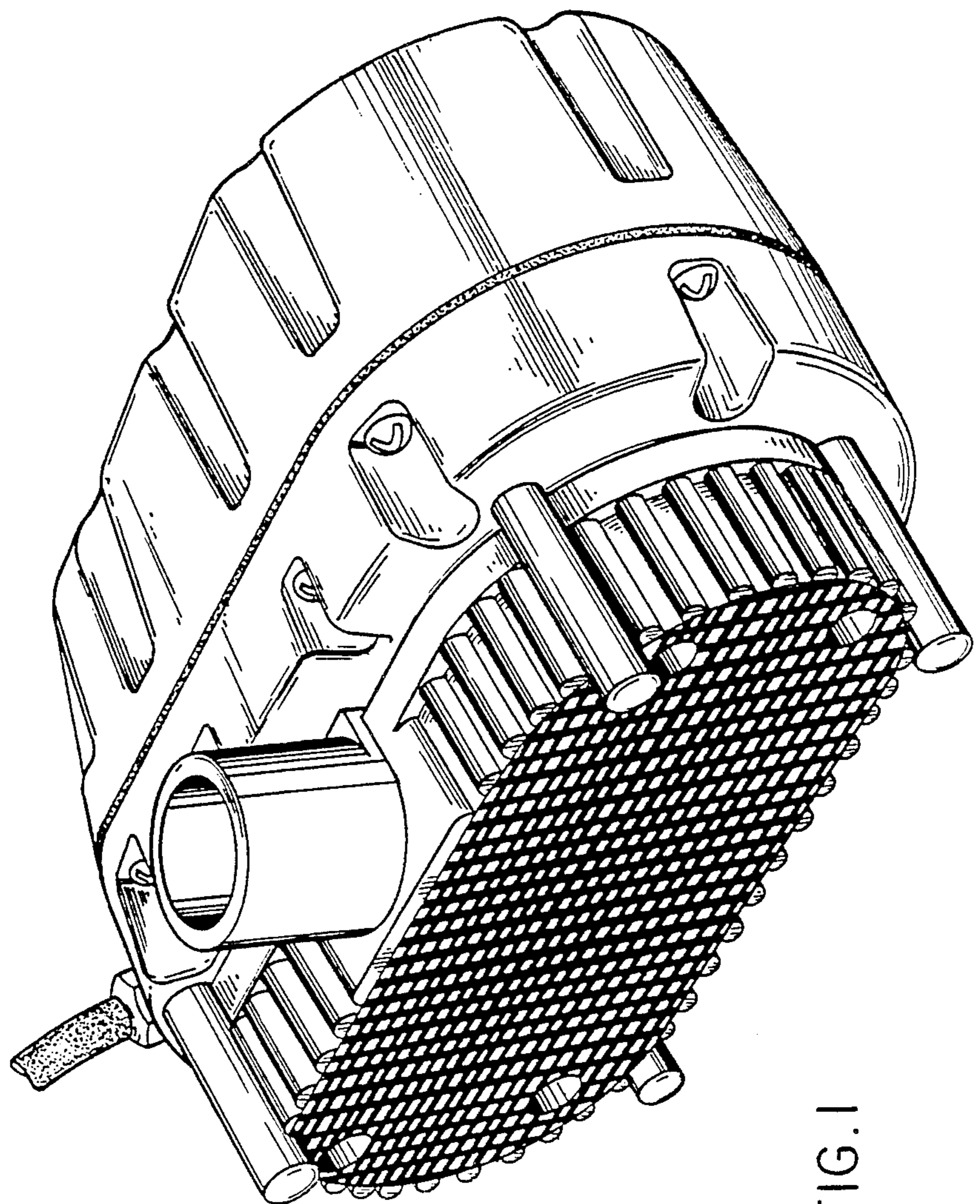


FIG. 1

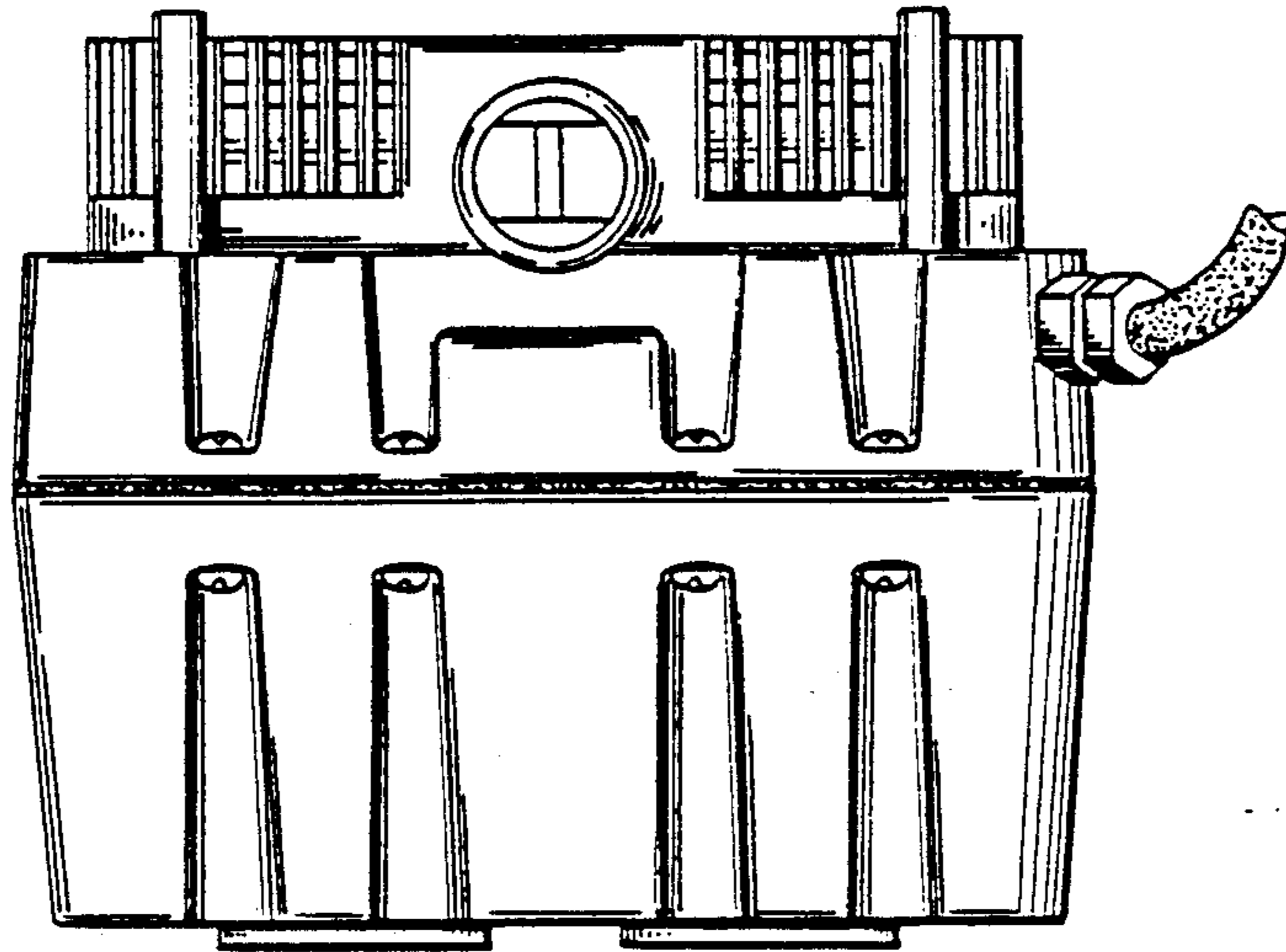


FIG. 2

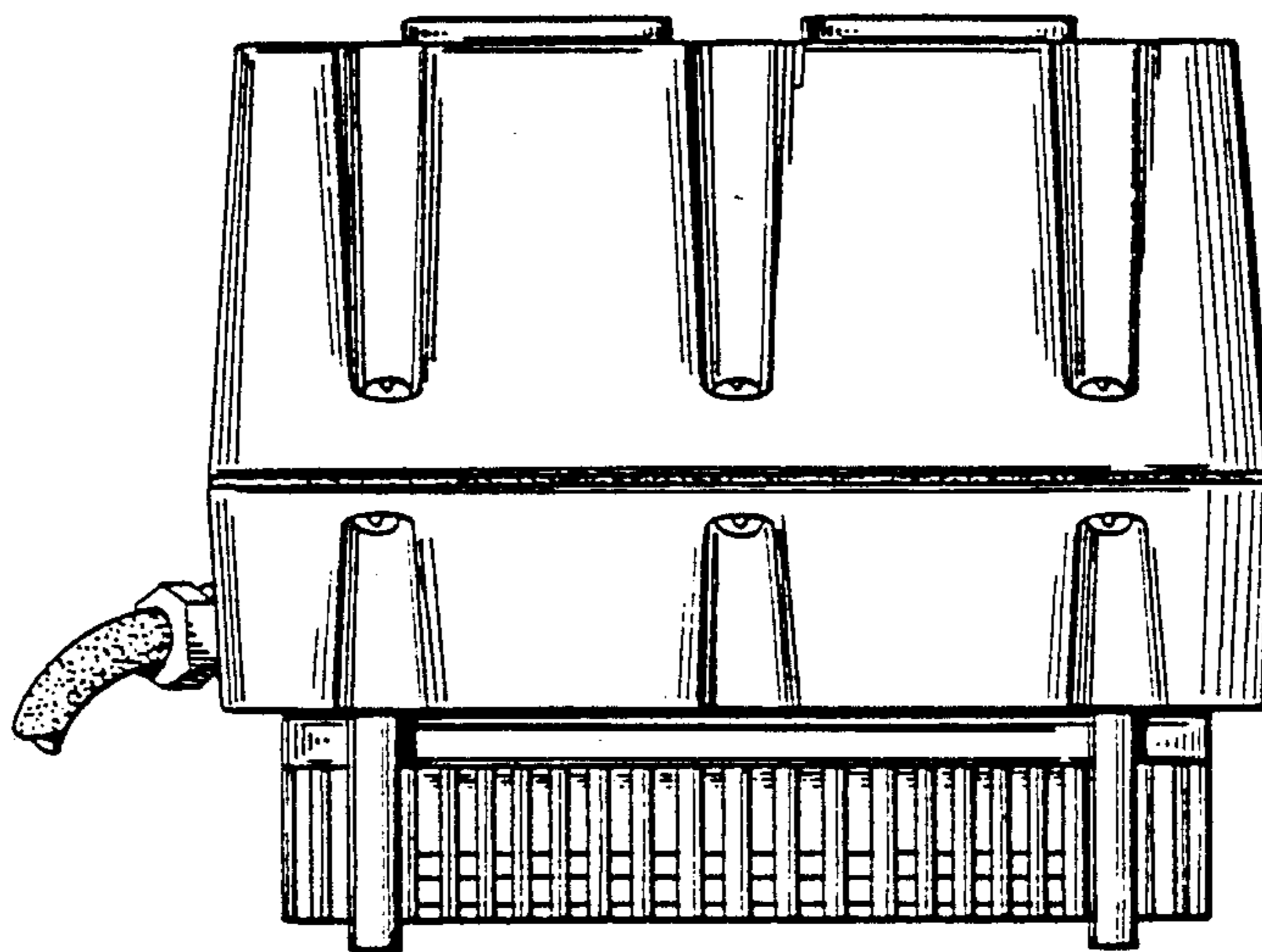


FIG. 3

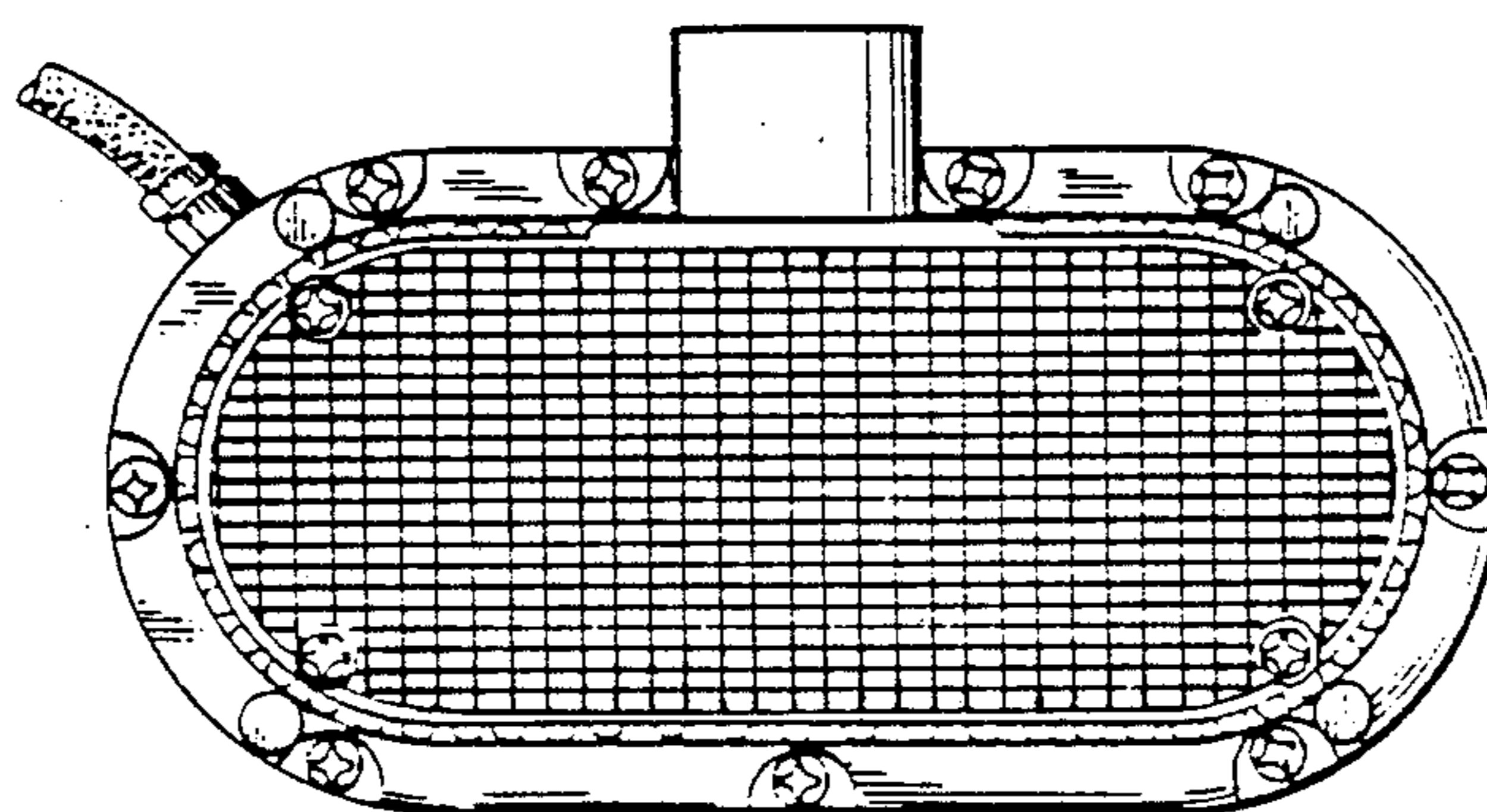


FIG. 4

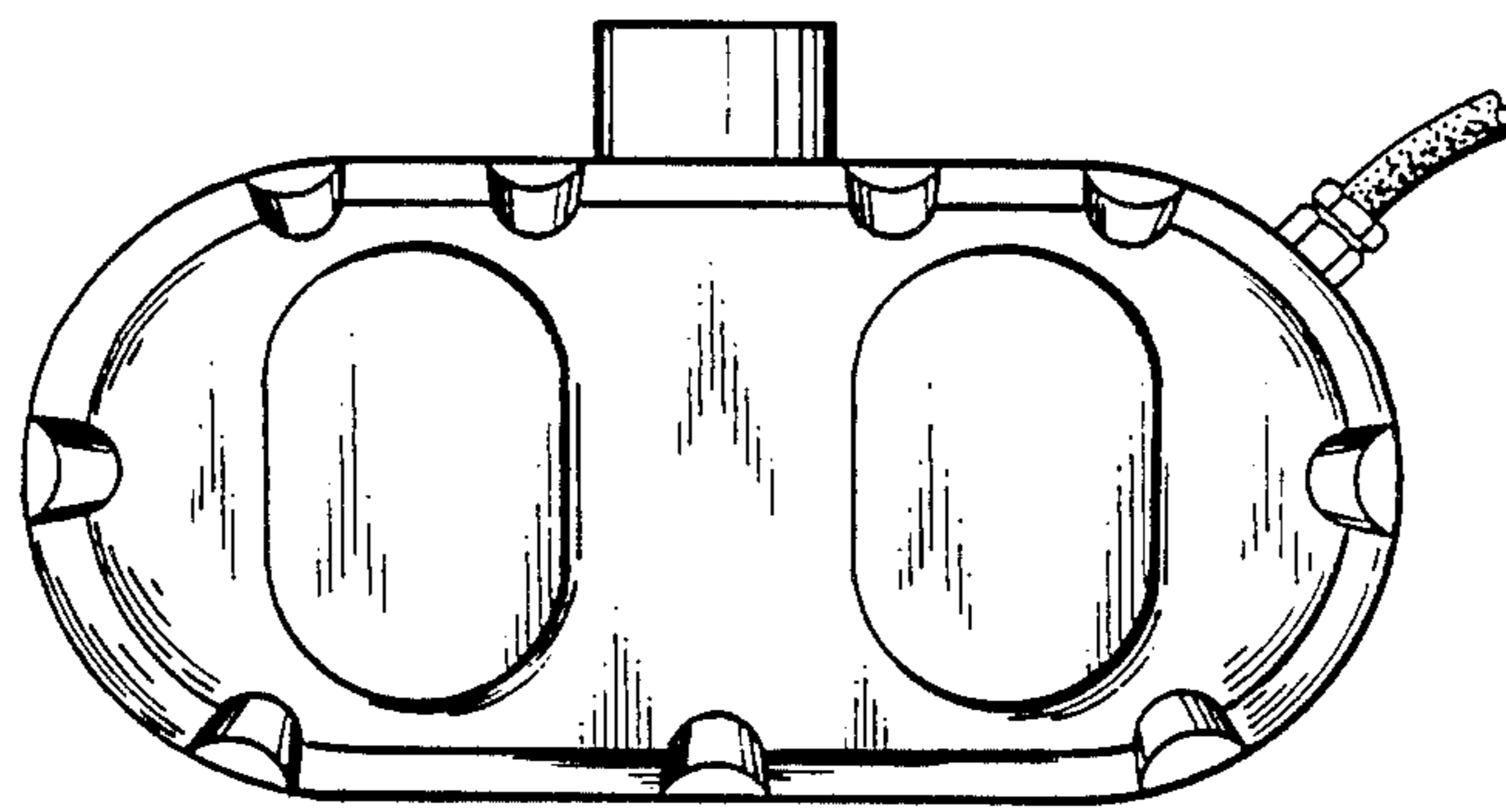


FIG. 5

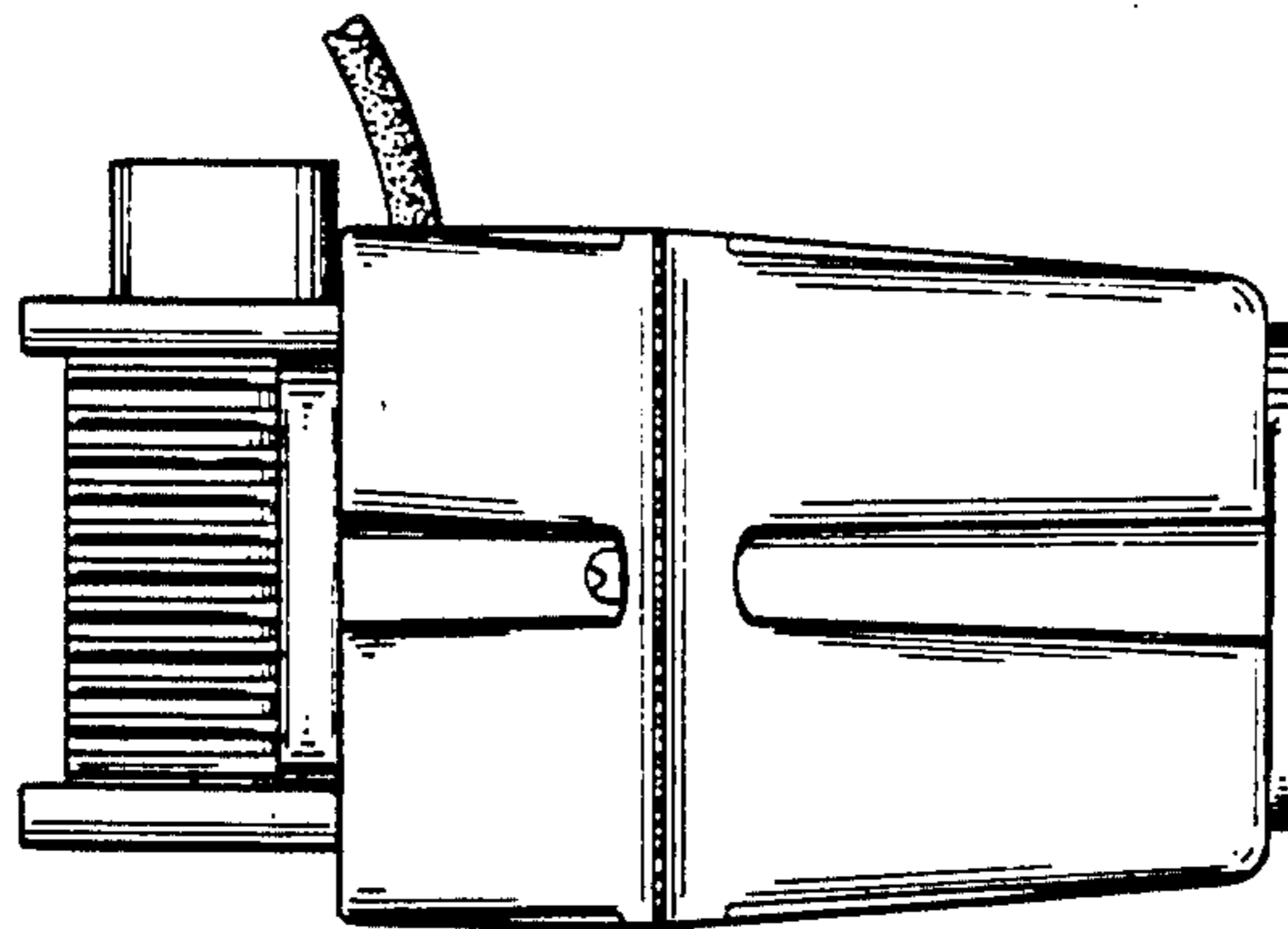


FIG. 6

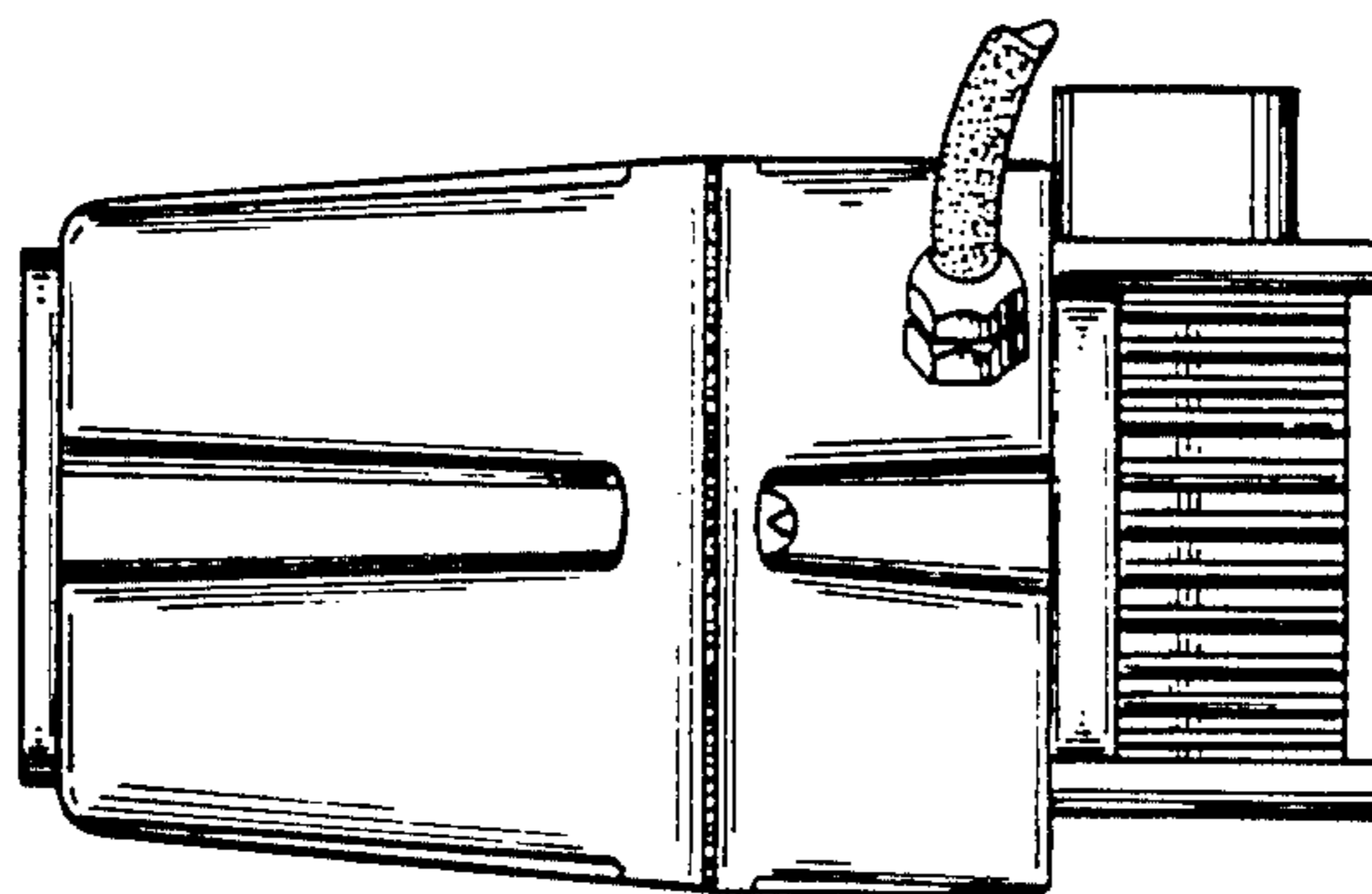


FIG. 7