

[54] PUMP ASSEMBLY FOR SUPPLYING AIR TO A RESPIRATOR, OR THE LIKE

[75] Inventor: Raymond Odell, London, Great Britain

[73] Assignee: Racal Safety Limited, Wembley, England

[**] Term: 14 Years

[21] Appl. No.: 768,794

[22] Filed: Aug. 23, 1985

[30] Foreign Application Priority Data

Feb. 25, 1985 [GB] United Kingdom 851025235

[52] U.S. Cl. D15/7; D29/7

[58] Field of Search D15/7, 9; 415/203, 219 B, 415/219 R, 219 C, 206, 207; 417/321, 234, 410, 424; 128/204.18, 204.21, 204.25, 204.28, 205.12, 205.13, 205.18

[56] References Cited

U.S. PATENT DOCUMENTS

D. 45,026 12/1913 Sparks D15/7
D. 221,258 7/1971 Saddler D15/7

D. 243,281 2/1977 Pareja D15/7
D. 263,839 4/1982 Somme D15/7
3,208,449 9/1965 Bartlett, Jr. 128/205.12 X
4,328,798 5/1982 Isaacson 128/204.18 X
4,502,480 3/1985 Yamamoto 128/205.12 X
4,641,646 2/1987 Schultz et al. 128/204.18 X

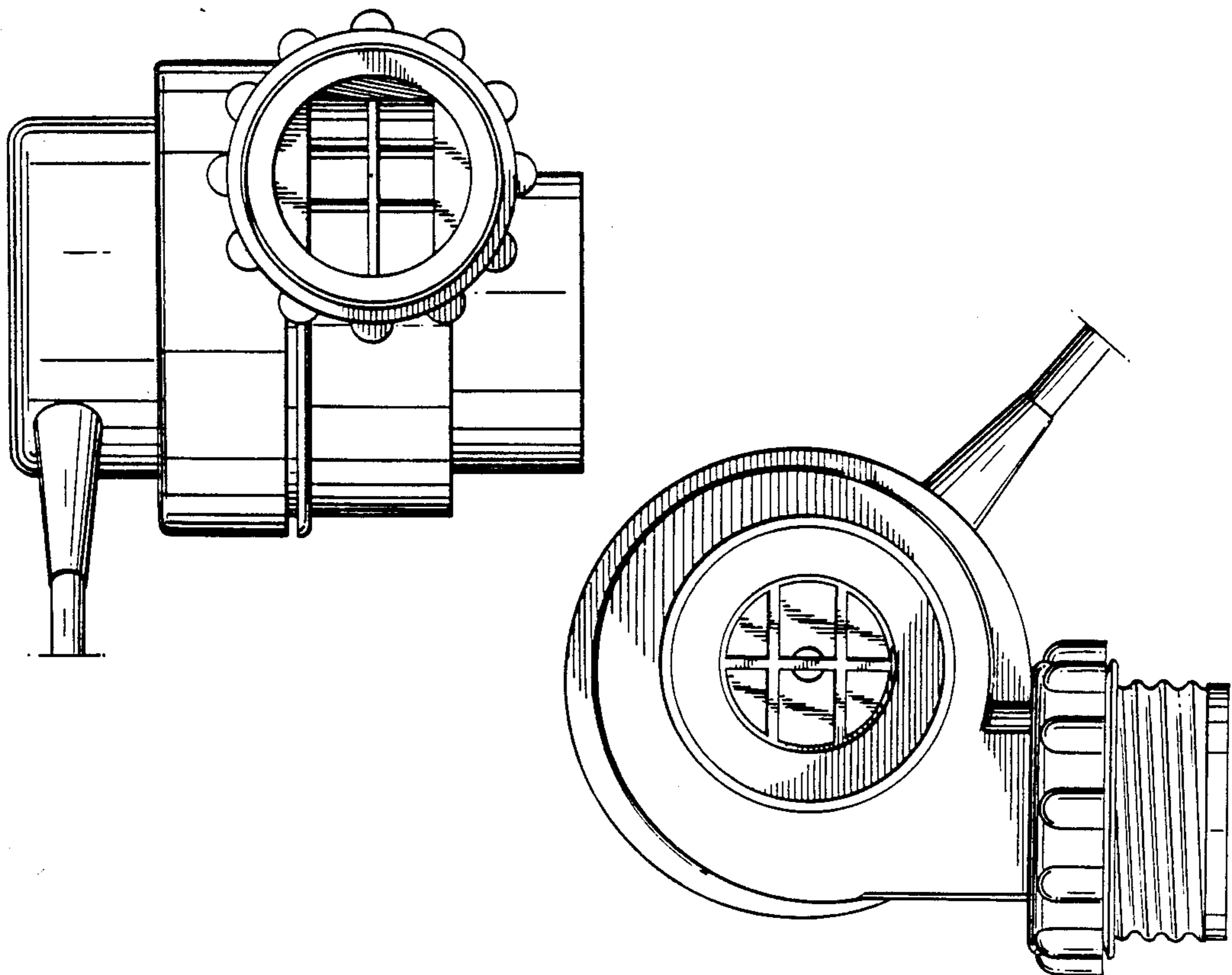
Primary Examiner—B. J. Bullock
Assistant Examiner—Brian N. Vinson
Attorney, Agent, or Firm—Scrivener and Clarke

[57] CLAIM

The ornamental design for a pump assembly for supplying air to a respirator, or the like, as shown and described.

DESCRIPTION

FIG. 1 is a front elevational view of a pump assembly for supplying air to a respirator, or the like, showing my new design;
FIG. 2 is a rear elevational view thereof;
FIG. 3 is a top plan view thereof;
FIG. 4 is a bottom plan view thereof;
FIG. 5 is a right side elevational view thereof; and
FIG. 6 is a left side elevational view thereof. The power-supply cord being shown broken-away to indicate indeterminate length.



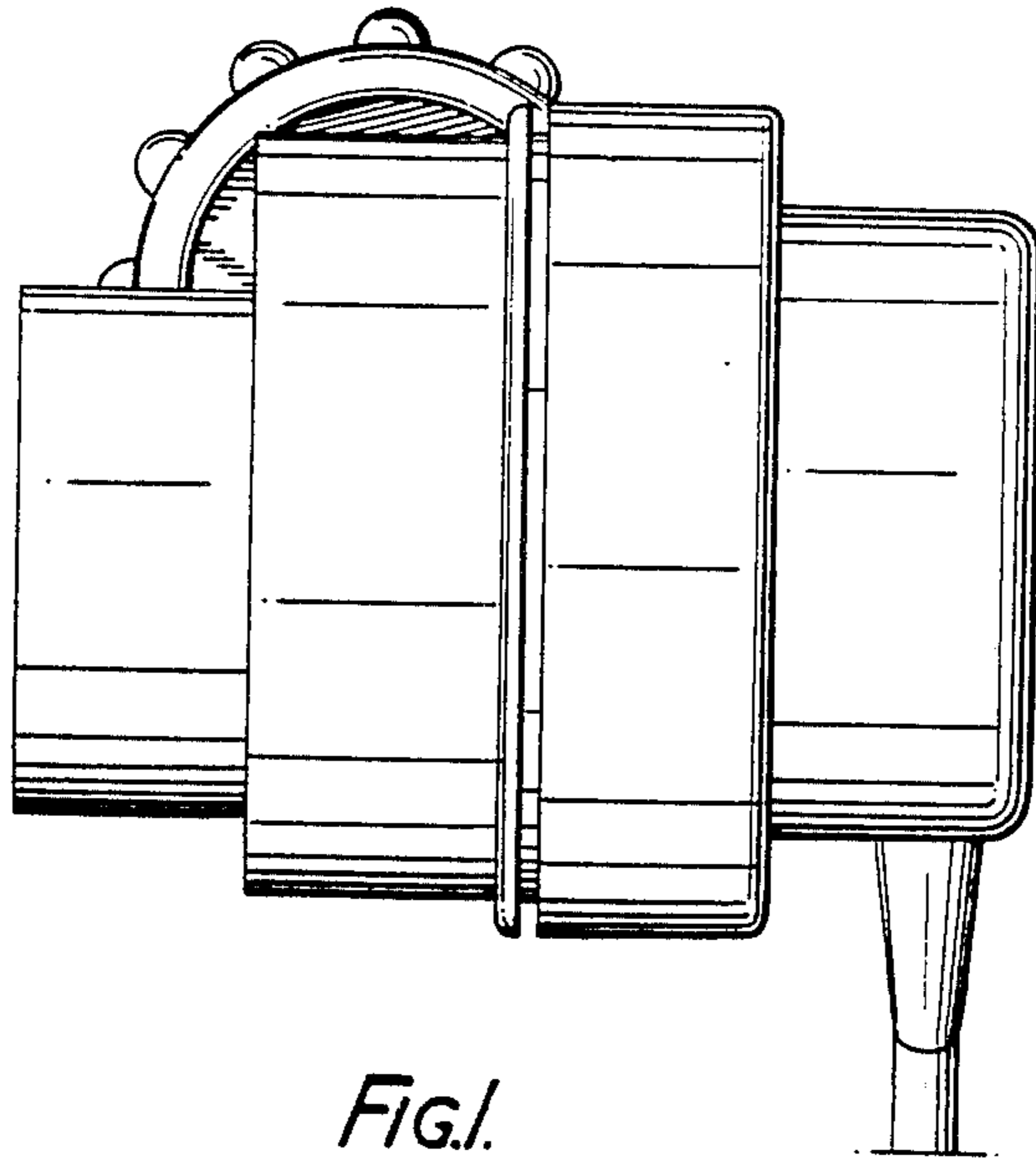


FIG. 1.

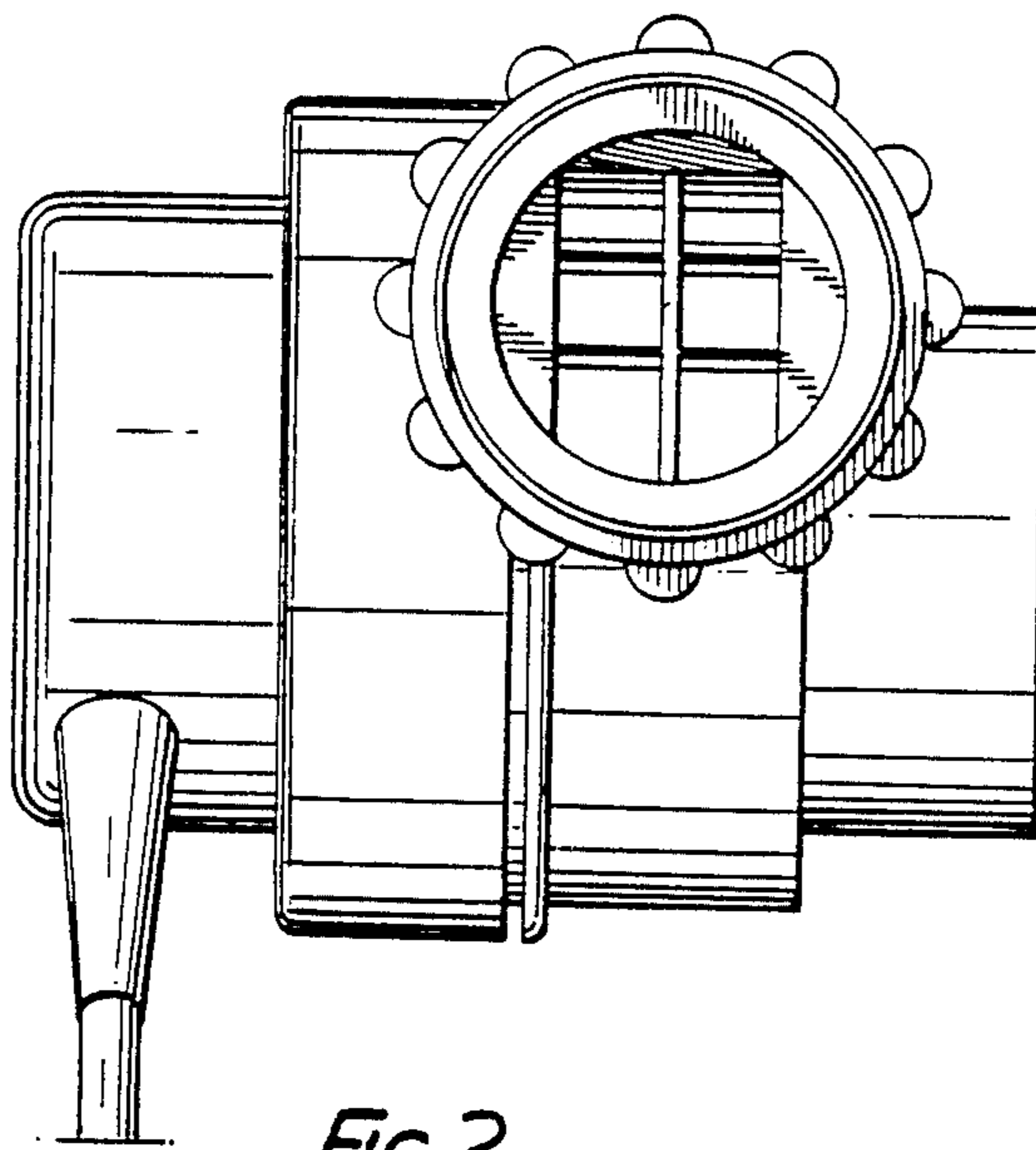


FIG. 2.

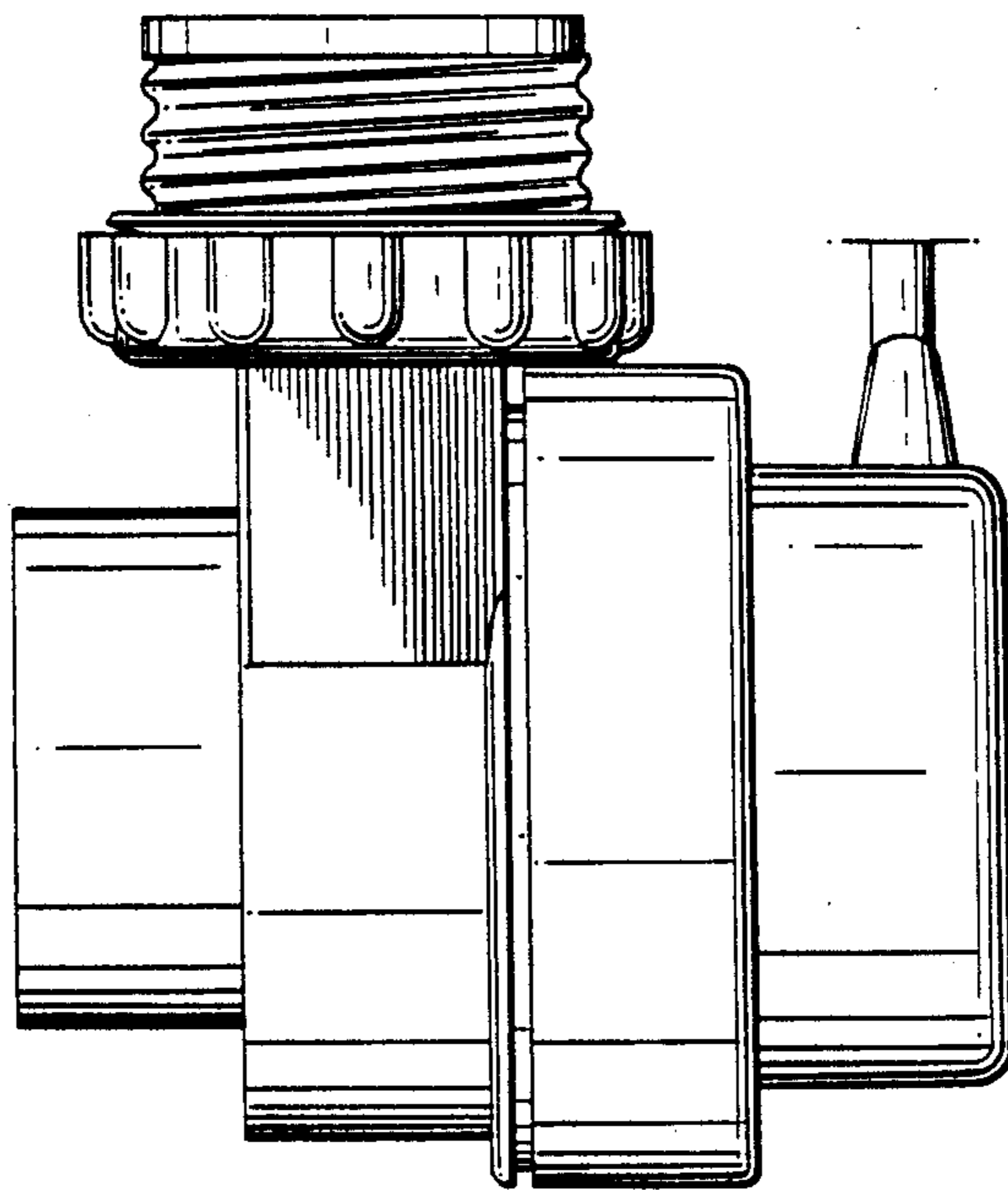


FIG. 3.

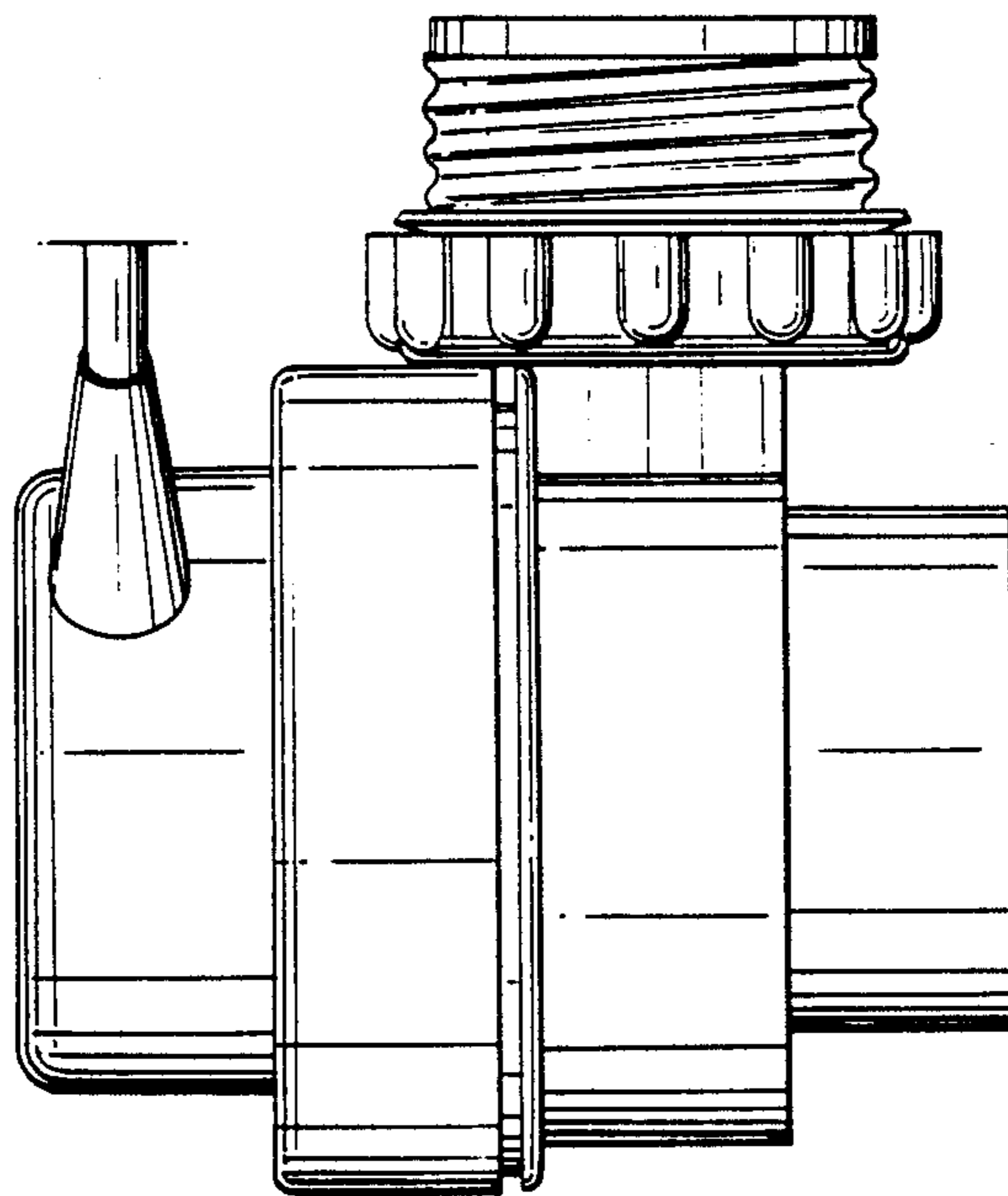


FIG. 4.

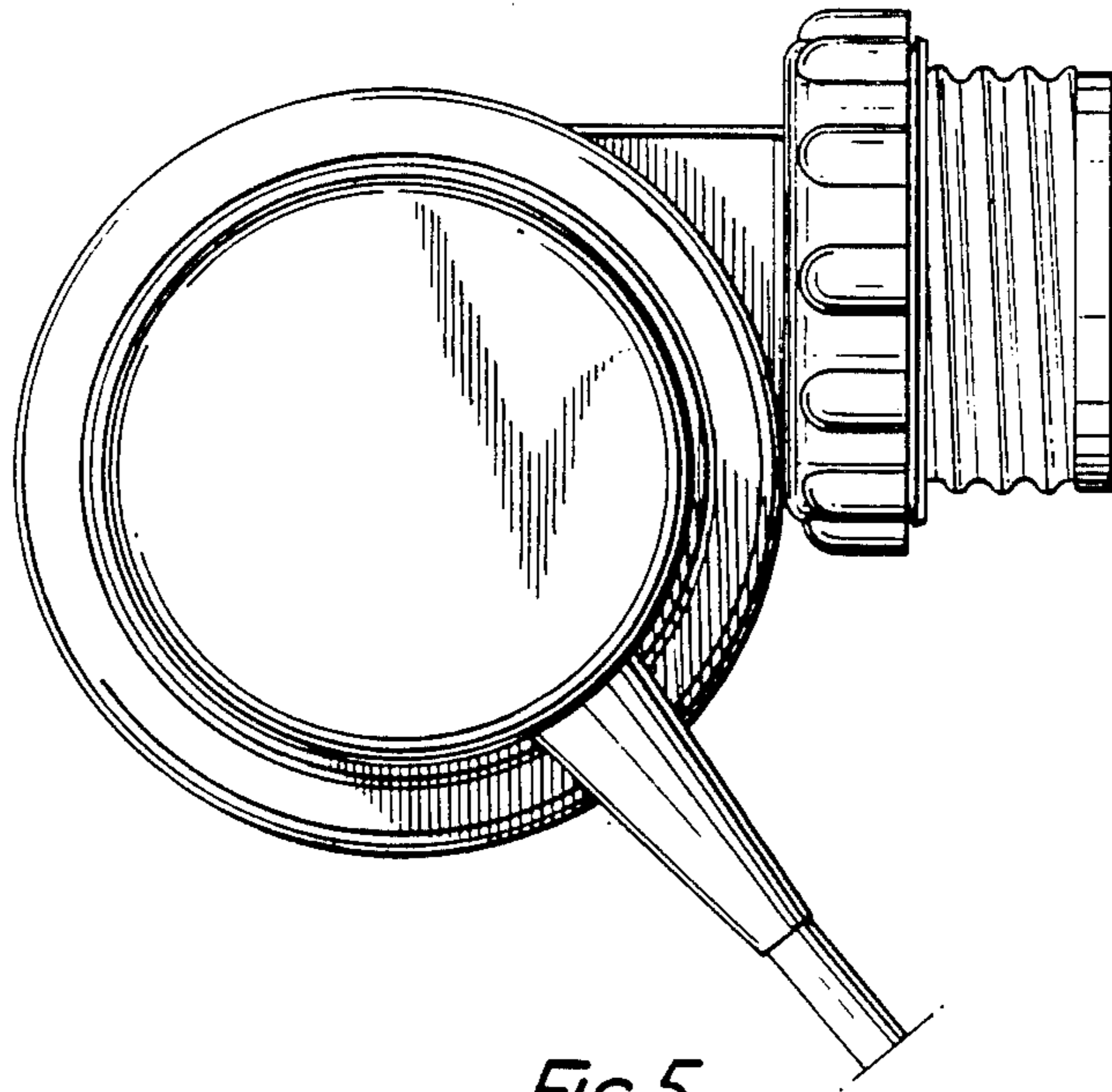


FIG. 5.

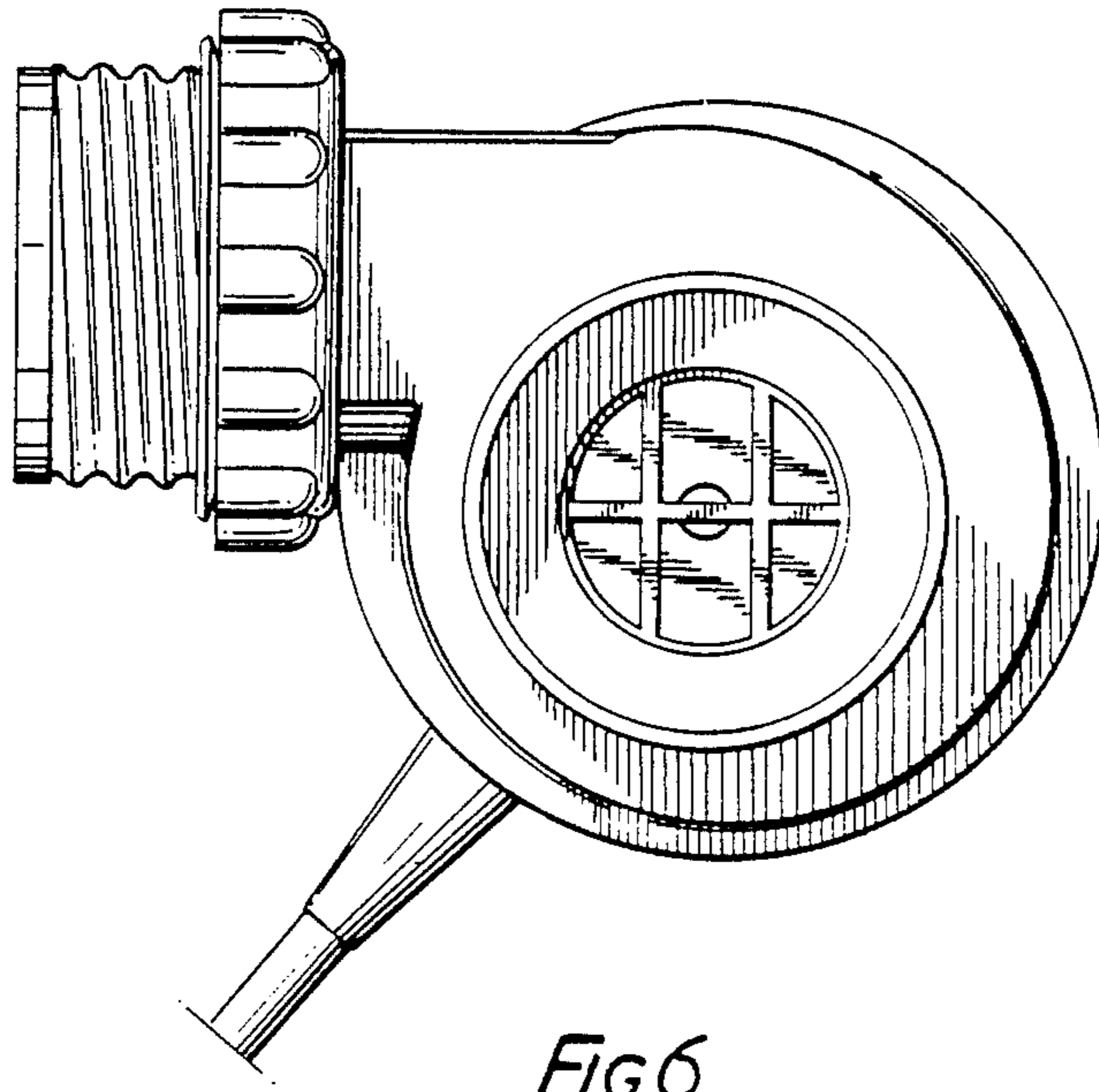


FIG. 6.