

[54] UNITARY HOUSING BASE FOR A HANDSET TELEPHONE, RADIO AND A ROTATABLE VERTICAL DISPLAY UNIT CLOCK

[75] Inventors: Ting W. Wong, Oceanport, N.J.; Barry M. Haber, Westport, Conn.; James M. Rittenhouse, Watchung, N.J.

[73] Assignee: Conair Corporation, Edison, N.J.

[\*\*] Term: 14 Years

[21] Appl. No.: 895,960

[22] Filed: Aug. 13, 1986

[52] U.S. Cl. .... D14/60; D14/73; D14/59

[58] Field of Search ..... D14/52, 106, 53, 54, D14/59, 60, 73, 72, 75; 379/419, 110, 420, 428, 422, 434, 435, 436, 440; D21/111; D18/4

[56] References Cited

U.S. PATENT DOCUMENTS

D. 230,193	1/1974	Sugihara et al. ....	D14/72
D. 261,512	10/1981	Kolwaite .....	D14/73
D. 268,758	4/1983	Boldt et al. ....	D14/73 X
D. 269,441	6/1983	Matsuda et al. ....	D18/4
D. 278,812	5/1985	Topp .....	D14/53 X
D. 279,099	9/1985	Baum .....	D14/60 X
D. 280,402	9/1985	Brown .....	D14/53 X
D. 286,286	10/1986	Skigen et al. ....	D14/60 X
D. 286,788	11/1986	Koppens .....	D18/4
D. 287,011	12/1986	Kaku .....	D14/58 X
D. 289,897	5/1987	Felix et al. ....	D14/60

OTHER PUBLICATIONS

Montgomery Ward, 1985 spring/summer catalog: pp.

50 & 41-Electronics: "Unisonic", Model 67A24561-A; Soundesign: AT&T Touch-A-Matic 1015; Soundesign: Wall Mount 67-A-24675-A.

Sears Wish Book 1985 E/C p. 624: Magnavox telephone/clock/radio item "C".

Best 1984-85 catalog, p. 299, GE T/C/R model 74700, item C; also "Unisonic" Mickey Mouse T/C/R model 6052 & others, & Ken-Tech T/C/R, model RP-2750; Cobra T/C/R cordless model RP7405, item 2.

Spiegel's Spring 1985 catalog, ©1984: Lloyd's item F at p. 509 T/C/R, model N53100884T, plus Lloyd's item G, p. 509, speakerphone T/C/R.

FIG. 2 is a front elevational view thereof;

Primary Examiner—James M. Gandy

Assistant Examiner—Horace B. Fay, Jr.

Attorney, Agent, or Firm—Haynes N. Johnson

[57] CLAIM

The ornamental design for a unitary housing base for a handset telephone, radio and a rotatable vertical display unit clock, substantially as shown and described.

DESCRIPTION

FIG. 1 is a top plan view of a unitary housing base for a telephone, radio and a rotatable vertical display unit clock;

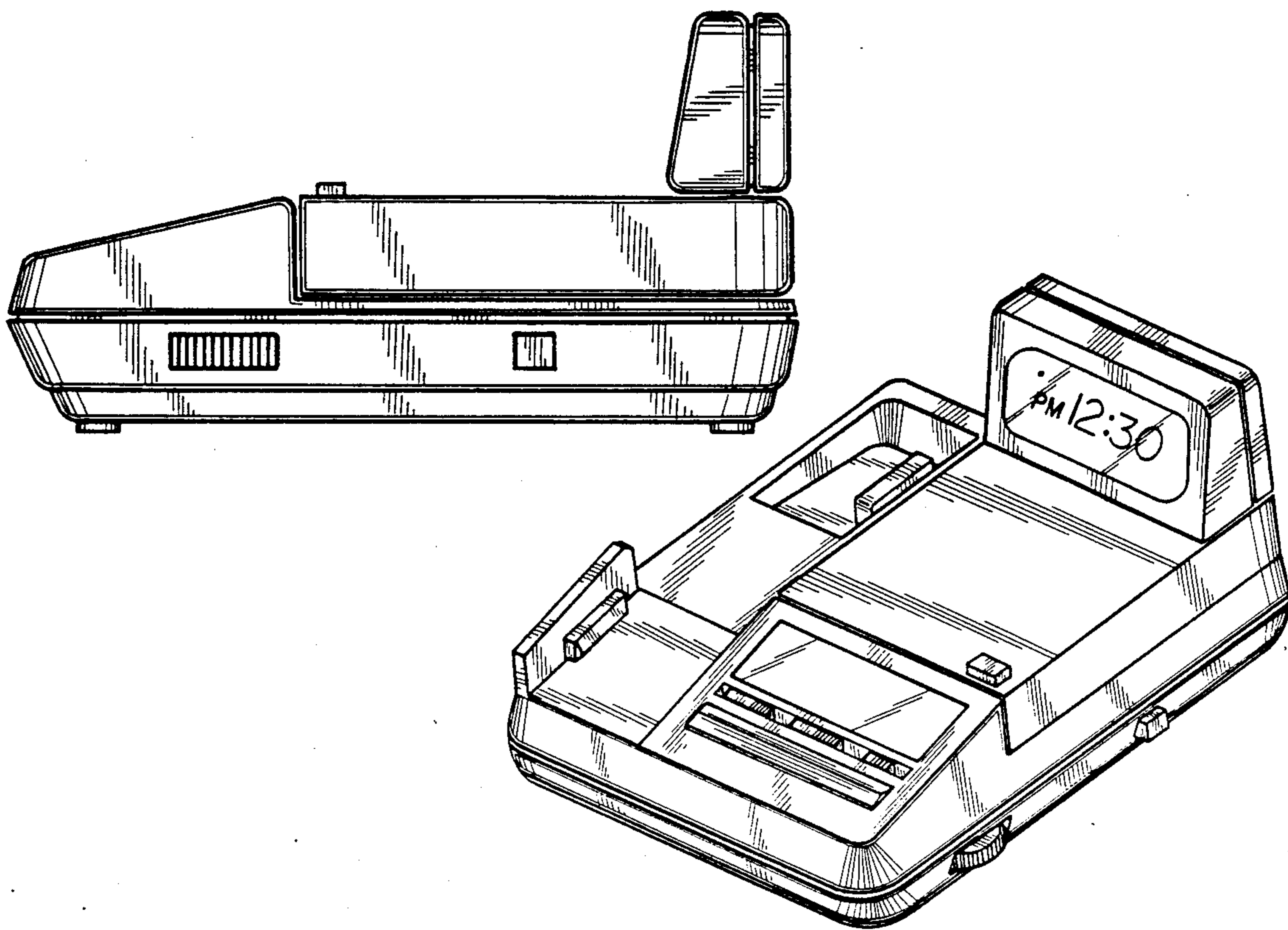
FIG. 3 is a bottom plan view thereof;

FIG. 4 is a rear elevational view thereof;

FIGS. 5 and 6 are respectively right and left side elevational views thereof;

FIG. 7 is a front, top and right side perspective view thereof; and,

FIG. 8 is a front, top and left side perspective view thereof, showing the rotatable clock unit in a clockwise rotated position.



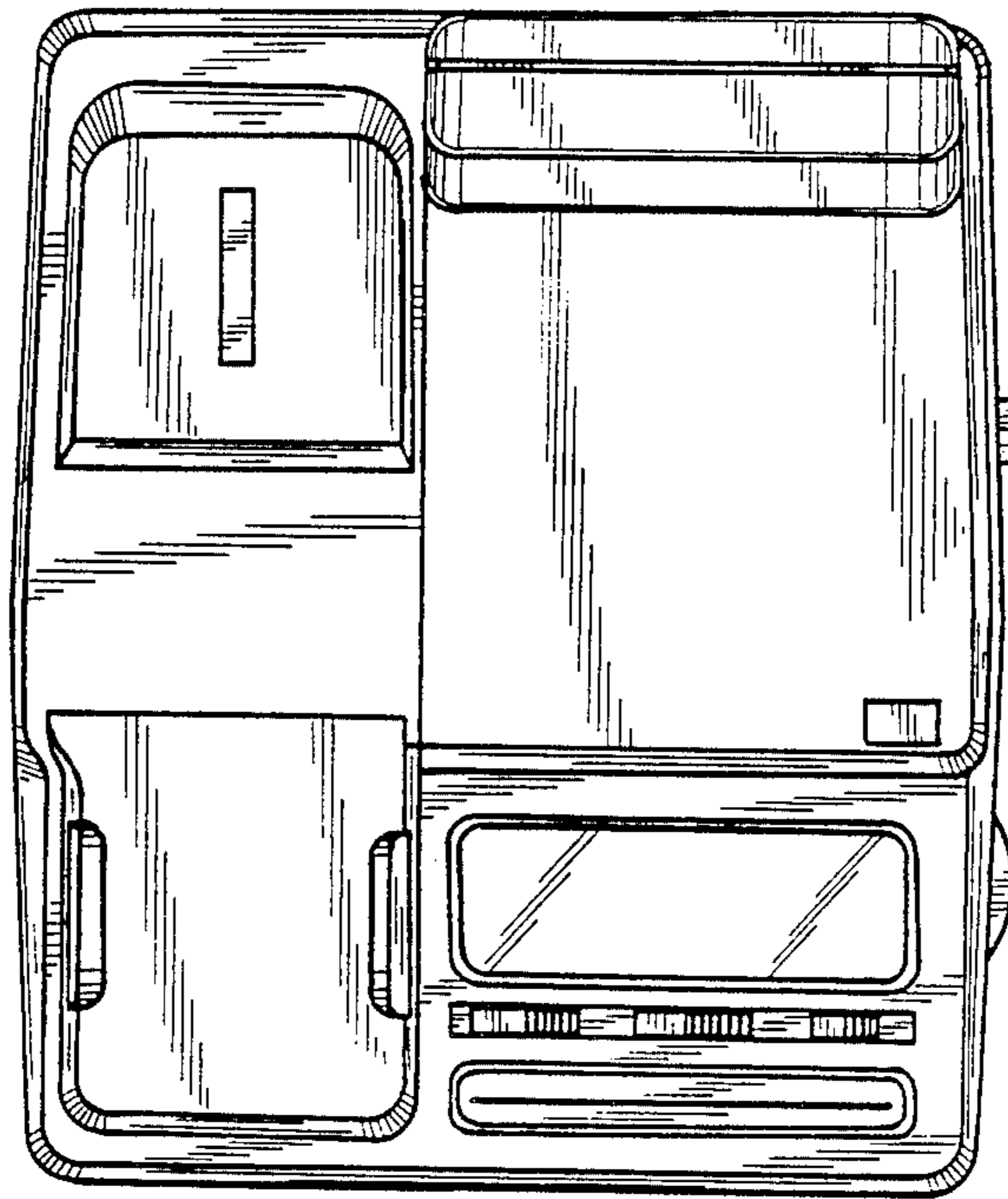


FIG. 1

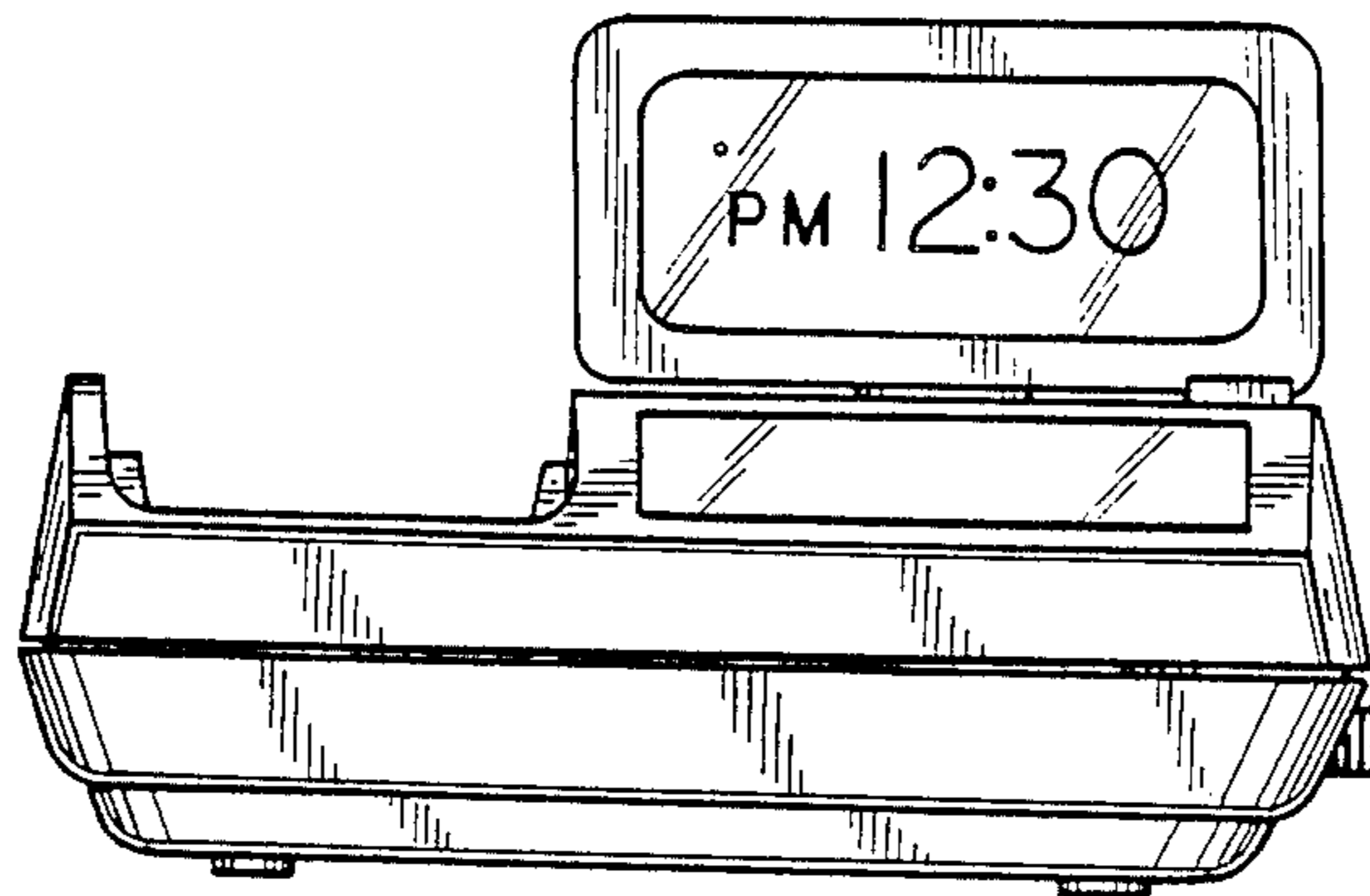


FIG. 2

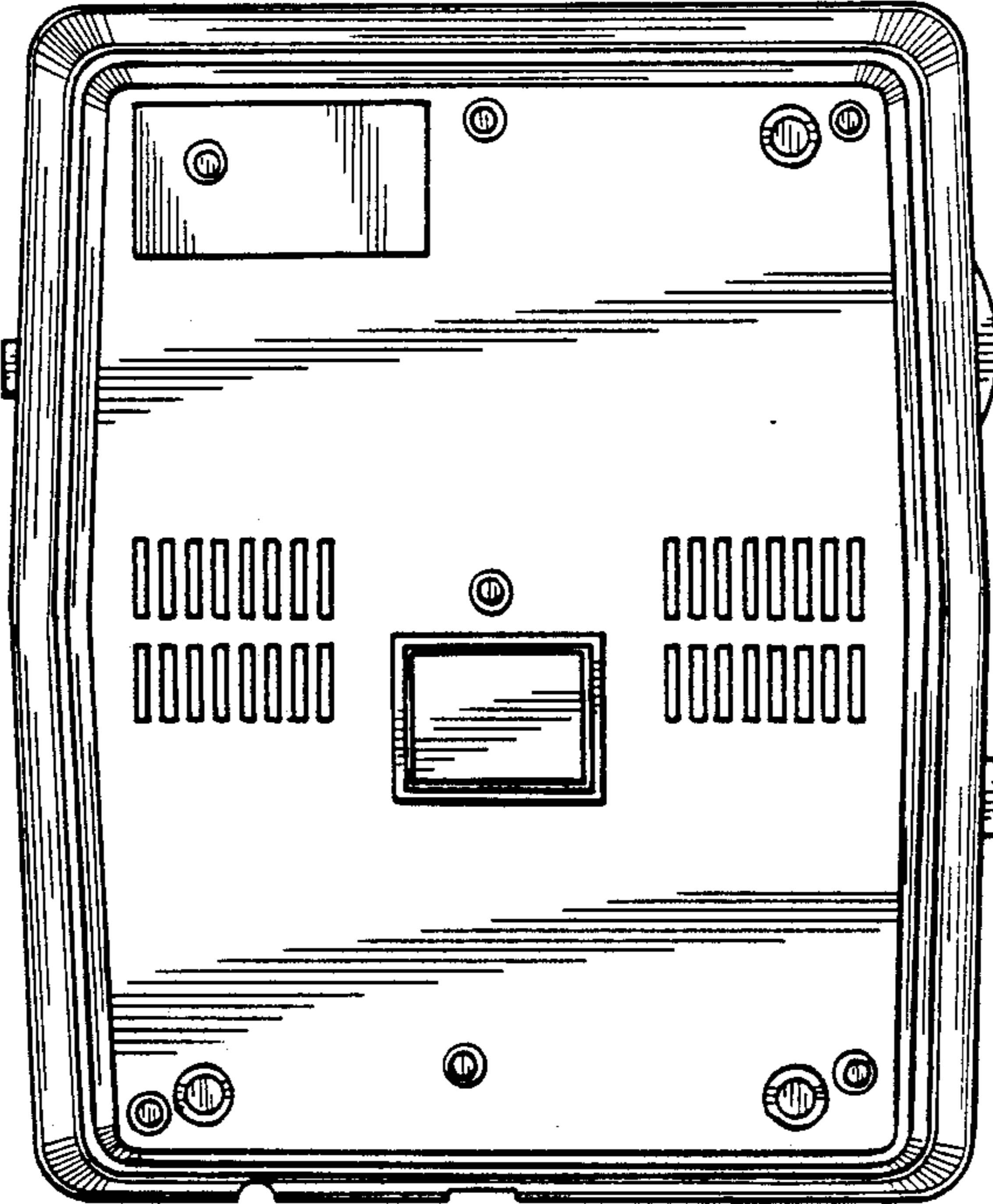


FIG. 3

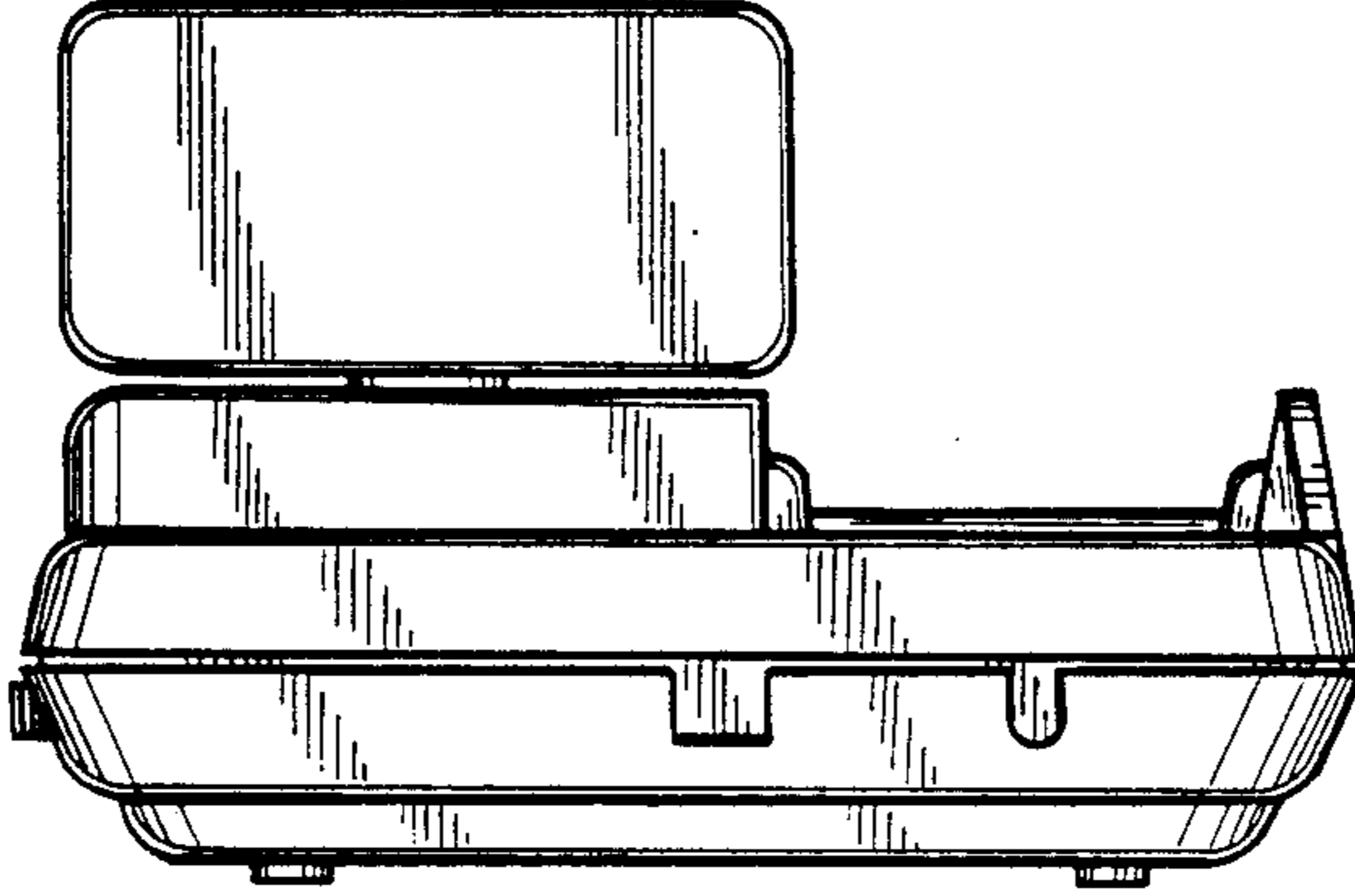


FIG. 4

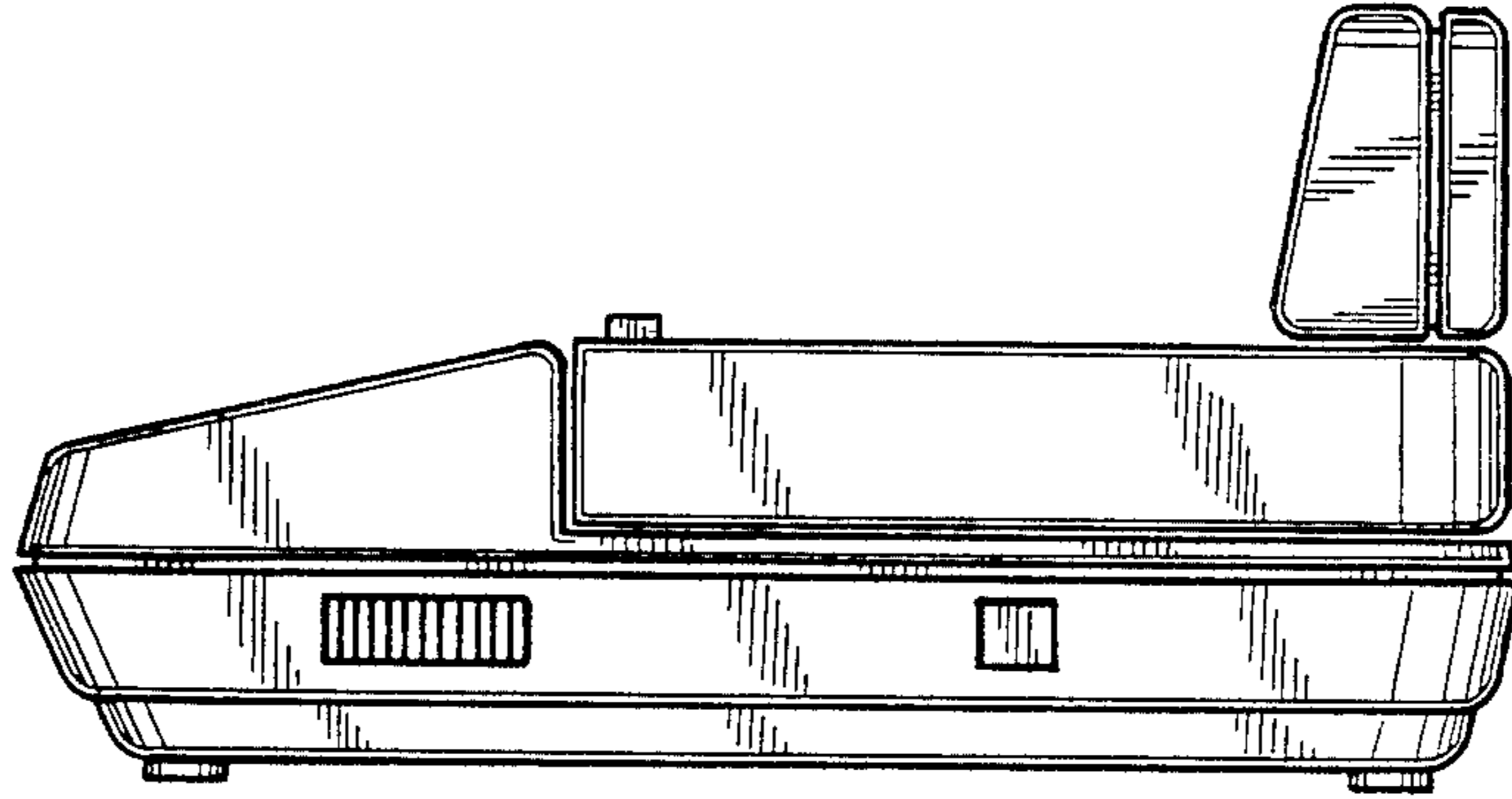


FIG. 6

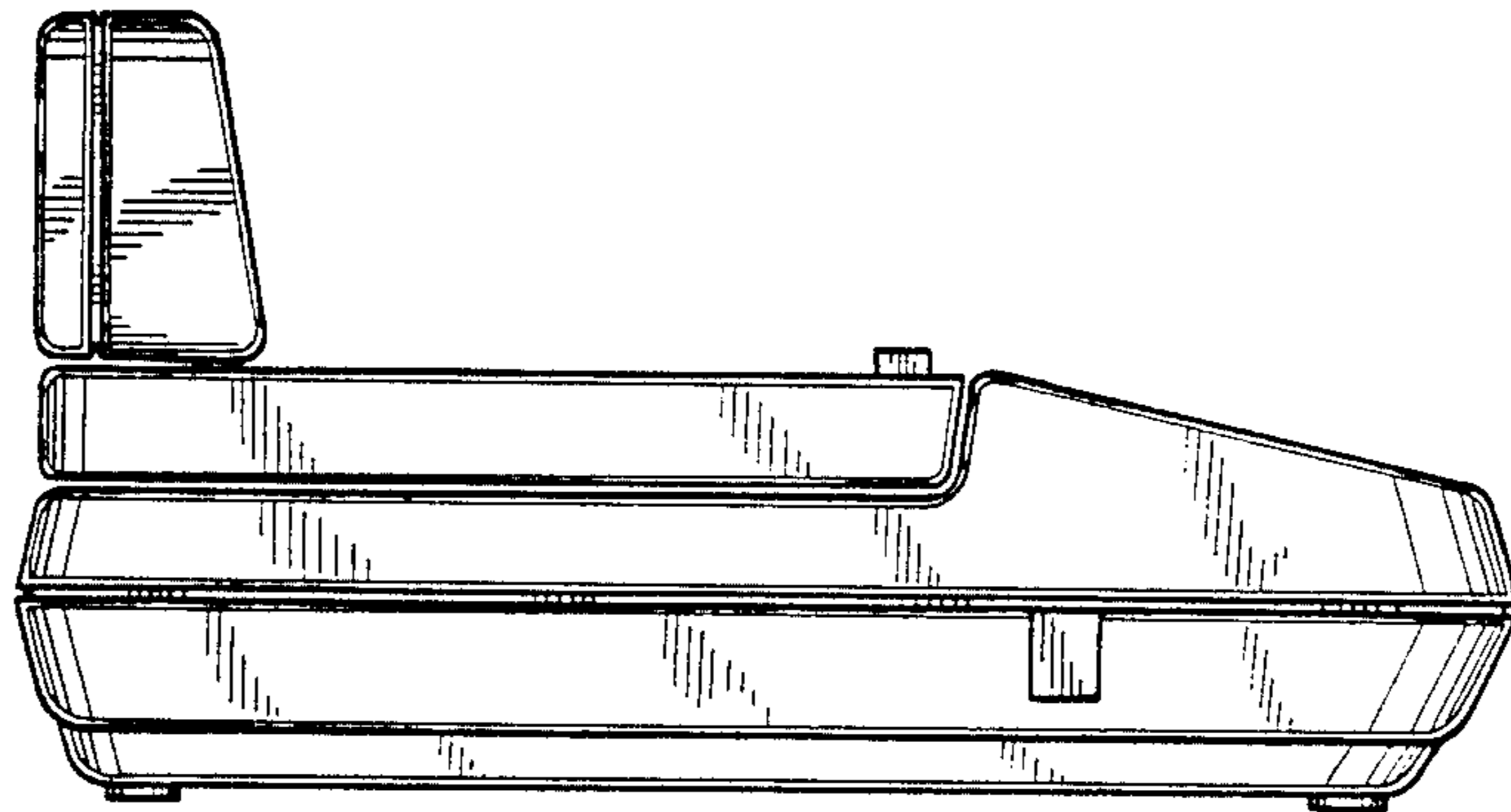


FIG. 5

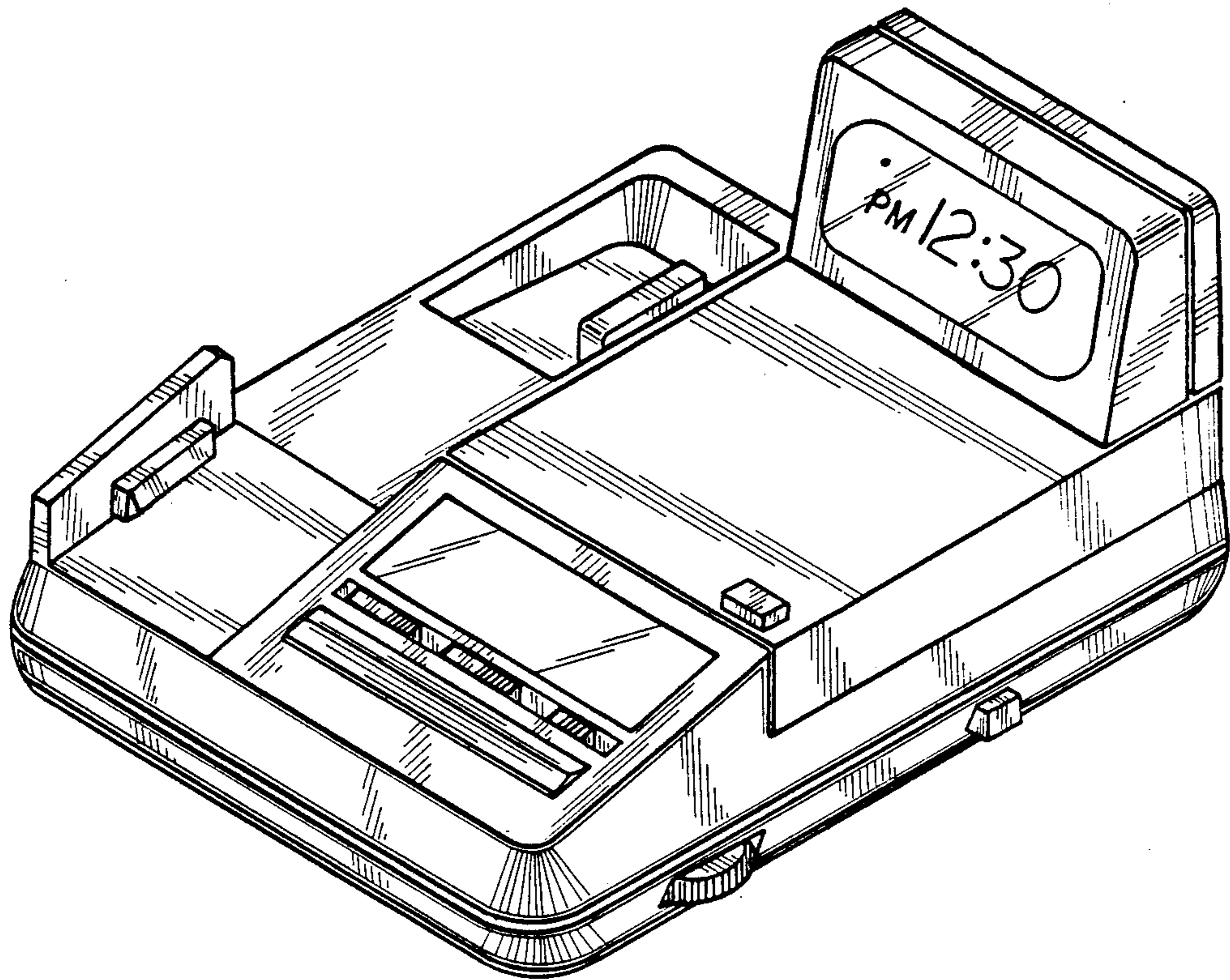


FIG. 7

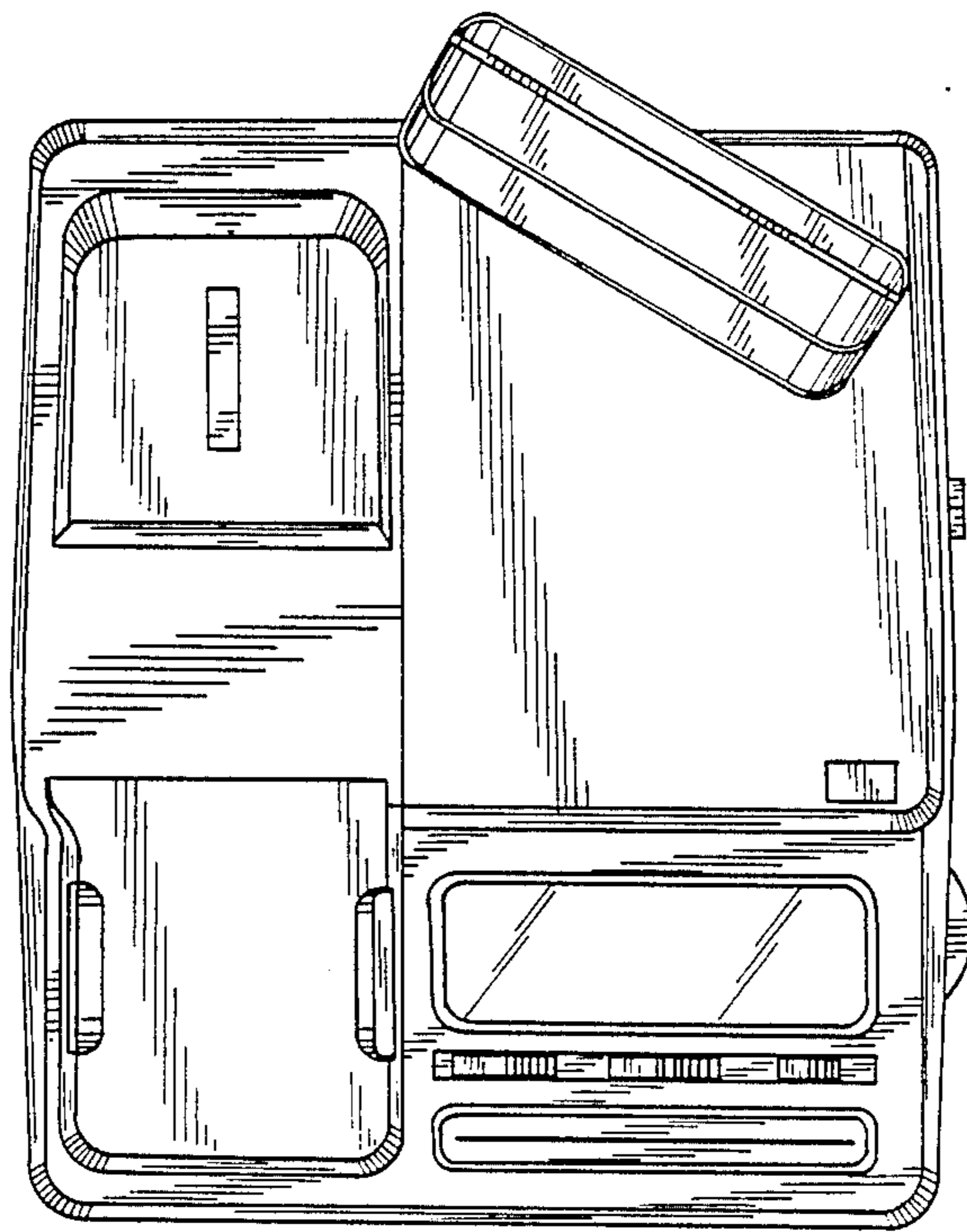


FIG. 8