

- [54] BICYCLE LOCKING RACK
- [76] Inventor: Timothy T. Wahl, 1125 16th St.,
Bellingham, Wash. 98225
- [**] Term: 14 Years
- [21] Appl. No.: 603,236
- [22] Filed: Apr. 23, 1984
- [52] U.S. Cl. D12/115
- [58] Field of Search D12/115; 211/5, 17,
211/20, 22

Bike Ways Products "Bike Bar" Flyers model A & A1, distributed 7/81.

Primary Examiner—James M. Gandy
Attorney, Agent, or Firm—Seed and Berry

[57] CLAIM

The ornamental design for a bicycle locking rack, as shown and described.

DESCRIPTION

FIG. 1 is a front isometric view of a bicycle locking rack showing my new design;
 FIG. 2 is a bottom plan view thereof;
 FIG. 3 is a rear elevation view thereof;
 FIG. 4 is a top plan view thereof;
 FIG. 5 is a front isometric view of a bicycle locking rack showing a second embodiment of my new design;
 FIG. 6 is a bottom plan view of FIG. 5;
 FIG. 7 is a top plan view of FIG. 5; and
 FIG. 8 is a rear elevation view of FIG. 5.

- [56] **References Cited**
- U.S. PATENT DOCUMENTS**
- D. 268,488 4/1983 Arnott et al. D12/115
- 4,182,454 1/1980 Tohms 211/5
- OTHER PUBLICATIONS**
- Cycle World, 12/76, P105, cycle jack, top left side of page.

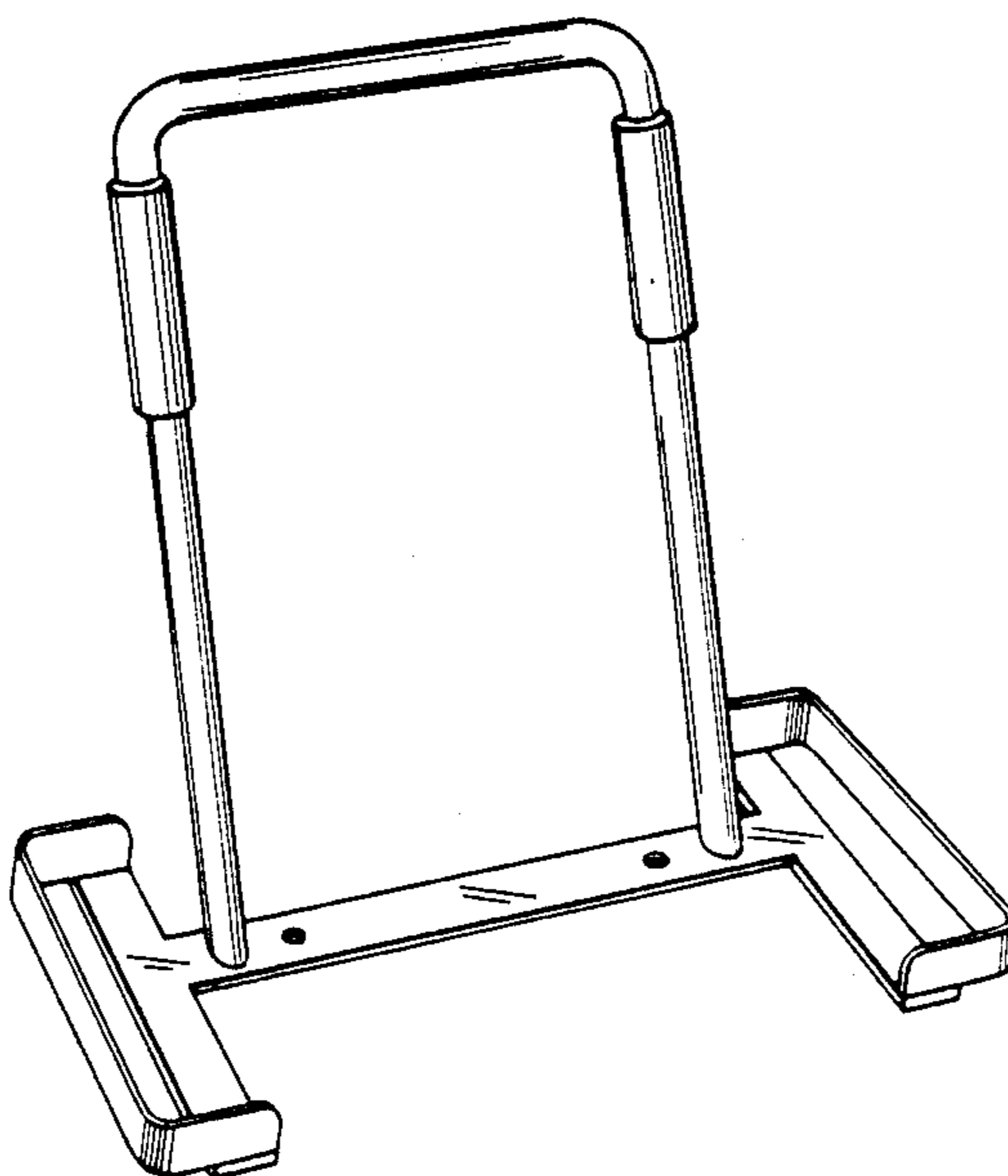


FIG. 1

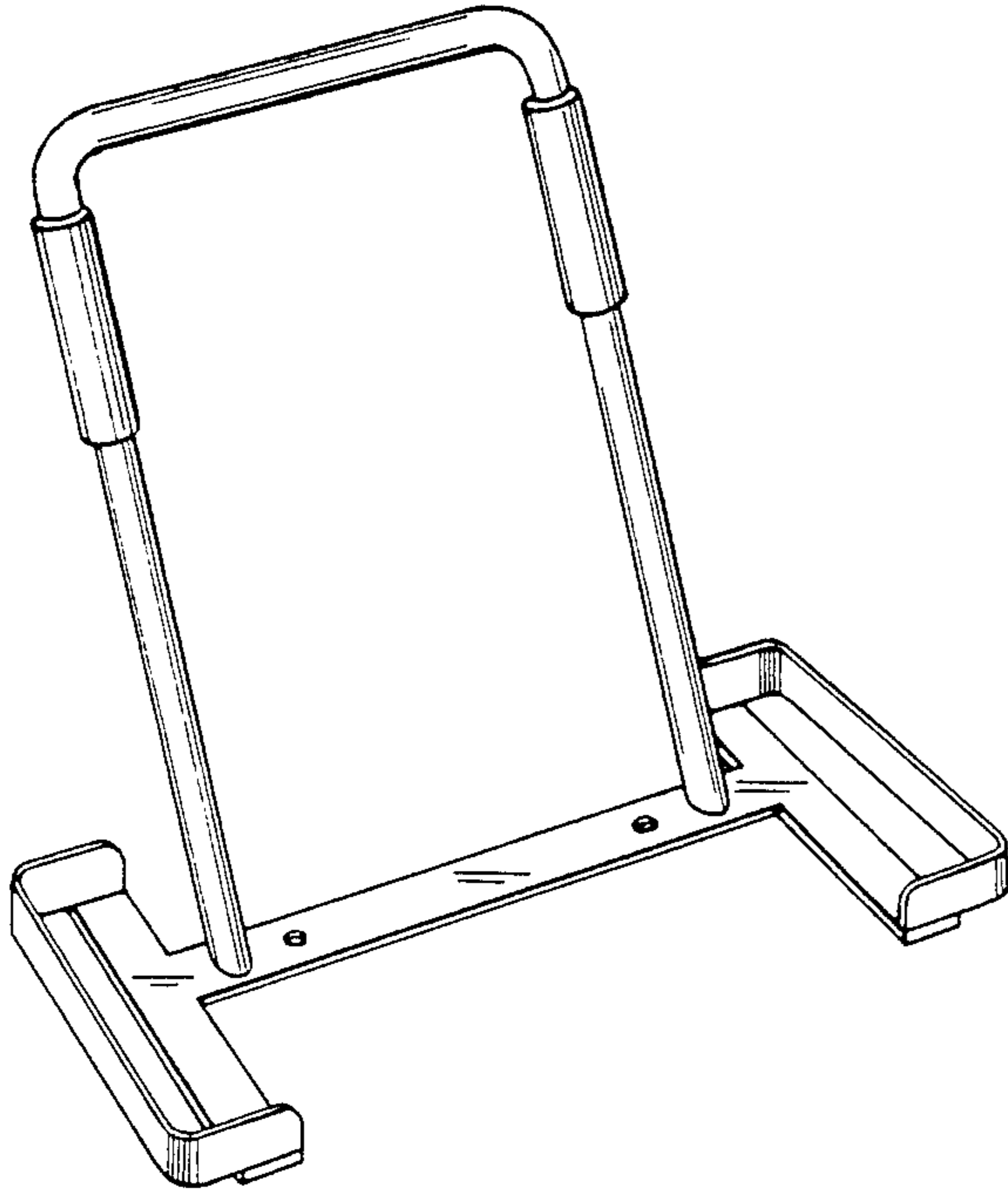


FIG. 2

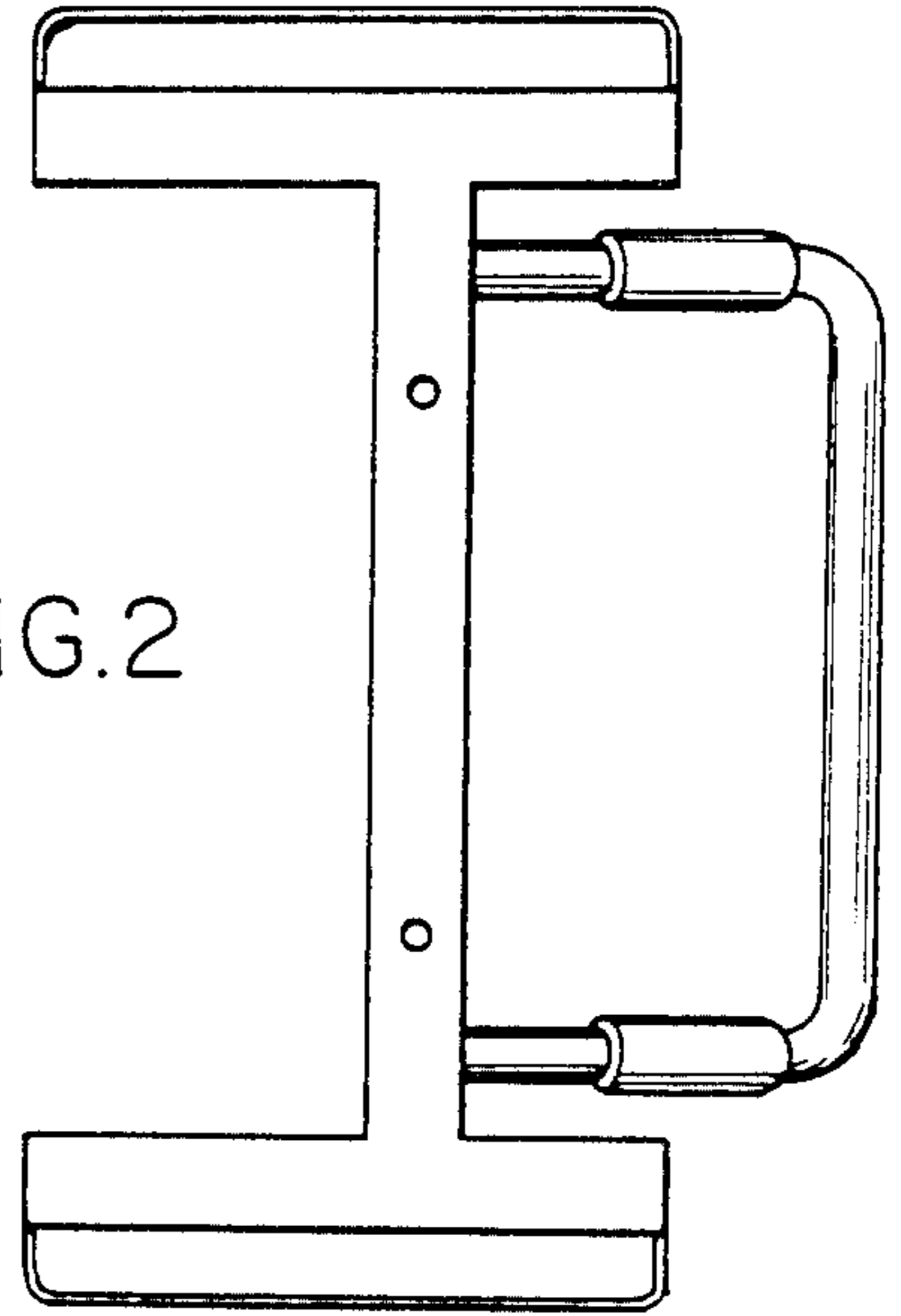


FIG. 4

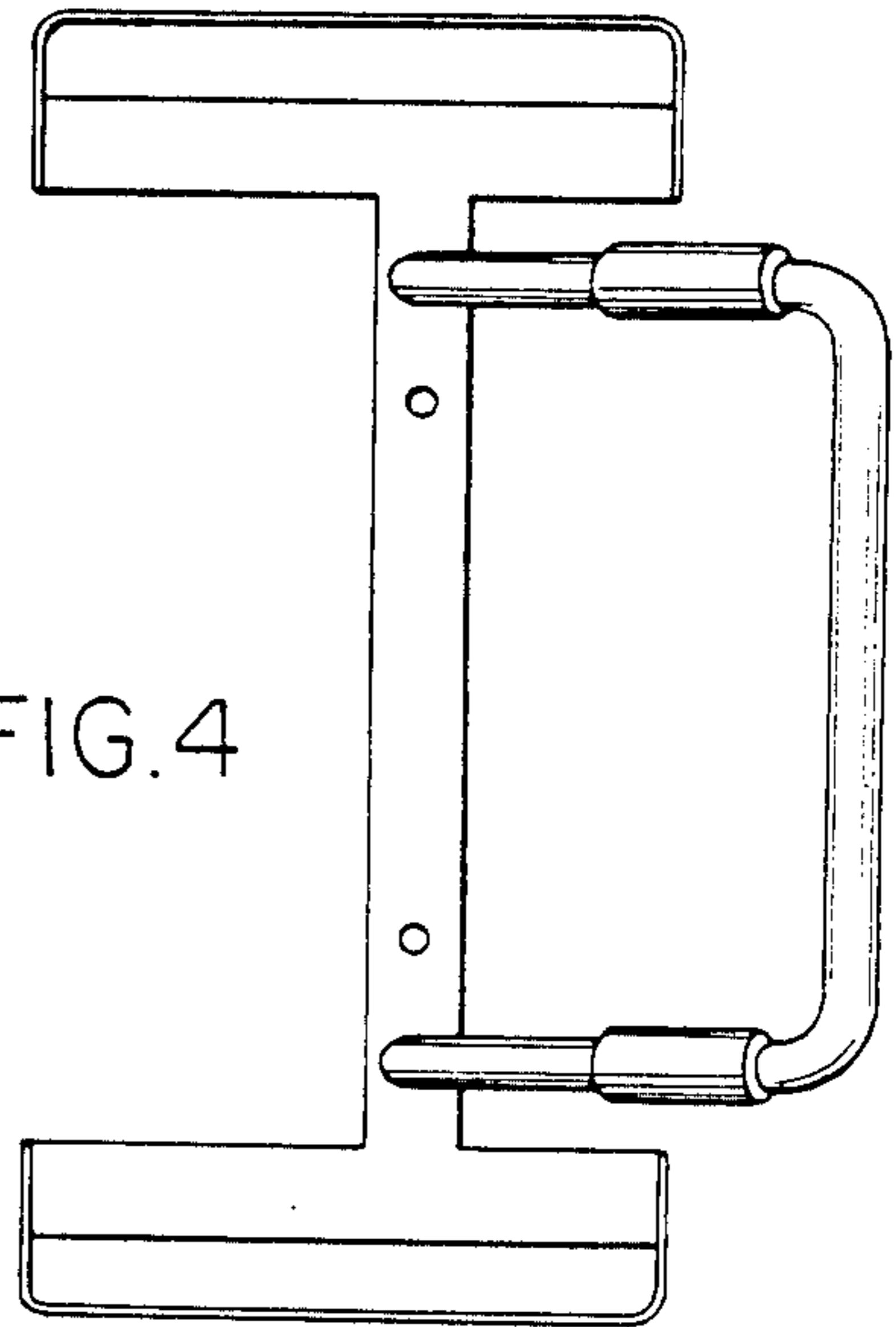


FIG. 3

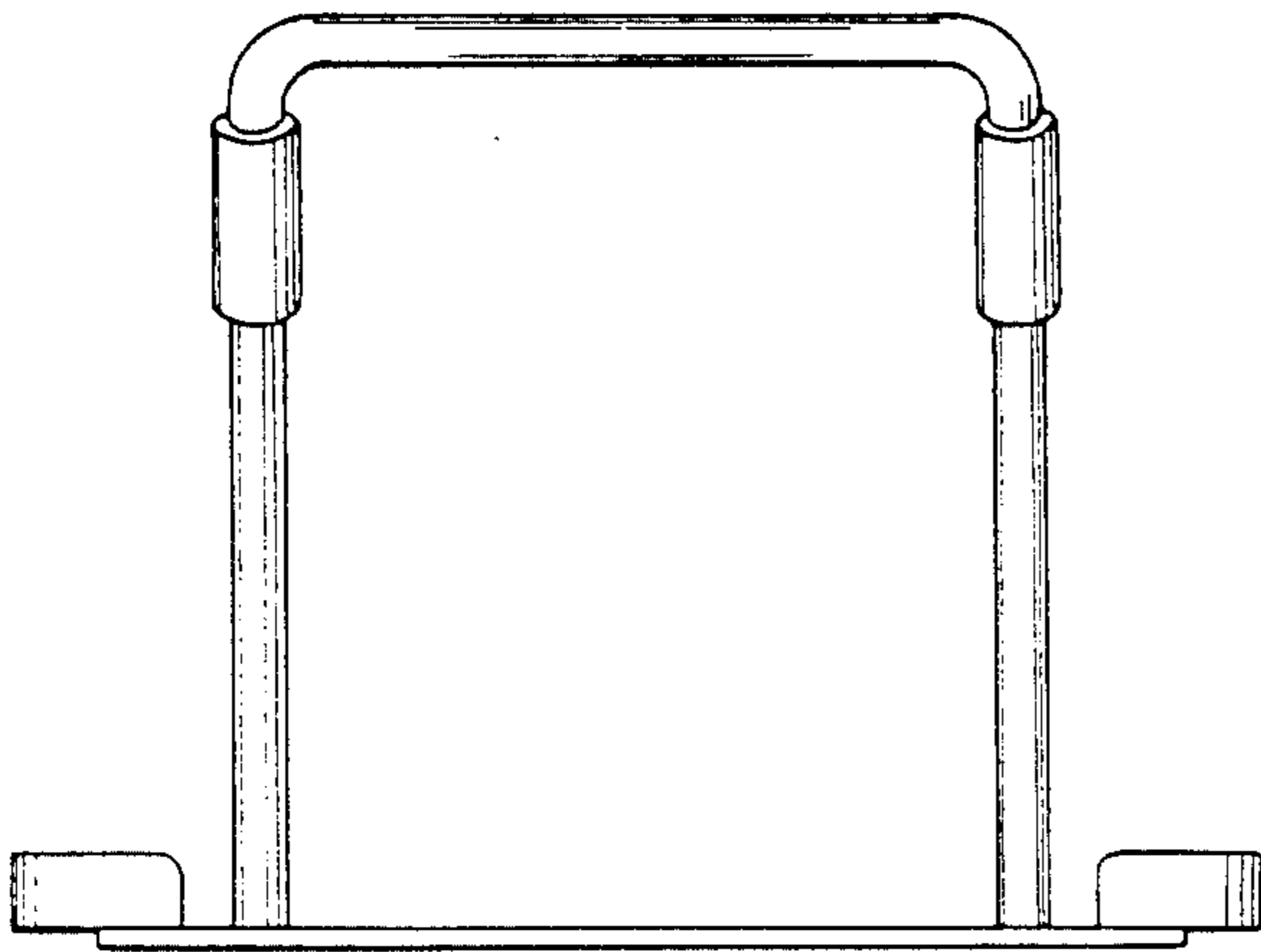


FIG. 5

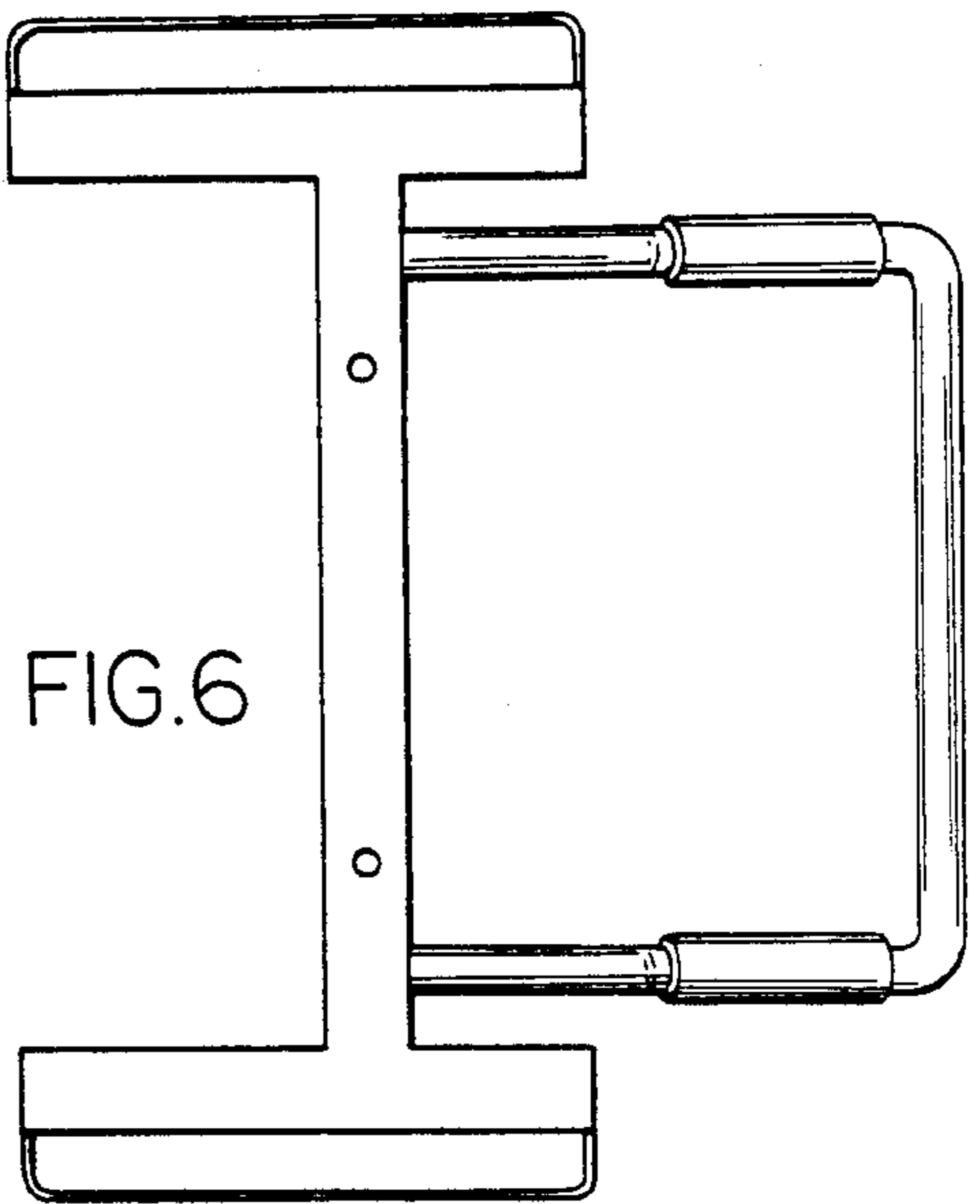
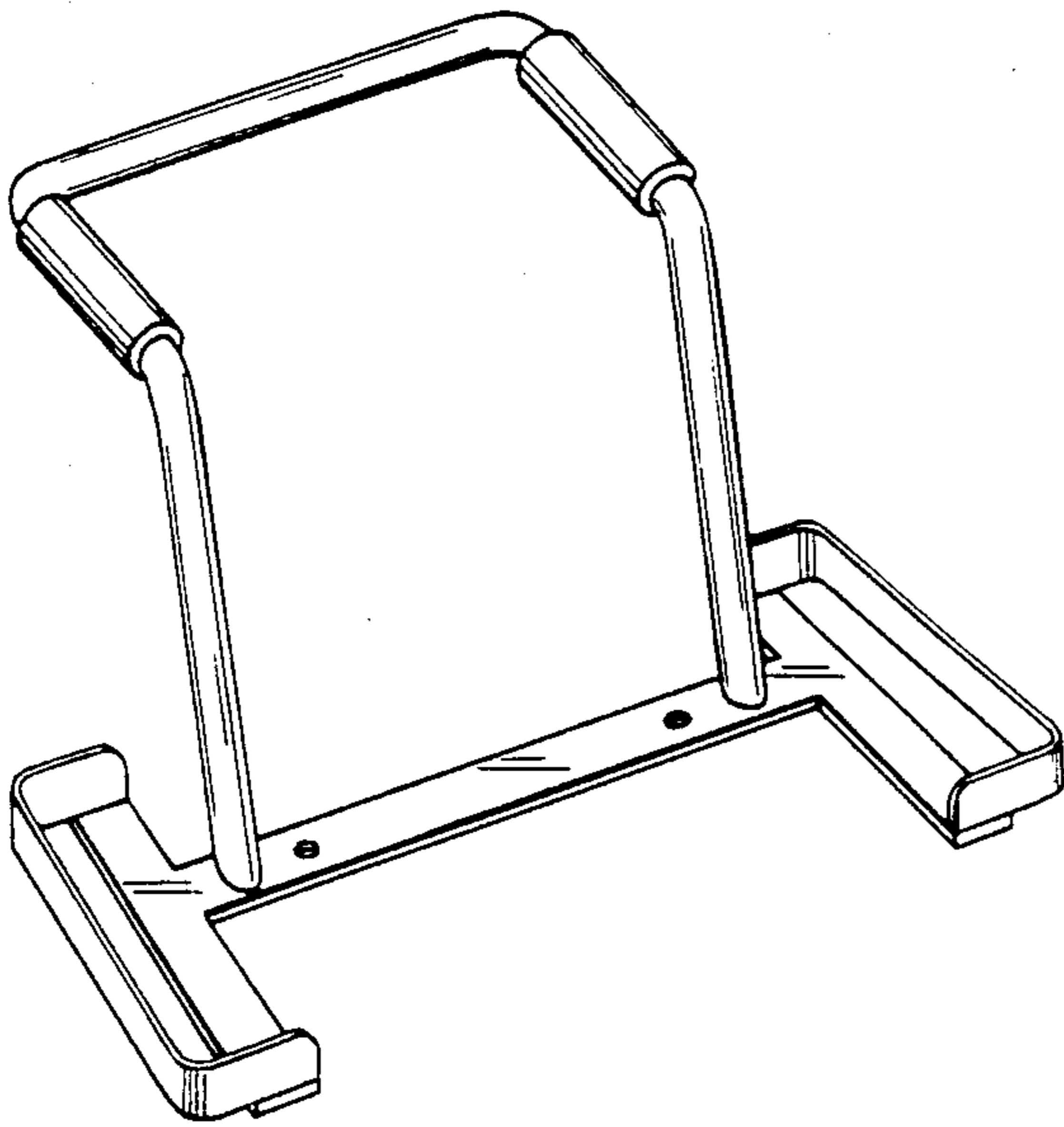


FIG. 6

FIG. 8

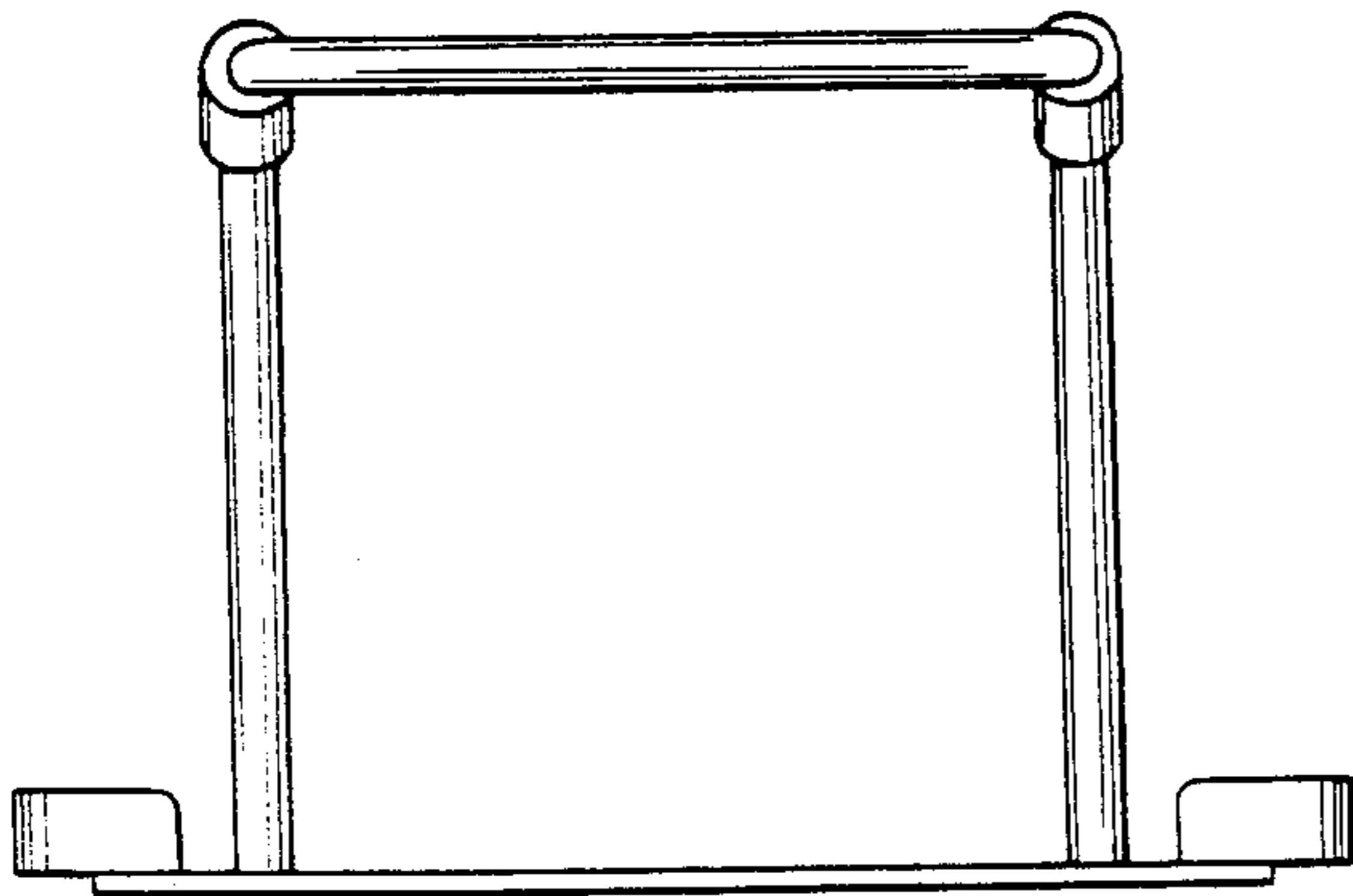


FIG. 7

