

[54] ELECTRONIC METER OR THE LIKE

[75] Inventor: James A. Vaught, Euless, Tex.

[73] Assignee: Abbott Laboratories, Abbott Park, Ill.

[\*\*] Term: 14 Years

[21] Appl. No.: 762,643

[22] Filed: Aug. 5, 1985

[52] U.S. Cl. .... D10/75; D10/102

[58] Field of Search ..... D10/46, 75, 78, 102, D10/103, 81; 324/73 R, 115, 156

[56] References Cited

U.S. PATENT DOCUMENTS

D. 235,779	7/1975	Barr	.....	D10/75	X
D. 262,994	2/1982	Holler	.....	D10/75	X
2,631,187	3/1953	Bunker	.....	324/73	R

2,684,466	7/1954	Staples	.....	324/73	R X
4,081,022	3/1978	Wester	.....	324/73	R X
4,112,748	9/1978	Walley	.....	324/158	F X

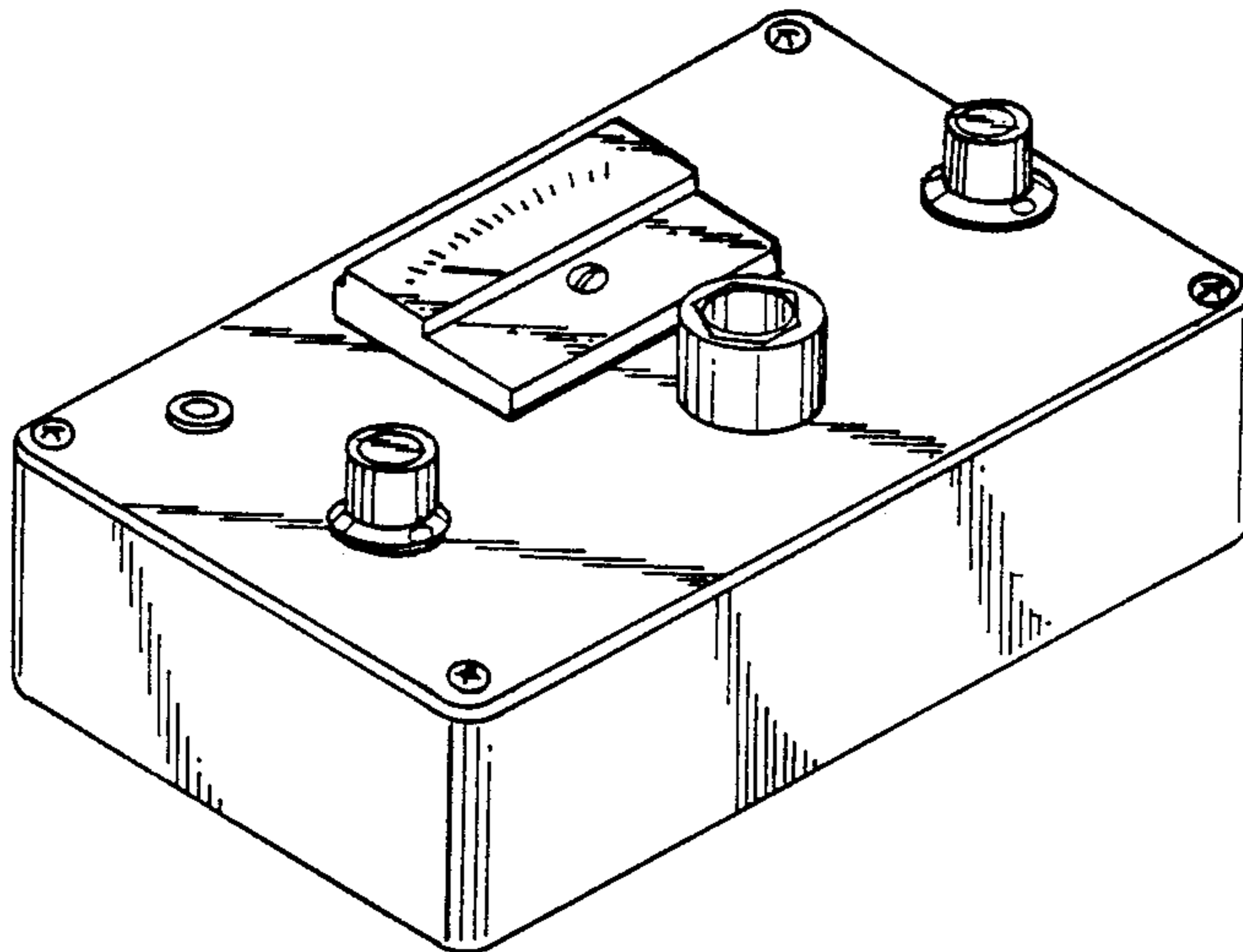
Primary Examiner—Nelson C. Holtje  
Attorney, Agent, or Firm—Robert W. Stevenson; Dennis K. Shelton; Martin L. Katz

[57] CLAIM

The ornamental design of an electronic meter or the like, substantially as shown and described.

DESCRIPTION

FIG. 1 is a top and left front perspective view of an electronic meter or the like, showing my new design; FIG. 2 is a top plan view thereof; FIG. 3 is a left side elevational view thereof; FIG. 4 is a right side elevational view thereof; FIG. 5 is a rear side elevational view thereof; and FIG. 6 is a bottom plan view thereof.



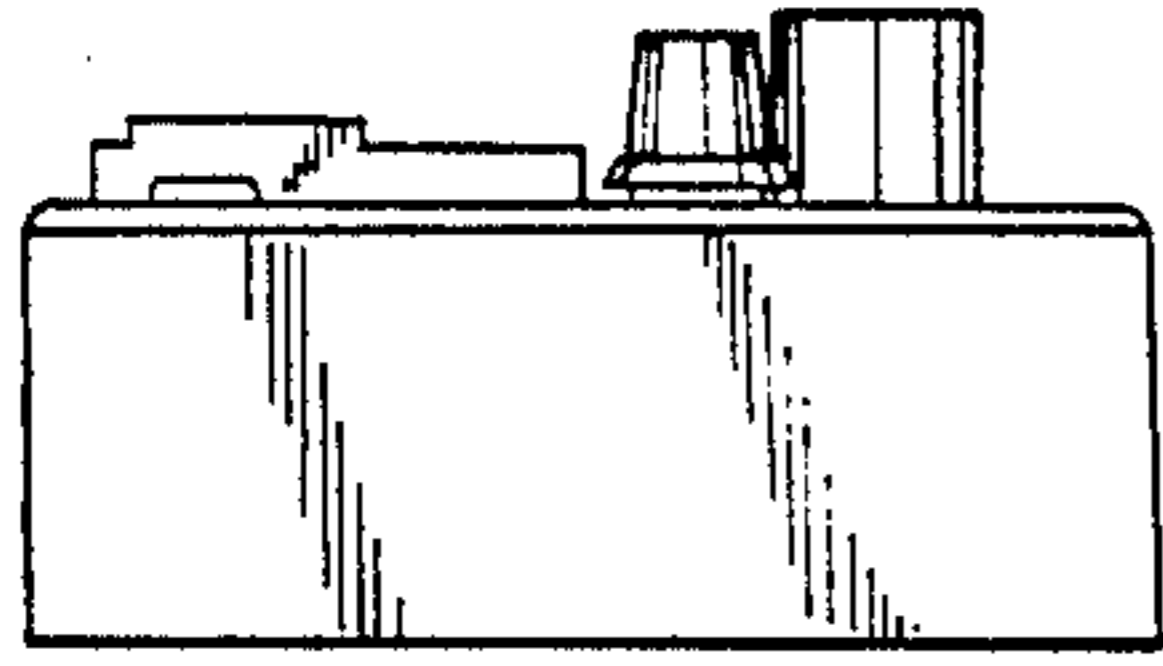


FIG. 3

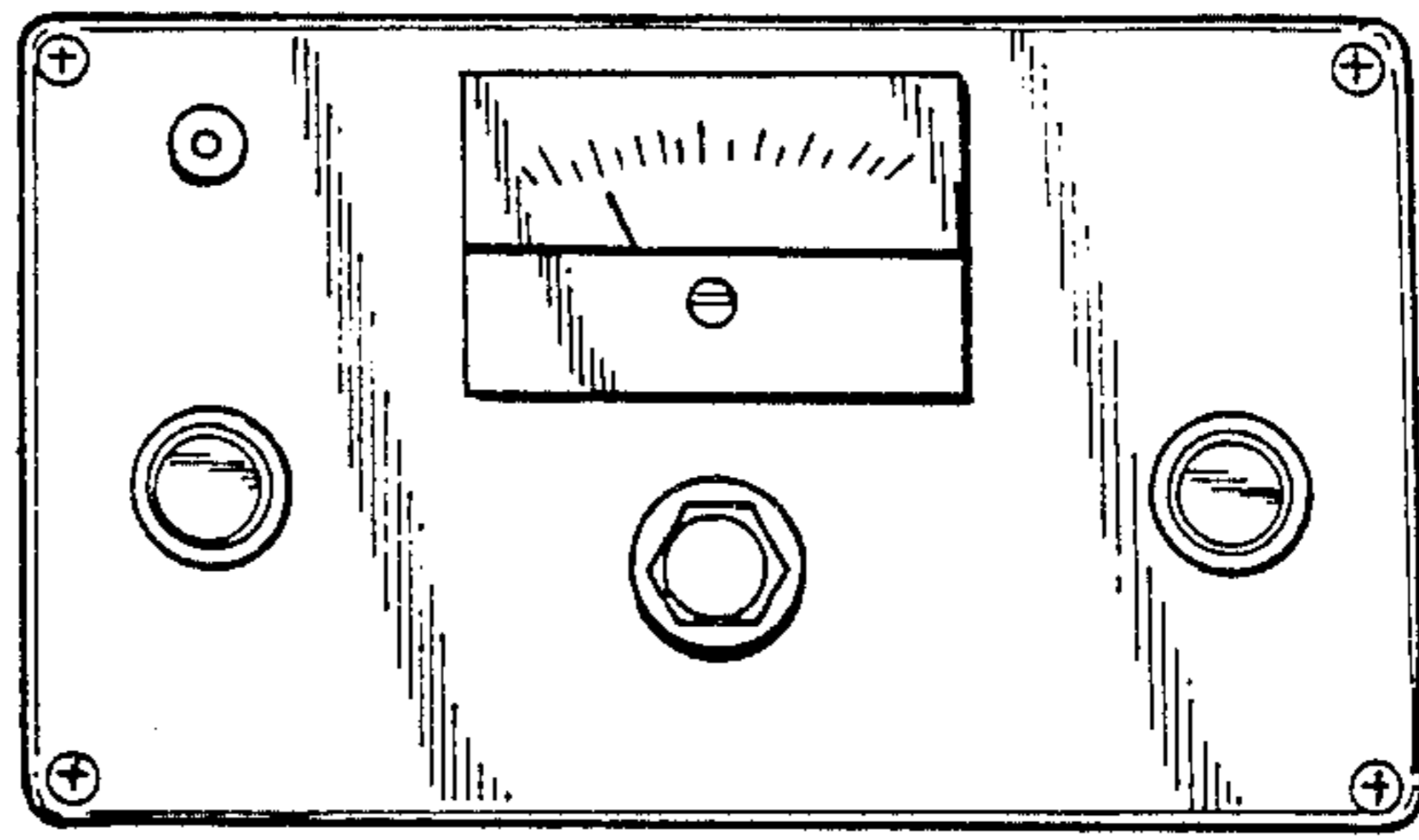


FIG. 2

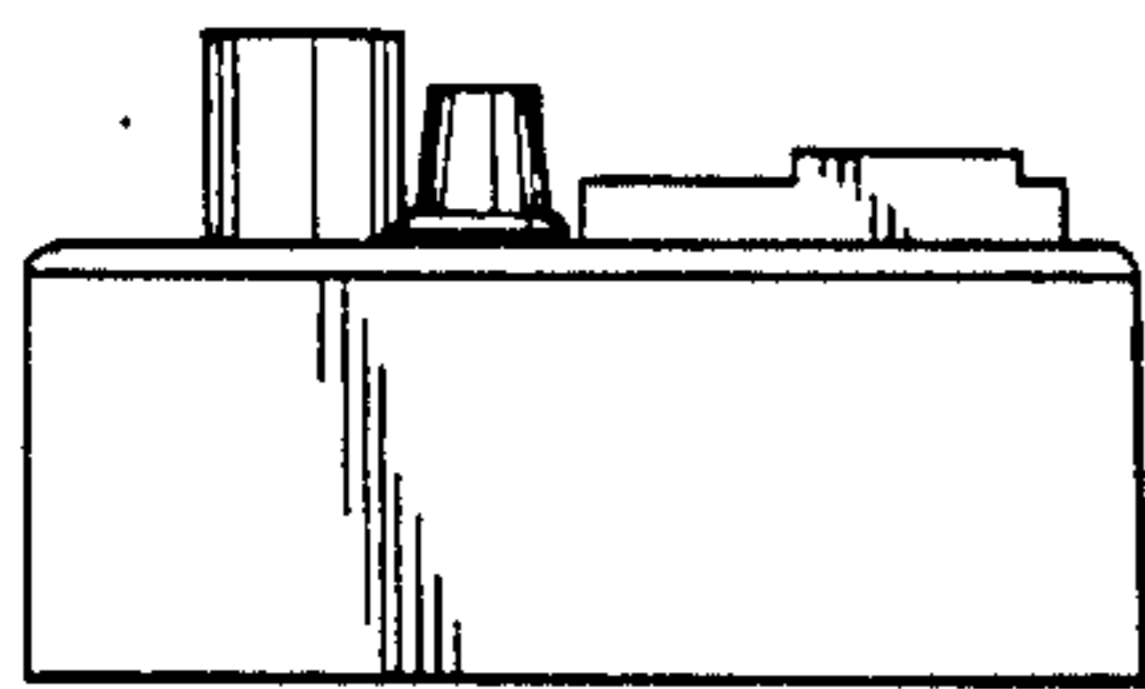


FIG. 4

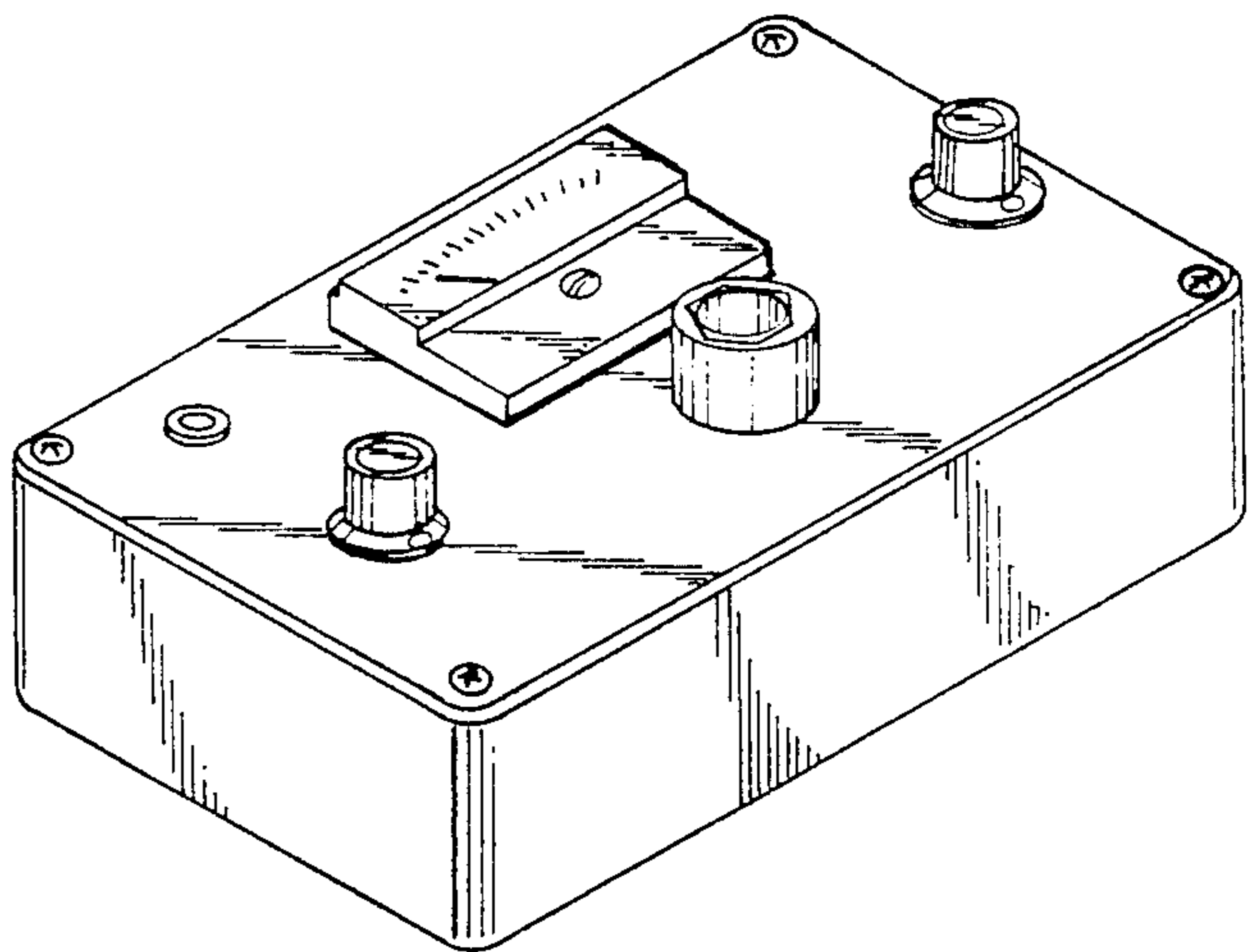


FIG. 1

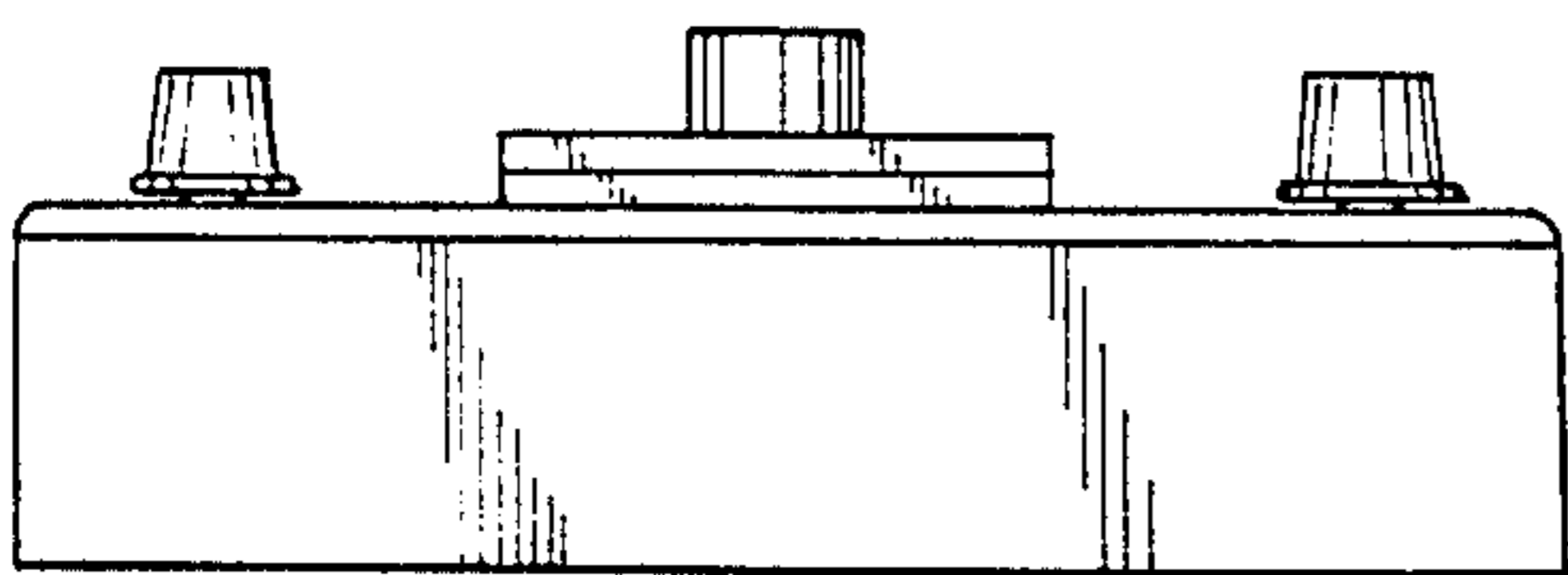


FIG. 5

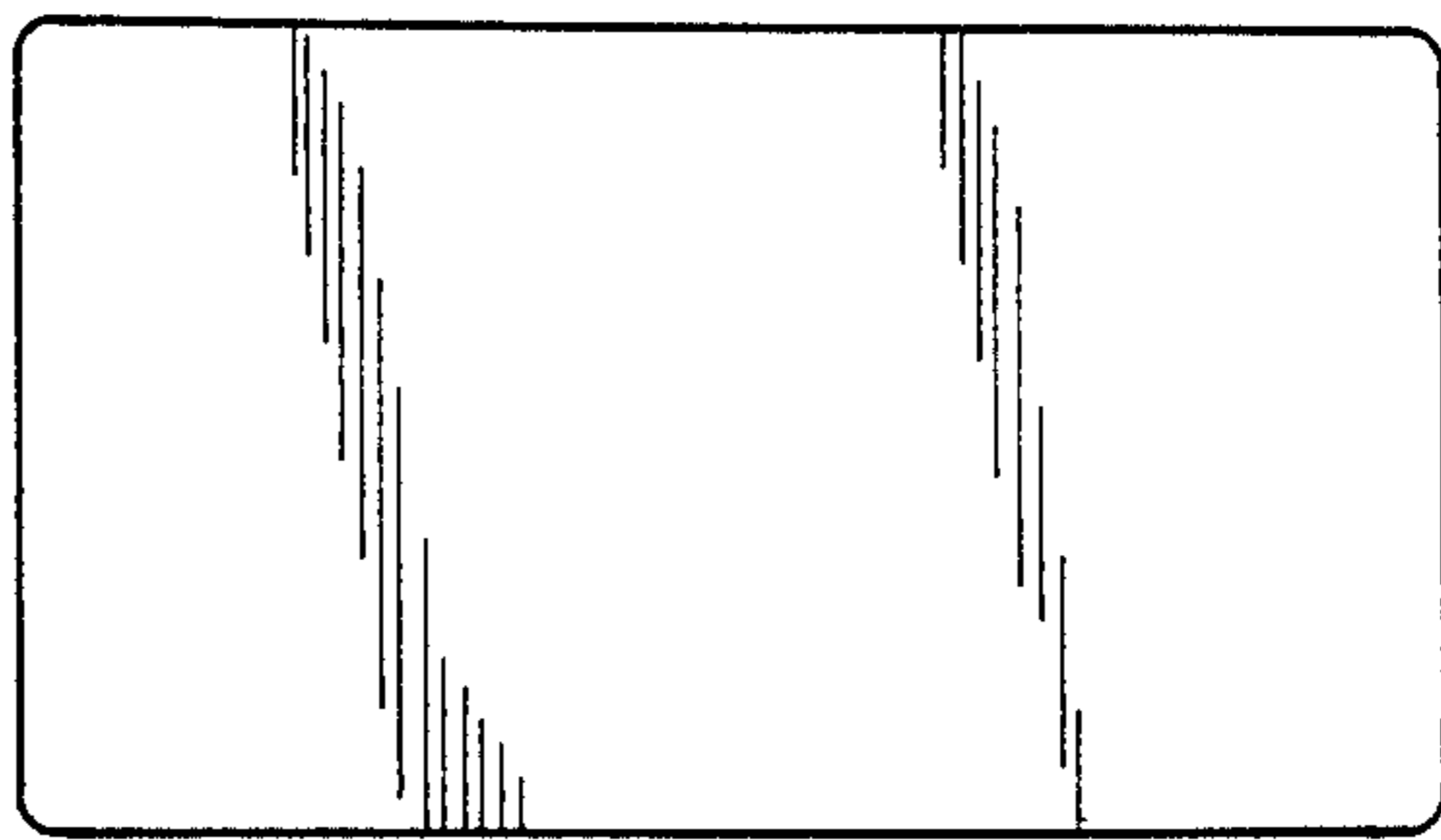


FIG. 6