

[54] MEASURING IMPLEMENT FOR A CONTAINER

[76] Inventor: Patricia Grinnell, 26000 Aeropuerto, Sp. 24, San Juan Capistrano, Calif. 92675

[**] Term: 14 Years

[21] Appl. No.: 681,441

[22] Filed: Dec. 13, 1984

[52] U.S. Cl. D9/434

[58] Field of Search D9/434-455; D32/54; 220/90; D7/39, 50, 387; 222/570, 571, 572

[56] References Cited

U.S. PATENT DOCUMENTS

- D. 254,482 3/1980 Bell D32/54
- 375,517 12/1887 Vogel 220/90
- 972,621 10/1910 Hutchison 220/90

- 2,109,803 3/1938 Prince et al. 220/90
- 2,275,305 3/1942 Morgan 220/90
- 2,660,333 11/1953 Paxton 220/90
- 2,960,257 11/1960 Sasse 220/90
- 4,240,568 12/1980 Pool 220/90 X

Primary Examiner—Robert C. Spangler
Attorney, Agent, or Firm—Stetina and Brunda

[57] CLAIM

The ornamental design for a measuring implement for a container, as shown and described.

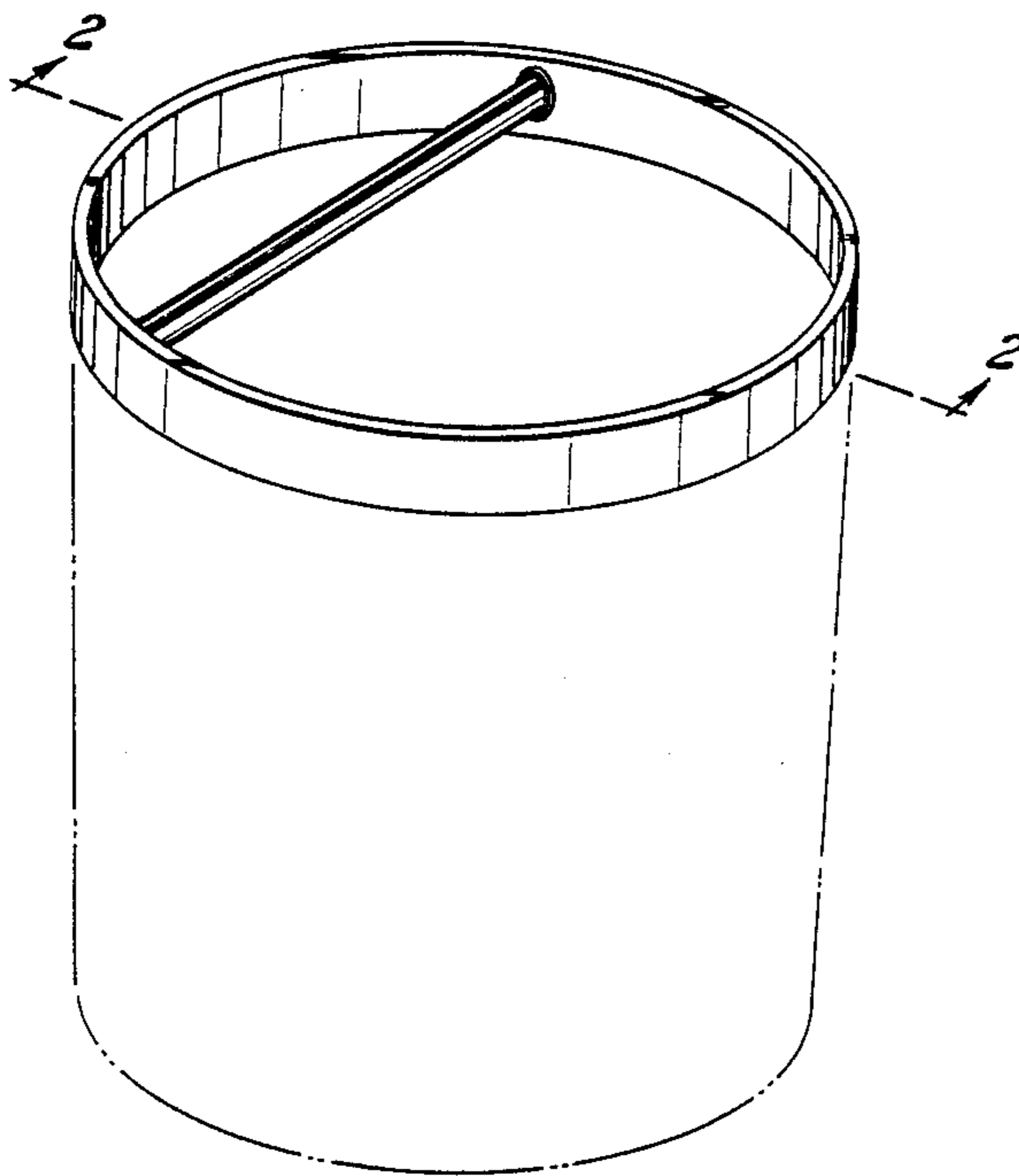
DESCRIPTION

FIG. 1 is a perspective view of a measuring implement for a container showing my new design, the opposite side being a mirror image thereof;

FIG. 2 is a sectional view taken on the line line 2—2 of FIG. 1; and

FIG. 3 is a top plan view, the bottom being a mirror image thereof.

The dash lines in FIGS. 1 and 3 are for the purpose of showing environmental use only.



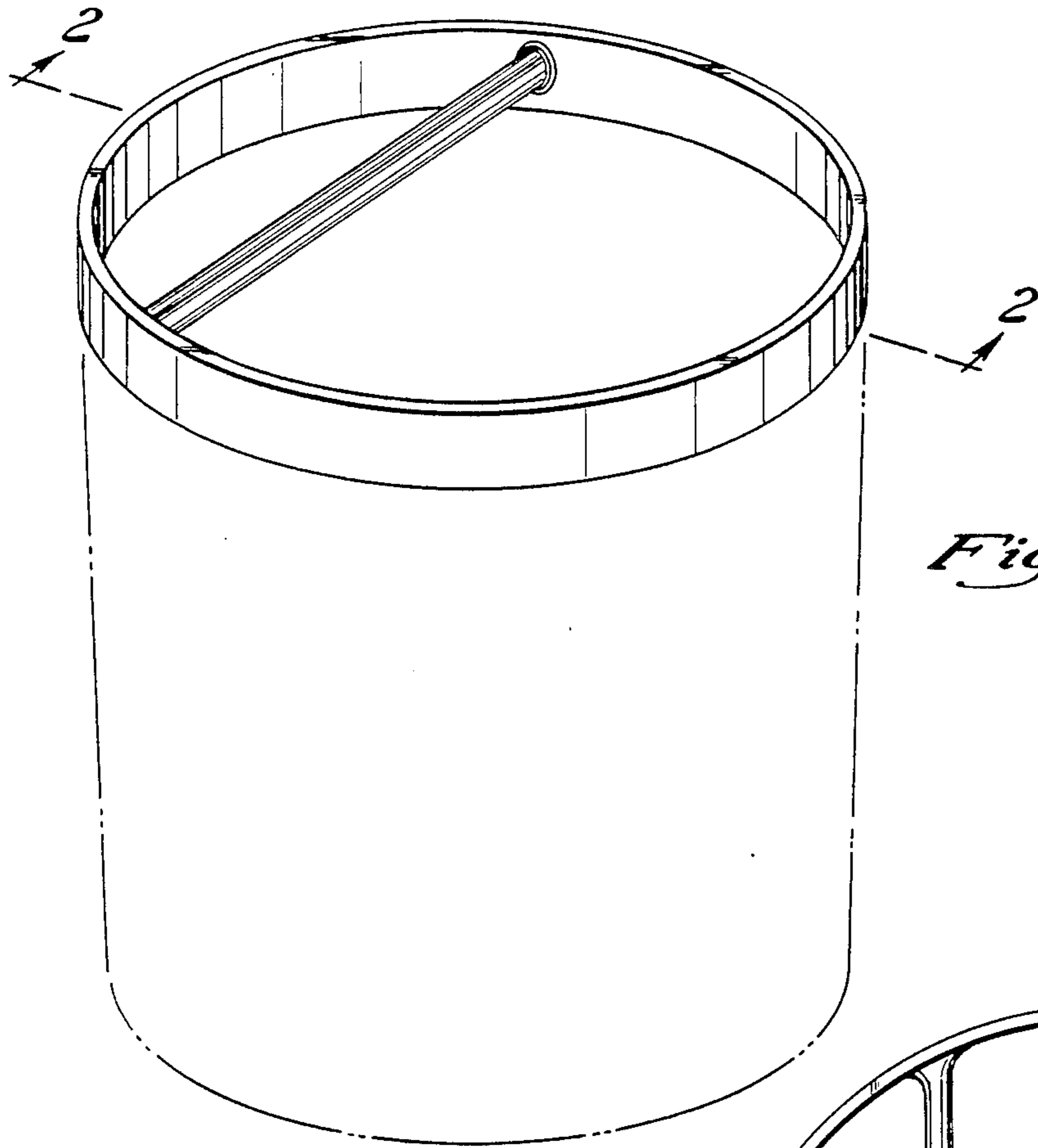


Fig. 1

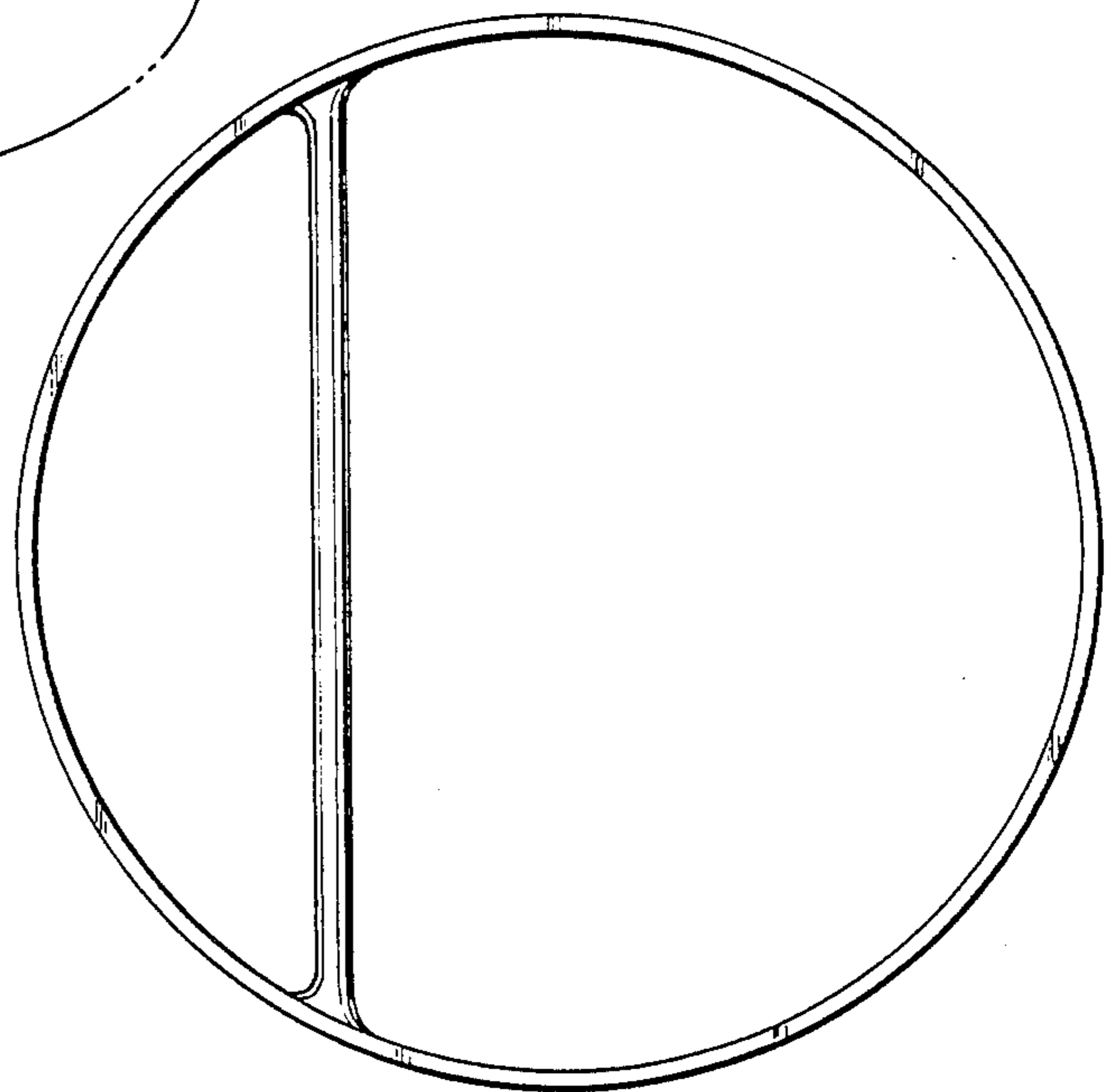


Fig. 2

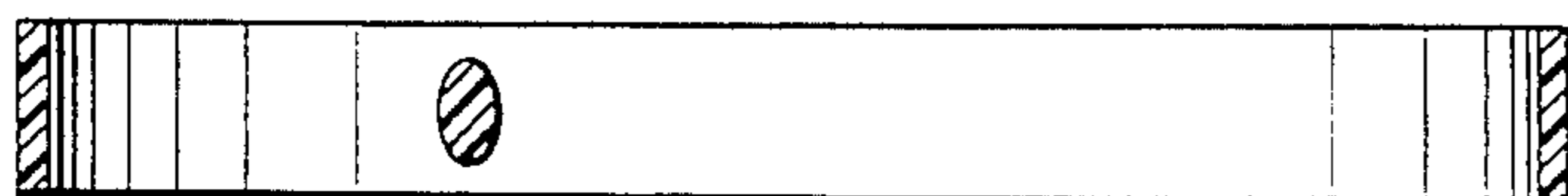


Fig. 3