

[54] WINDOW SASH LATCH

[75] Inventor: Perry P. Bocson, Rte. 6, Box 455-HI, Hartwood, Va. 22471

[73] Assignee: Perry Patrick Bocson, Hartwood, Va.

[**] Term: 14 Years

[21] Appl. No.: 944,593

[22] Filed: Dec. 18, 1986

[52] U.S. Cl. D8/337

[58] Field of Search D8/330-331, D8/336-338; 70/89-90; 292/111, 240-241

[56] References Cited

U.S. PATENT DOCUMENTS

- D. 215,080 9/1969 Ahlgren D8/337
- D. 228,617 10/1973 Dallaire D8/337 X

OTHER PUBLICATIONS

Ironmouger Modern Hardware Brochure, 1973, No. 8200, Sash Fastener.

Primary Examiner—B. J. Bullock
Assistant Examiner—Brian N. Vinson
Attorney, Agent, or Firm—Roland T. Bryan

[57] CLAIM

The ornamental design for a window sash latch, as shown.

DESCRIPTION

FIG. 1 is a top, front perspective view of a window sash latch showing my new design;
FIG. 2 is a top, rear perspective view thereof;
FIG. 3 is a top plan view thereof;
FIG. 4 is a front elevational view thereof;
FIG. 5 is a bottom plan view thereof;
FIG. 6 is a rear elevational view thereof;
FIG. 7 is a right side elevational view thereof; and
FIG. 8 is a left side elevational view thereof.

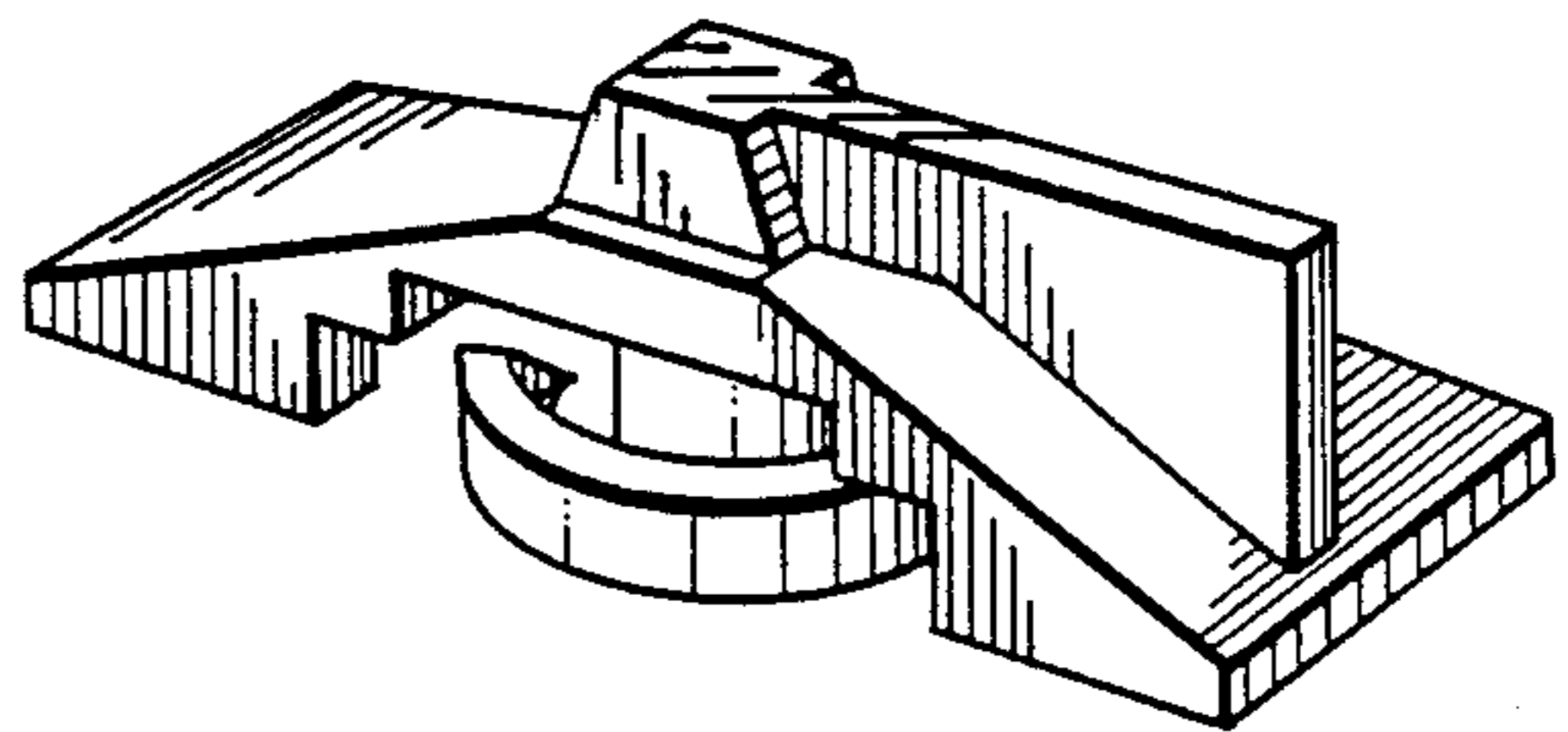
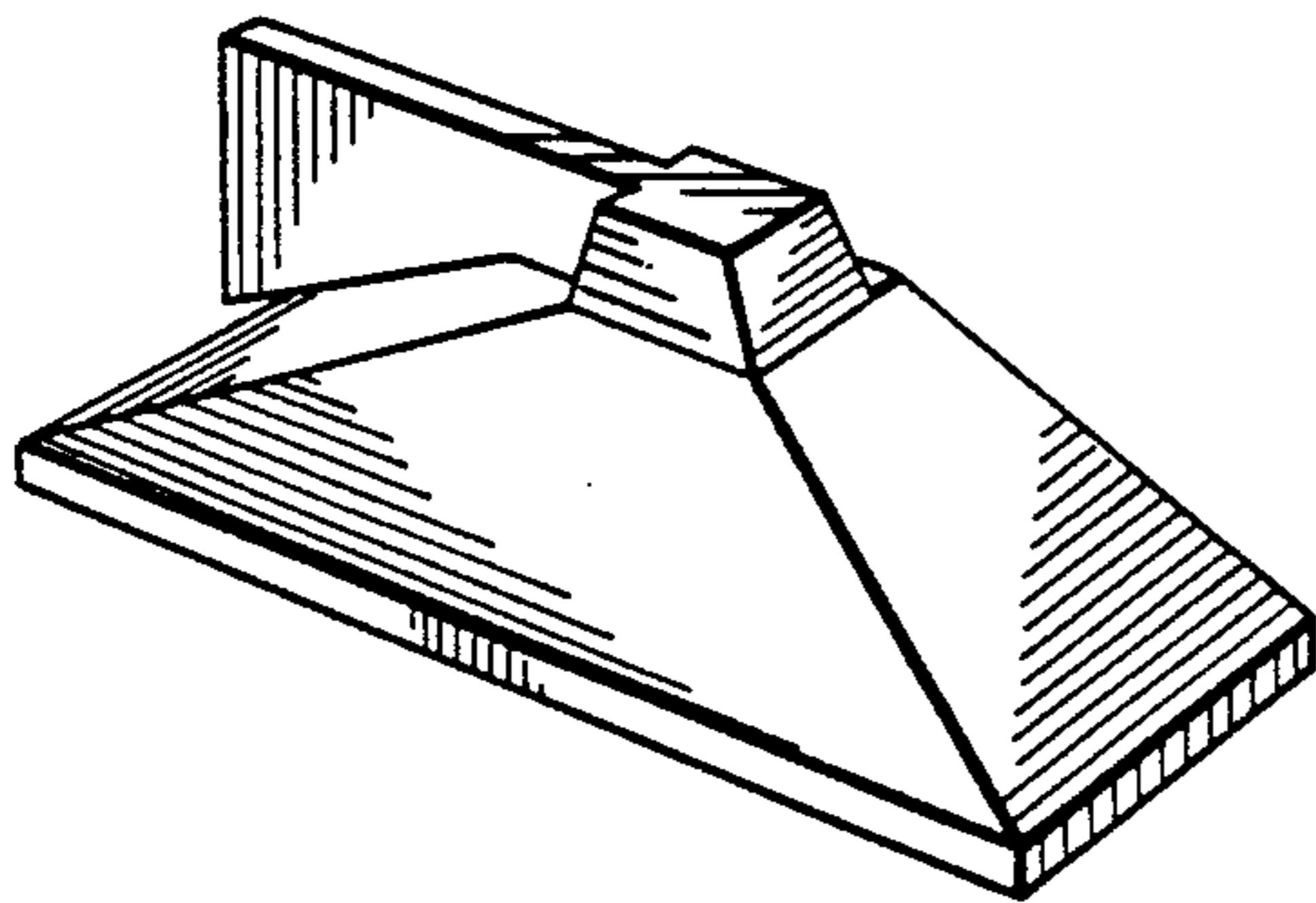


FIG. 1.

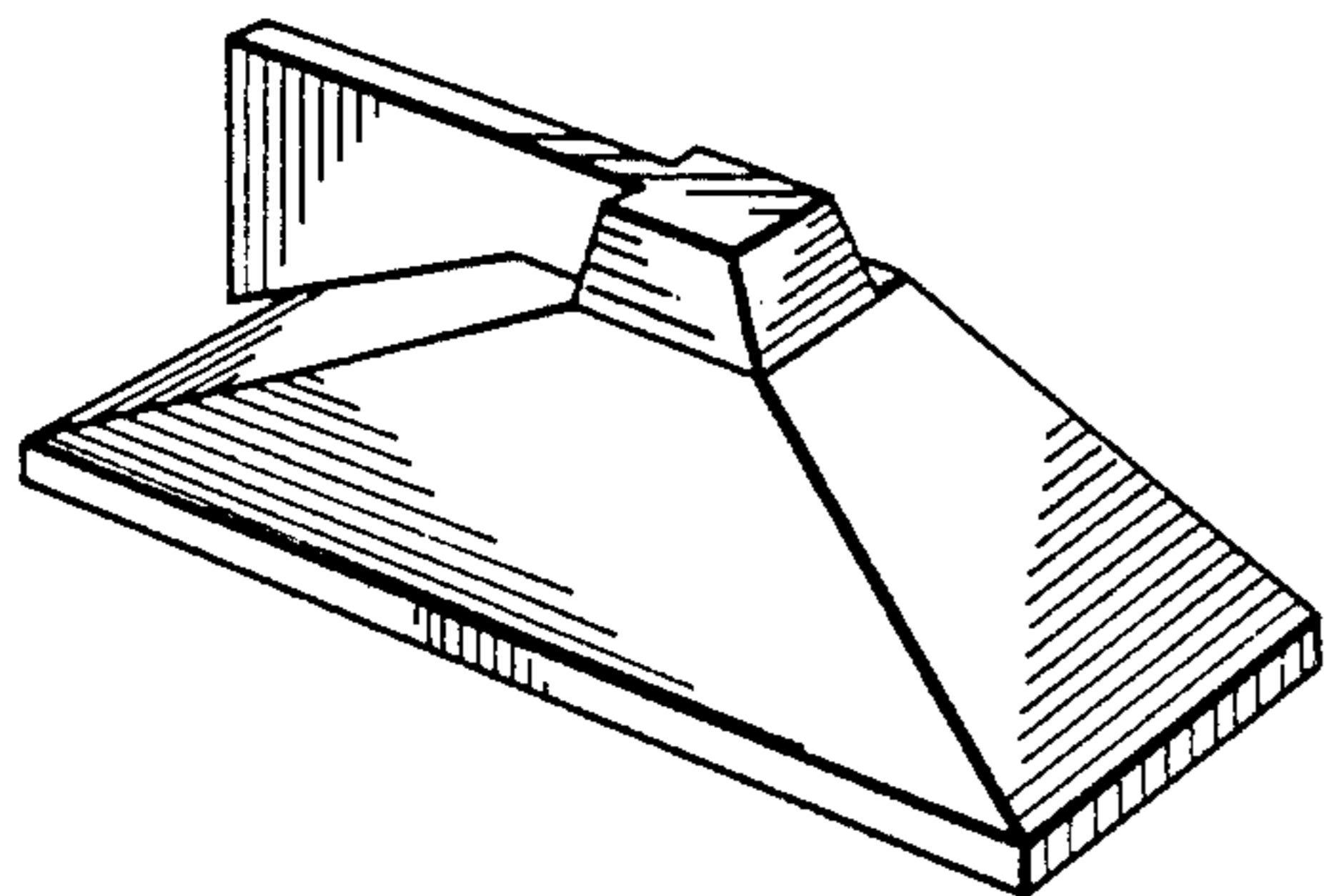


FIG. 2.

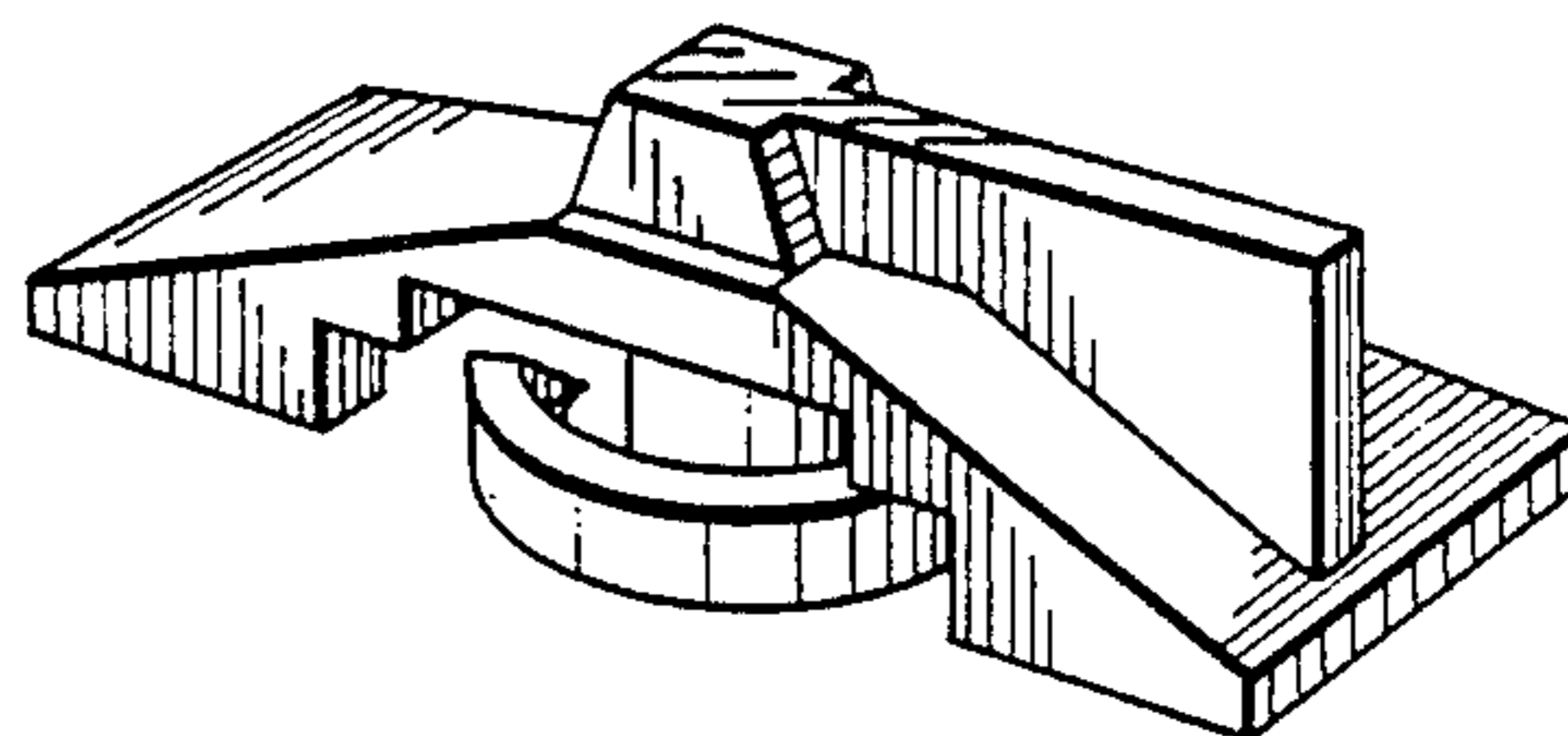


FIG. 3.

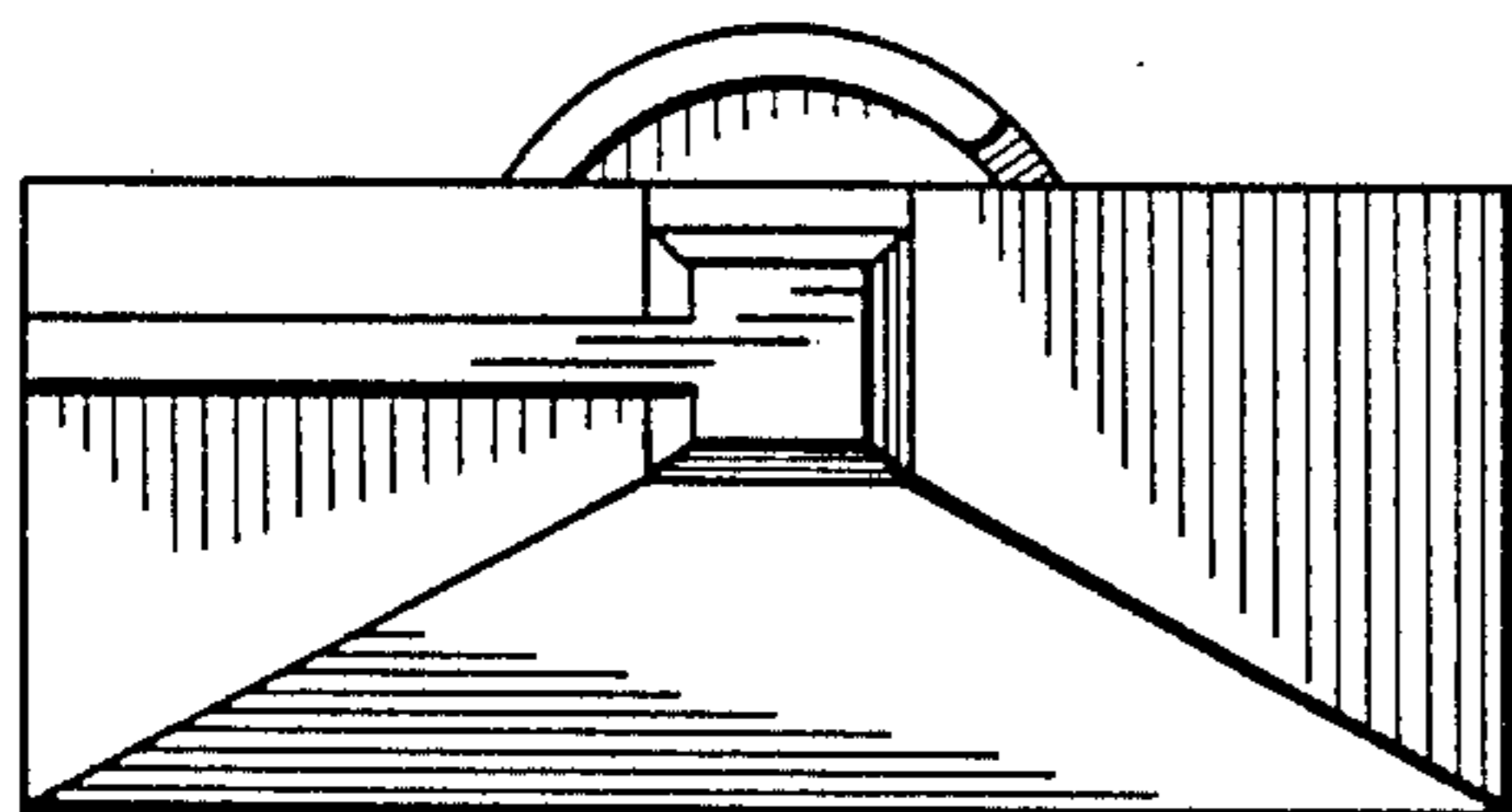


FIG. 6.

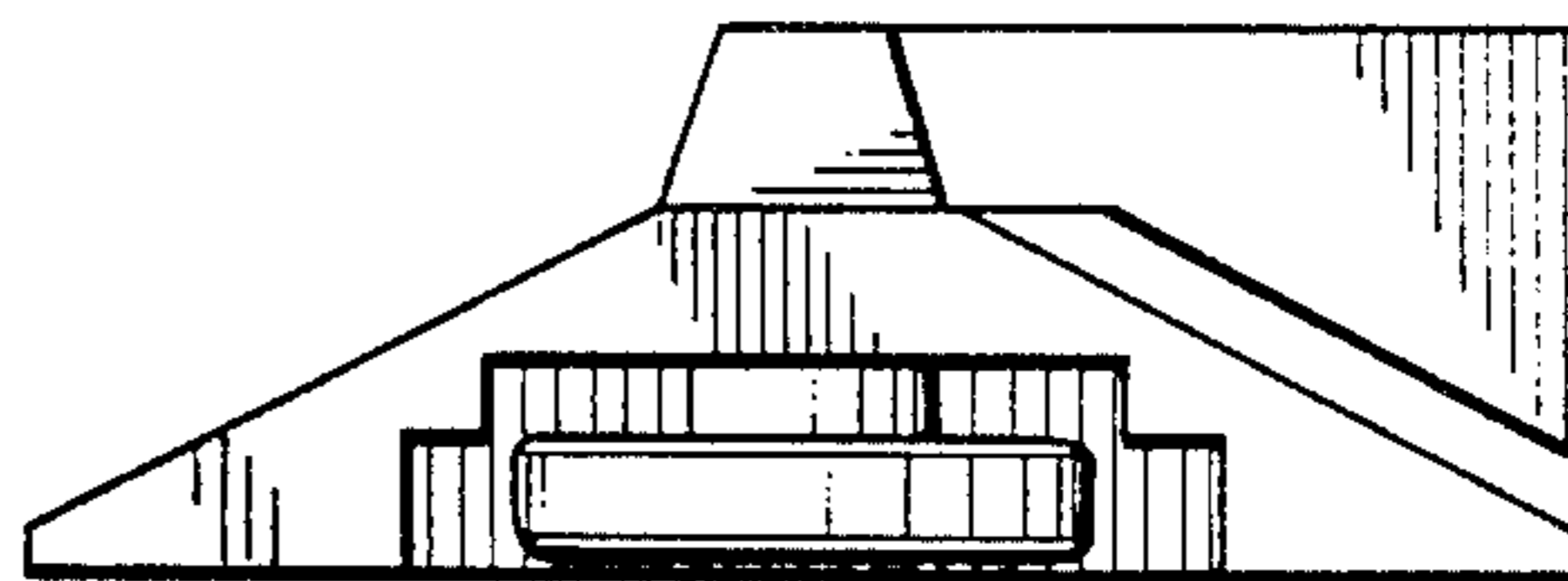


FIG. 4.

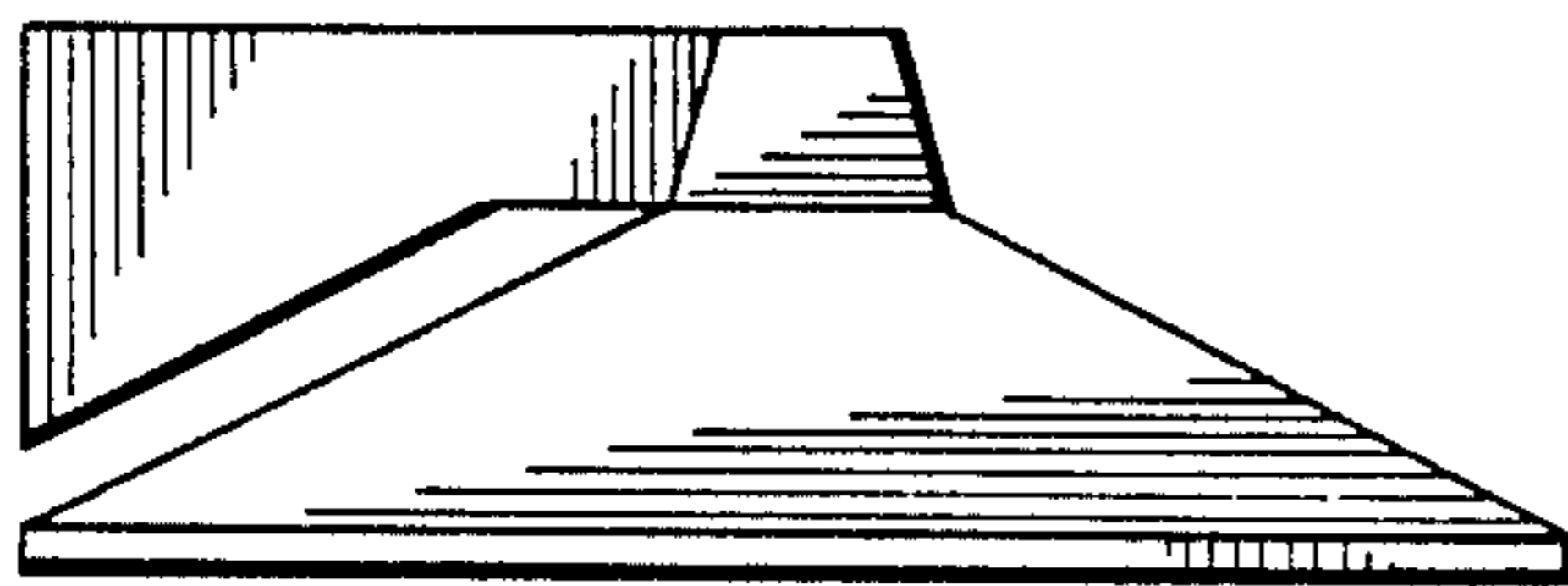


FIG. 7.

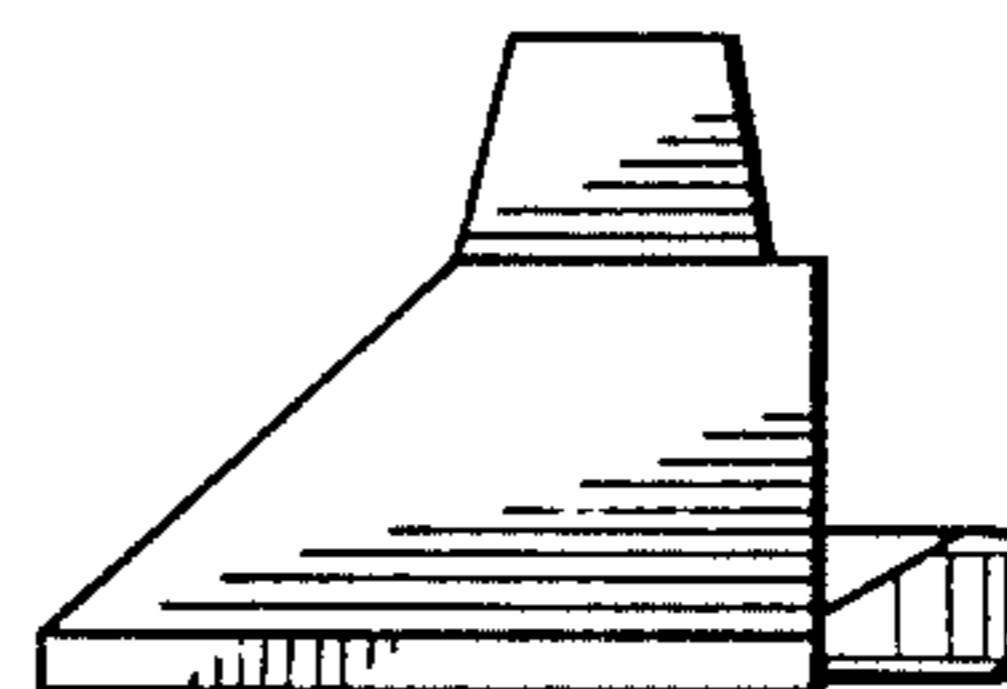


FIG. 5.

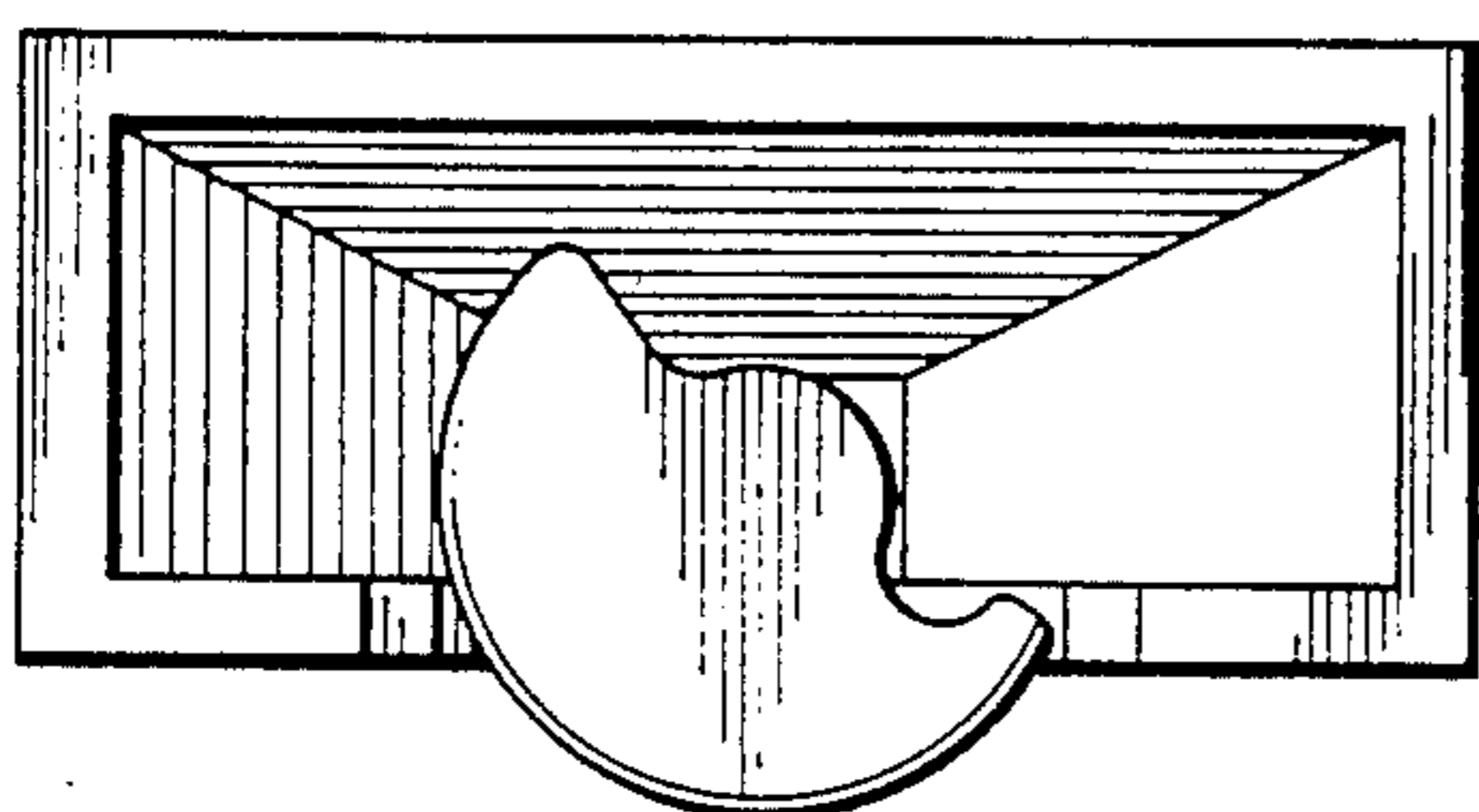


FIG. 8.

