

# United States Patent [19]

Forrester

[11] Patent Number: Des. 295,016

[45] Date of Patent: \*\* Apr. 5, 1988

[54] DRILL GUIDE

[75] Inventor: William D. Forrester, Olathe, Kans.

[73] Assignee: Latco, Ltd., Olathe, Kans.

[\*\*] Term: 14 Years

[21] Appl. No.: 691,419

[22] Filed: Jan. 14, 1985

[52] U.S. Cl. .... D8/70; D8/71

[58] Field of Search ..... D8/70, 71; D15/132,  
D15/138, 140, 141; 408/241, 712, 72

[56] References Cited

## U.S. PATENT DOCUMENTS

D. 264,548	5/1982	Krosunger	.....	D8/70
D. 264,930	6/1982	Lindsay	.....	D8/70
D. 268,165	3/1983	Perry et al.	.....	D8/70
D. 274,033	5/1984	Miller	.....	D8/71

3,464,295	9/1969	Gallion	.....	D8/70 X
3,890,058	6/1975	Self et al.	.....	408/112

*Primary Examiner*—Catherine E. Kemper  
*Attorney, Agent, or Firm*—Kokjer, Kircher, Bradley,  
Wharton, Bowman & Johnson

[57] CLAIM

The ornamental design for a drill guide, as shown and described.

## DESCRIPTION

FIG. 1 is a perspective view of a drill guide showing my new design;

FIG. 2 is a front elevational view thereof;

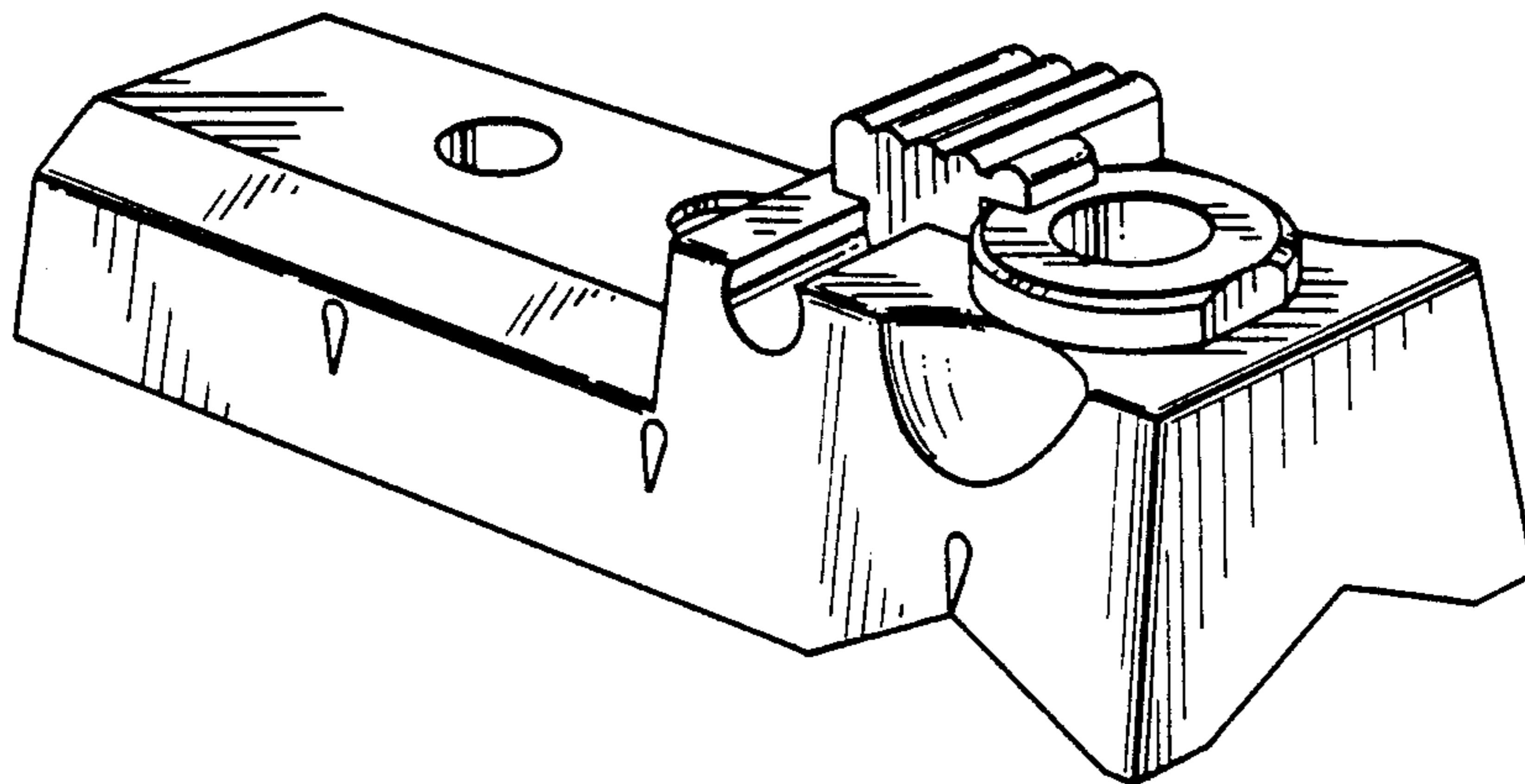
FIG. 3 is a rear elevational view thereof;

FIG. 4 is a top plan view thereof;

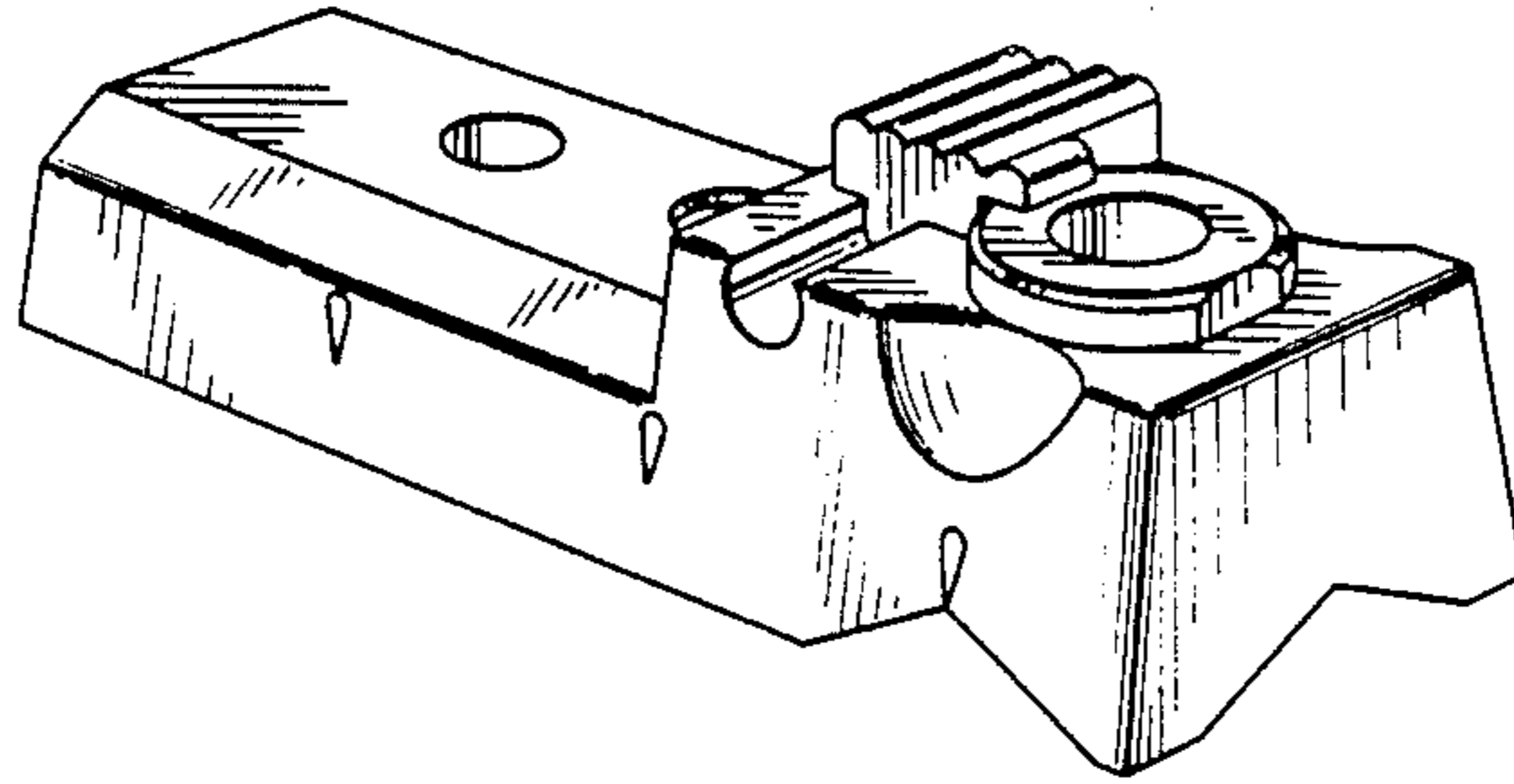
FIG. 5 is a bottom plan view thereof;

FIG. 6 is a right end elevational view thereof; and

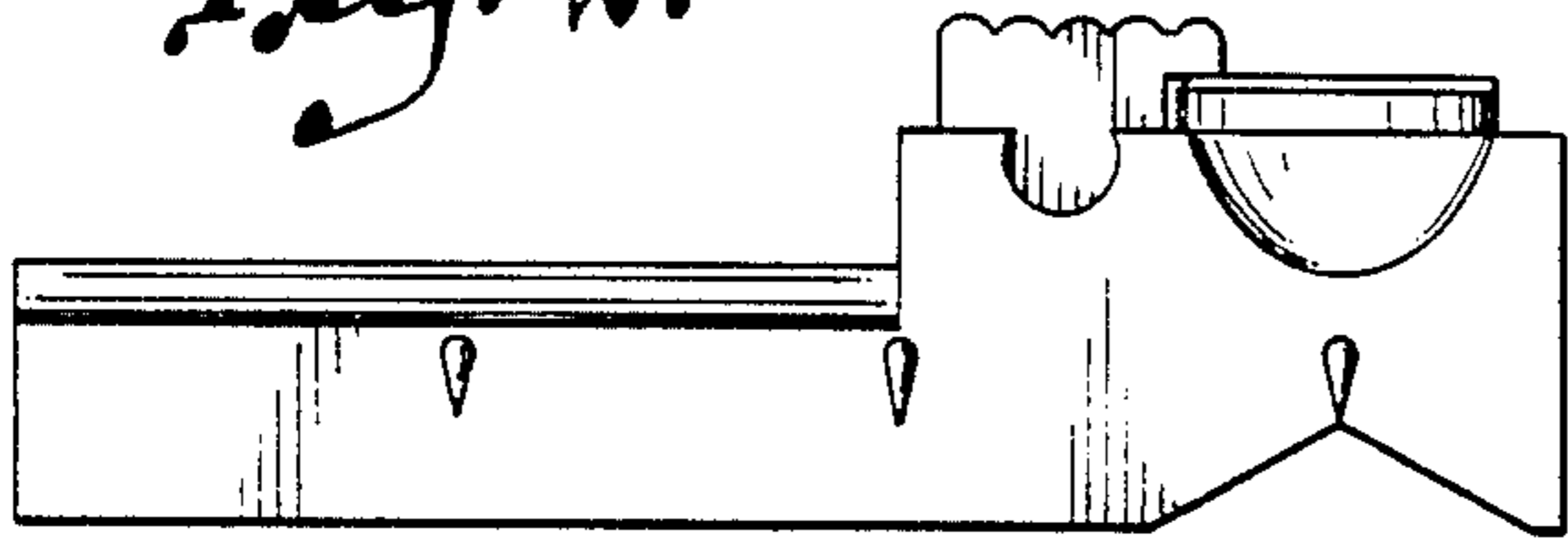
FIG. 7 is a left end elevational view thereof.



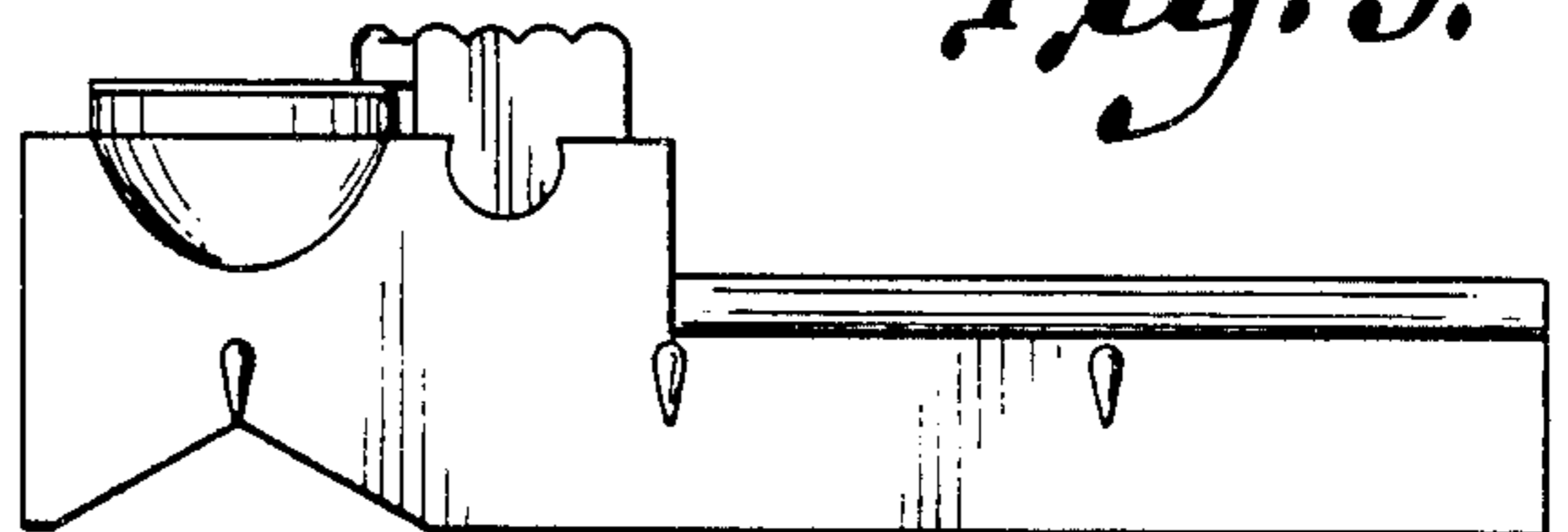
*Fig. 1.*



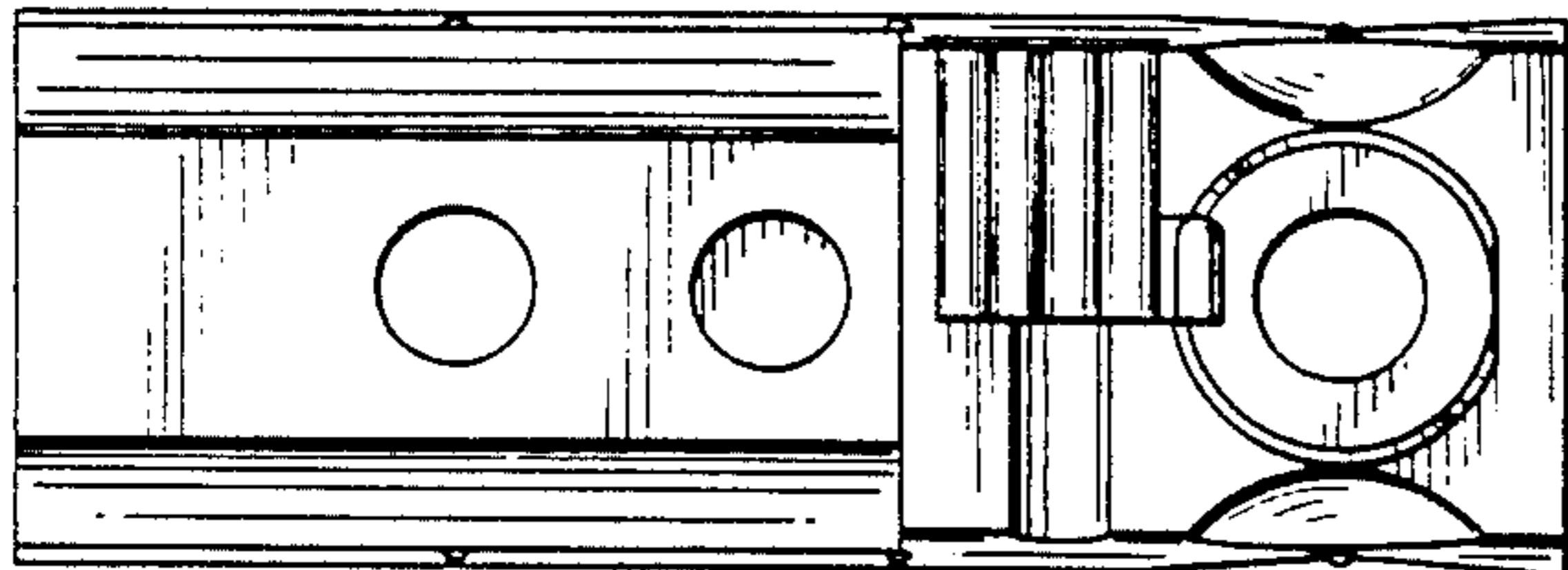
*Fig. 2.*



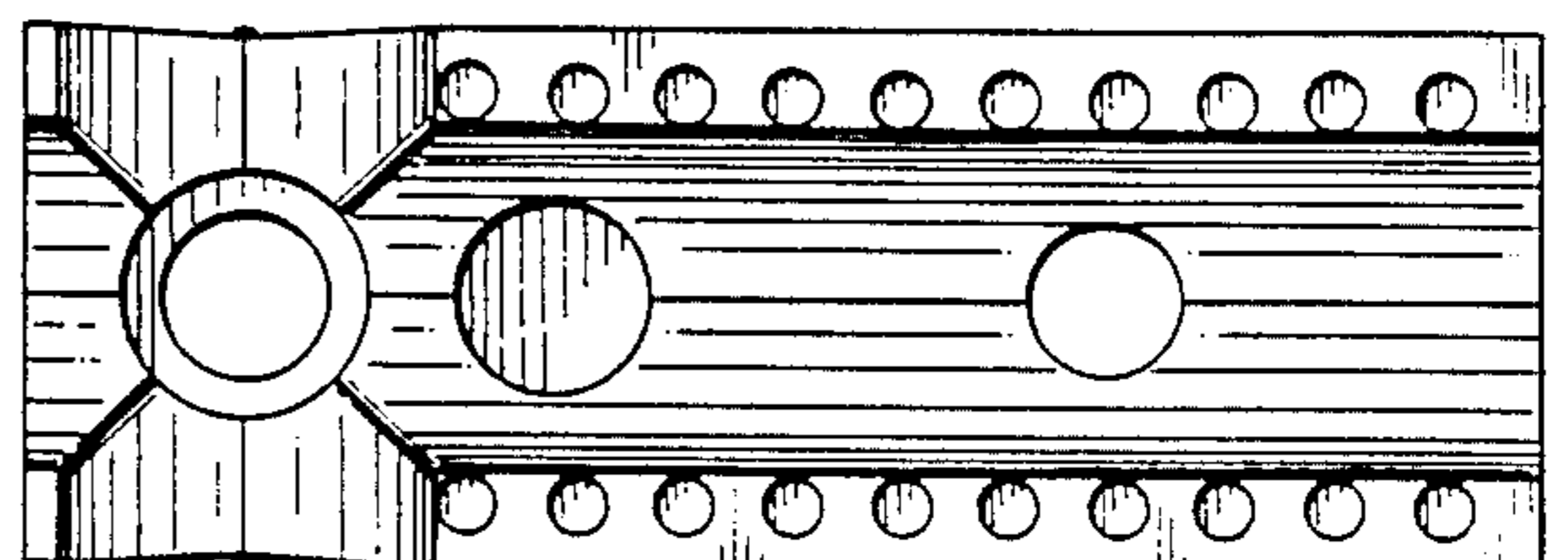
*Fig. 3.*



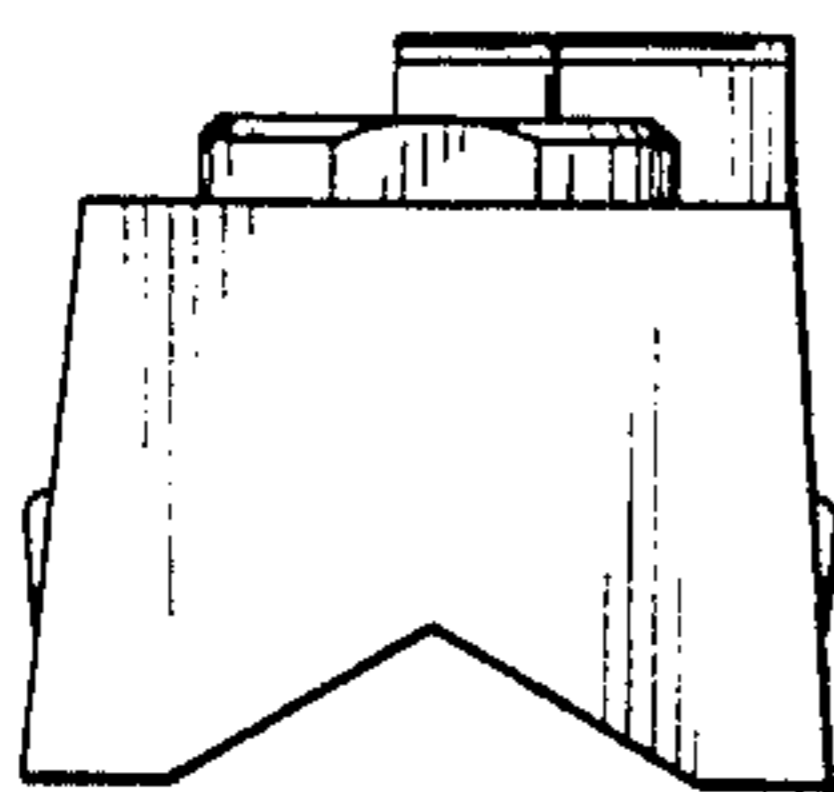
*Fig. 4.*



*Fig. 5.*



*Fig. 6.*



*Fig. 7.*

