

United States Patent [19]

Ebihara

[11] Patent Number: Des. 295,015

[45] Date of Patent: ** Apr. 5, 1988

[54] STAPLER

[75] Inventor: Yoshiyuki Ebihara, Tokyo, Japan

[73] Assignee: Etona Company, Limited, Tokyo, Japan

[**] Term: 14 Years

[21] Appl. No.: 704,418

[22] Filed: Feb. 22, 1985

[30] Foreign Application Priority Data

Aug. 28, 1984 [JP] Japan 59-35609

[52] U.S. Cl. D8/50

[58] Field of Search D8/49, 50; 227/120, 227/128

[56] References Cited

U.S. PATENT DOCUMENTS

D. 118,380 1/1940 Maynard D8/49

D. 164,375 8/1951 Marano D8/50

D. 215,692 10/1969 Glennon D8/50
2,859,443 11/1958 Jopp 227/124 X

Primary Examiner—Bernard Ansher

Assistant Examiner—Terry Pfeffer

Attorney, Agent, or Firm—Abelman Frayne Rezac & Schwab

[57] CLAIM

The ornamental design of a stapler, as shown and described.

DESCRIPTION

FIG. 1 is a top, front, right side perspective view of a stapler, showing my new design;
FIG. 2 is a front elevation view thereof;
FIG. 3 is a back elevation view thereof;
FIG. 4 is a top plan view thereof;
FIG. 5 is a bottom plan view thereof;
FIG. 6 is a side elevation view thereof;
FIG. 7 is a cross-sectional view taken along line 7—7 of FIG. 2.

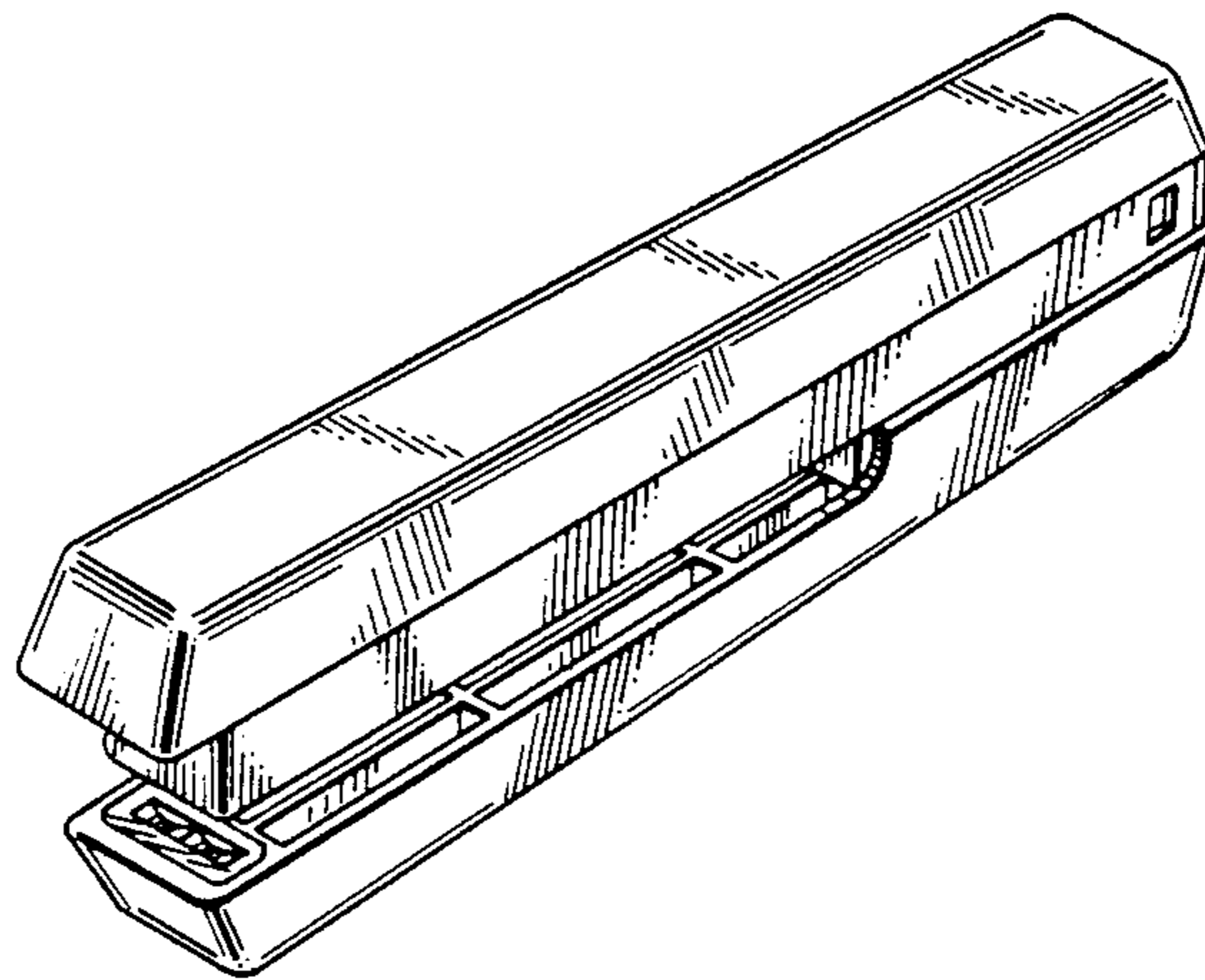


FIG. 1

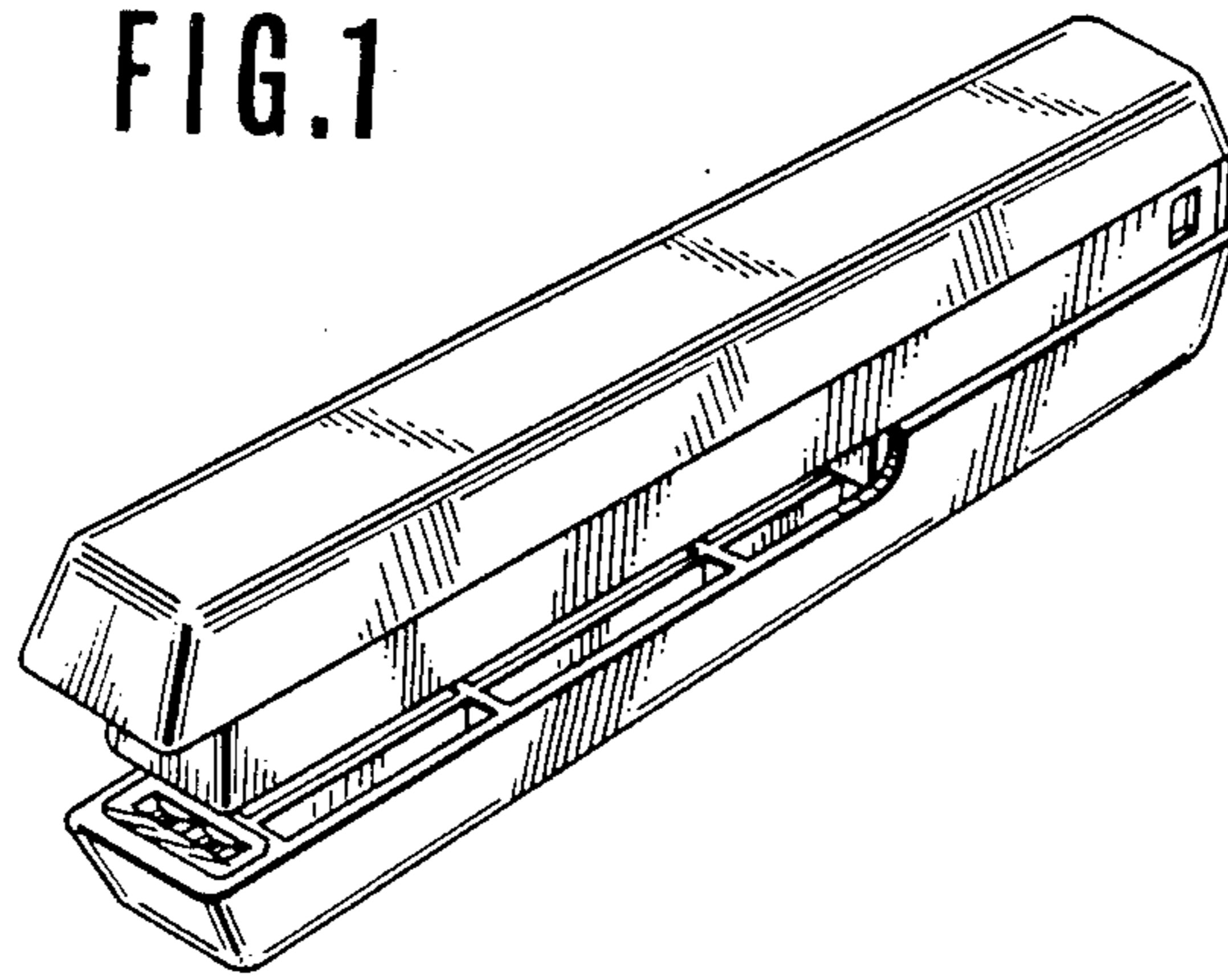


FIG. 2

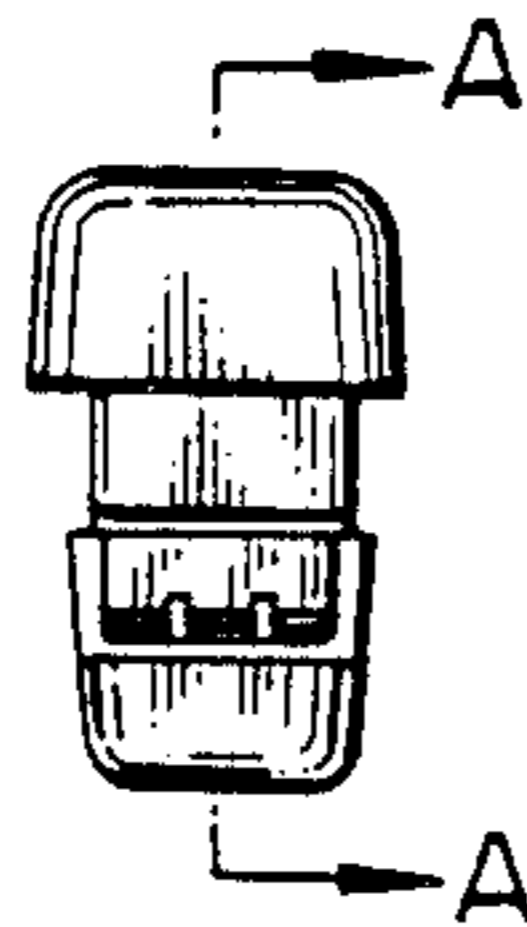


FIG. 3

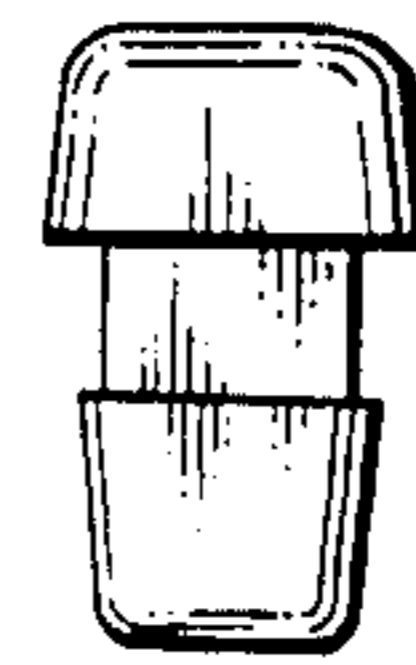


FIG. 4

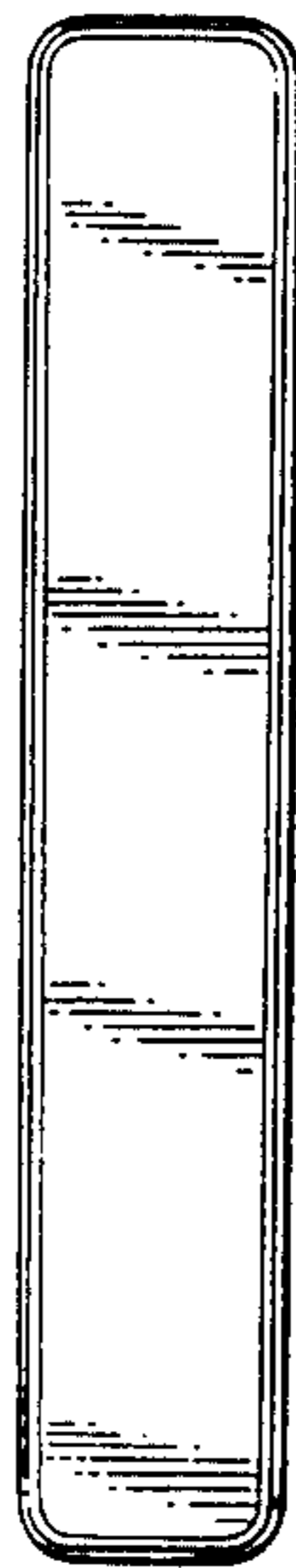


FIG. 5

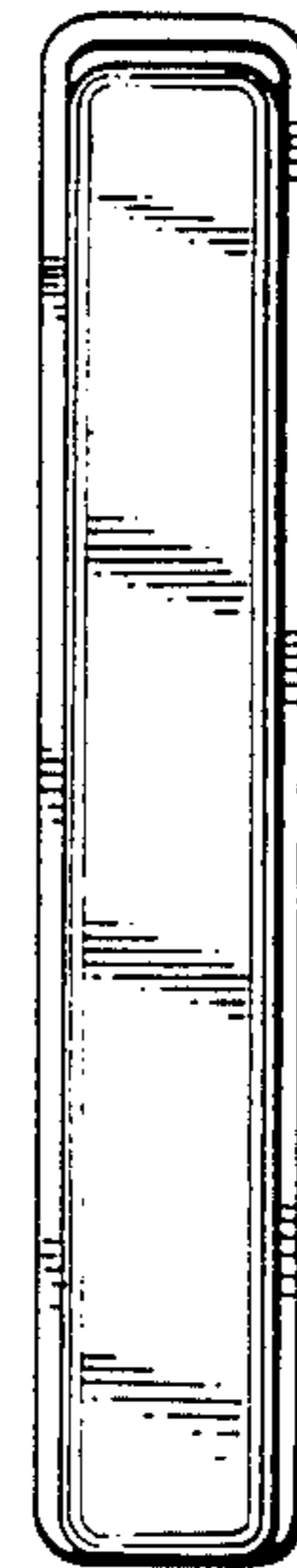


FIG. 6

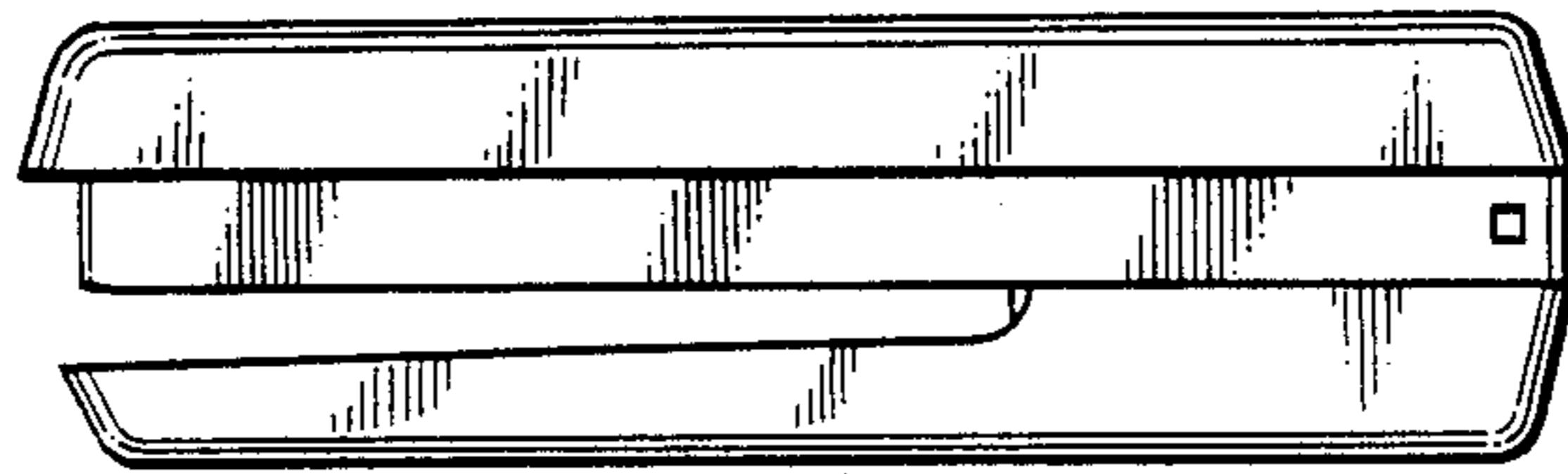


FIG. 7

