

# United States Patent [19]

Ebihara

[11] Patent Number: Des. 295,014

[45] Date of Patent: \*\* Apr. 5, 1988

[54] STAPLER

[75] Inventor: Yoshiyuki Ebihara, Tokyo, Japan

[73] Assignee: Etona Company, Limited, Tokyo, Japan

[\*\*] Term: 14 Years

[21] Appl. No.: 727,844

[22] Filed: Apr. 25, 1985

[30] Foreign Application Priority Data

Jan. 22, 1985 [JP] Japan ..... 60-1589

[52] U.S. Cl. .... D8/49

[58] Field of Search ..... D8/49, 50; 227/120, 227/128

[56] References Cited

### U.S. PATENT DOCUMENTS

D. 242,762 12/1976 Wolfe ..... D8/50

4,405,073 9/1983 Escalante ..... D8/50 X

Primary Examiner—Bernard Ansher

Assistant Examiner—Terry Pfeffer  
Attorney, Agent, or Firm—Abelman Frayne Rezac & Schwab

[57] CLAIM

The ornamental design of a stapler, as shown and described.

### DESCRIPTION

FIG. 1 is a front elevational view of a stapler showing my new design;

FIG. 2 is a top plan view thereof;

FIG. 3 is a right side elevational view thereof;

FIG. 4 is a rear elevational view thereof;

FIG. 5 is a bottom plan view thereof;

FIG. 6 is a top, front perspective view thereof;

FIG. 7 is a top, left side perspective view thereof;

FIG. 8 is a top, front, right side perspective view thereof;

FIG. 9 is a perspective view thereof in an open position for clarity of illustration; and

FIG. 10 is a cross-section taken along line 10—10 of FIG. 3.

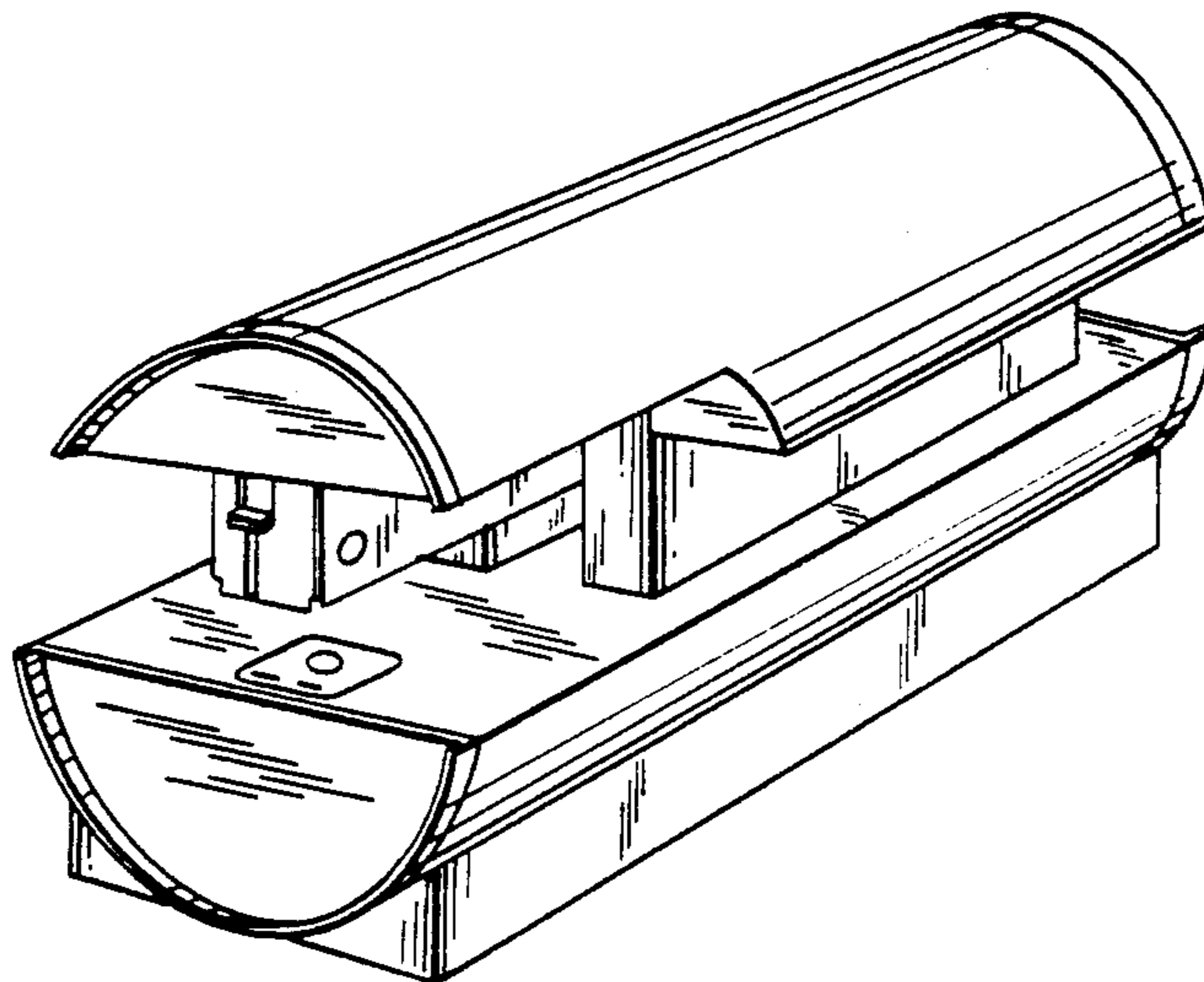


FIG. 1

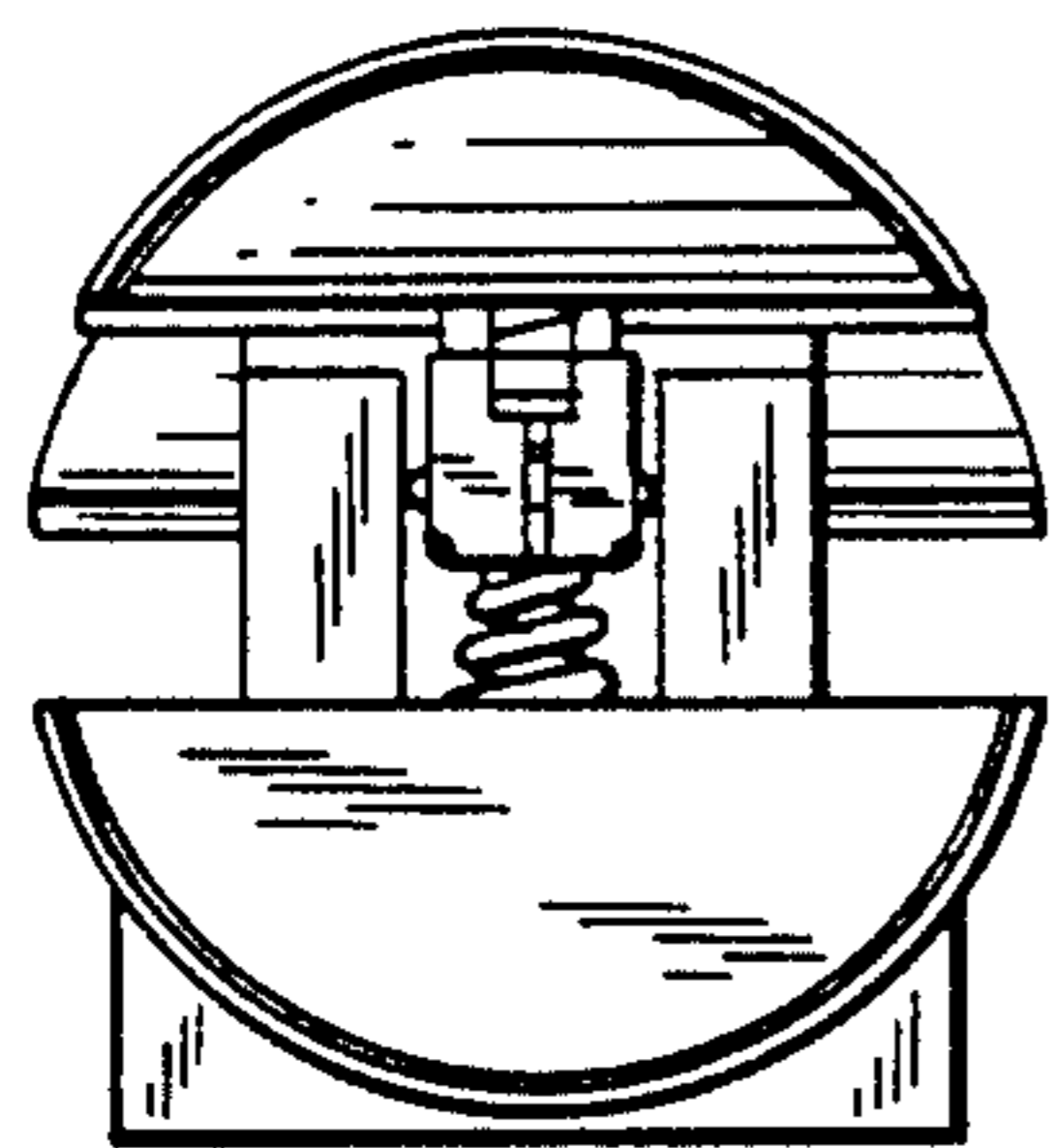


FIG. 2

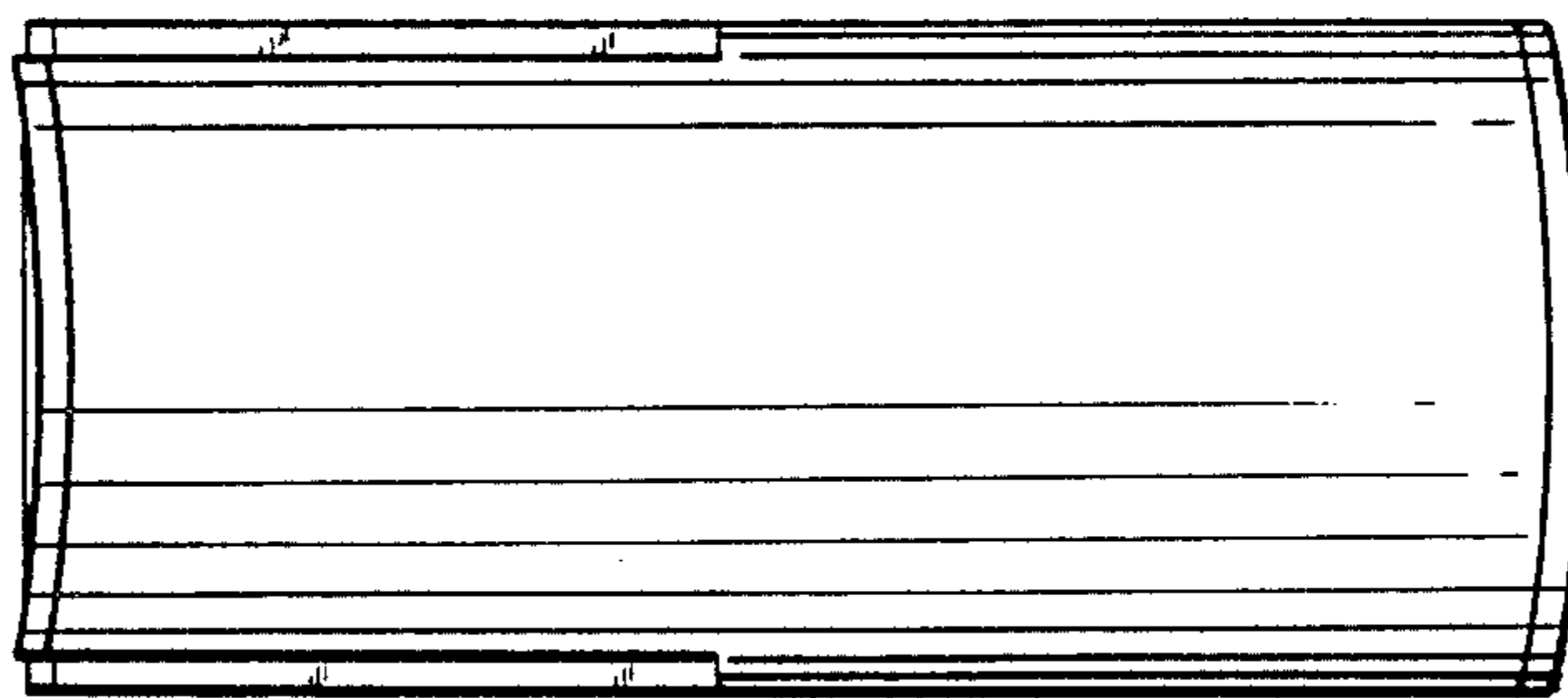
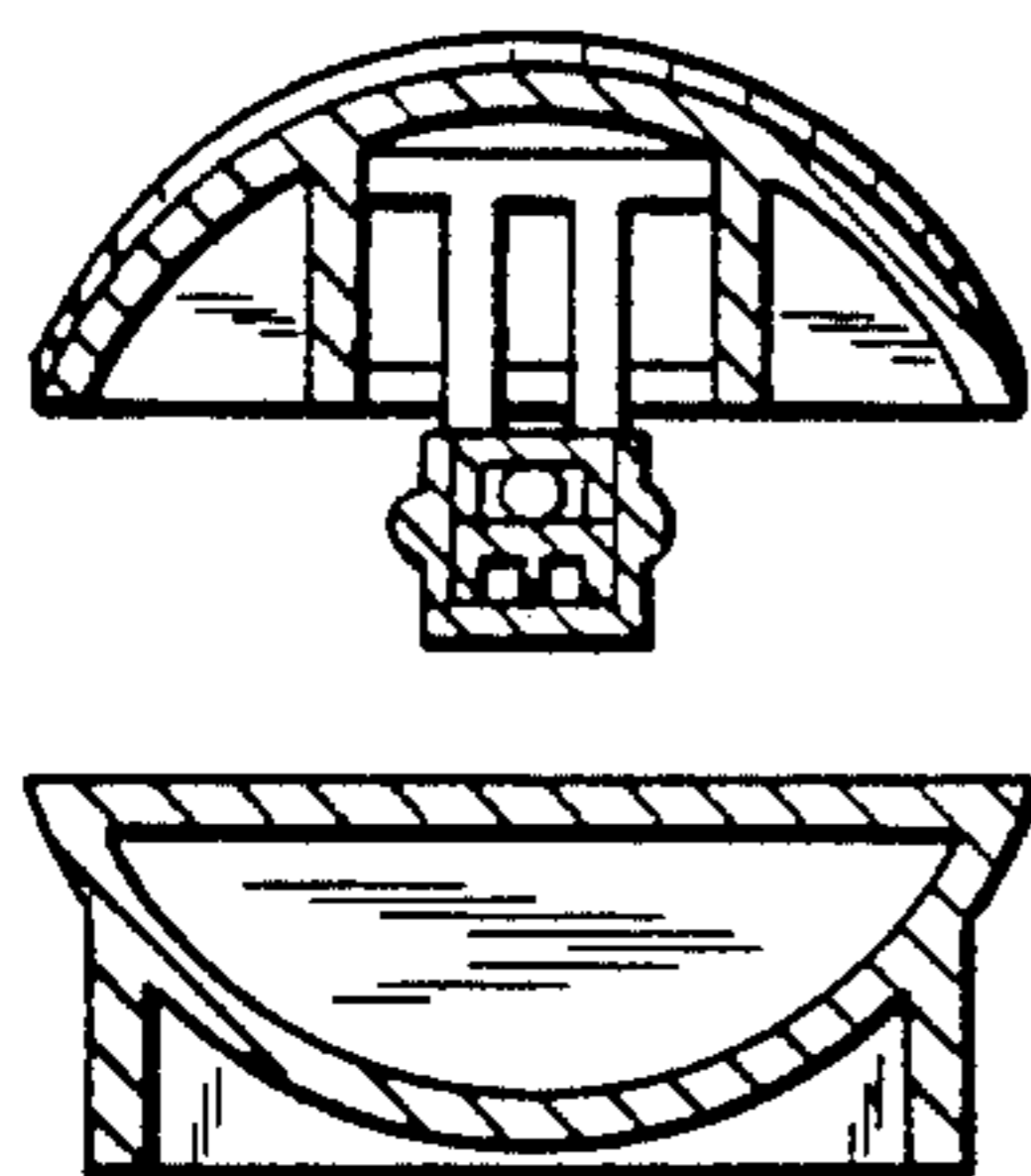
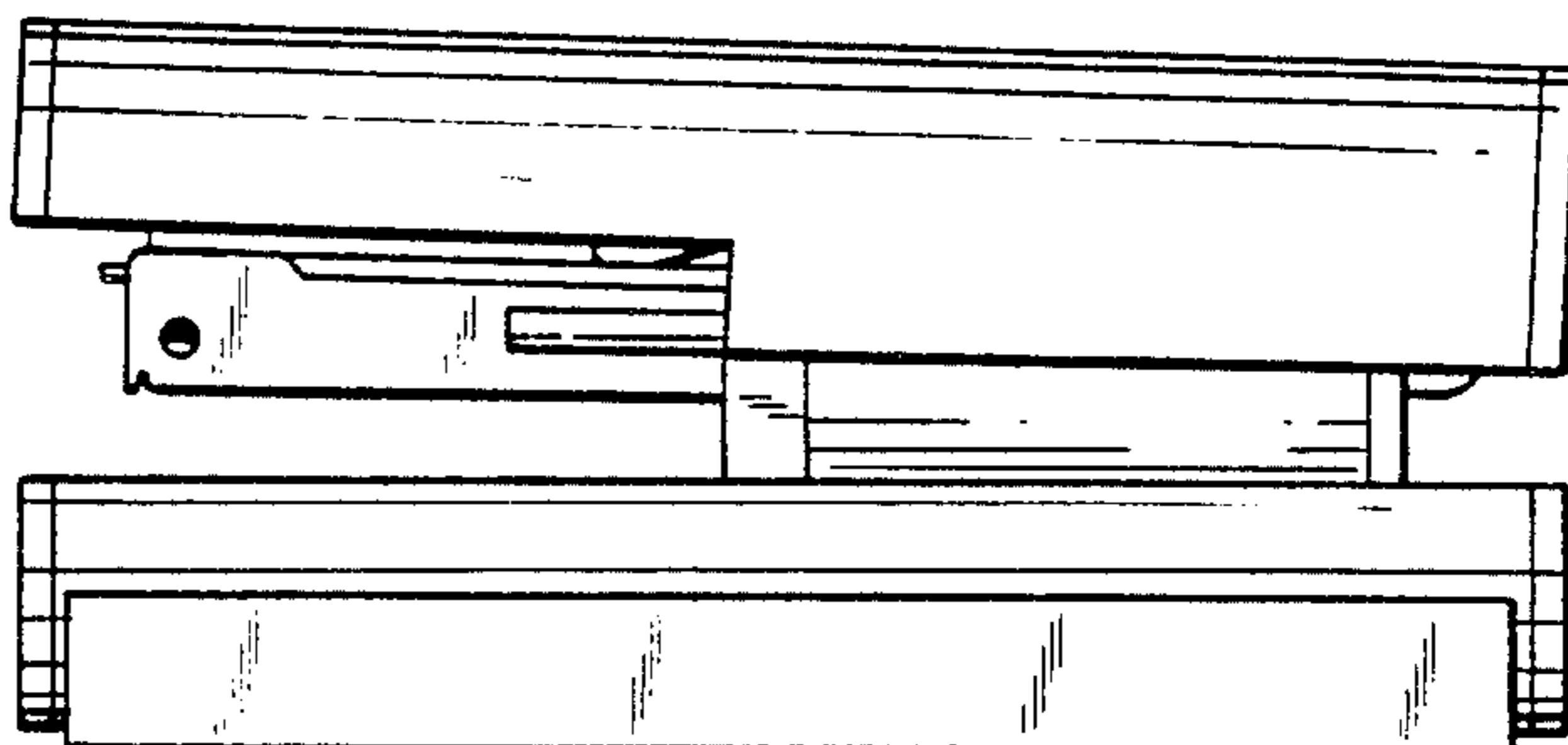


FIG. 10



10 ←

FIG. 3



10 ←

FIG. 4

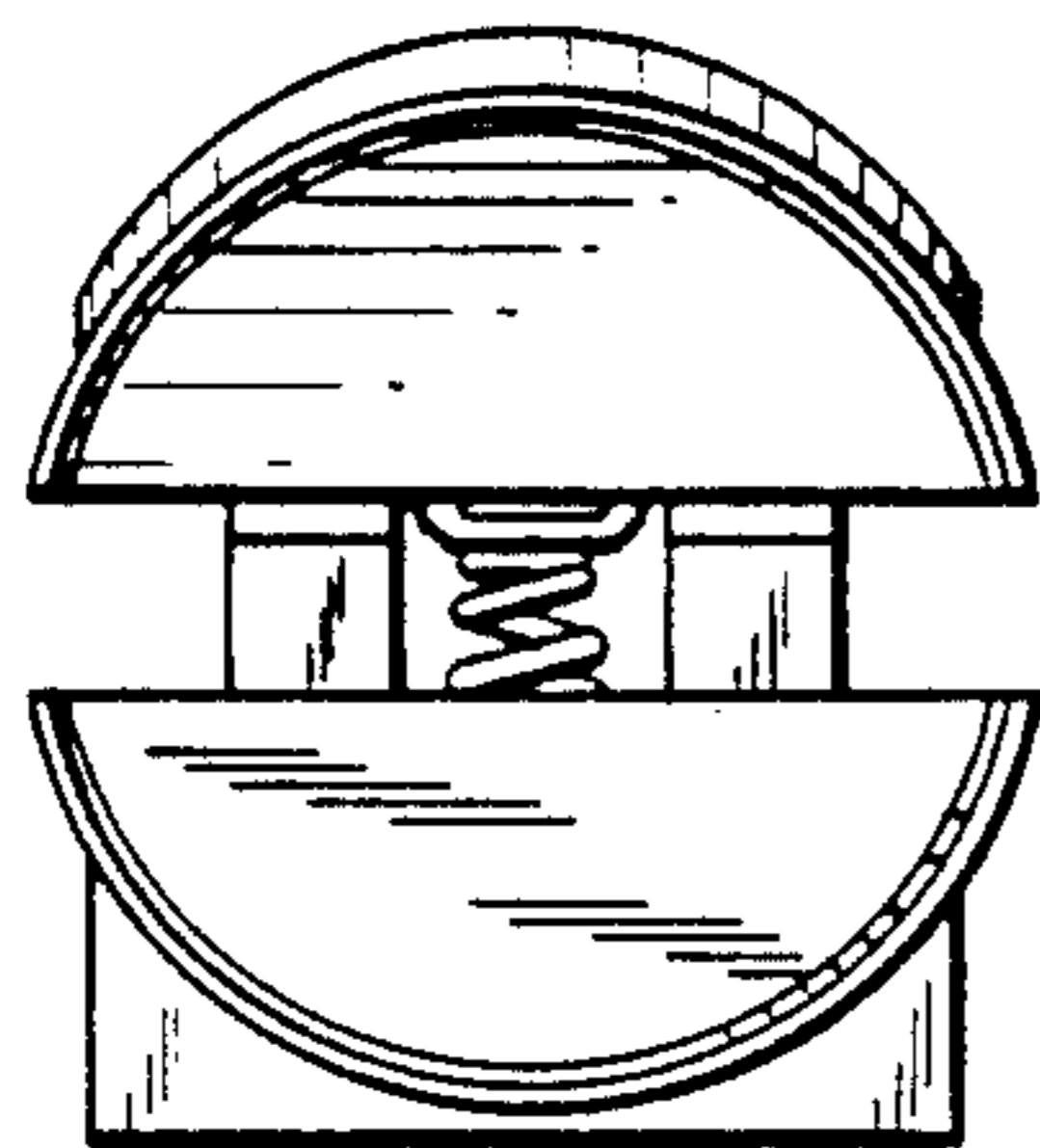


FIG. 5

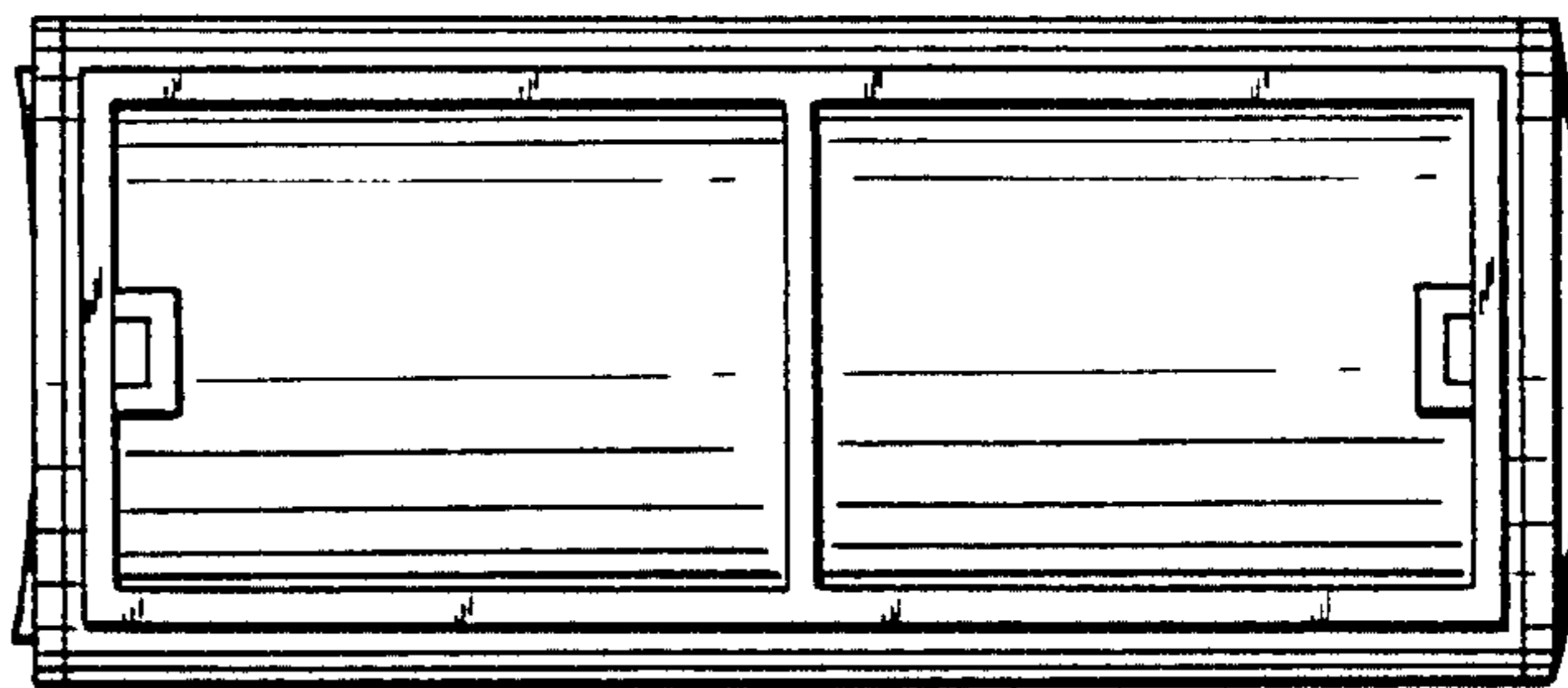


FIG. 6

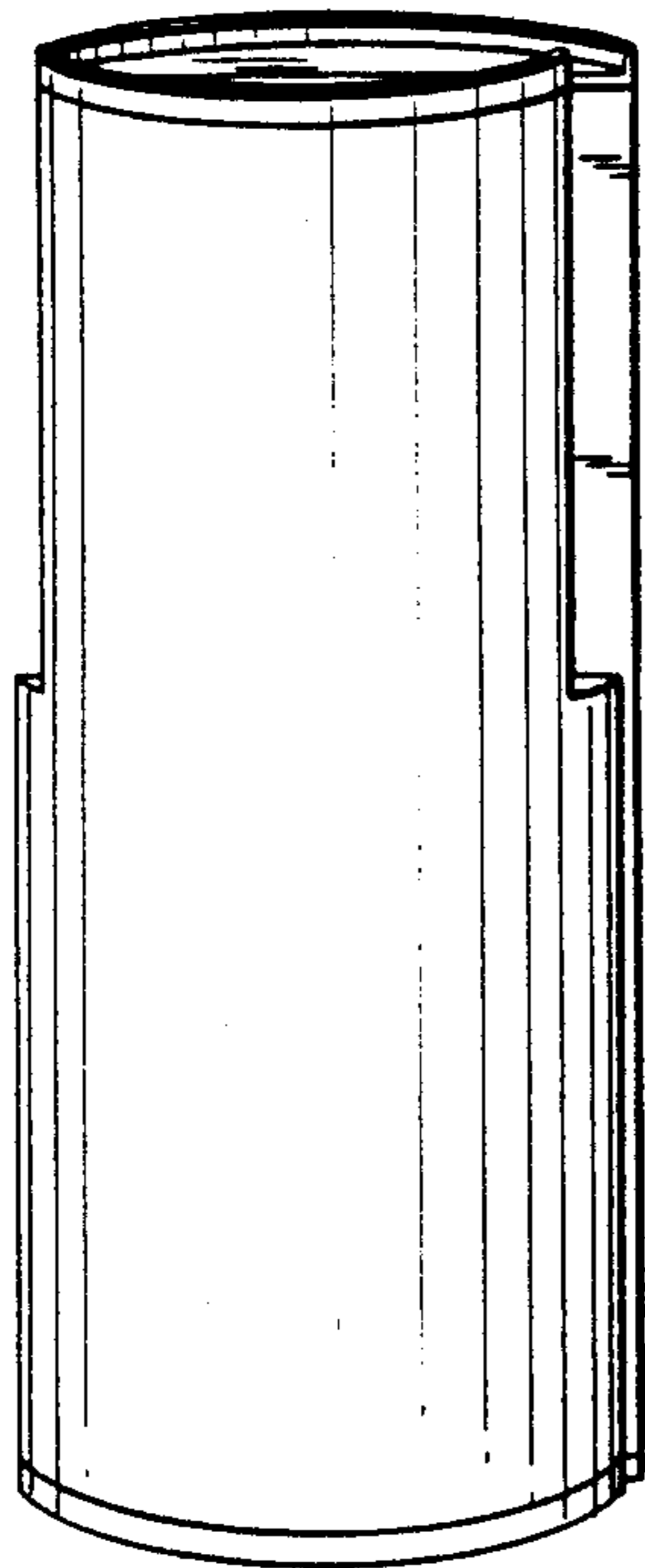


FIG. 7

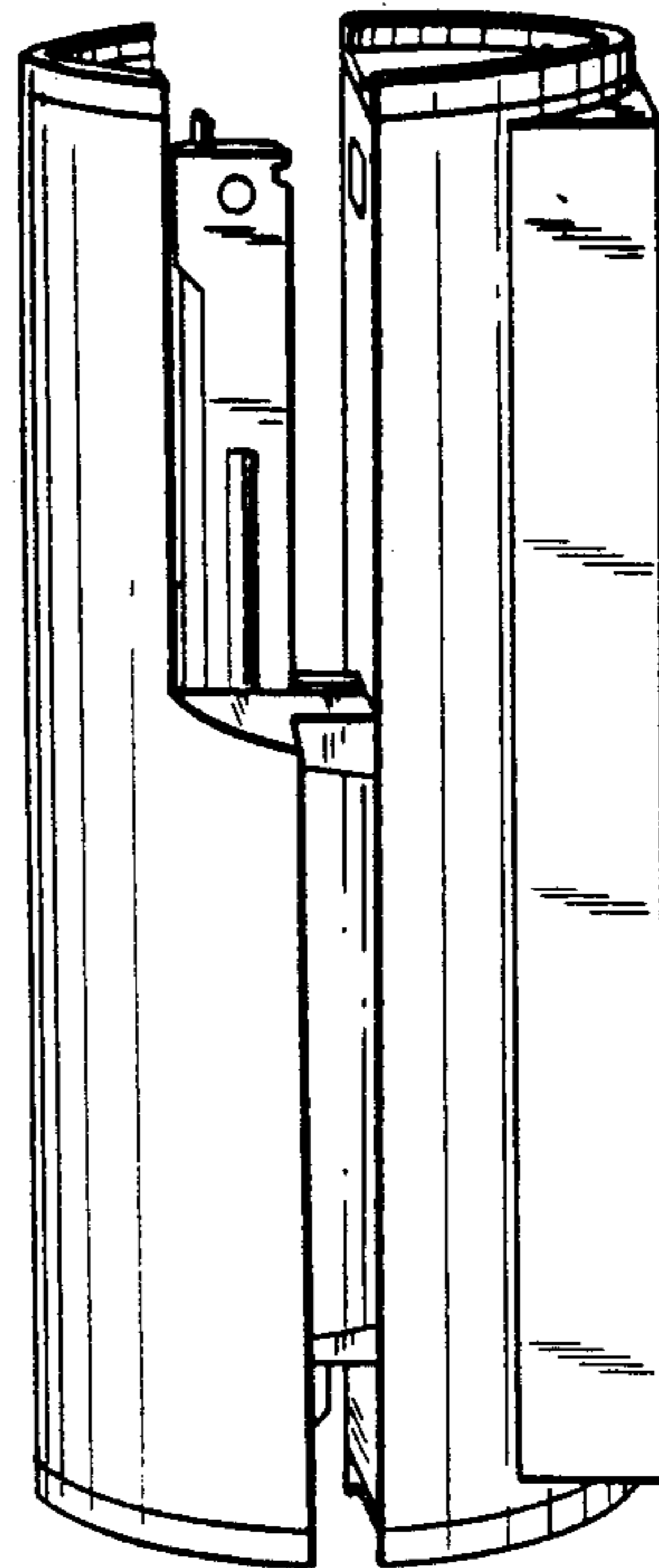


FIG. 8

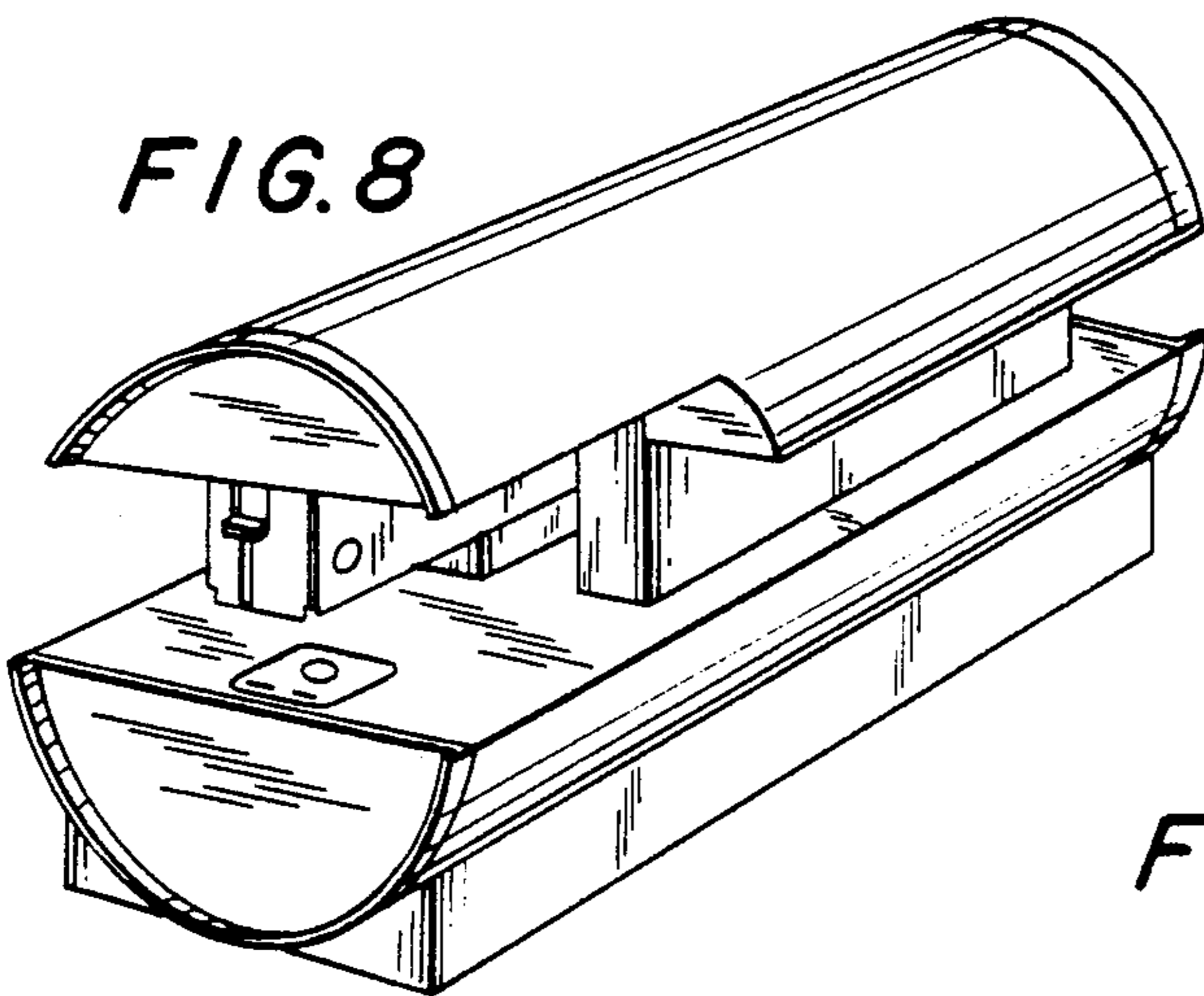


FIG. 9

