

- [54] MUG OR SIMILAR ARTICLE
- [75] Inventor: Richard M. Mansueto, North Dighton, Mass.
- [73] Assignee: Robert J. Doherty, Barrington, R.I.
- [**] Term: 14 Years
- [21] Appl. No.: 764,754
- [22] Filed: Aug. 12, 1985

2,149,612	3/1939	Madsen	220/85 D
2,591,606	4/1952	Reed	D7/6 X
2,646,200	7/1953	Atkins	D7/6 X
3,297,186	1/1967	Wells	428/35 X
3,403,618	10/1968	Lagg	D7/39 X
3,754,502	8/1973	Kaufman	D7/39 X

Related U.S. Application Data

- [63] Continuation of Ser. No. 487,525, Apr. 22, 1983, abandoned.
- [52] U.S. Cl. D7/6; D7/9
- [58] Field of Search D7/9, 10, 11, 13, 8, D7/6, 15, 14, 312; 220/90.2, 90.4, 94 A, 85 D; 99/290; 206/5

References Cited

U.S. PATENT DOCUMENTS

213,455	3/1879	Schenck	220/90.2
D. 220,712	5/1971	Refsgaard	D7/9
D. 233,973	12/1974	Jensen	D9/375 X
D. 235,182	5/1975	Capron	D7/9 X
D. 242,517	11/1976	Capron	D7/52 X
D. 277,354	1/1985	Levine	D7/9
D. 282,615	2/1986	Levine	D7/9
D. 283,385	4/1986	Mansueto	D7/9
D. 283,386	4/1986	Mansueto	D7/9
1,276,018	8/1918	Blaetus	220/85 D

OTHER PUBLICATIONS

Hall Service China, cat. #SM-373, p. 3, right col., Coffee Mug #2442 7oz., 2nd up from bottom right corner. Good Housekeeping, Nov. 1983, p. 82, bottom left panel, Tea-Mug with "Pouch", by Levine.

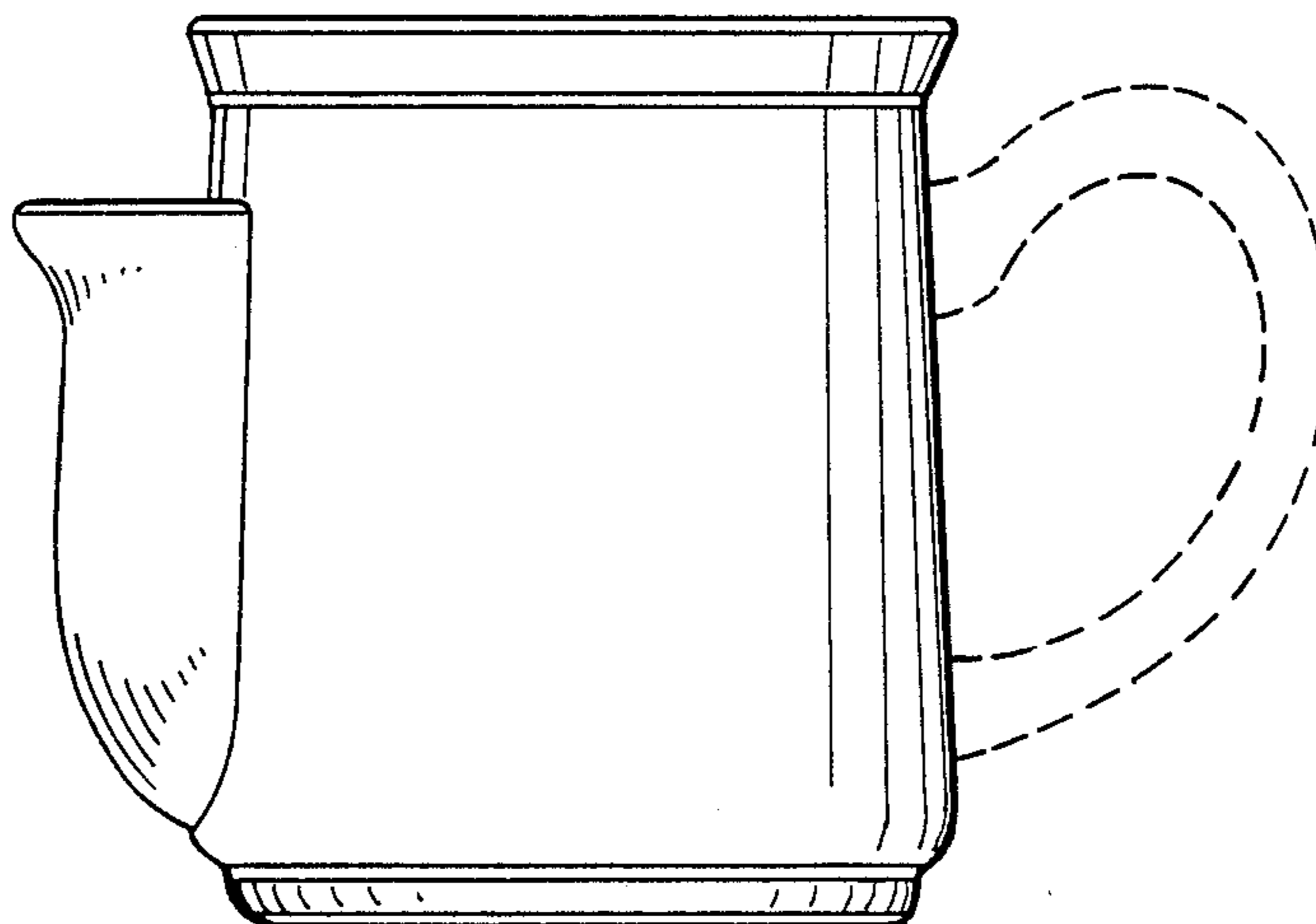
Primary Examiner—Winifred E. Herrmann
Attorney, Agent, or Firm—Robert J. Doherty

CLAIM

[57] The ornamental design for a mug or similar article, substantially as shown and described.

DESCRIPTION

FIG. 1 is a top perspective view of a mug or similar article showing my new design; FIG. 2 is a rear elevational view thereof, the front elevational view being a mirror image thereof; FIG. 3 is a right side elevational view thereof; FIG. 4 is left side elevational view thereof; FIG. 5 is a top plan view thereof; and FIG. 6 is a bottom plan view thereof. The broken line showing of a handle in FIGS. 1, 2, 4, 5 and 6 is for illustrative purposes only and forms no part of the claimed design.



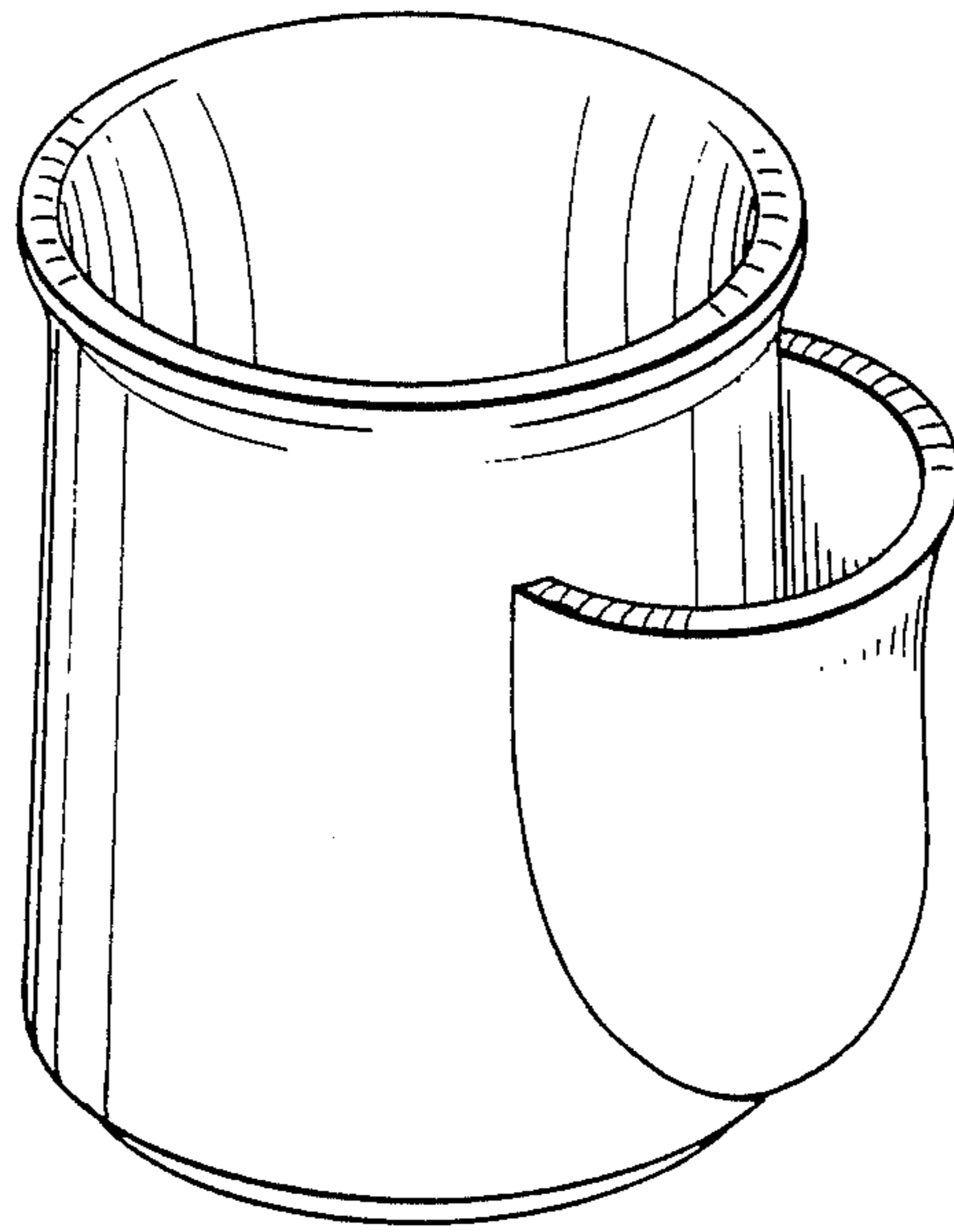


FIG. 1

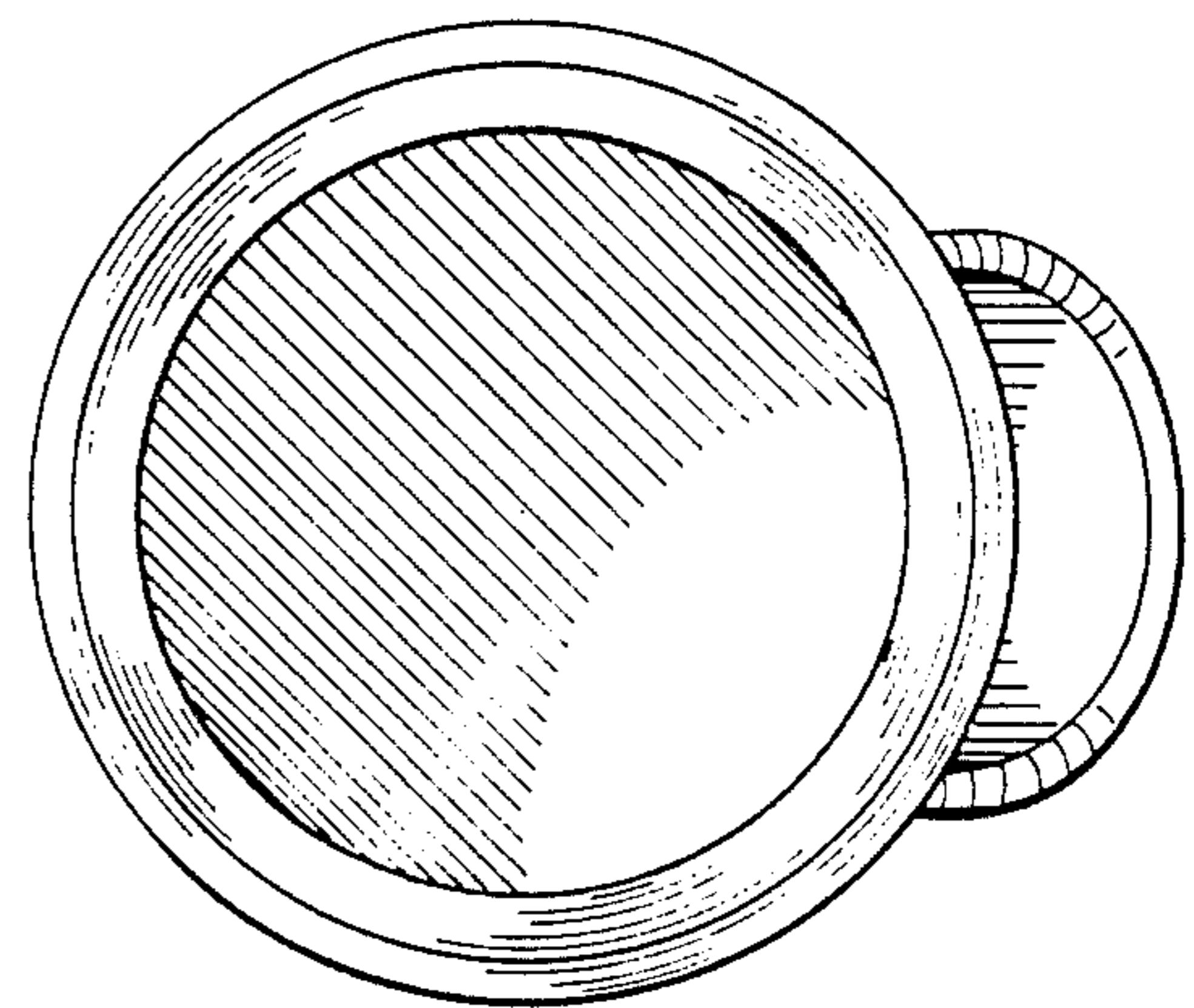


FIG. 5

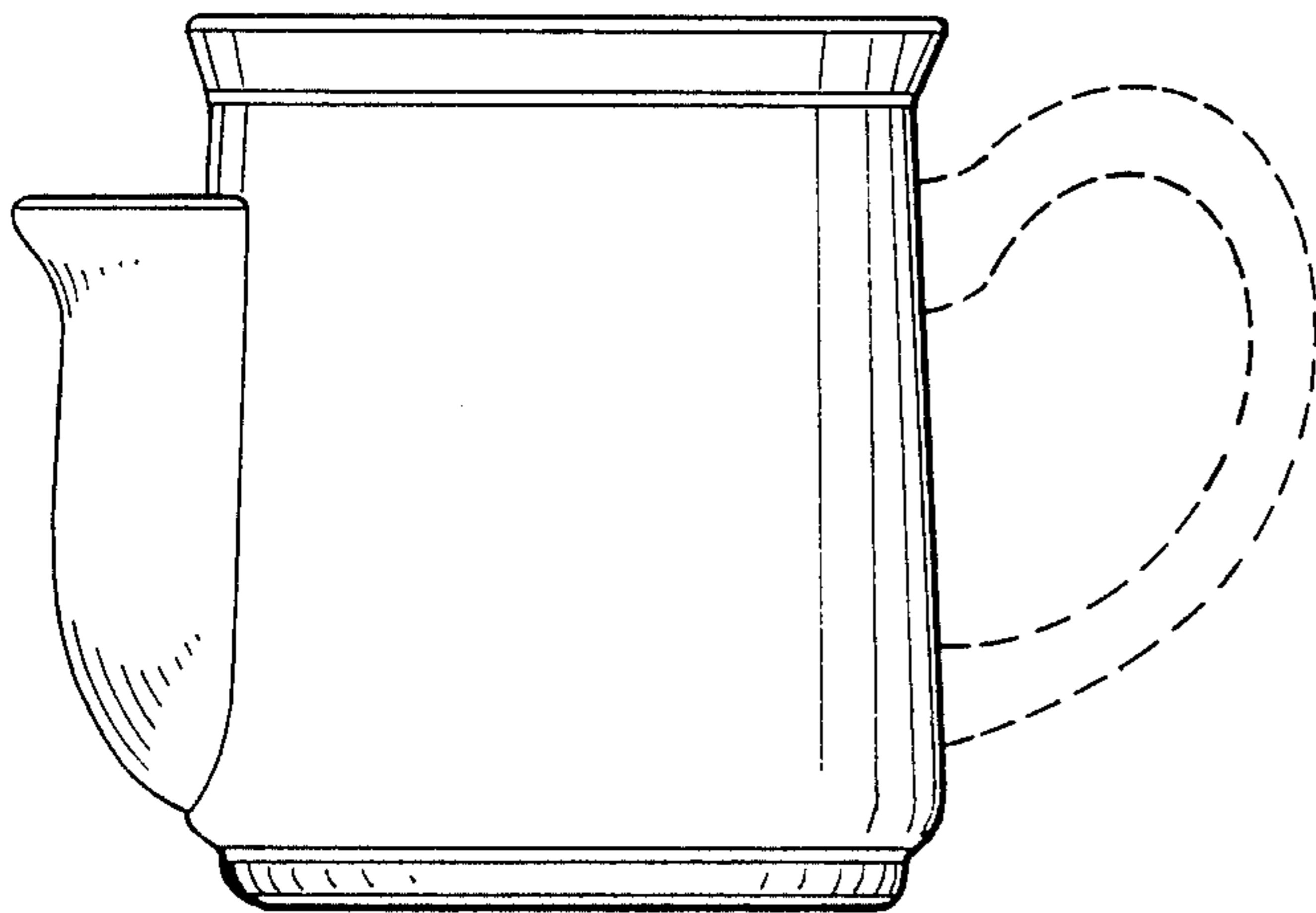


FIG. 2

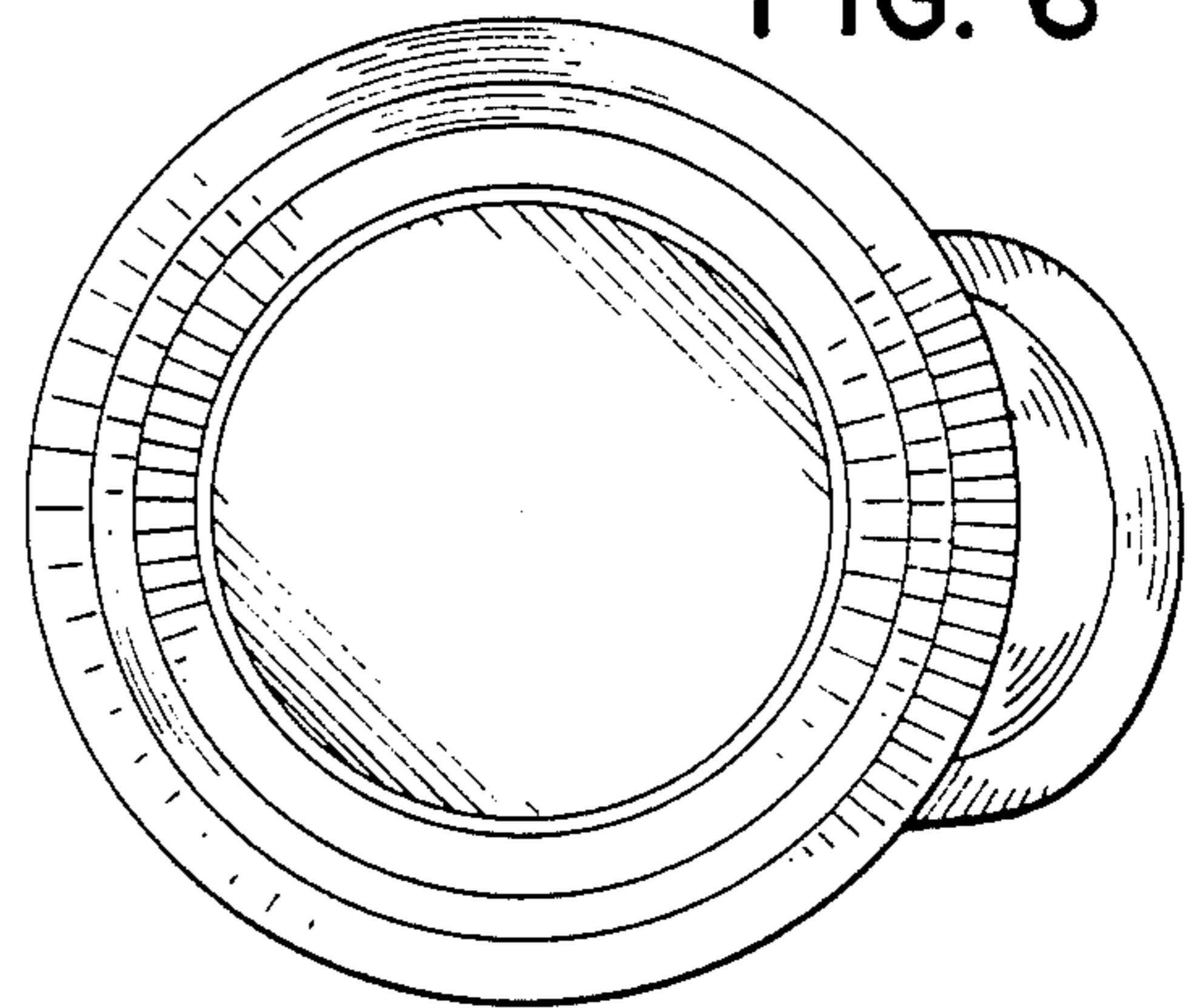


FIG. 6

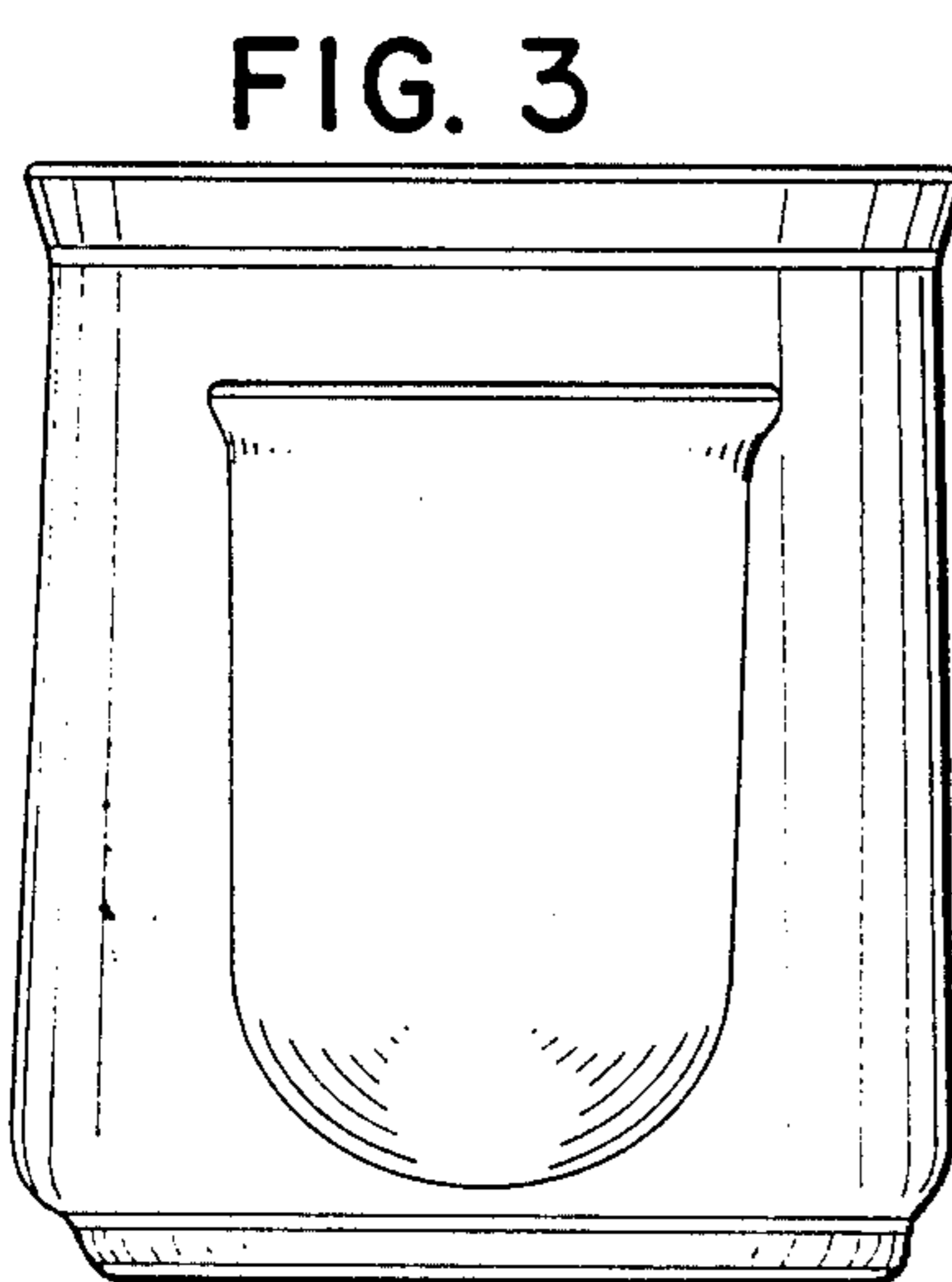


FIG. 3

FIG. 4

