

[54] WALL-MOUNTED FOLDABLE WORK BENCH

[75] Inventors: Robert E. Hardy, Harrisburg; Duane J. Walhof, Sioux Falls; Terry A. Adams, Sioux Falls; David A. Kocak, Sioux Falls; Donald J. Siglin, Sioux Falls; Richard R. Klock, Sioux Falls; William H. Hockenberry, Jr., Sioux Falls; William W. Cooper, Sioux Falls; Rick G. Klinkhammer, Lennox; Keith M. Polzin, Sioux Falls; Richard W. Wickstrom, Beresford; Delmar E. Ostrem; Monte L. Peters, both of Sioux Falls, all of S. Dak.

[73] Assignee: Sioux Steel Company, Sioux Falls, S. Dak.

[\*\*] Term: 14 Years

[21] Appl. No.: 758,291

[22] Filed: Jul. 22, 1985

[52] U.S. Cl. .... D6/555

[58] Field of Search ..... D6/429, 430, 555, 559, D6/460, 362; 108/152; 182/222, 223

[56] References Cited

U.S. PATENT DOCUMENTS

D. 174,785	5/1955	Tompkins, Jr. ....	D6/555
D. 183,978	11/1958	Smith .....	D6/555
D. 188,544	8/1960	Carothers .....	D6/555
D. 199,569	11/1964	Bodenbach .....	D6/555
D. 274,105	6/1984	Brescia et al. ....	D6/555
D. 287,800	1/1987	Lance .....	D6/559
3,990,537	11/1976	Swenson .....	D6/362 X

Primary Examiner—Bruce W. Dunkins  
Attorney, Agent, or Firm—Allegretti, Newitt, Witcoff & McAndrews, Ltd.

[57] CLAIM

The ornamental design for a wall-mounted foldable work bench, as shown and described.

DESCRIPTION

FIG. 1 is a perspective view of a wall-mounted foldable work bench showing our new design in position for use; FIG. 2 is a right side elevational view thereof, the left side elevational view being a substantial mirror image thereof; FIG. 3 is a top plan view thereof; FIG. 4 is a front plan view thereof; FIG. 5 is a rear plan view thereof; FIG. 6 is a bottom plan view thereof; and FIG. 7 is a perspective view thereof shown with the work platform in the folded down position. The broken lines shown in FIGS. 1, 2, 3, 6 and 7 are for illustrative purposes only.

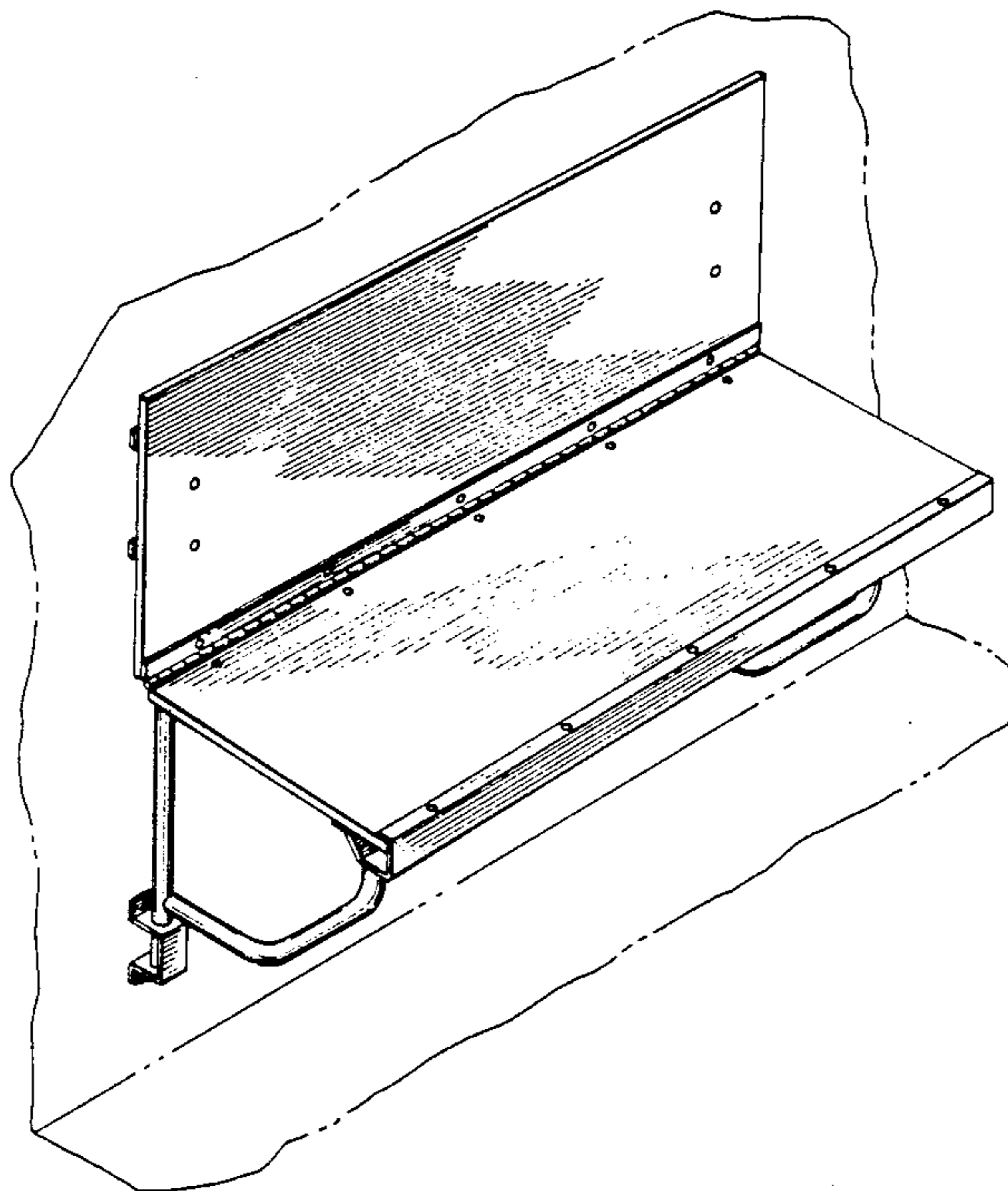


Fig. 1

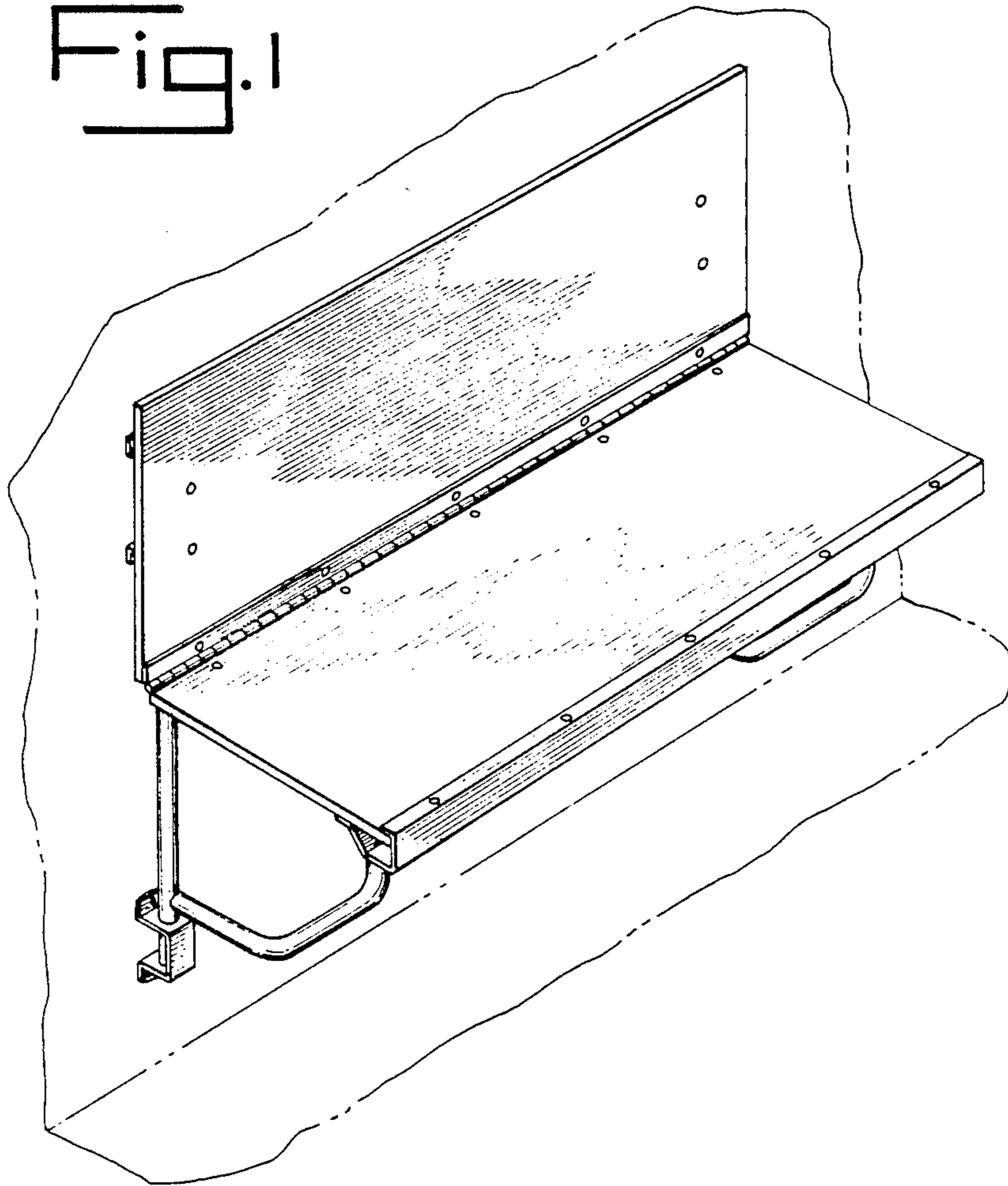


Fig. 2

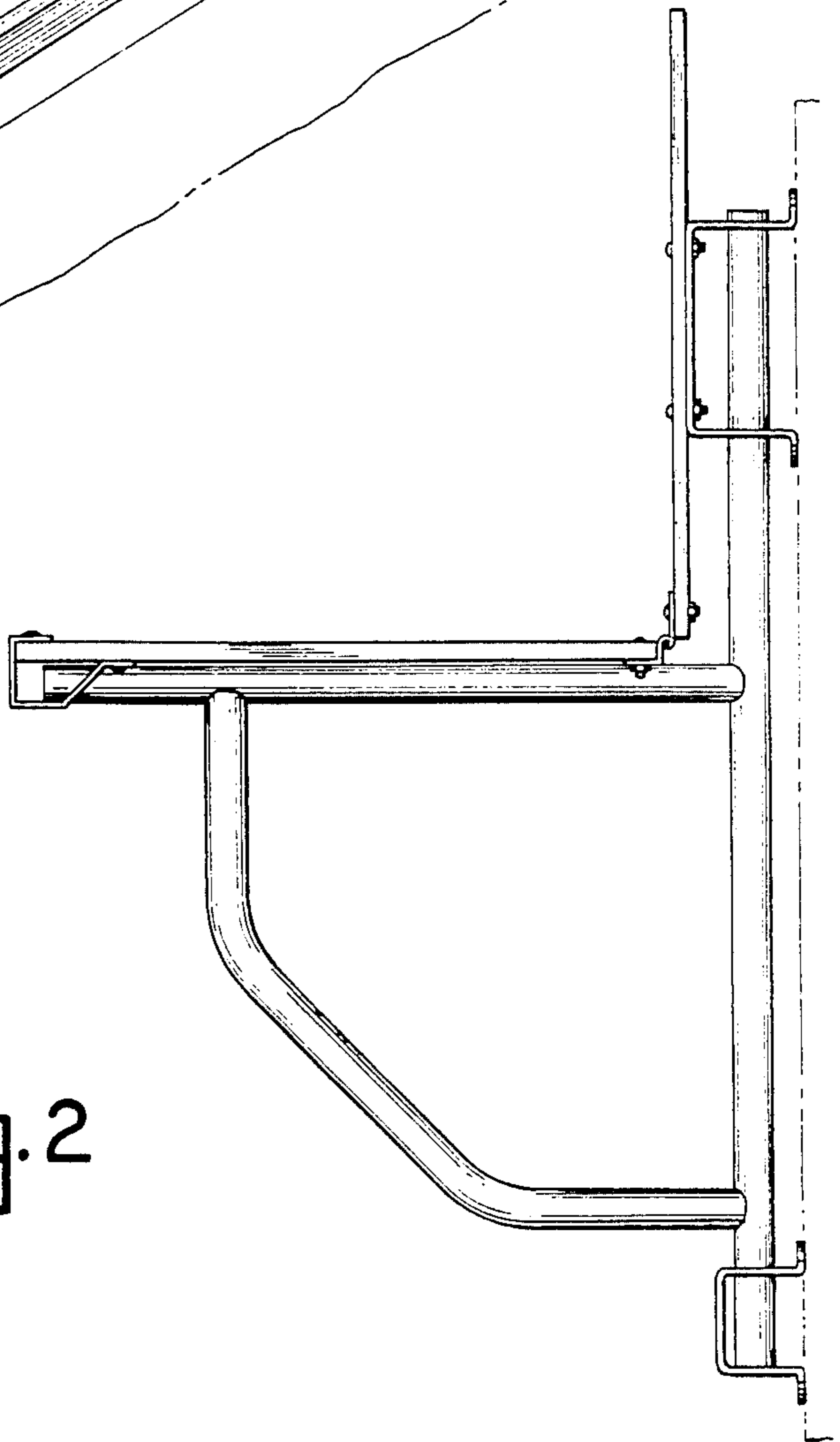


Fig. 3

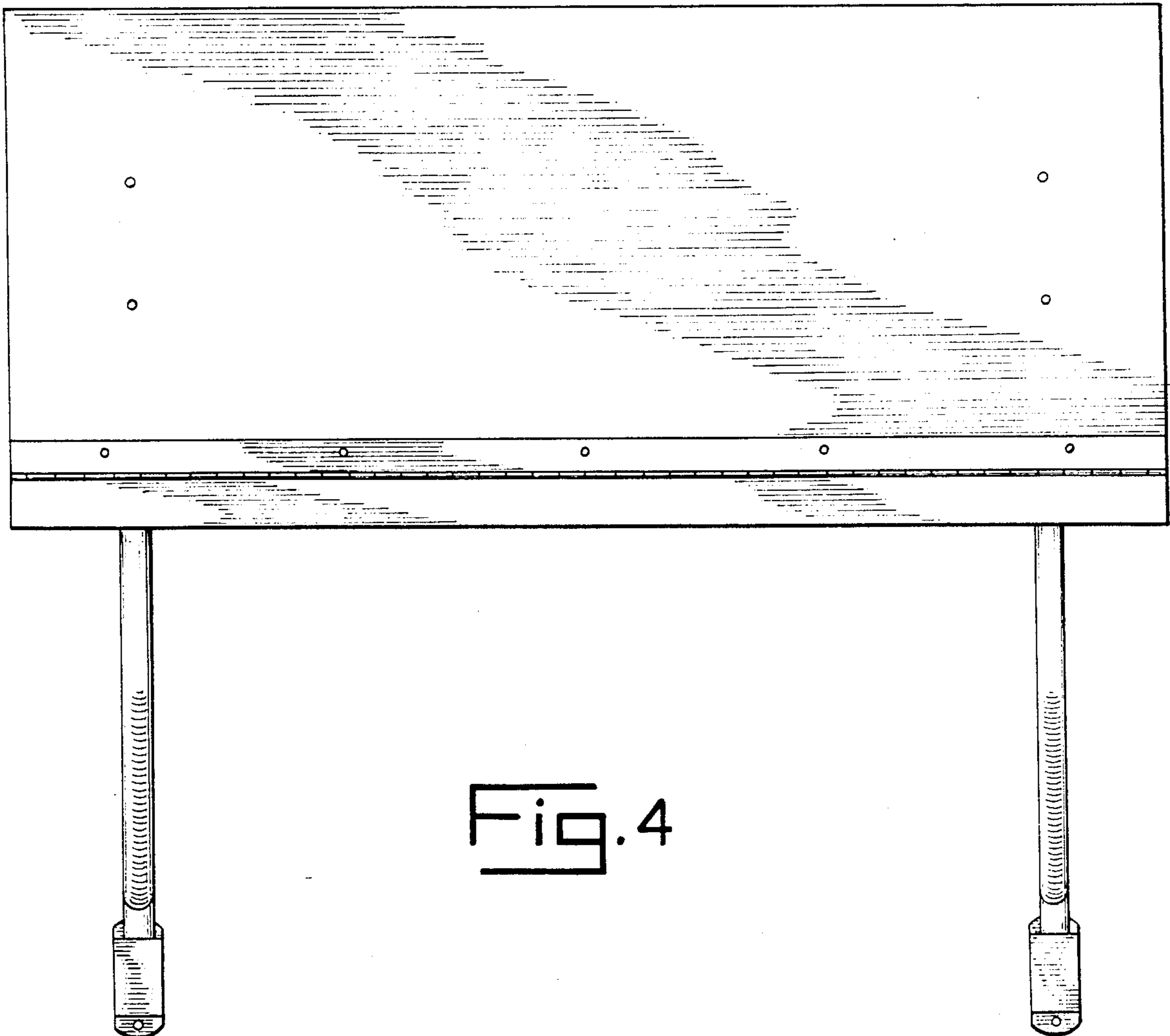
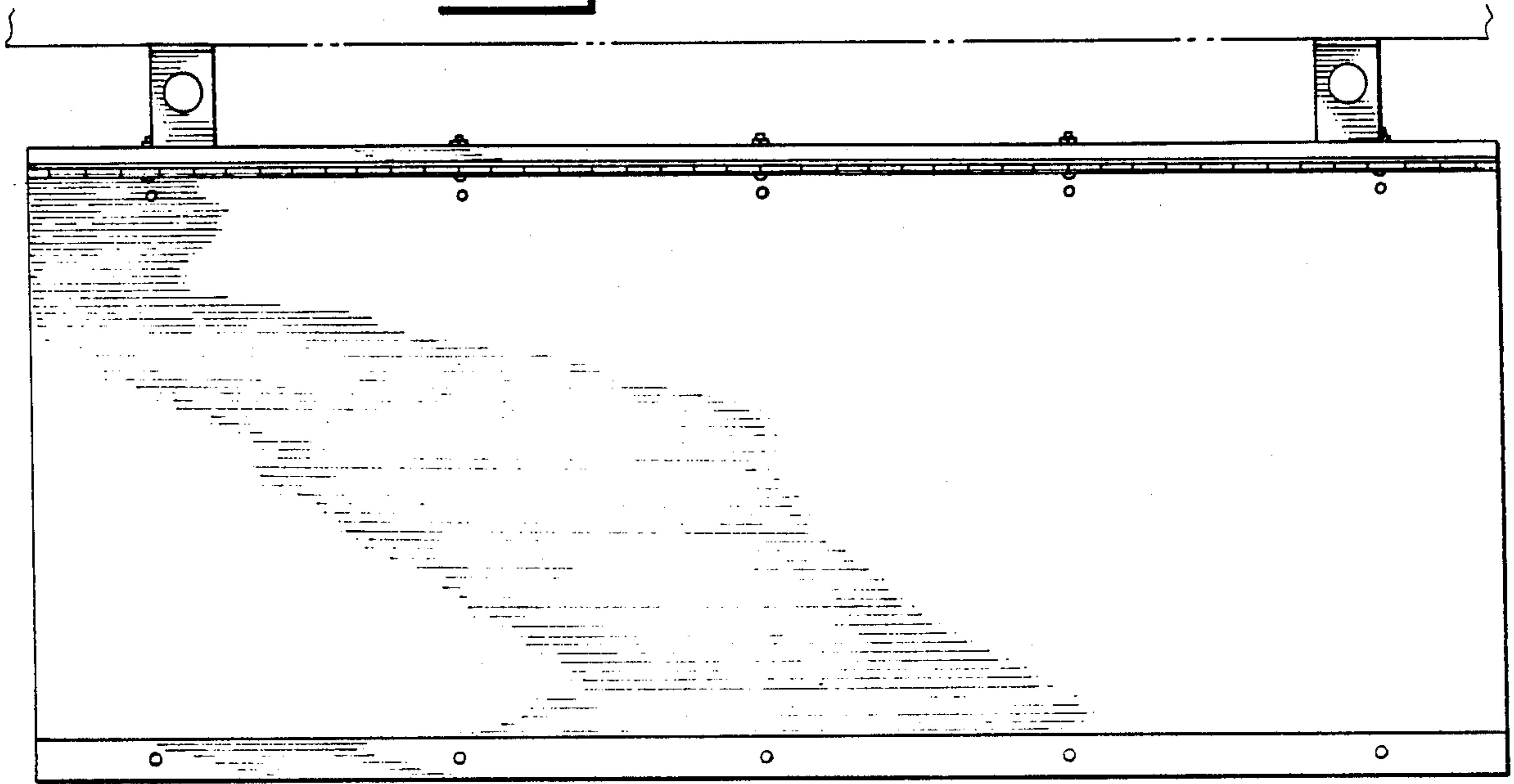


Fig. 4

Fig. 5

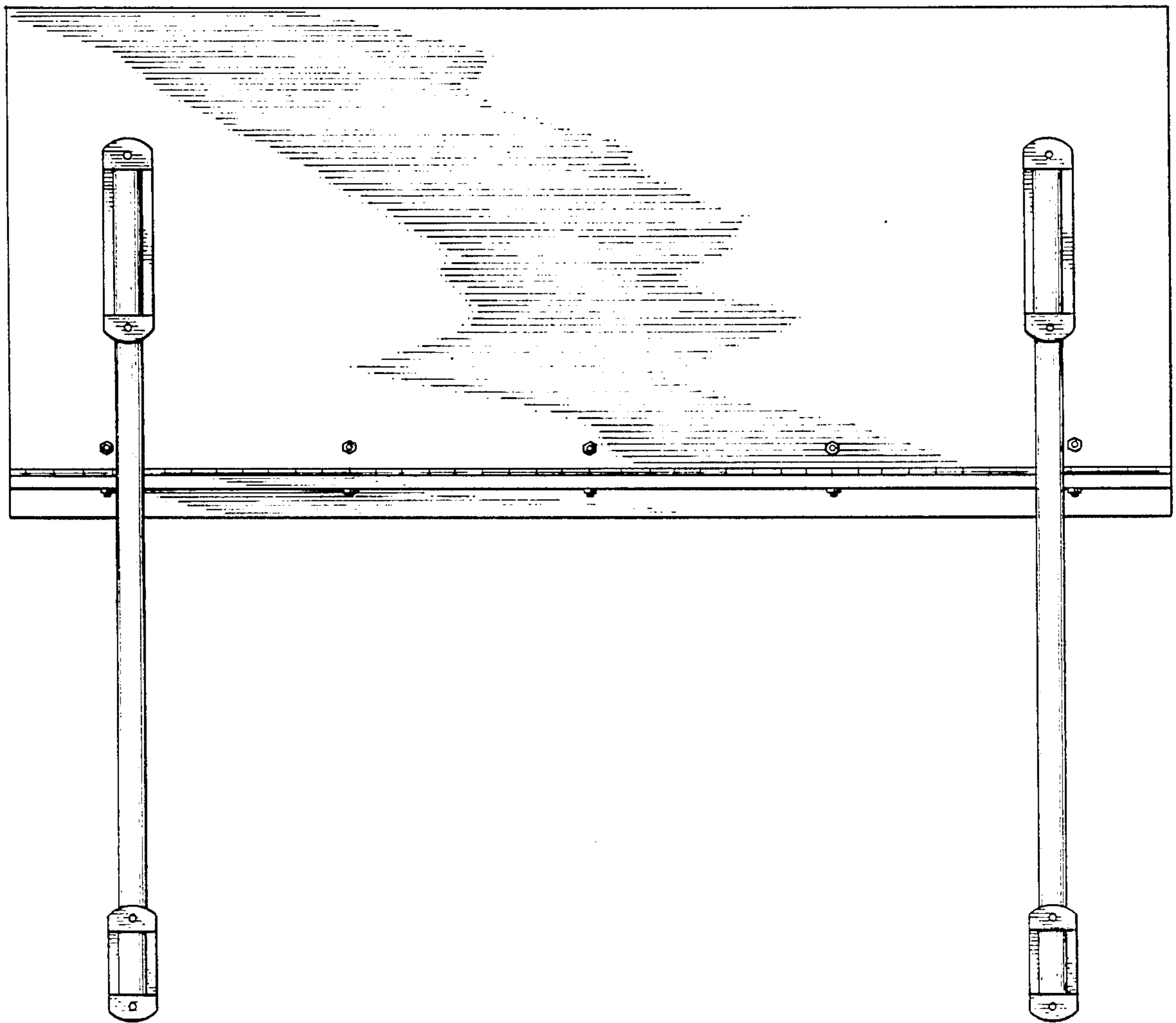


Fig. 6

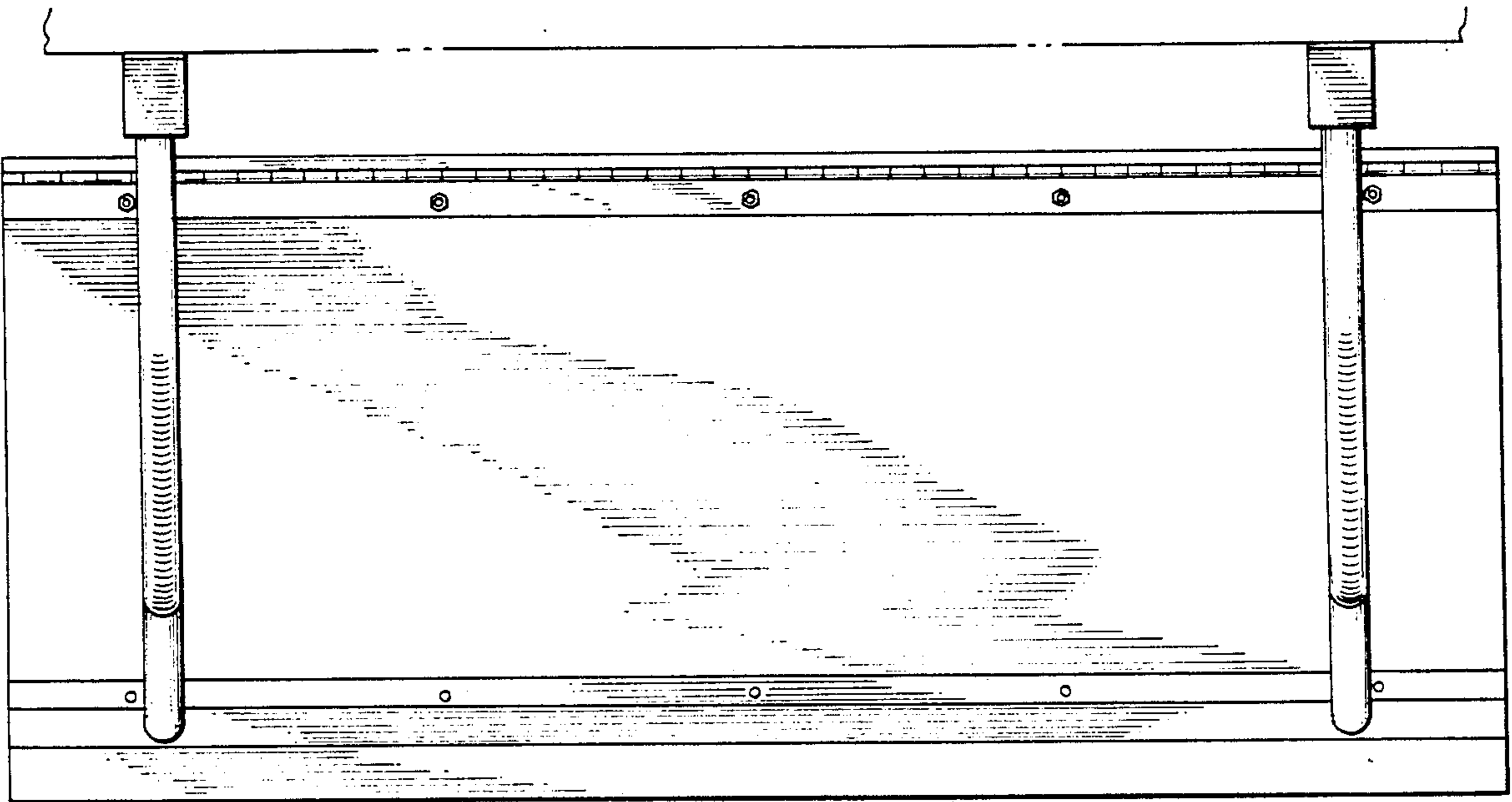


Fig. 7

