

[54] TABLE BASE

[75] Inventor: Ed E. Murry, Coldwater, Miss.

[73] Assignee: Chromcraft Furniture Corp.,  
Senatobia, Miss.

[\*\*] Term: 14 Years

[21] Appl. No.: 859,730

[22] Filed: May 5, 1986

[52] U.S. Cl. .... D6/498; D6/487

[58] Field of Search ..... D6/480, 487, 488, 489,  
D6/495, 496, 498, 499; 108/118, 156; 248/431

[56] References Cited

U.S. PATENT DOCUMENTS

1,262,356	4/1918	Kirkland	108/159 X
1,940,565	12/1933	Schott	108/159
2,673,773	3/1954	Dusenbury	108/159 X
2,710,733	6/1955	Phillips	D6/489 X
2,759,780	8/1956	Barker, Jr.	108/157
3,160,121	12/1964	Bedol	D6/489 X
3,242,887	3/1966	Haydock	108/159
4,423,849	1/1984	Jordan	D6/499 X

OTHER PUBLICATIONS

Interiors, Sep. 1974, p. 163, table No. 713, top center.

Primary Examiner—Bruce W. Dunkins  
Attorney, Agent, or Firm—Wolf, Greenfield & Sacks

[57] CLAIM

The ornamental design for a table base, as shown and described.

DESCRIPTION

FIG. 1 is a perspective view of a table base showing my new design;

FIG. 2 is a front elevational view;

FIG. 3 is a top plan view thereof;

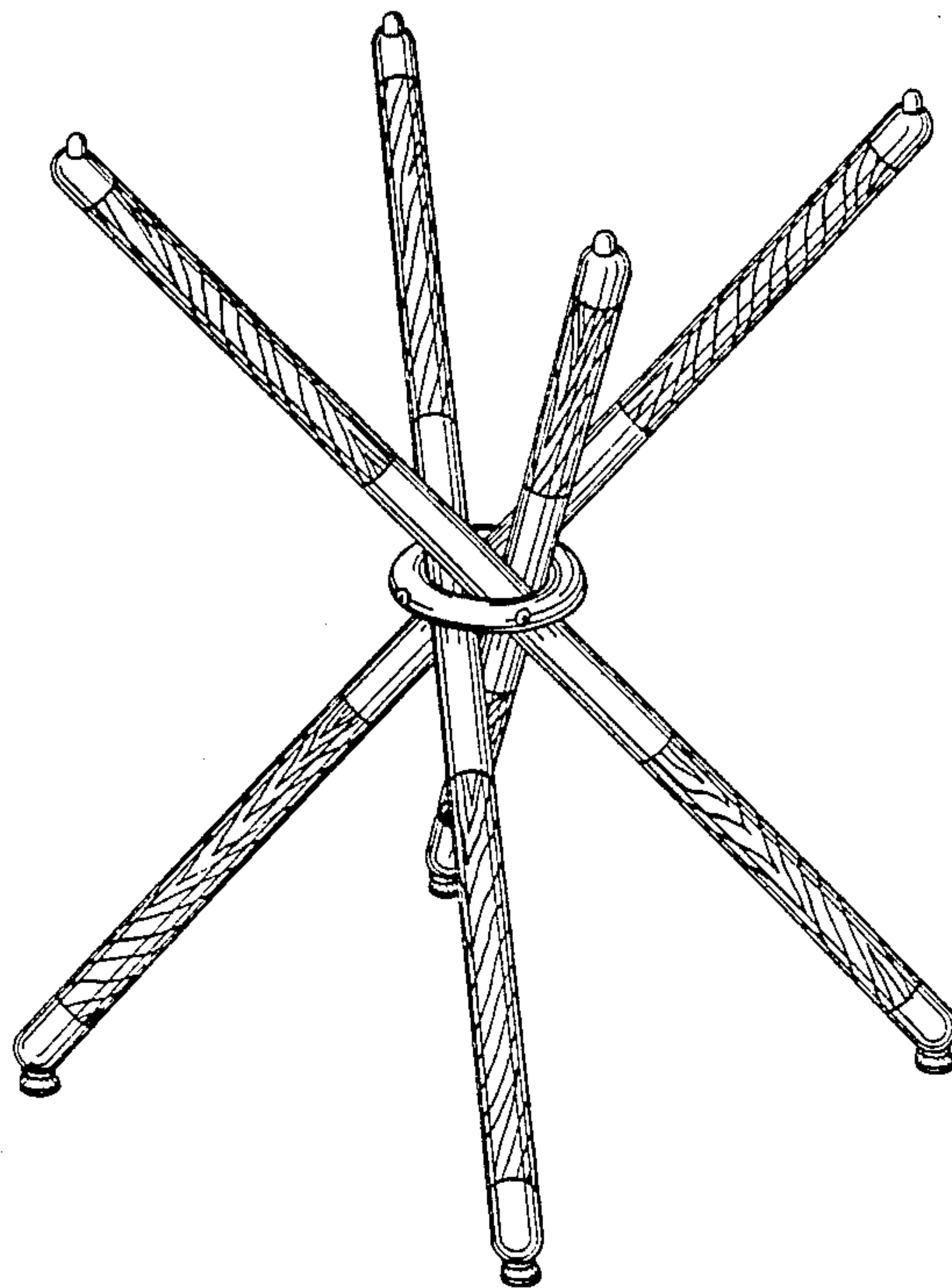
FIG. 4 is a bottom plan view thereof;

FIG. 5 is a perspective view of a second embodiment of table base constructed in accordance with this invention; and

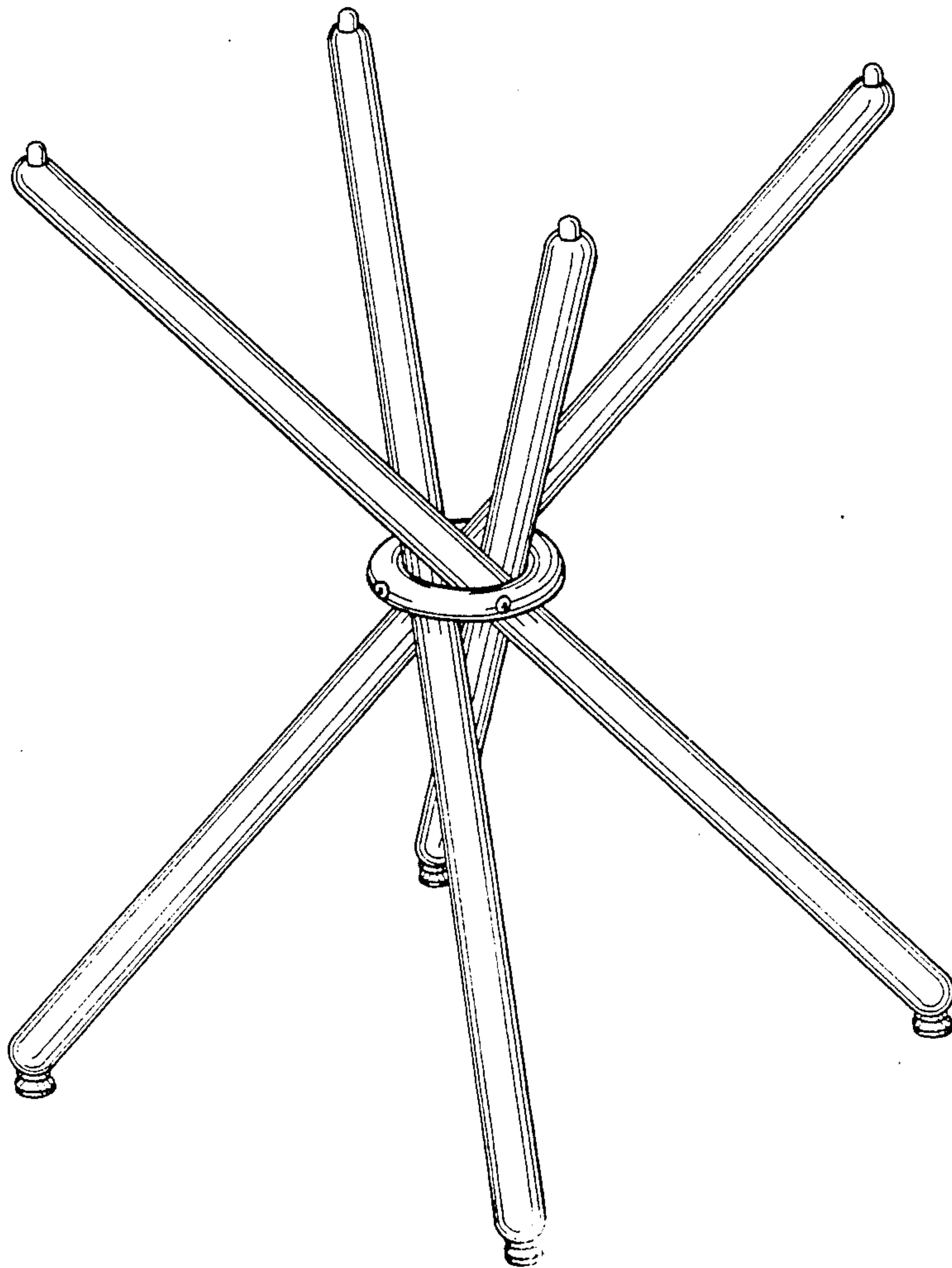
FIG. 6 is a perspective view of a third embodiment of table base constructed in accordance with this invention.

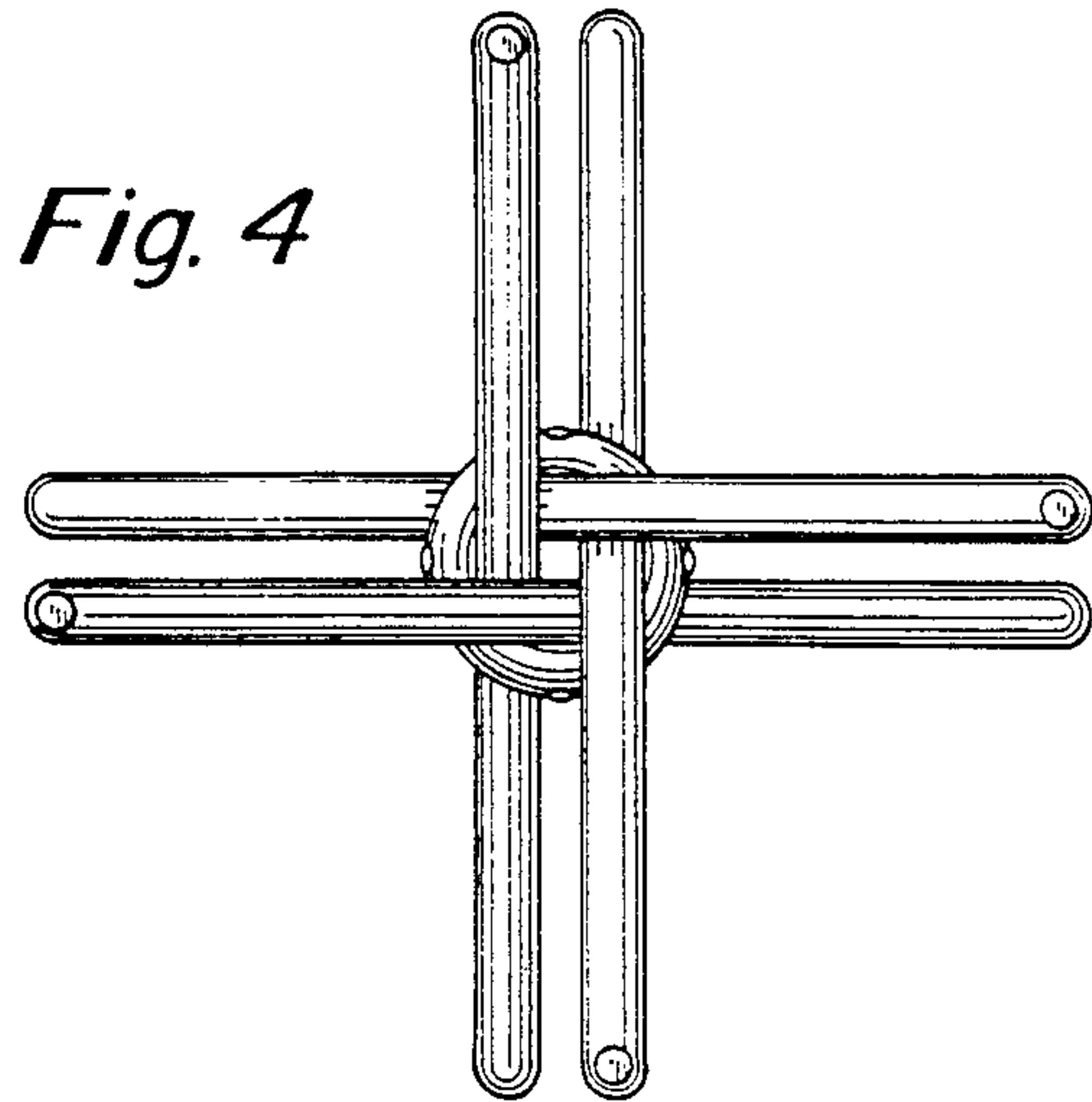
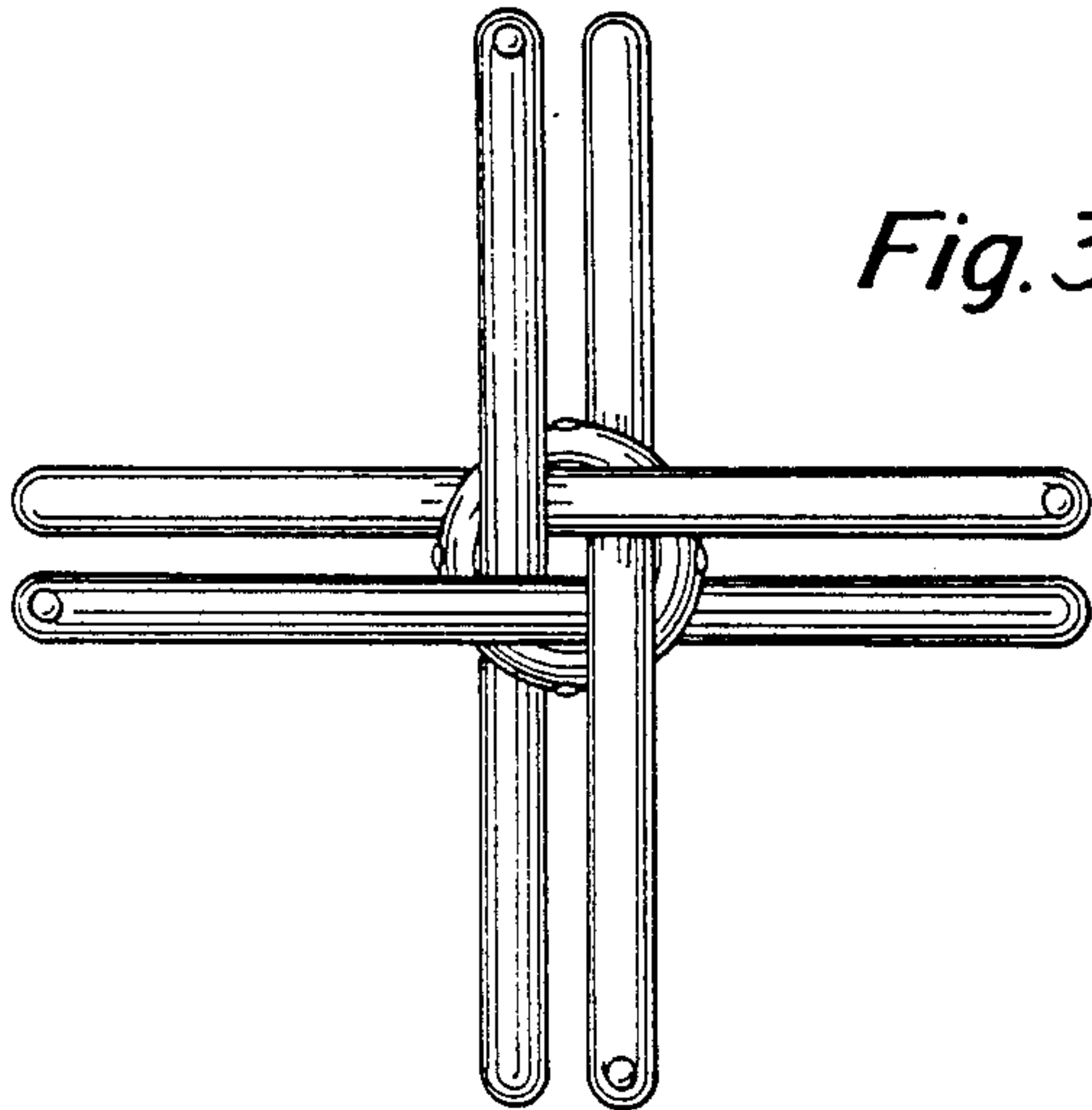
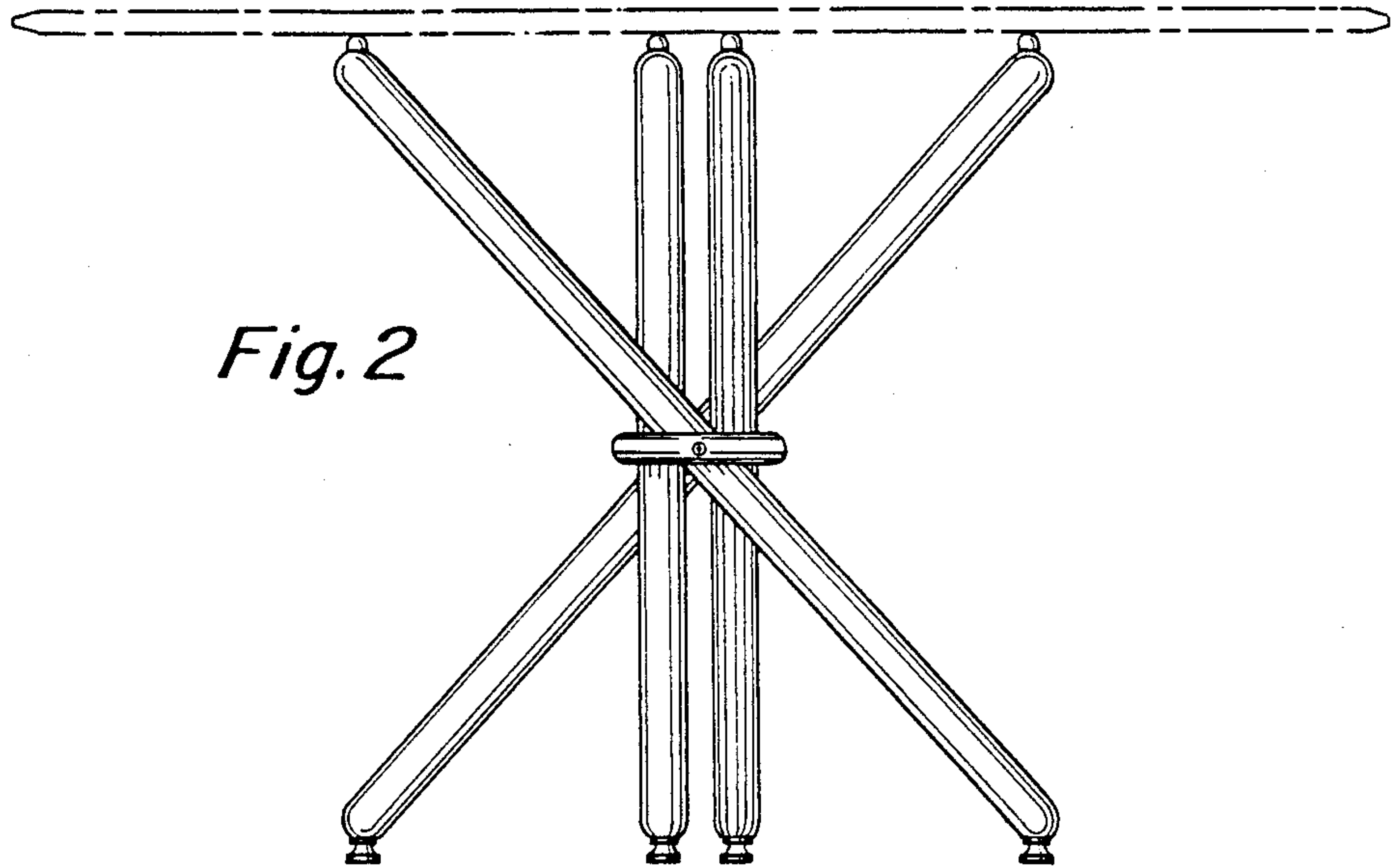
The table top illustrated by means of broken lines in FIG. 2 has been shown for illustrative purposes only.

The side and rear elevation views of the embodiment shown in FIGS. 1-4 is the same as the front elevation view thereof shown in FIG. 2. The front, top, bottom, side and rear views of the embodiments of FIGS. 5 and 6 are the same as for the embodiment shown in FIGS. 1-4 except for the surface ornamentation thereof.

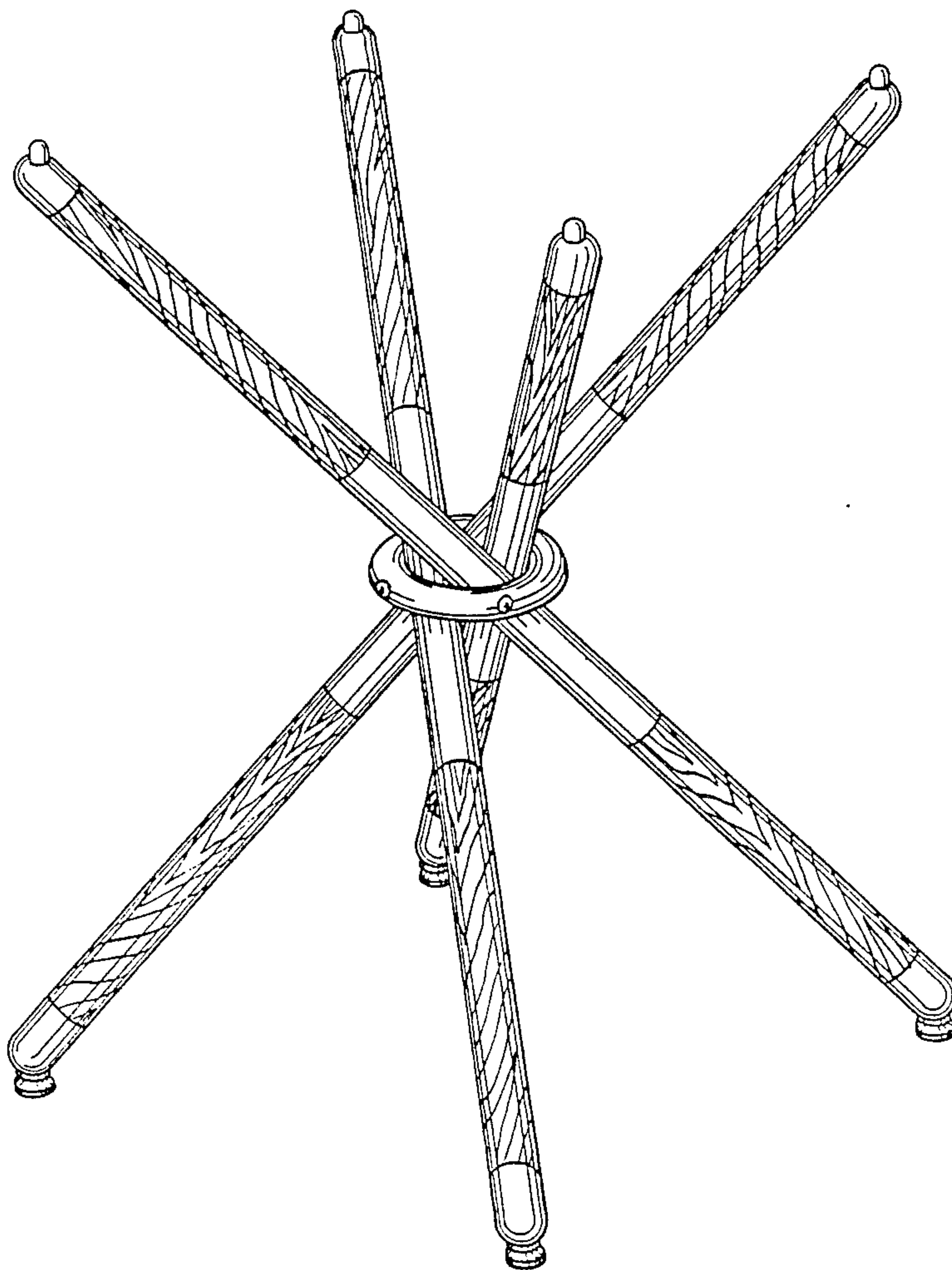


*Fig. 1*





*Fig. 5*





*Fig. 6*

