

[54] TABLE BASE

[75] Inventors: Kurt Schulz, Oberkochen; Bruno Stich, Aalen, both of Fed. Rep. of Germany

[73] Assignee: Carl-Zeiss-Stiftung, Heidenheim, Fed. Rep. of Germany

[\*\*] Term: 14 Years

[21] Appl. No.: 718,849

[22] Filed: Apr. 2, 1985

[52] U.S. Cl. .... D6/495

[58] Field of Search ..... D6/364, 365, 484, 486, D6/495

[56] References Cited

U.S. PATENT DOCUMENTS

- D. 76,381 9/1928 DeWeese ..... D6/486
- D. 133,434 8/1942 Graham ..... D6/486 X
- D. 260,215 8/1981 O'Neill ..... D6/495

OTHER PUBLICATIONS

CHF brochure by Chicago Hardware Foundry Co. ©1956, p. 2, table base No. 926-254.

Primary Examiner—Bruce W. Dunkins  
Attorney, Agent, or Firm—Walter Ottesen

[57] CLAIM

The ornamental design for a table base, as shown and described.

DESCRIPTION

FIG. 1 is a front perspective view of a table base showing our design;

FIG. 2 is a top plan view;

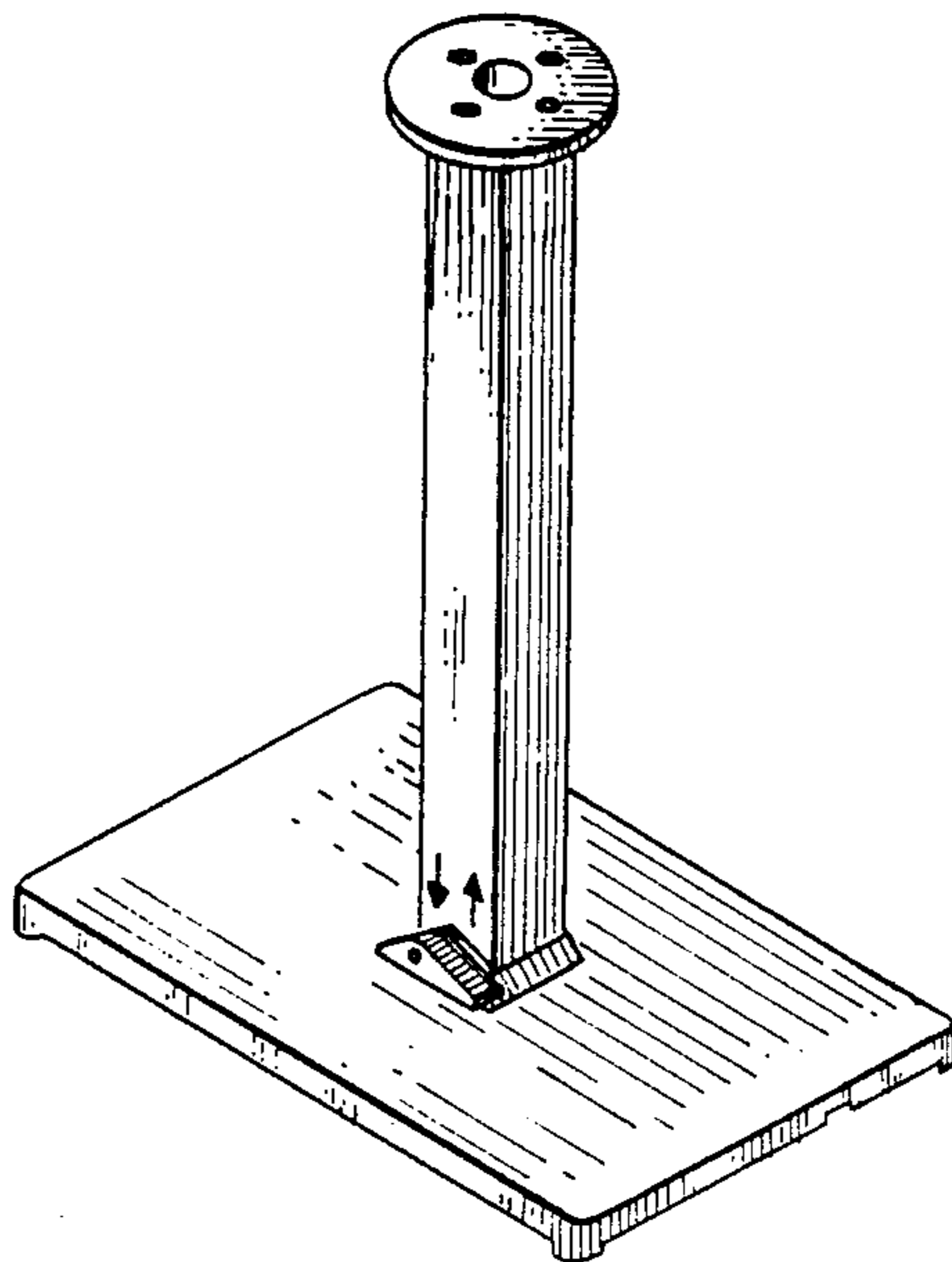
FIG. 3 is a rear elevation view;

FIG. 4 is a right side elevation view; and,

FIG. 5 is a front elevation view thereof.

The side of the table not shown is a mirror image of the side shown in FIG. 4.

The design is characterized by the combination of a table base including a circular top plate, column, rectangular pedestal and adjusting switch of triangular configuration as best shown in FIG. 1.



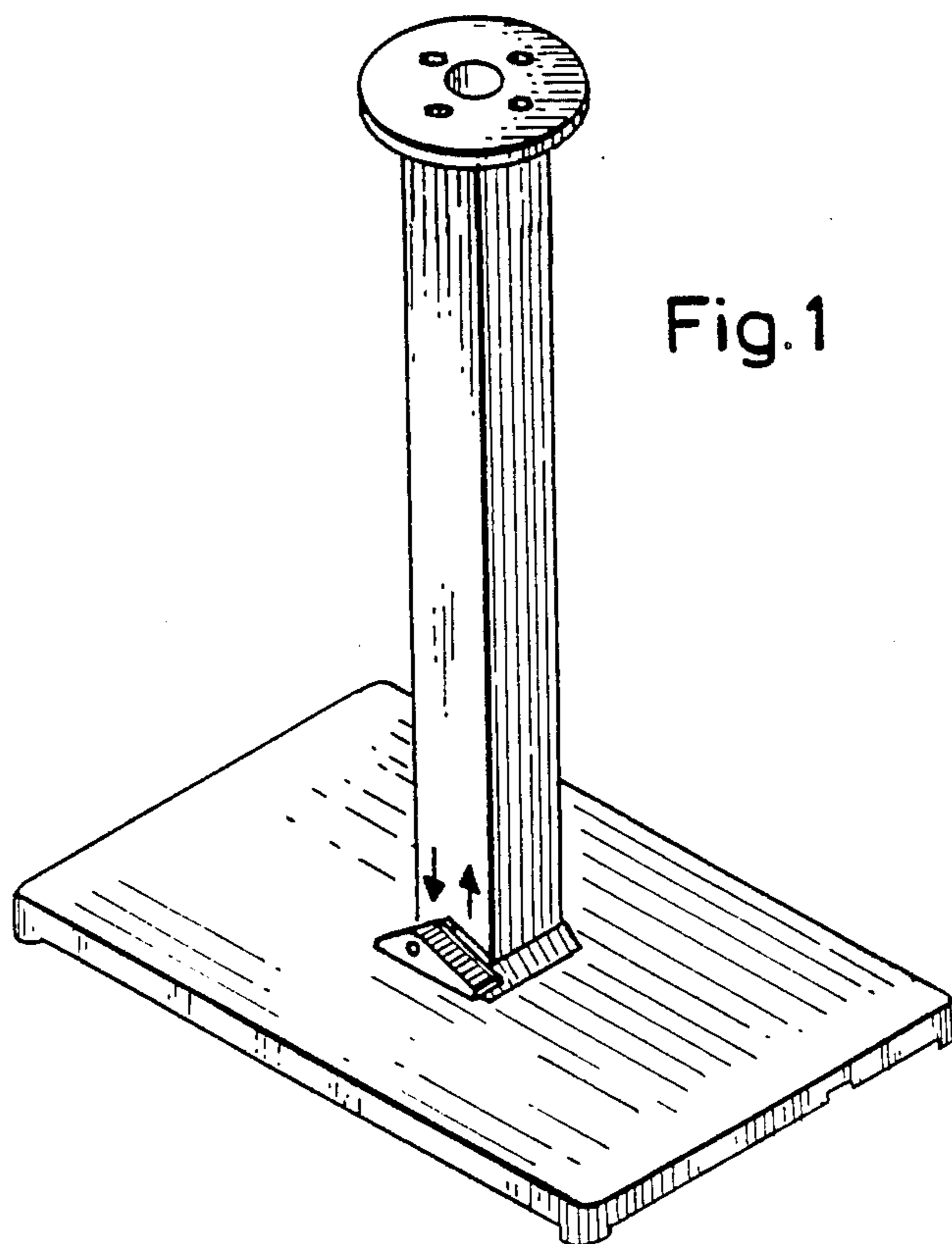


Fig. 1

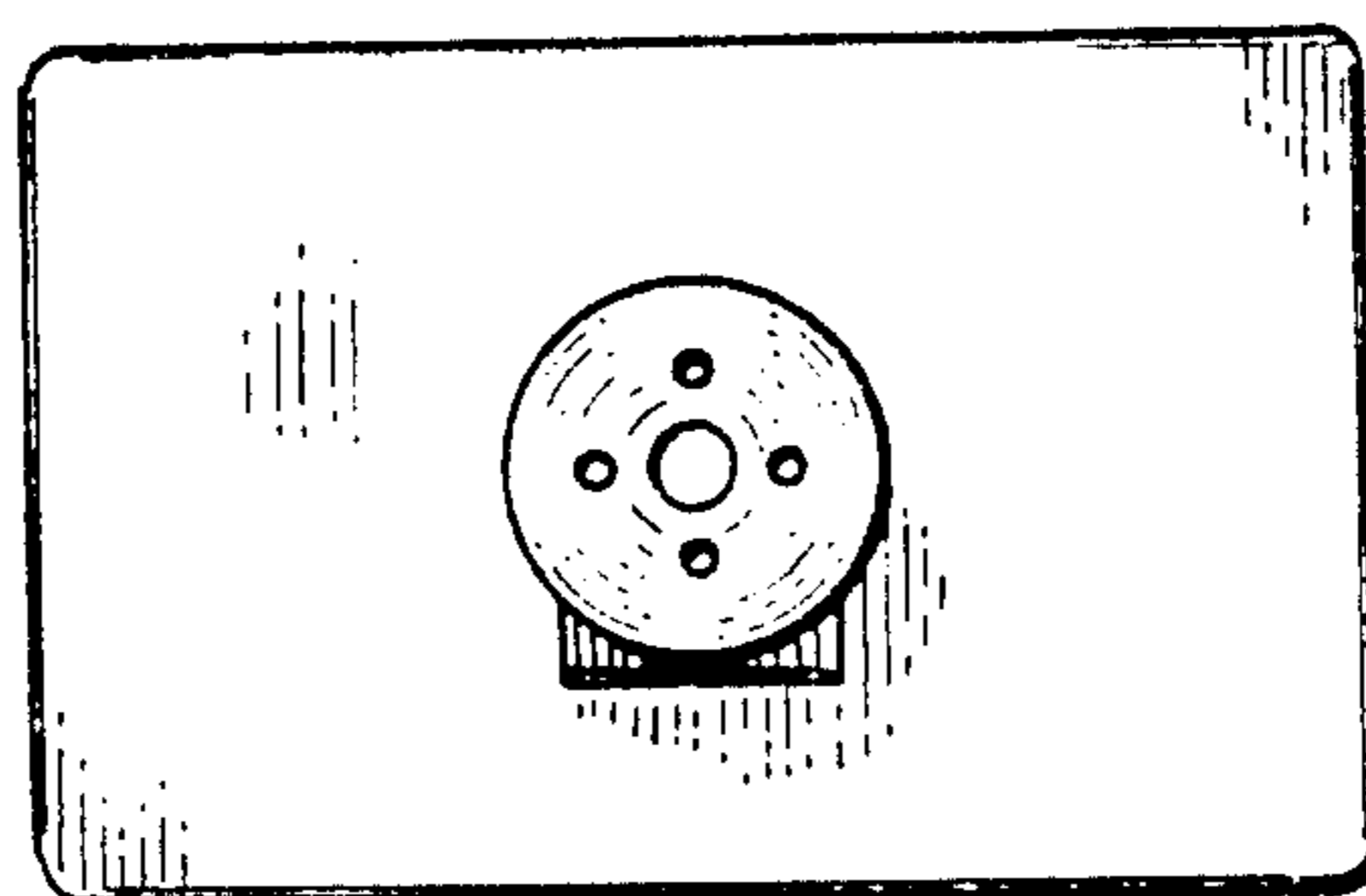


Fig. 2

