

[54] STOOL

[75] Inventors: Irwin J. Ferdinand, Glencoe; Milton E. Handler, Northbrook; Richard Sylvan, Glenview; Herbert Baisch, Palatine; Michael Peterson, Evanston, all of Ill.

[73] Assignee: Hirsh Company, Skokie, Ill.

[**] Term: 14 Years

[21] Appl. No.: 877,986

[22] Filed: Jun. 24, 1986

Related U.S. Application Data

[63] Continuation-in-part of Ser. No. 762,318, Aug. 5, 1985, which is a continuation-in-part of Ser. No. 746,277, Jun. 19, 1985.

[52] U.S. Cl. D6/336; D6/349; D6/355

[58] Field of Search D6/349, 350, 351, 352, D6/336, 406, 417, 478, 479; D12/14; 280/12 C

[56] References Cited

U.S. PATENT DOCUMENTS

- D. 276,861 12/1984 Keddie D6/349 X
- D. 279,238 6/1985 Ferdinand et al. D6/350
- D. 279,736 7/1985 Zastera et al. D6/484 X
- D. 280,370 9/1985 Ferdinand et al. D6/352 X
- D. 287,434 12/1986 Wolfe et al. D6/336

Primary Examiner—Bruce W. Dunkins
Attorney, Agent, or Firm—Dressler, Goldsmith, Shore Sutker & Milnamow, Ltd.

[57] CLAIM

The ornamental design for a stool, substantially as shown and described.

DESCRIPTION

FIG. 1 is a perspective view of a stool of our new design;
FIG. 2 is a top plan view thereof;
FIG. 3 is a rear elevational view thereof, the front elevational view thereof being a mirror image;
FIG. 4 is a right side elevational view thereof;

FIG. 5 is a left side elevational view thereof;
FIG. 6 is a bottom plan view thereof;
FIG. 7 is a perspective view of a stool showing a second embodiment of our new design;
FIG. 8 is a top plan view of the stool of FIG. 7;
FIG. 9 is a rear elevational view of the stool of FIG. 7, the front elevational view thereof being a mirror image;
FIG. 10 is a right side elevational view of the stool of FIG. 7;
FIG. 11 is a left side elevational view of the stool of FIG. 7;
FIG. 12 is a bottom plan view of the stool of FIG. 7;
FIG. 13 is a perspective view of a stool showing a third embodiment of our new design;
FIG. 14 is a top plan view of the stool of FIG. 13, the bottom being plain and unornamented;
FIG. 15 is a rear elevational view of the stool of FIG. 13, the front elevational view thereof being a mirror image;
FIG. 16 is a right side elevational view of the stool of FIG. 13;
FIG. 17 is a left side elevational view of the stool of FIG. 13;
FIG. 18 is a perspective view of a stool showing a fourth embodiment of our new design;
FIG. 19 is a top plan view of the stool of FIG. 18, the bottom being plain and unornamented;
FIG. 20 is a rear elevational view of the stool of FIG. 18, the front elevational view thereof being a mirror image;
FIG. 21 is a right side elevational view of the stool of FIG. 18;
FIG. 22 is a left side elevational view of the stool in FIG. 18;
FIG. 23 is a perspective view of a stool showing a fifth embodiment of our new design;
FIG. 24 is a top plan view of the stool of FIG. 23, the bottom being plain and unornamented;
FIG. 25 is a rear elevational view of the stool of FIG. 23, the front elevational view thereof being a mirror image;
FIG. 26 is a right side elevational view of the stool of FIG. 23; and
FIG. 27 is a left side elevational view of the stool of FIG. 23.

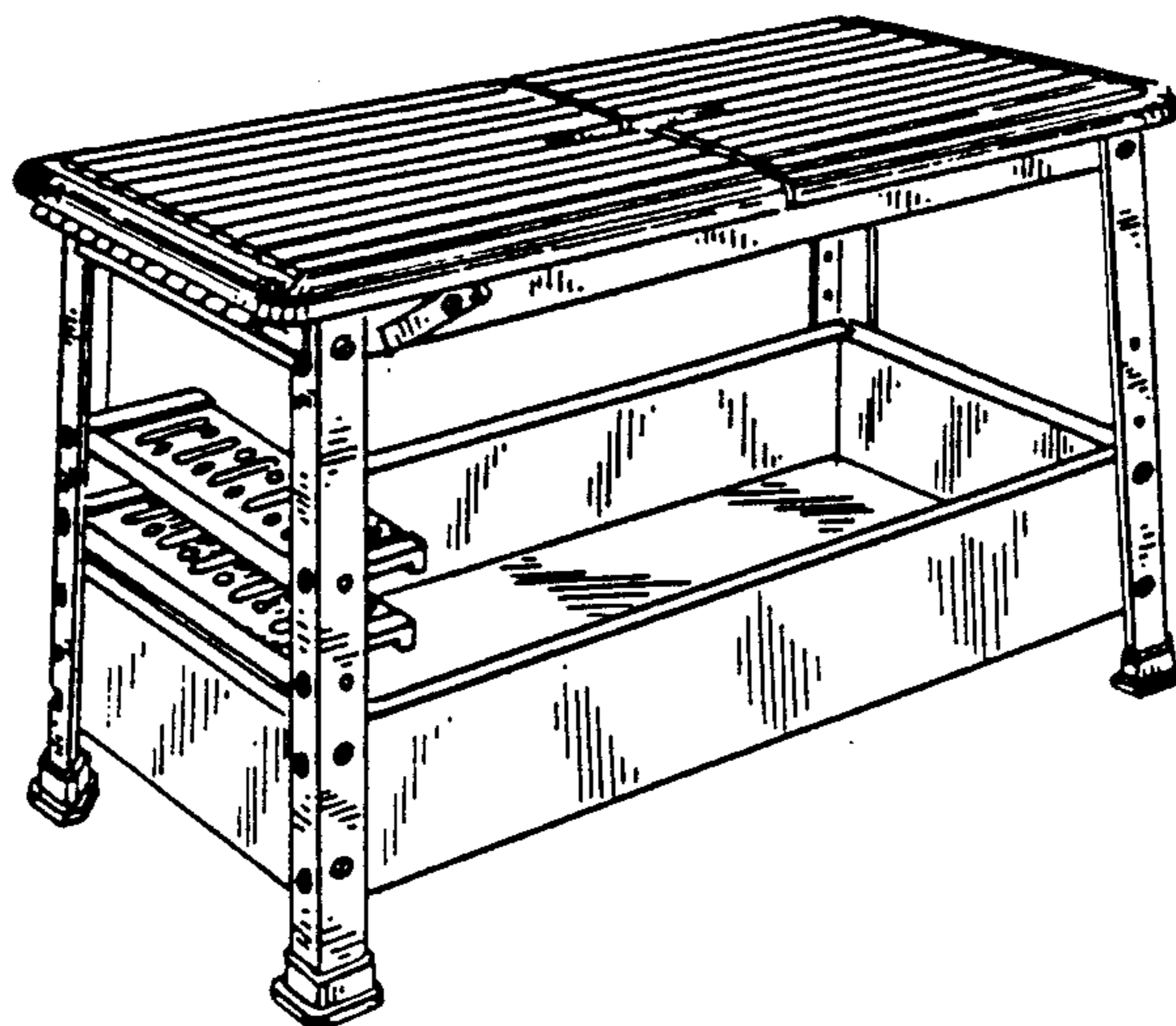


FIG. 1

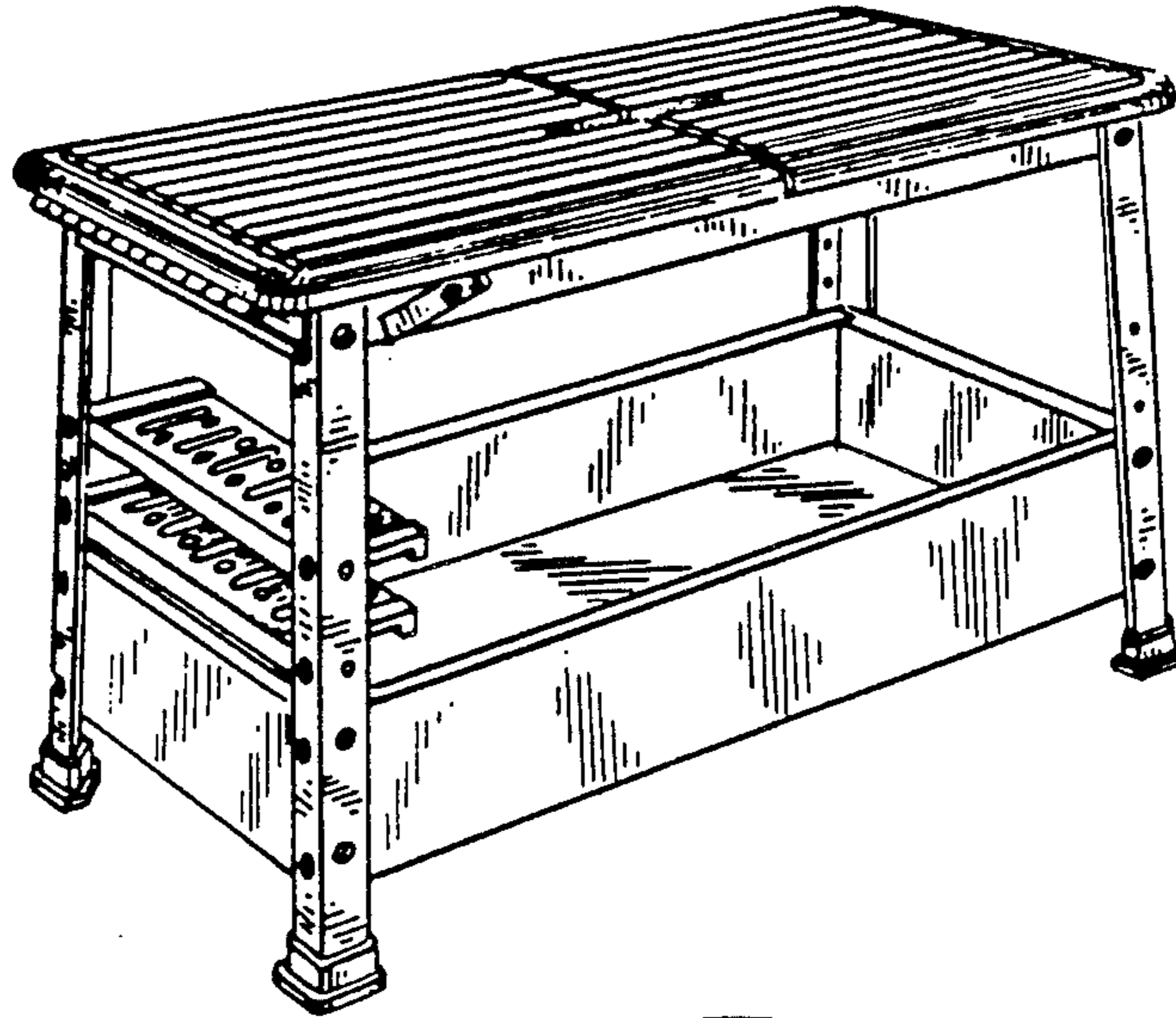


FIG. 2

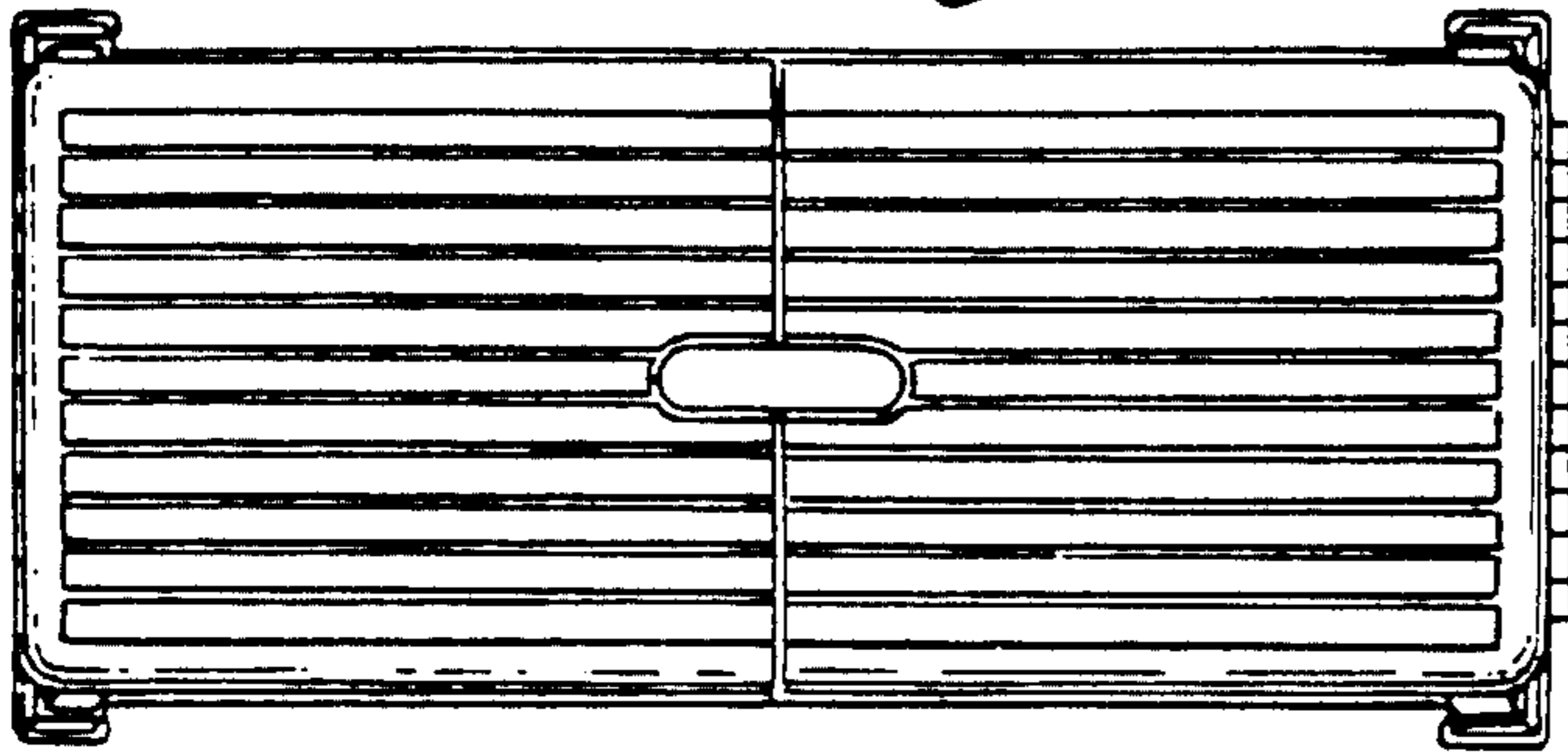


FIG. 4

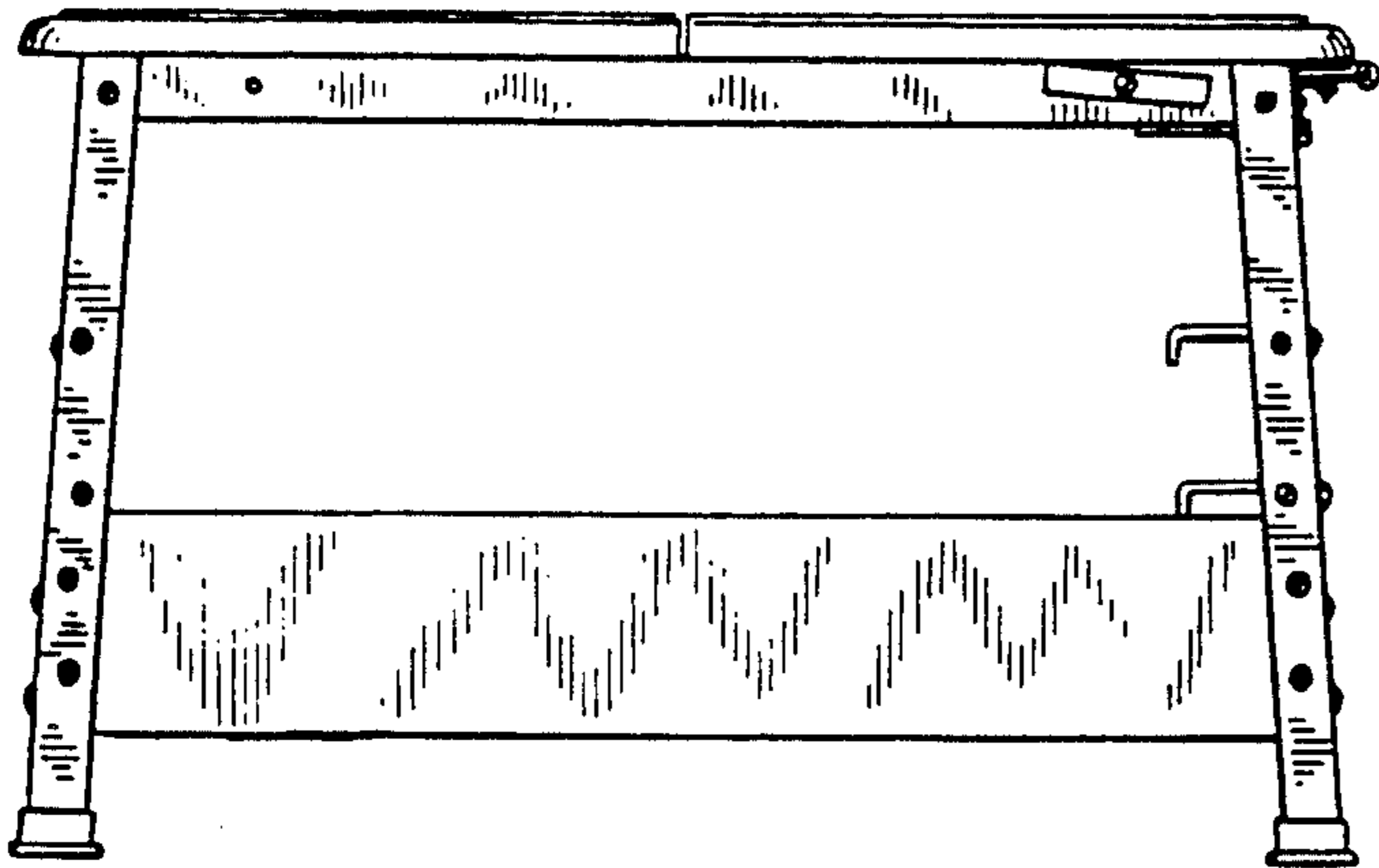
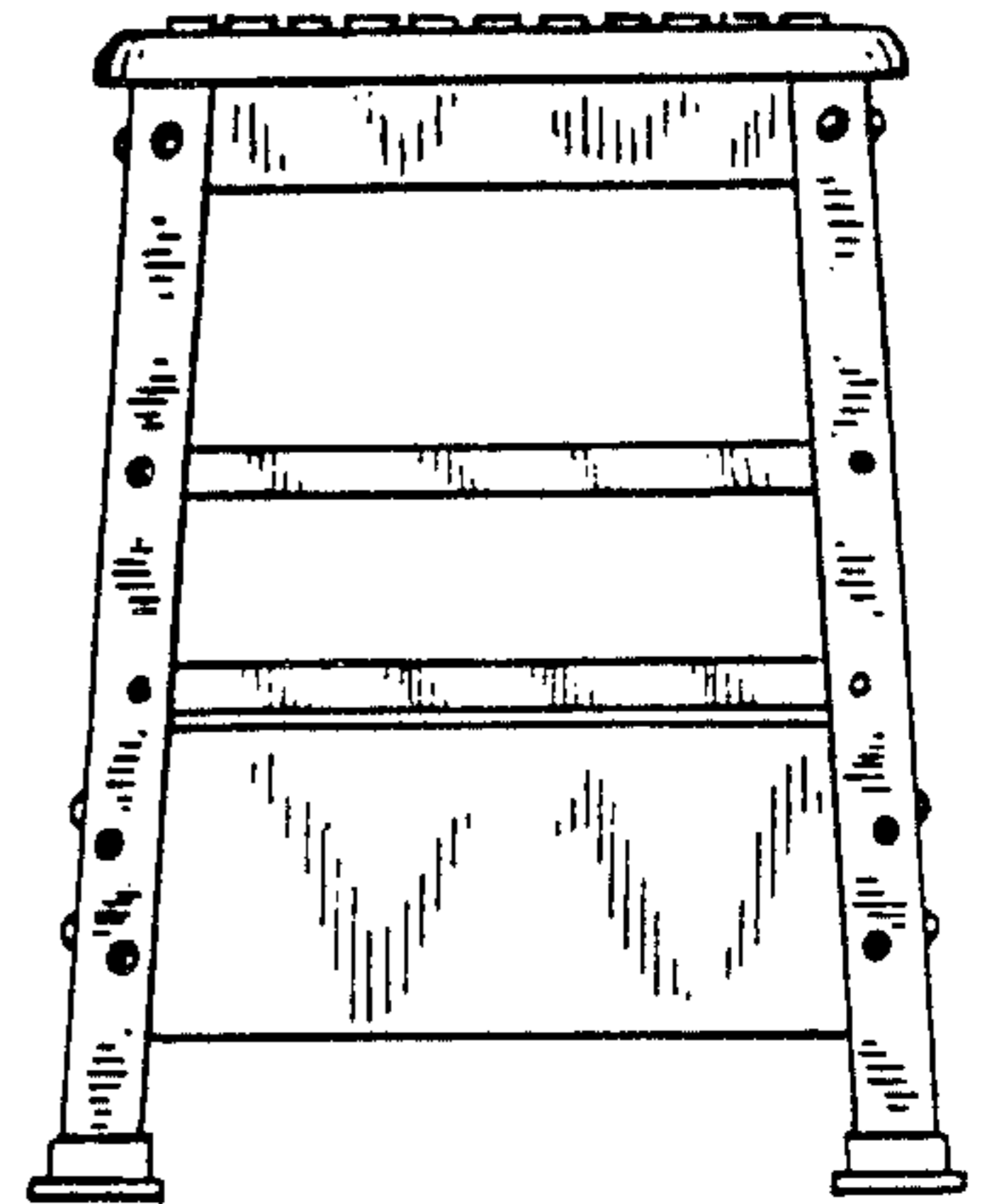


FIG. 3

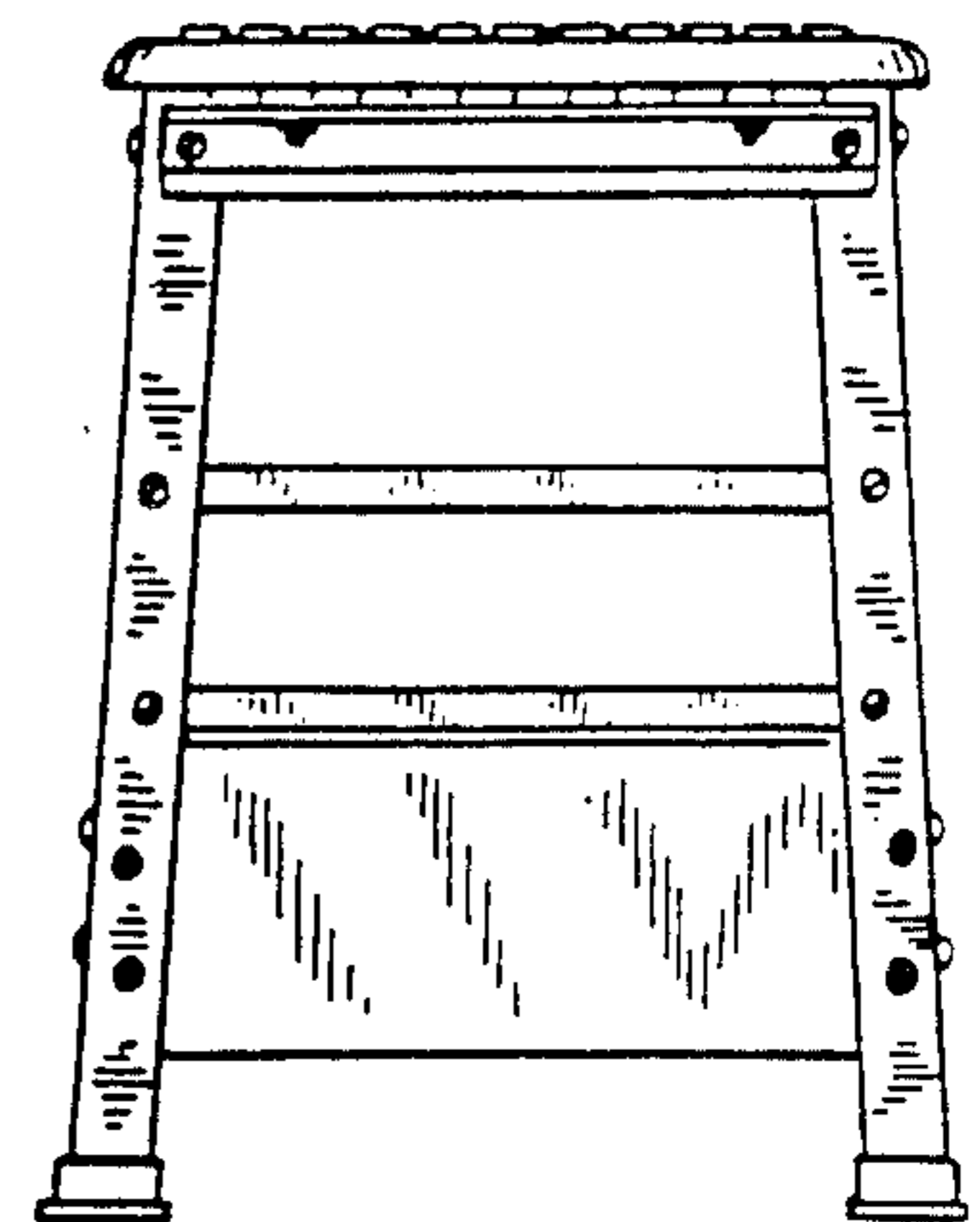


FIG. 5

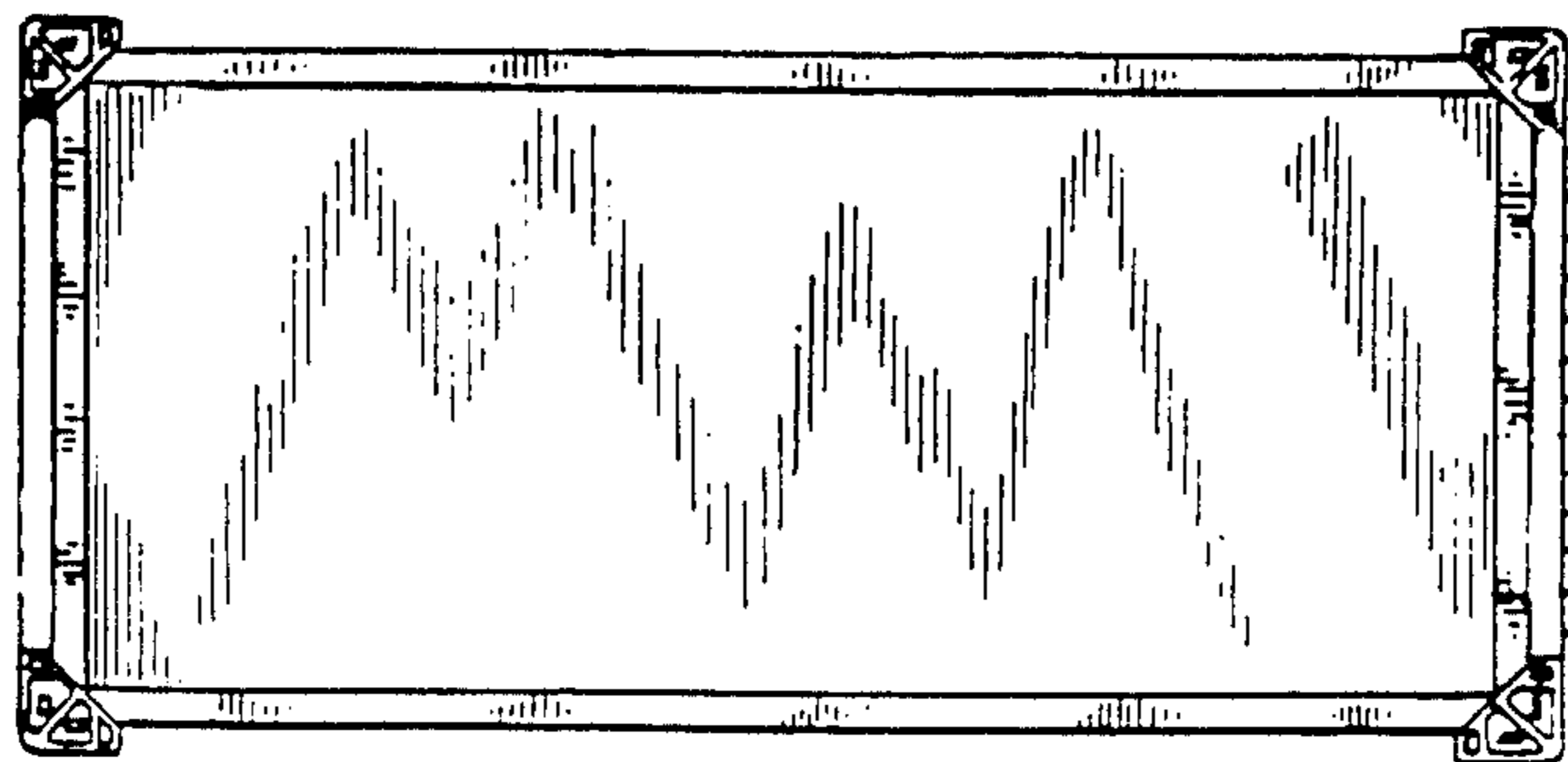


FIG. 6

FIG. 7

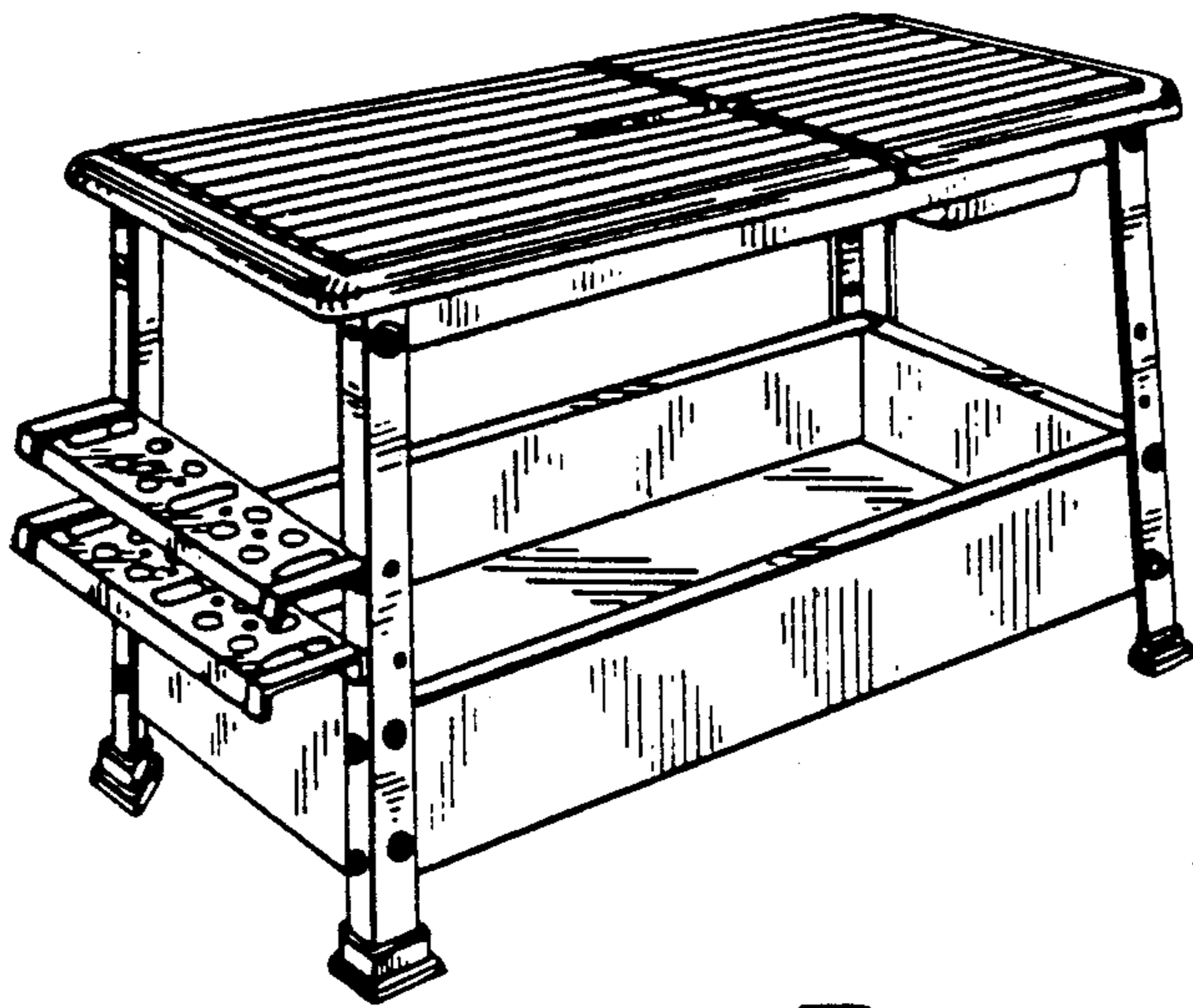


FIG. 8

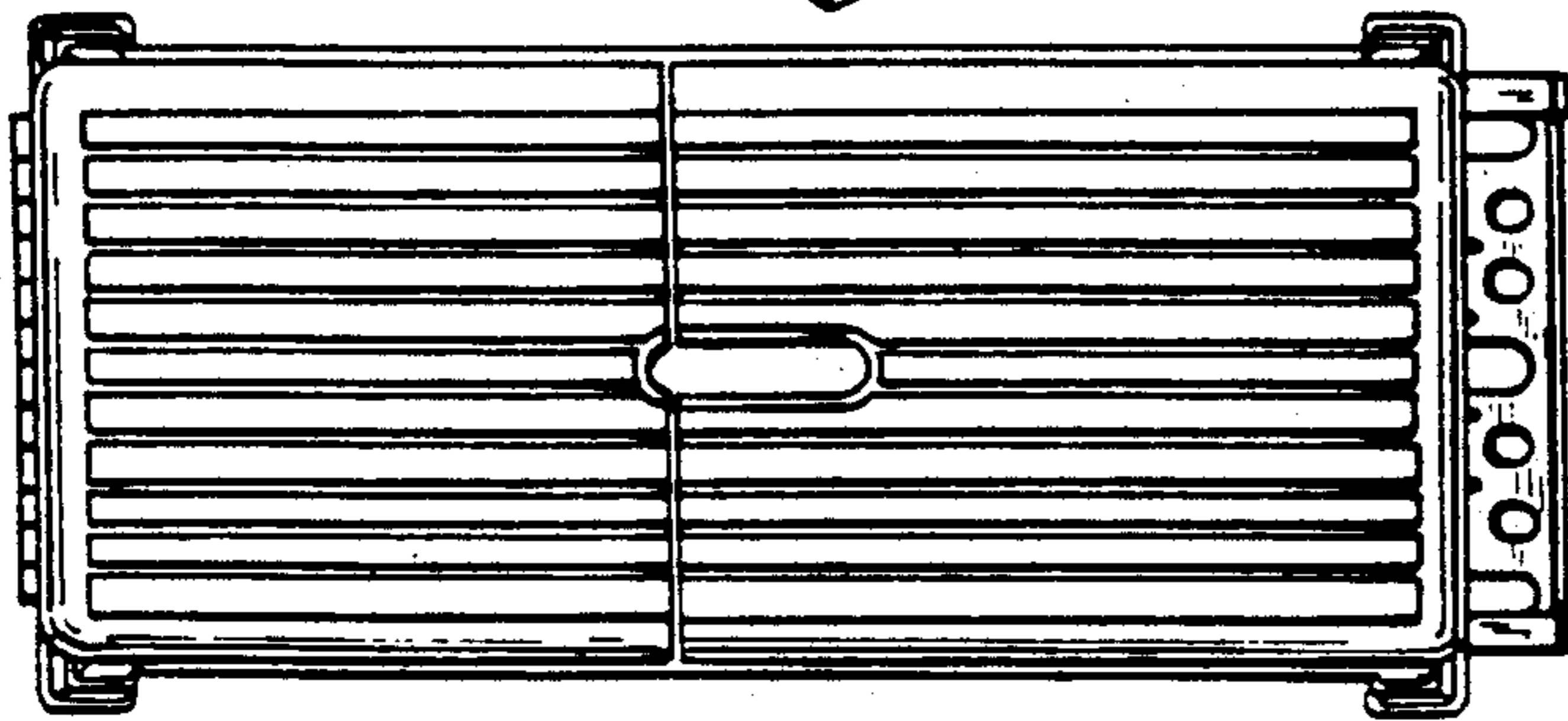


FIG. 9

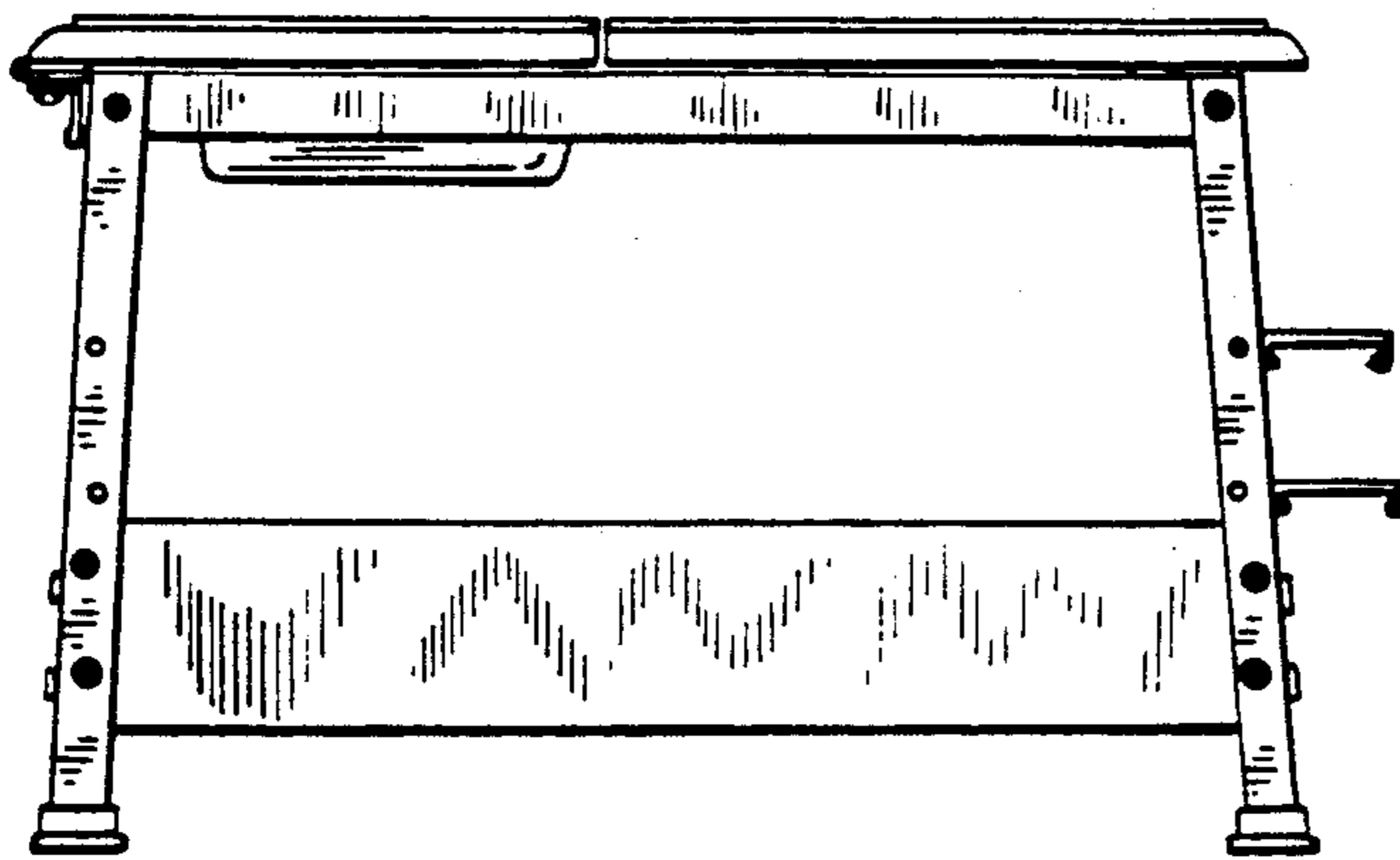


FIG. 10

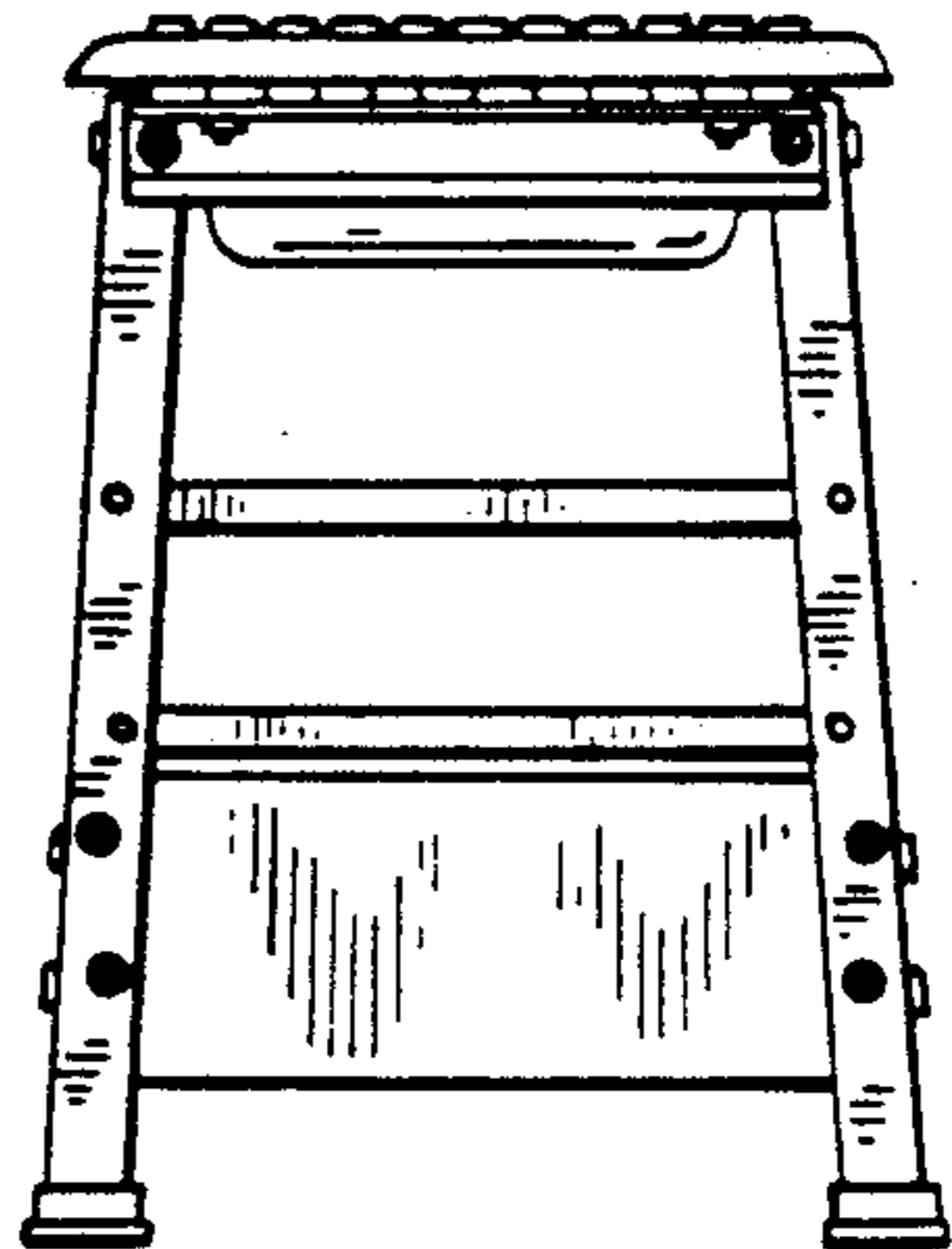


FIG. 11

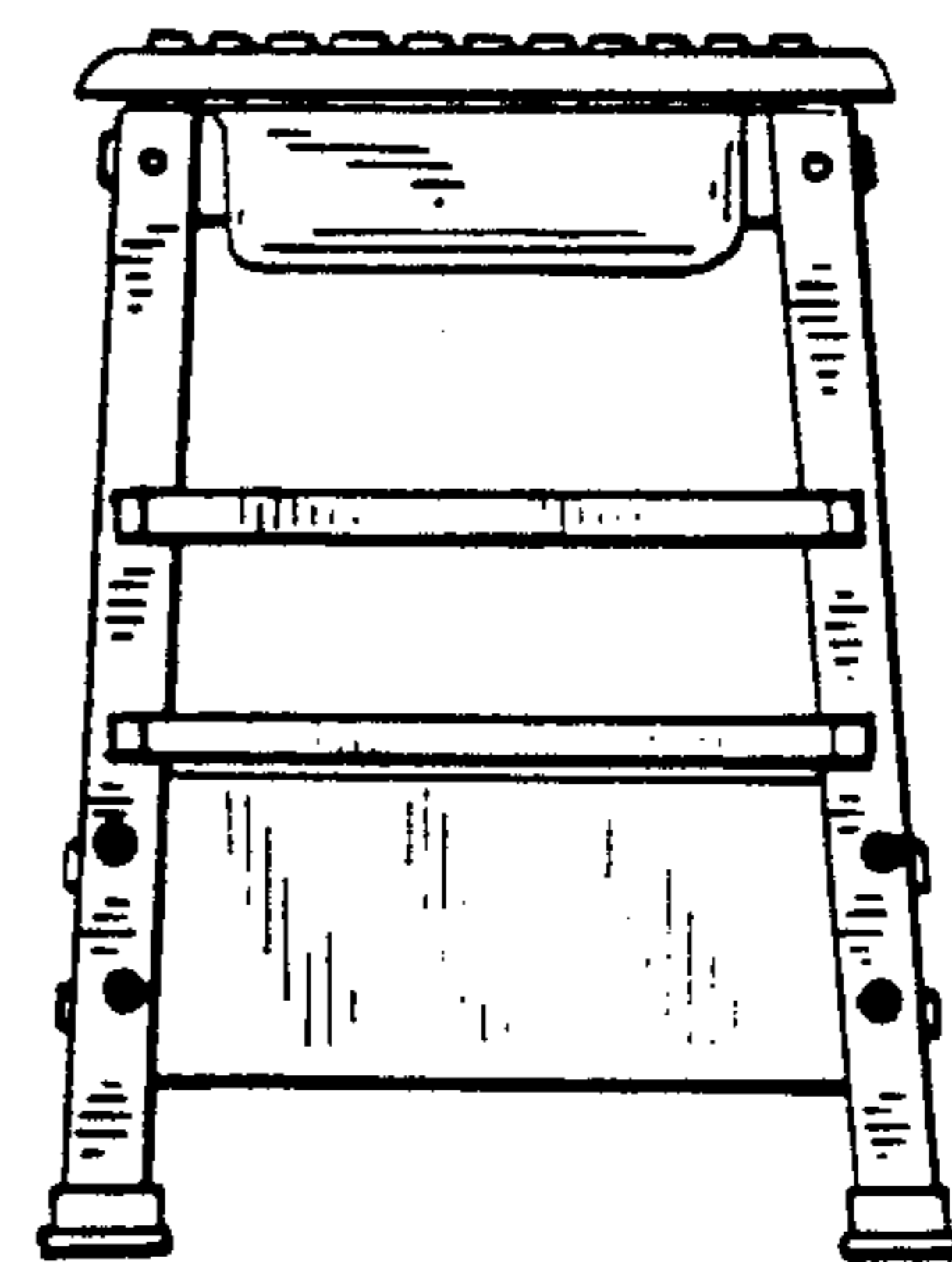


FIG. 12

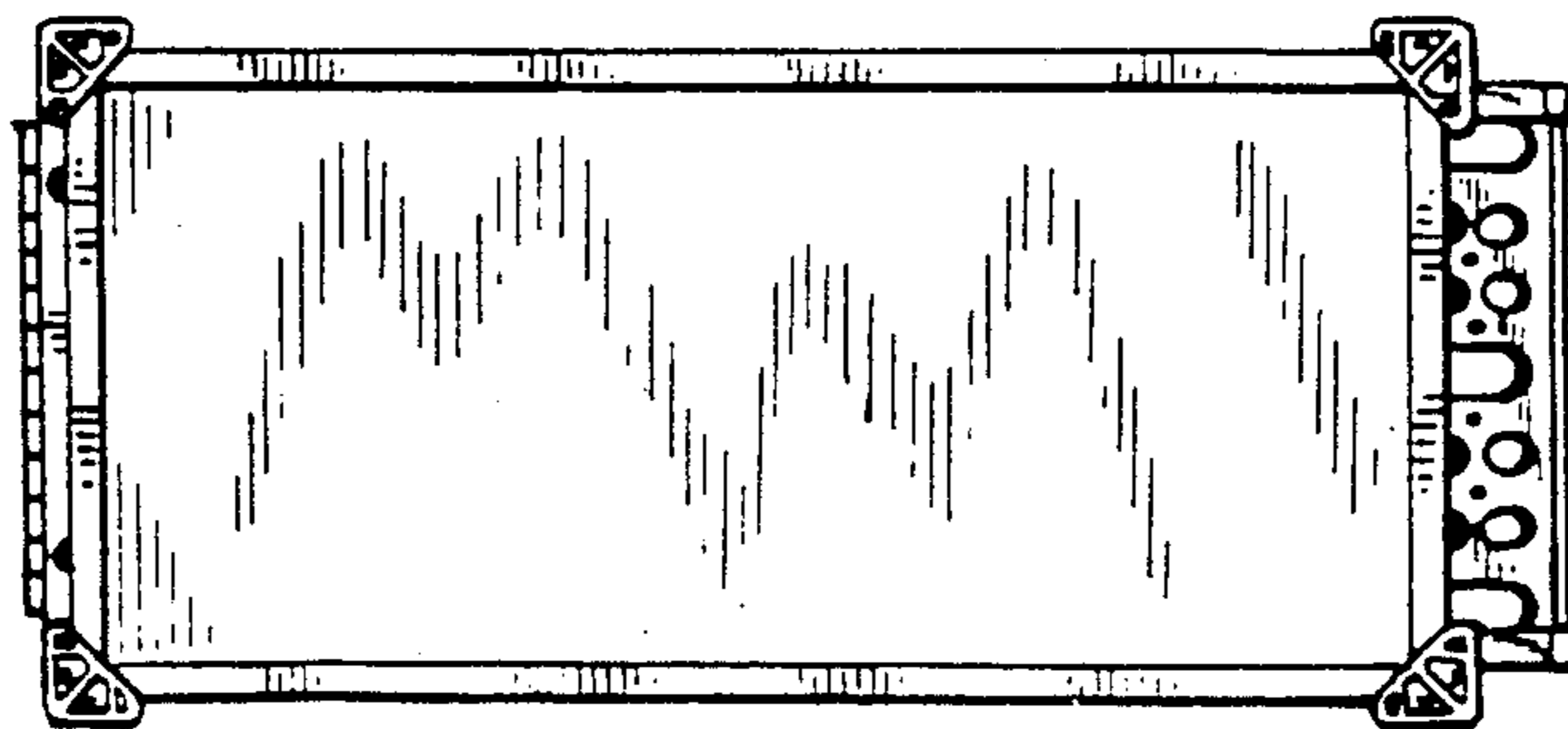


FIG. 13

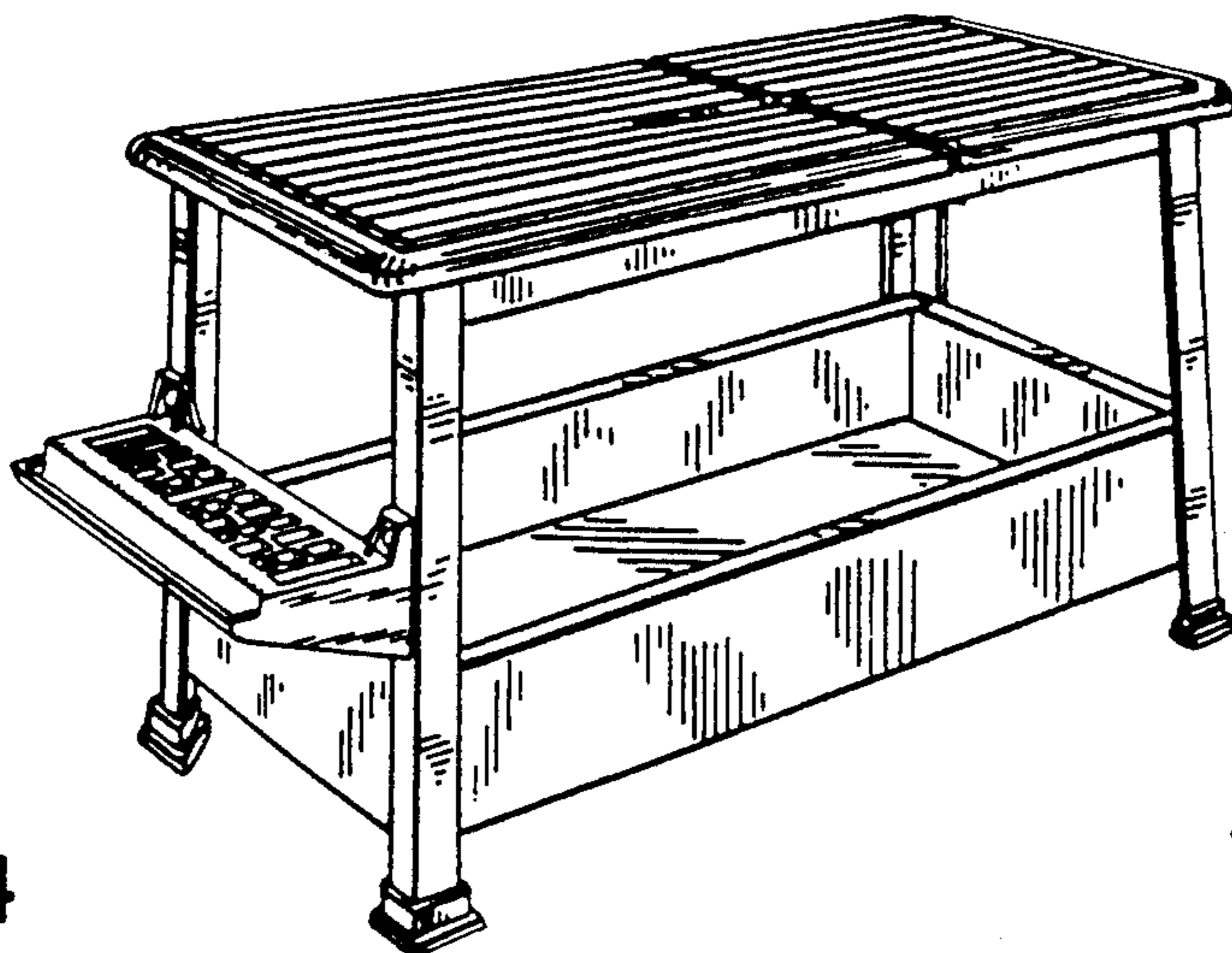


FIG. 14

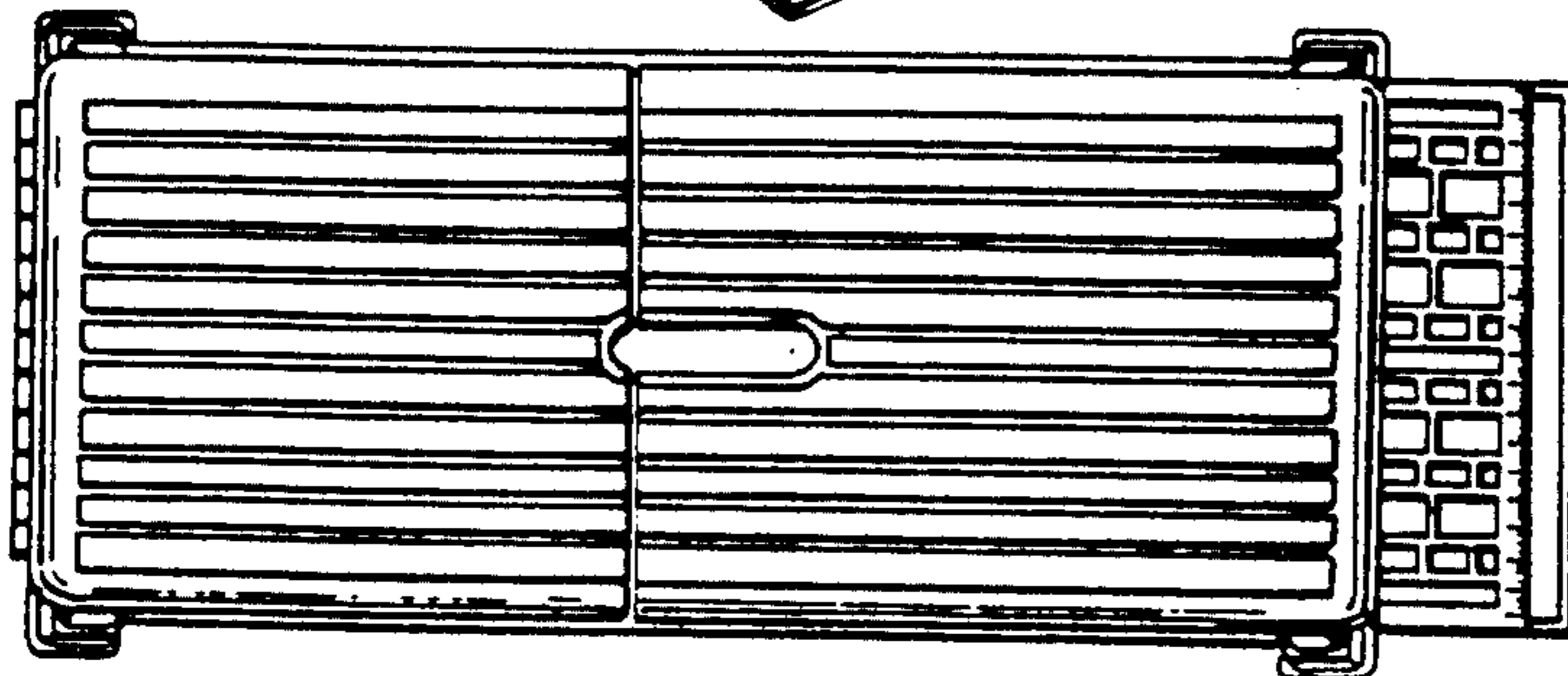


FIG. 16

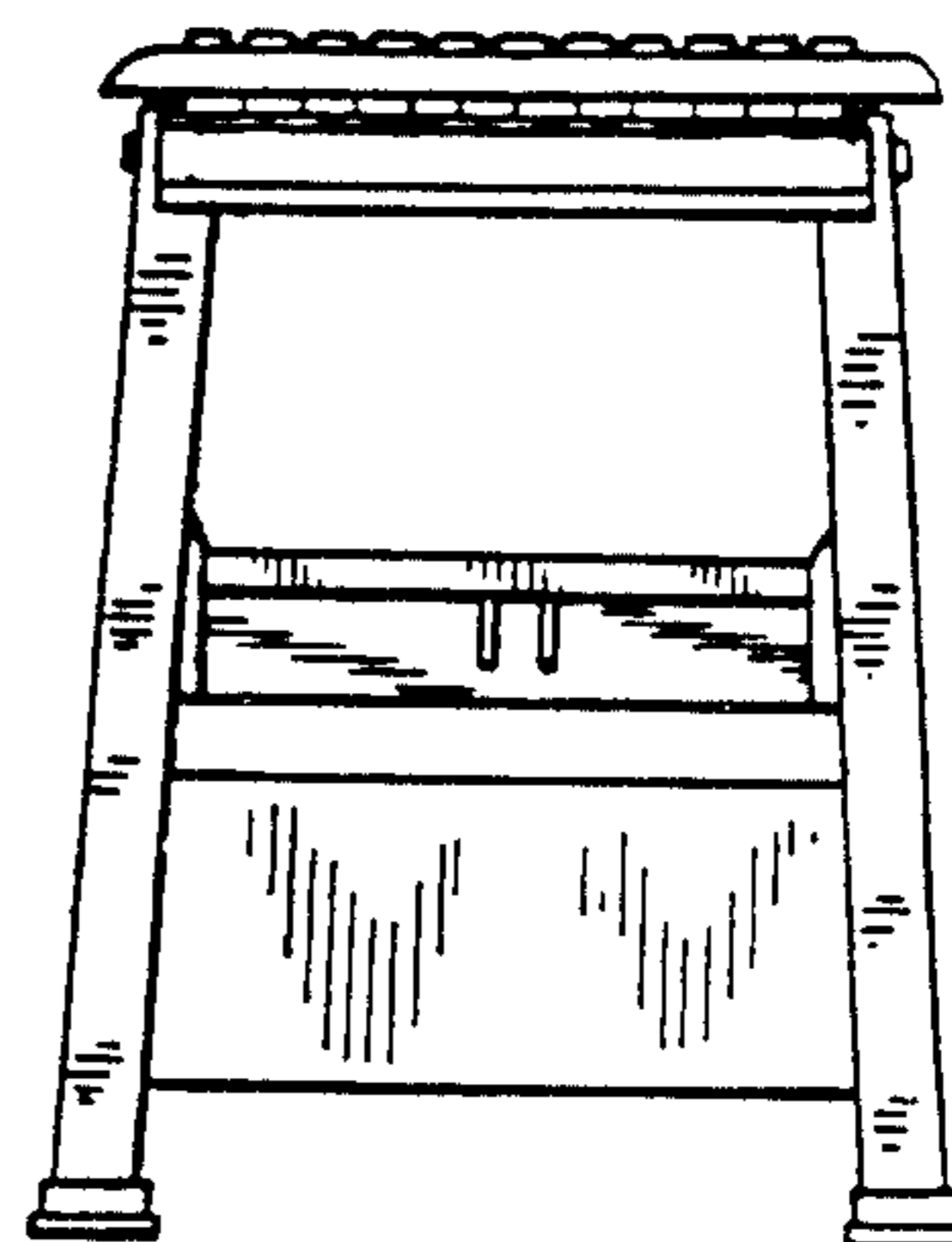


FIG. 15

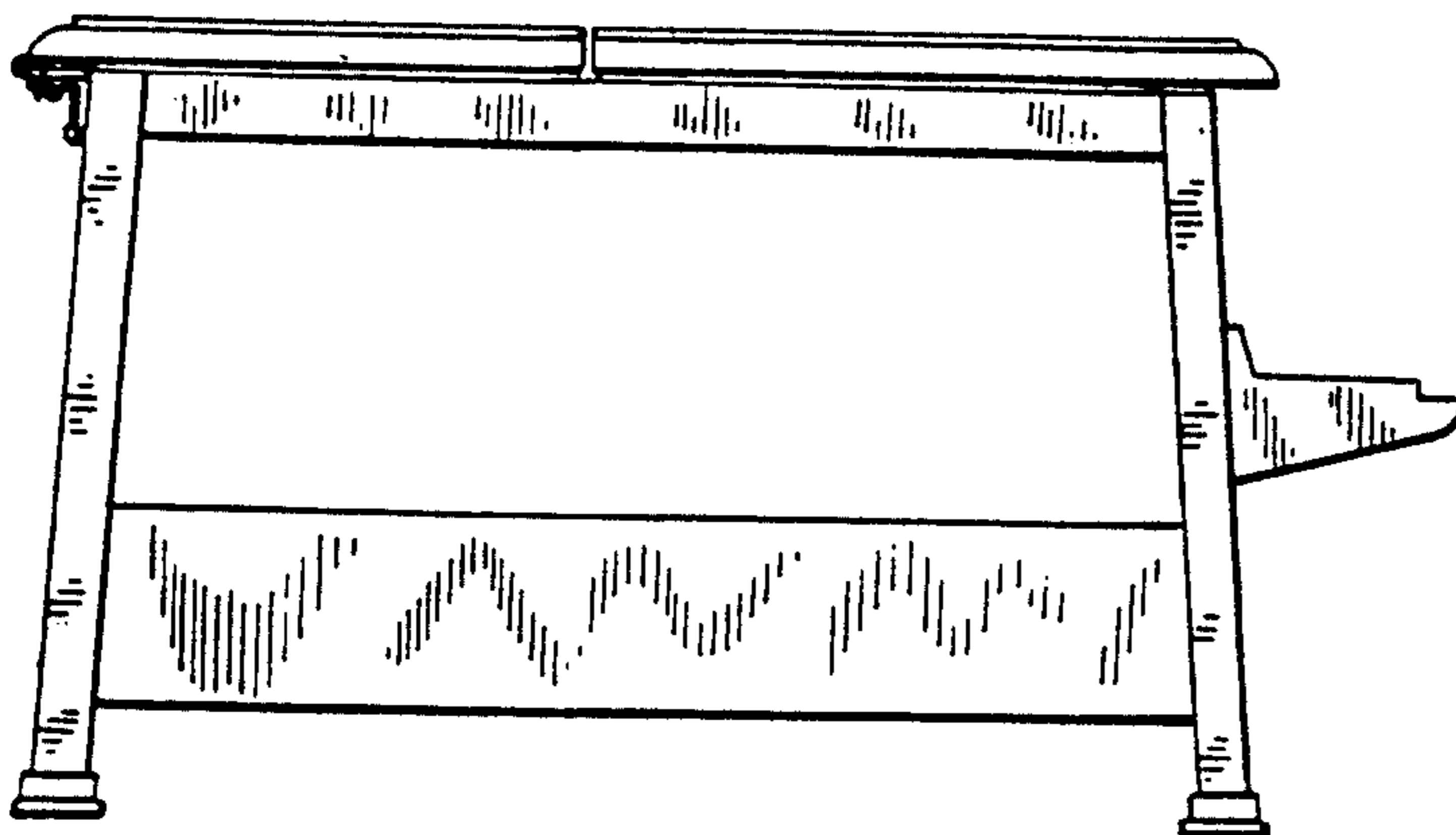


FIG. 17

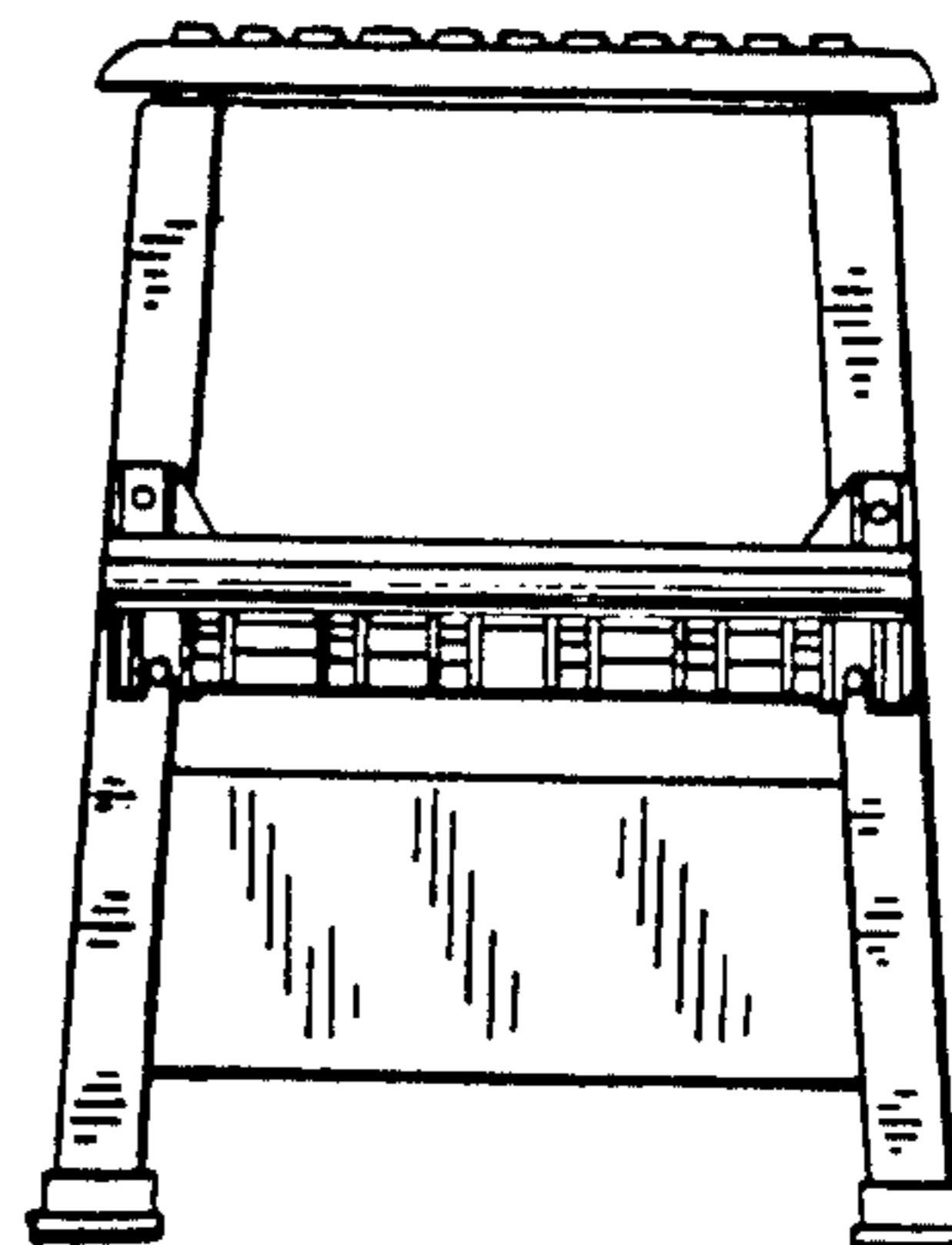


FIG. 18

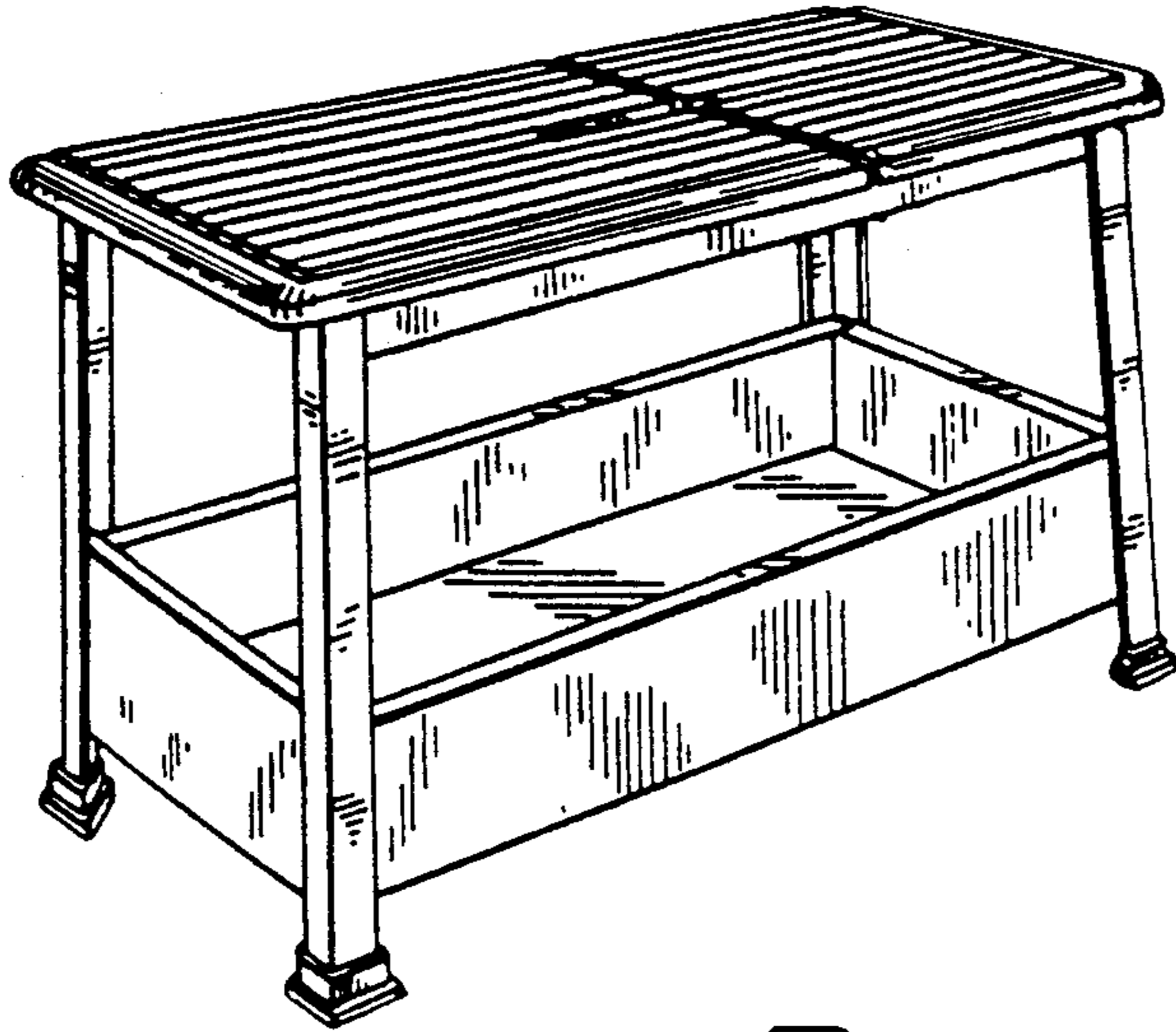


FIG. 19

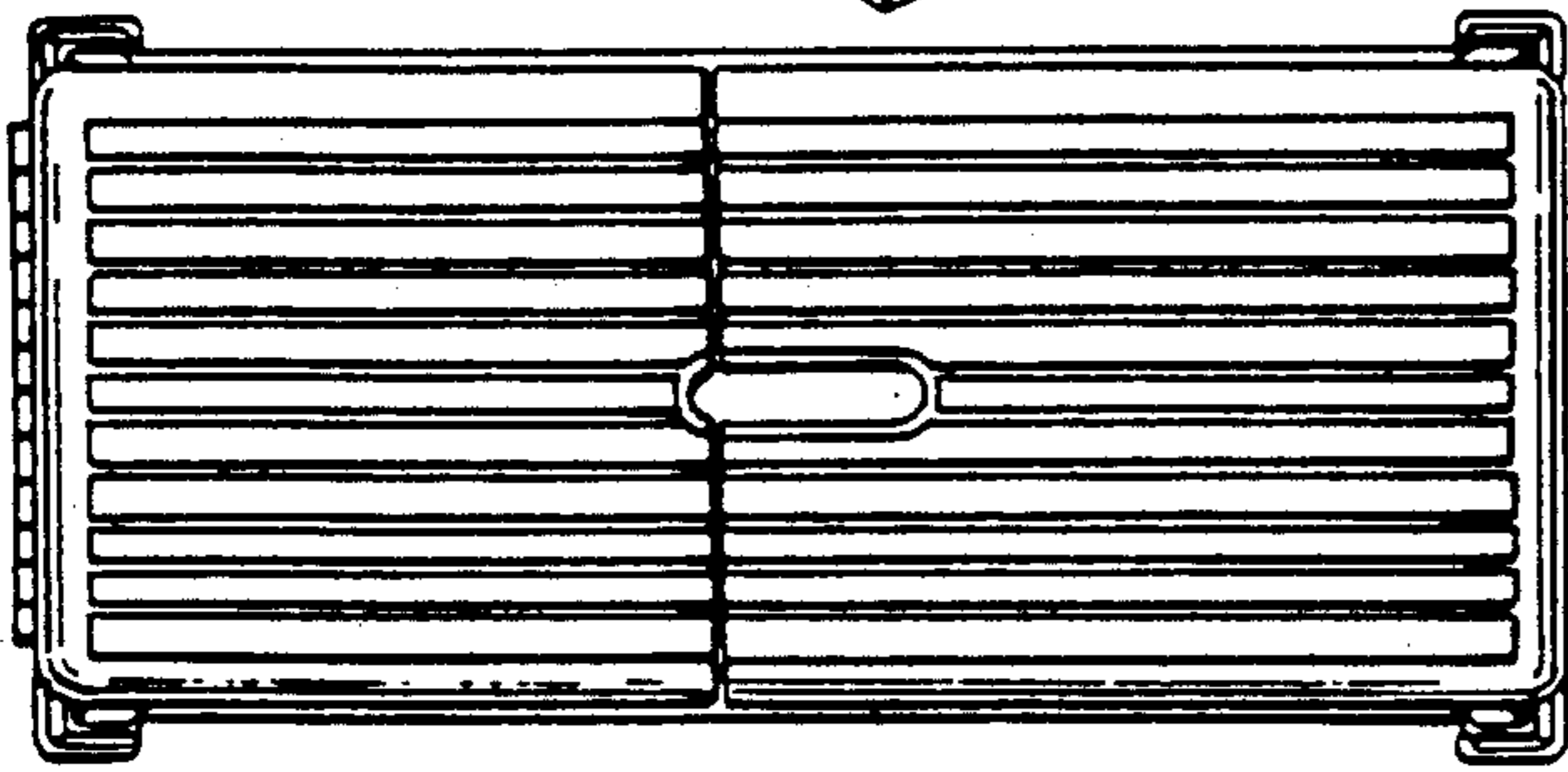


FIG. 21

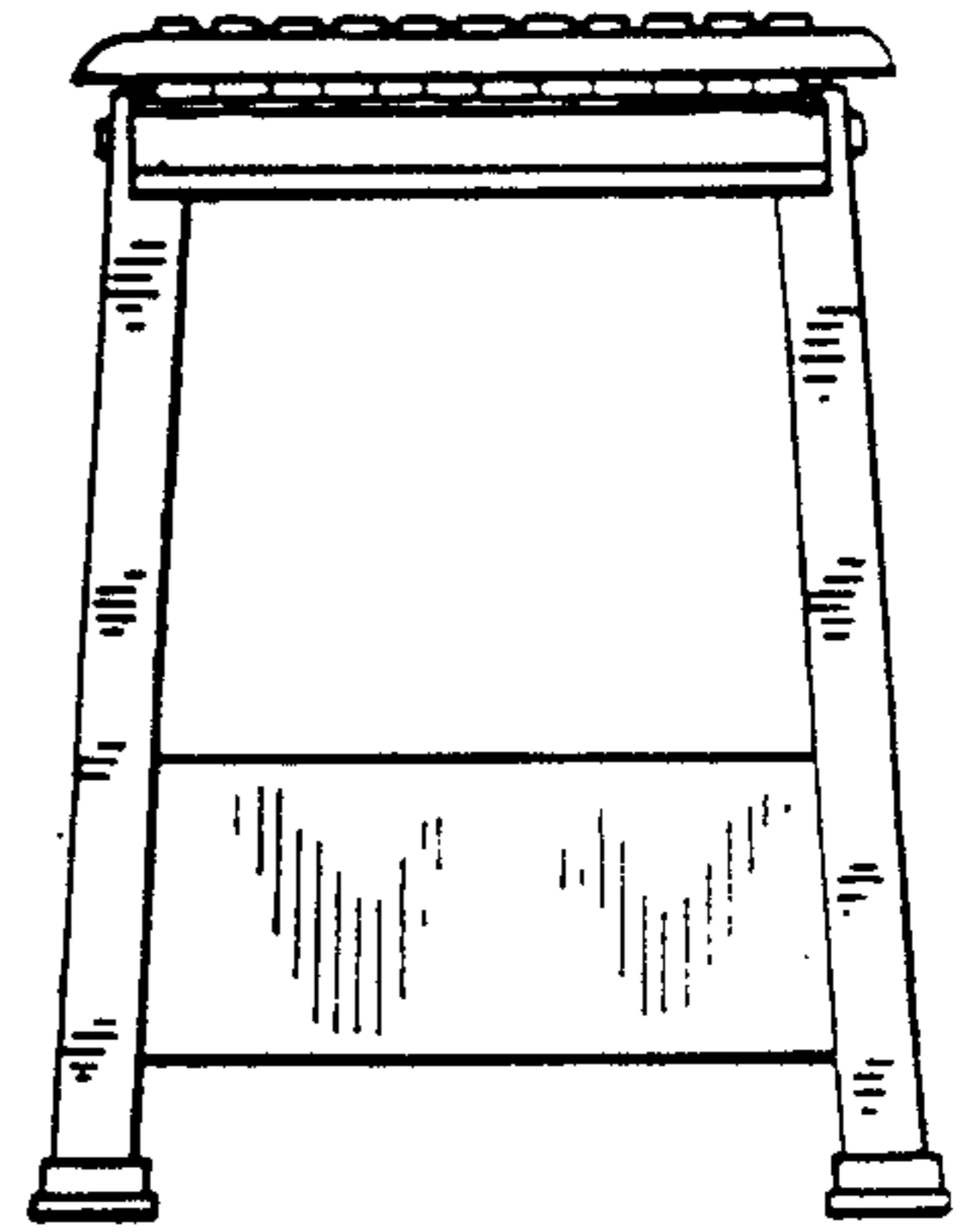


FIG. 20

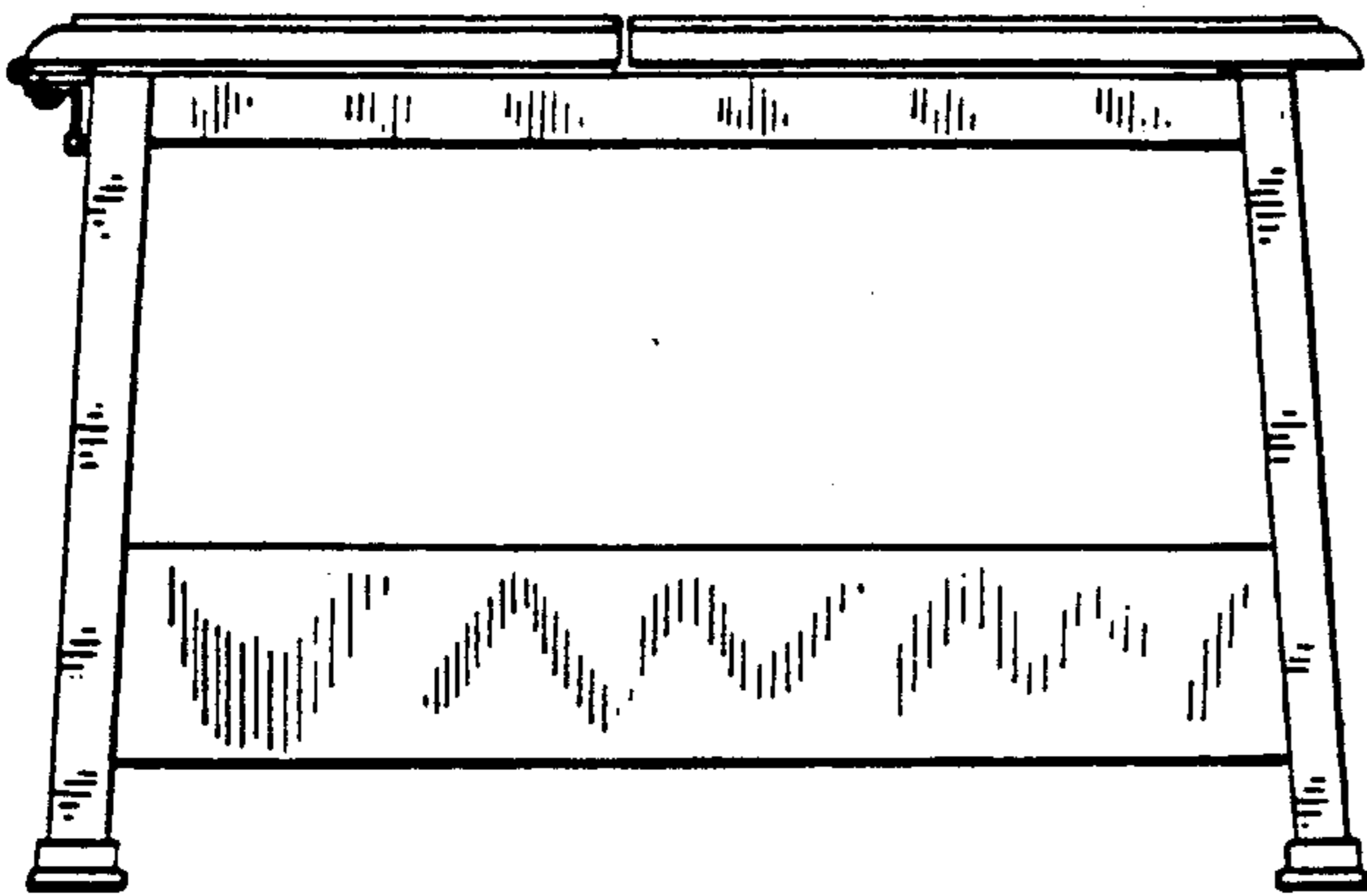


FIG. 22

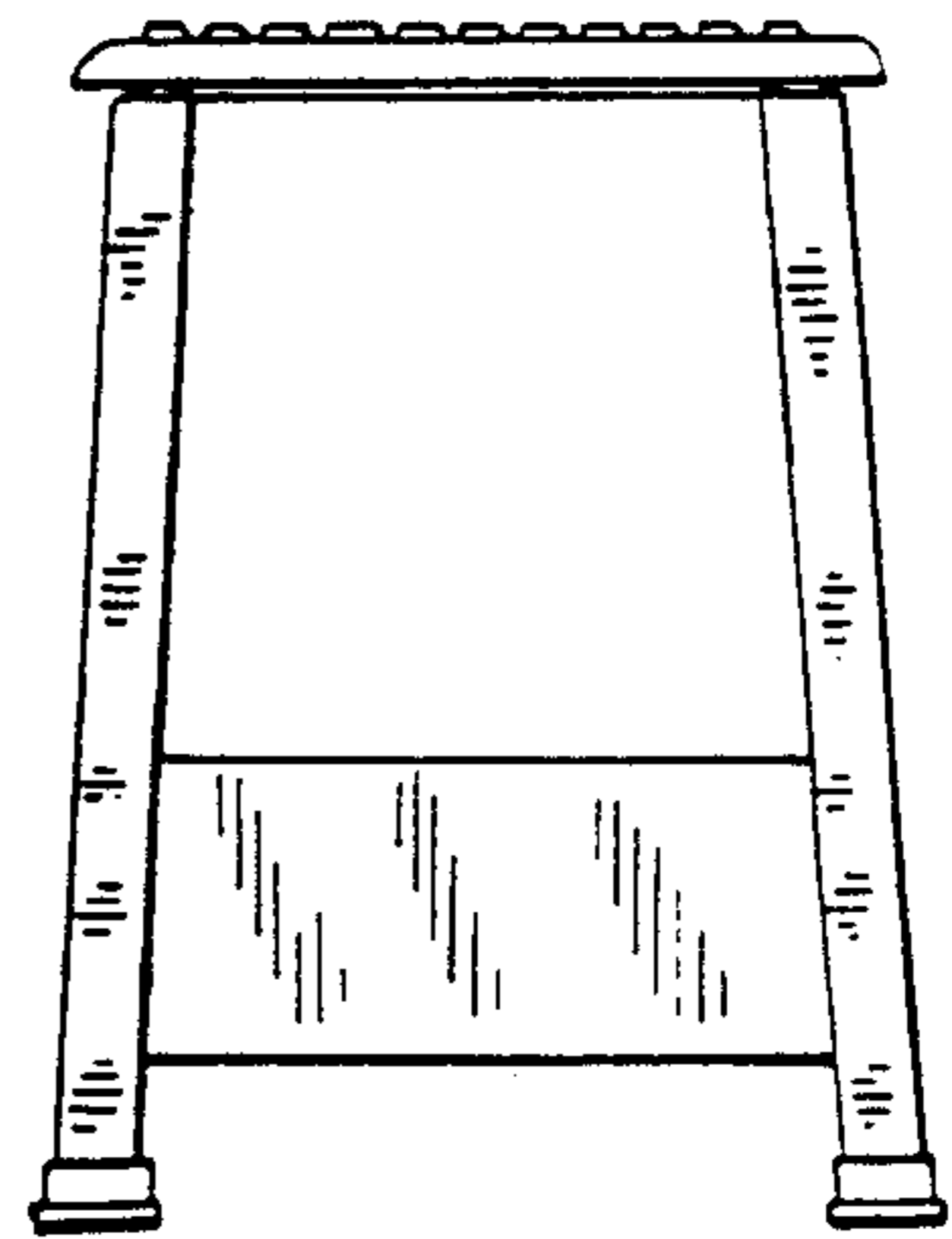


FIG. 23

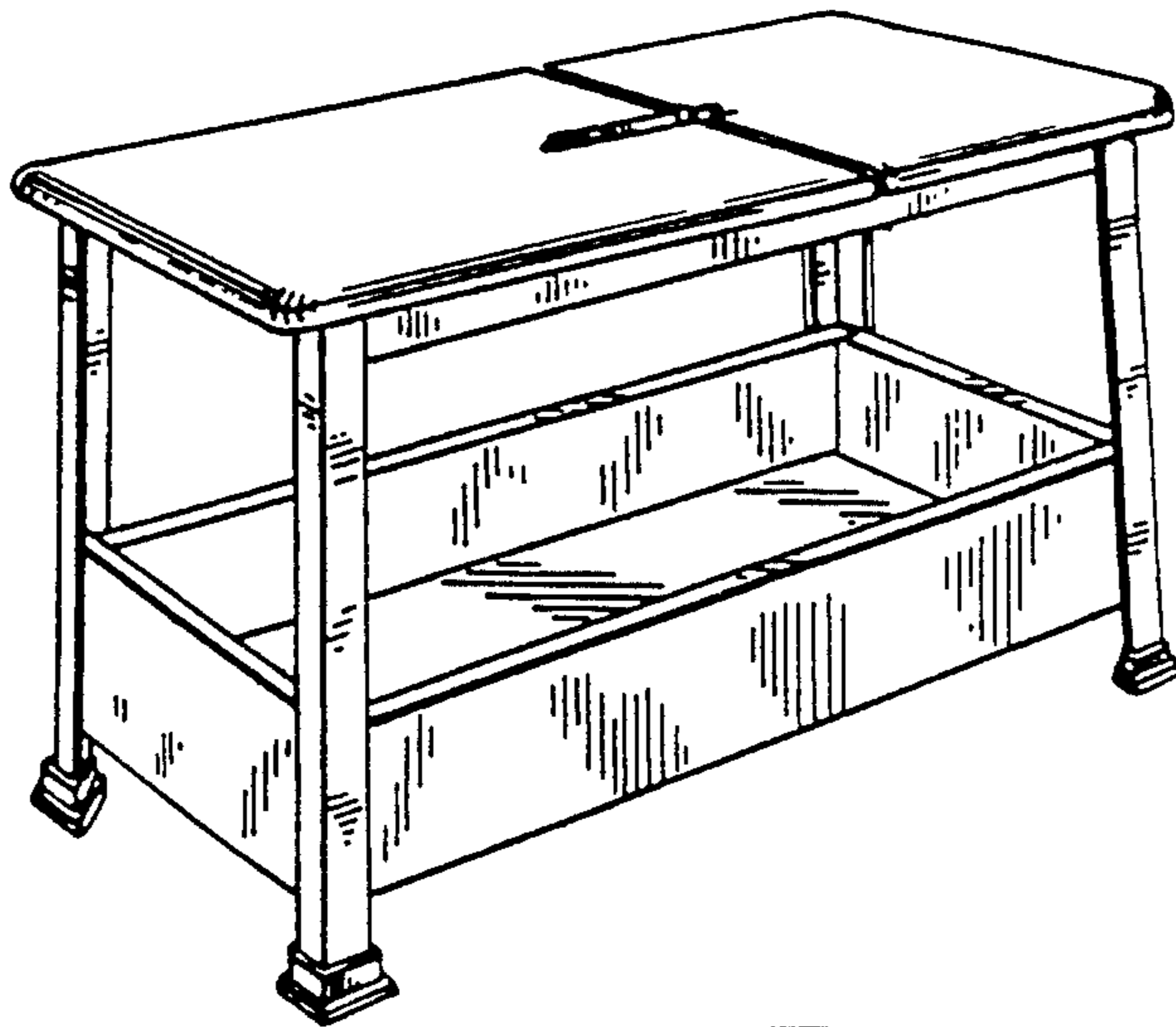


FIG. 24

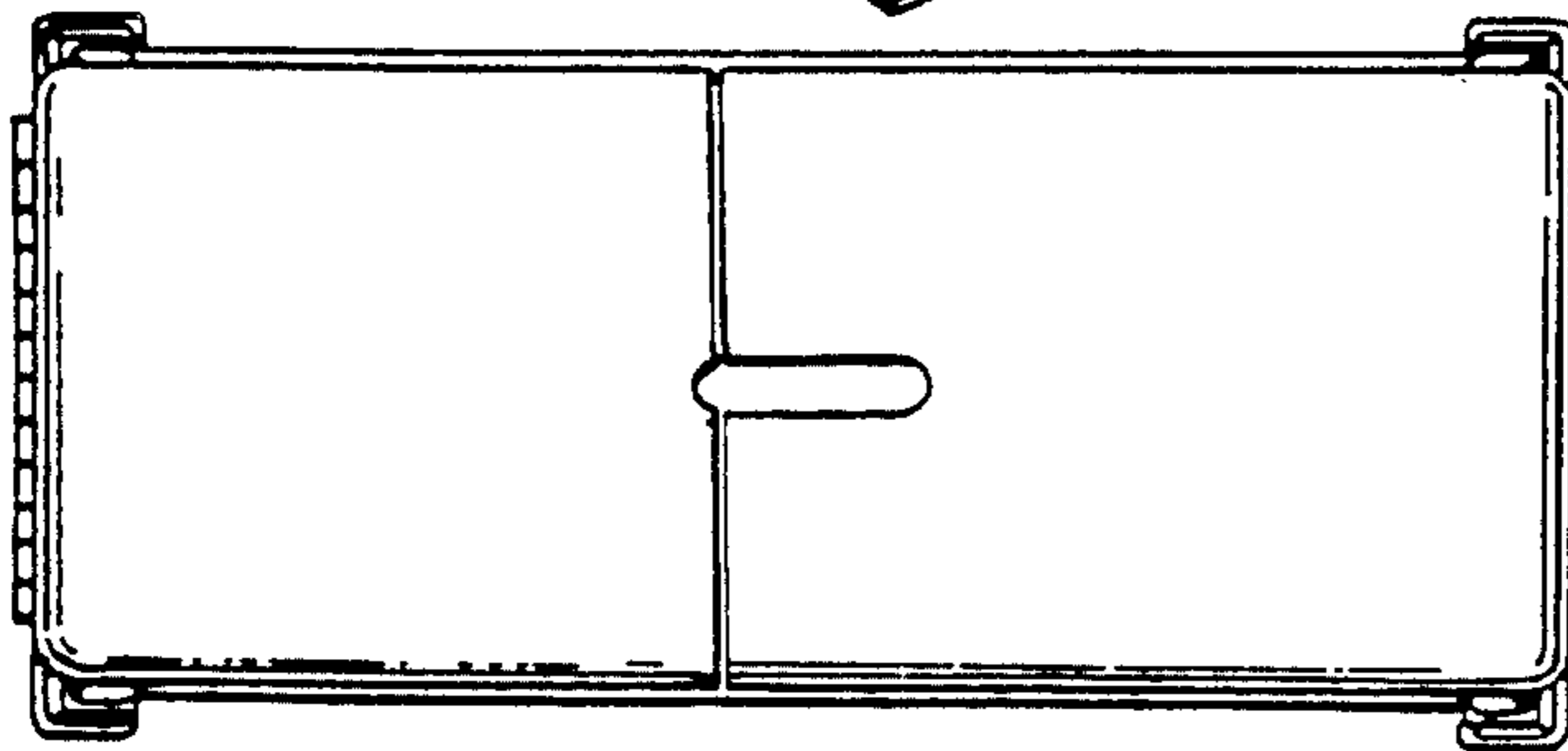


FIG. 26

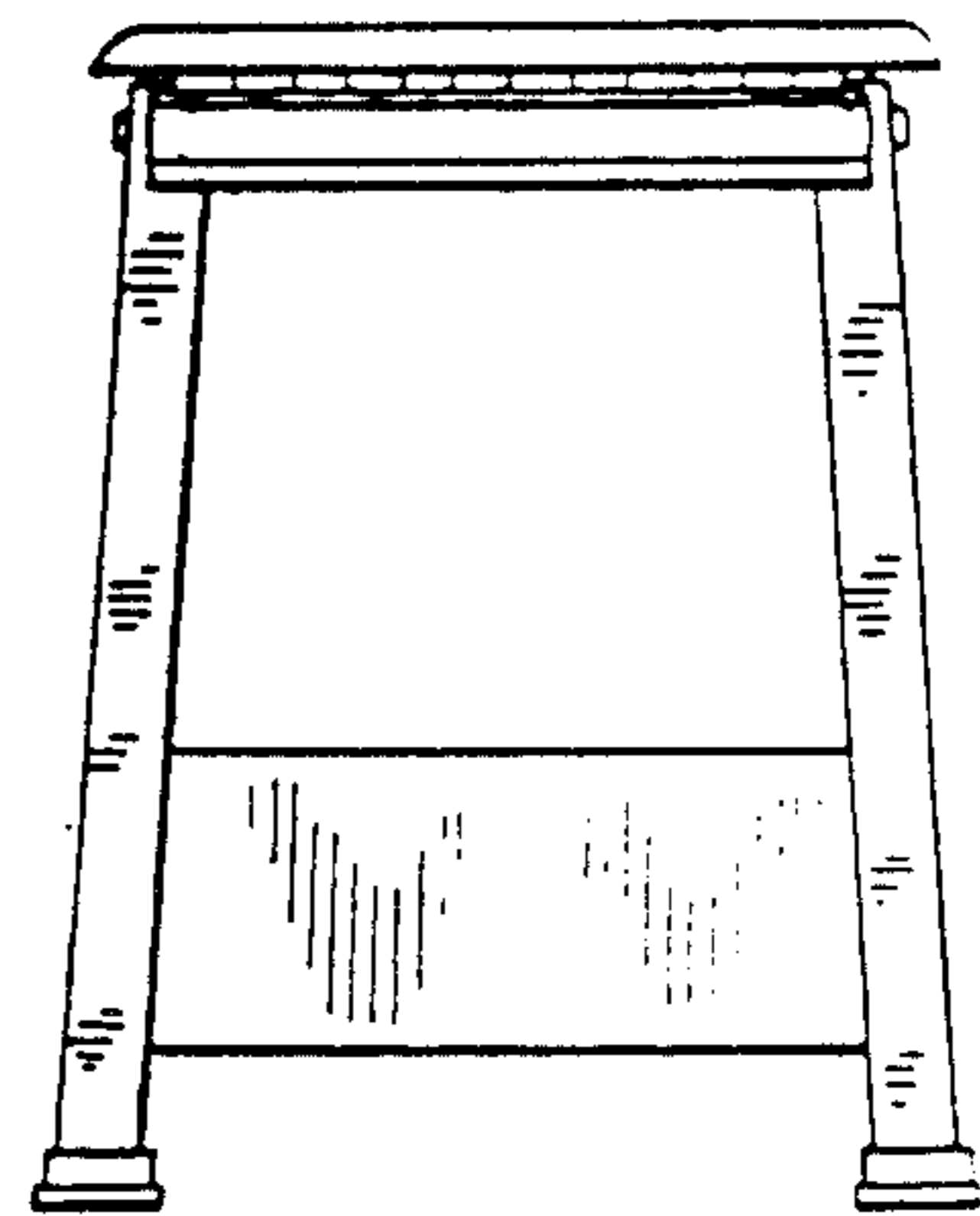


FIG. 25

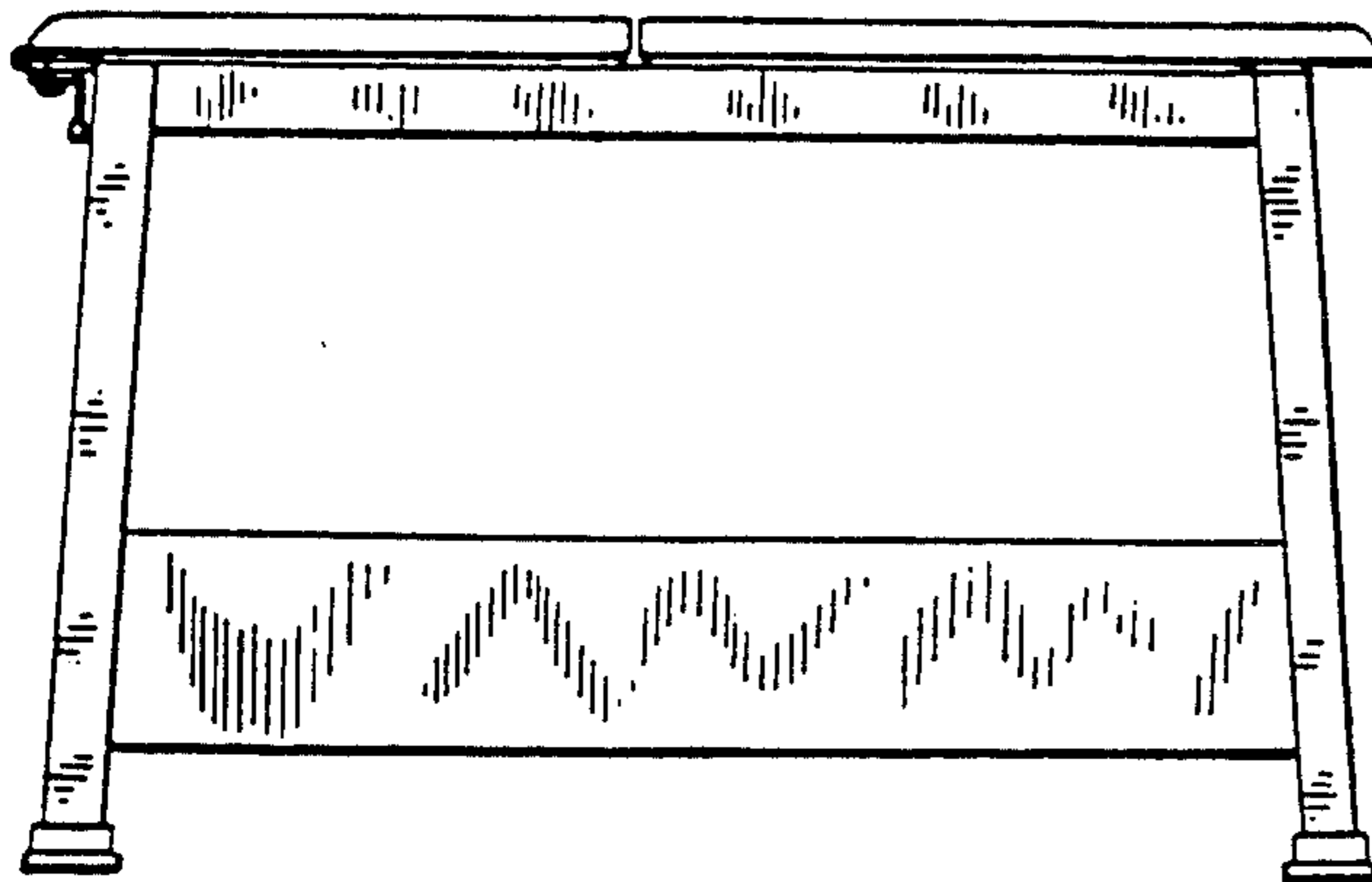


FIG. 27

