

[54] **CONNECTOR FOR A PICTURE FRAME**

[75] **Inventor: Takeo Komamura, Matsudo, Japan**

[73] **Assignee: Japan Art Kikaku Co., Ltd., Saitama, Japan**

[\*\*] **Term: 14 Years**

[21] **Appl. No.: 9,907**

[22] **Filed: Feb. 2, 1987**

**Related U.S. Application Data**

[62] **Division of Ser. No. 630,972, Jul. 16, 1984.**

[30] **Foreign Application Priority Data**

Jul. 18, 1983	[JP]	Japan	58-111122
Jul. 18, 1983	[JP]	Japan	58-111123
Jul. 18, 1983	[JP]	Japan	58-111124
Jul. 18, 1983	[JP]	Japan	58-111125
Jul. 18, 1983	[JP]	Japan	58-111126

[52] **U.S. Cl. .... D6/300; D11/164**

[58] **Field of Search** ..... D6/300-310,  
D6/312-314; D11/131-133, 140, 164; 428/13,  
14; 40/150-152.2, 154

[56] **References Cited**

**U.S. PATENT DOCUMENTS**

1,891,422 12/1932 Johannsen ..... 40/154 X

*Primary Examiner*—Louis S. Zarfes

*Attorney, Agent, or Firm*—Kalish & Gilster

[57] **CLAIM**

The ornamental design for connector for a picture frame, as shown and described.

**DESCRIPTION**

FIG. 1 is a front perspective view of connector for a picture frame showing my new design.

FIG. 2 is a rear perspective view of the improved connector for picture frame shown in FIG. 1.

FIG. 3 is a front perspective view of an improved connector for picture frame showing another embodiment of my new design.

FIG. 4 is a rear perspective view of the improved connector for picture frame shown in FIG. 3.

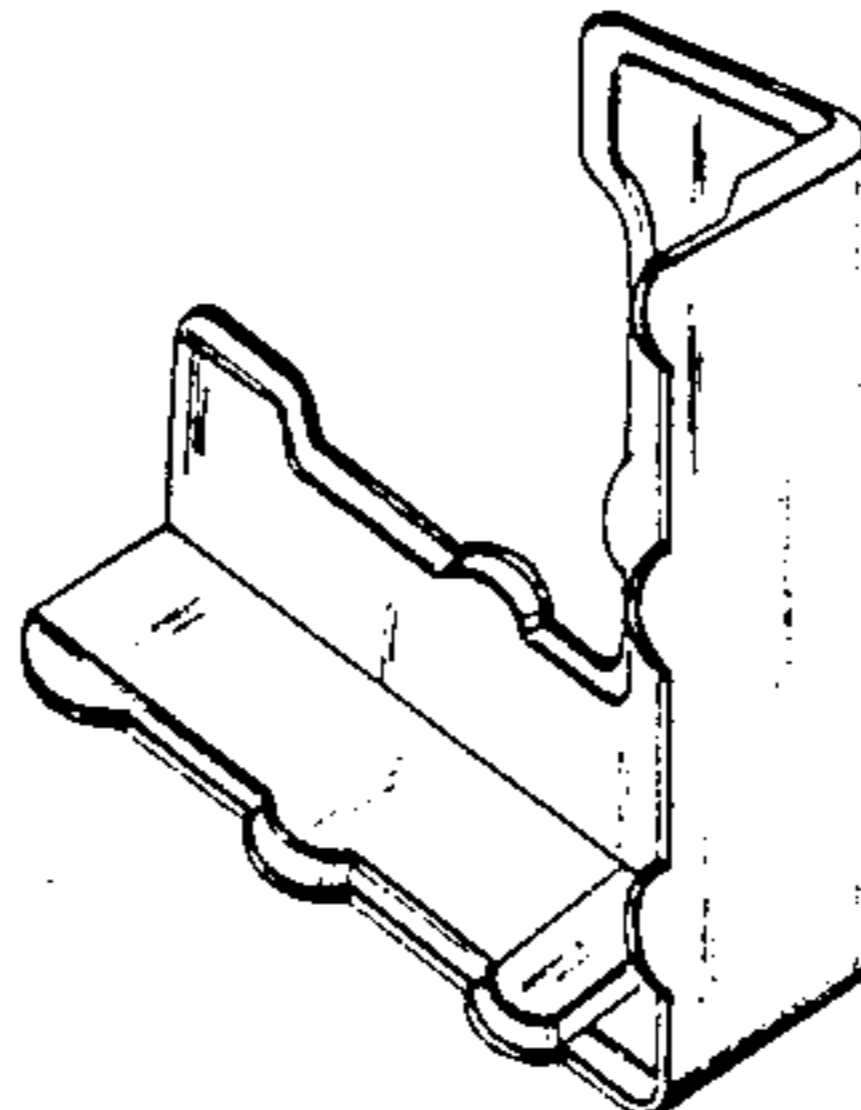
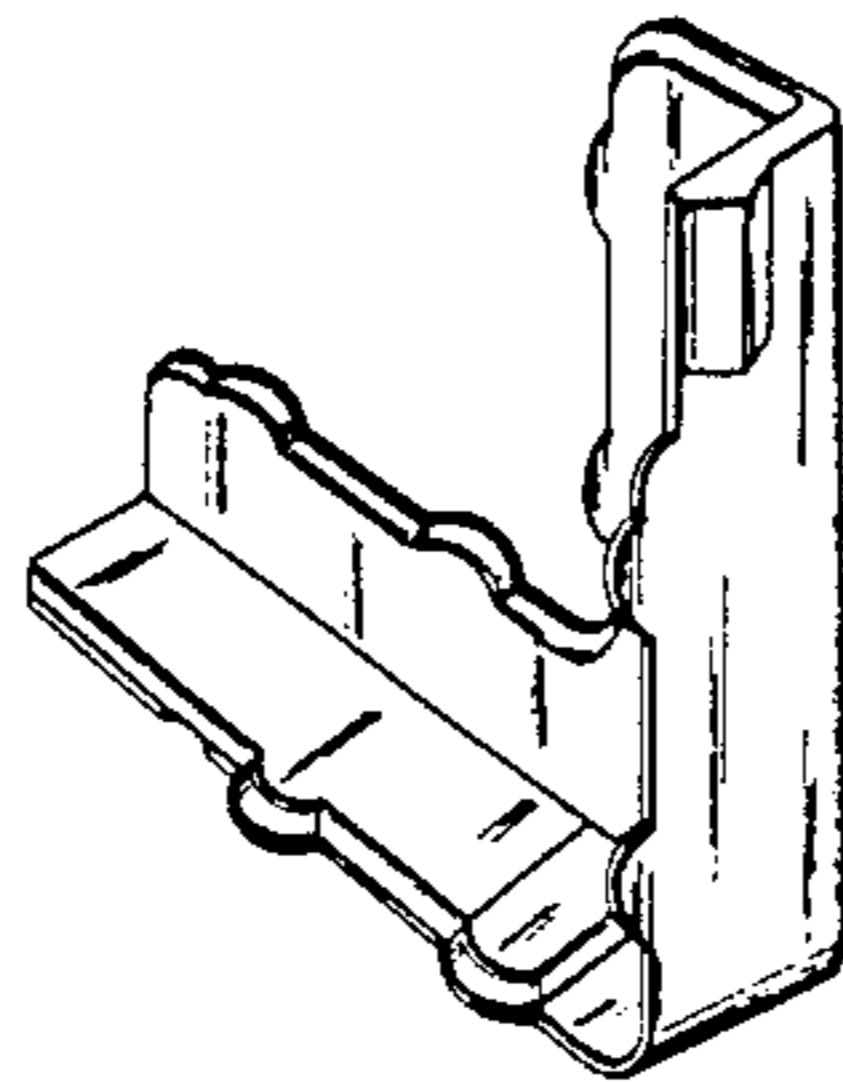


FIG. 1

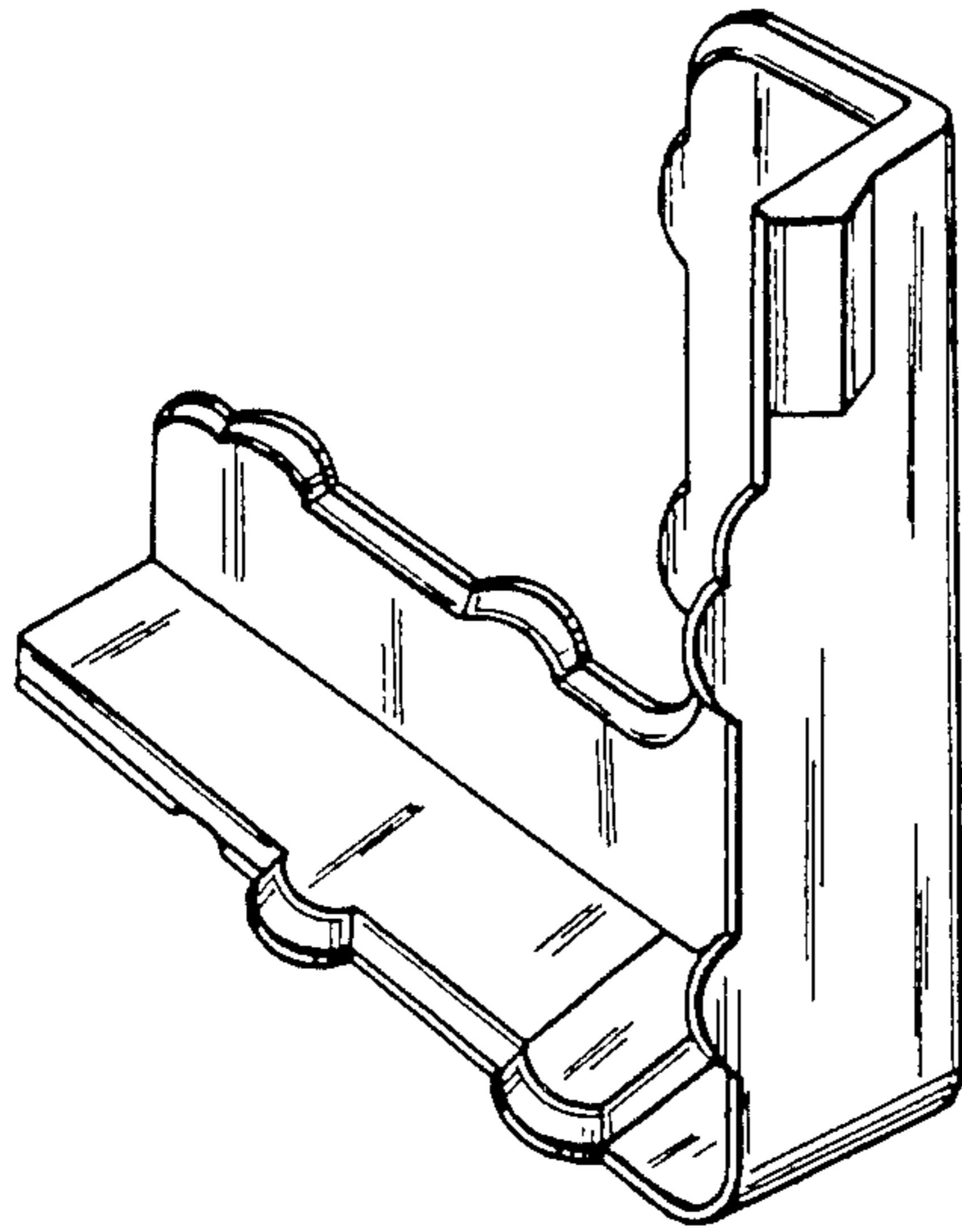


FIG. 2

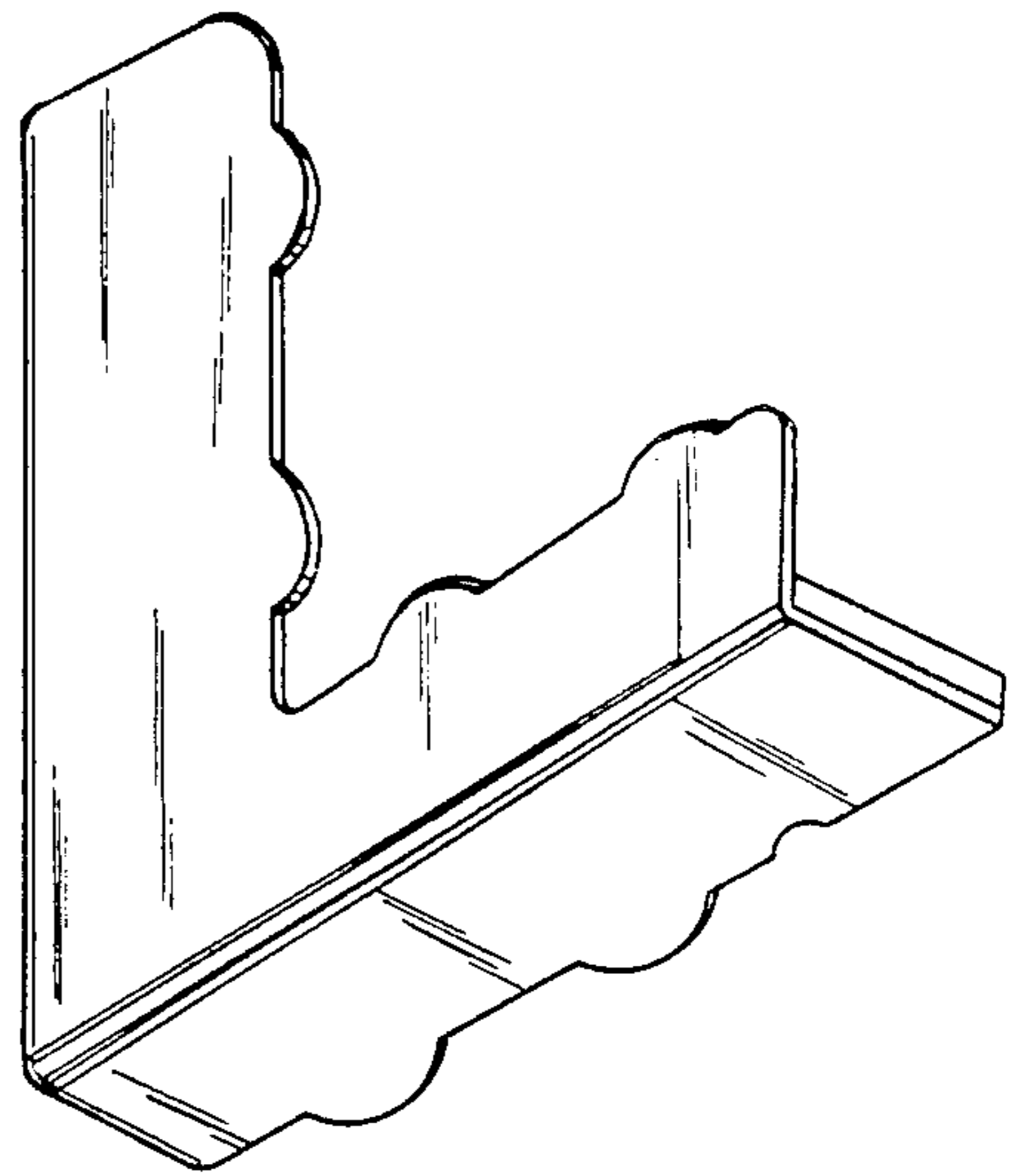


FIG. 3

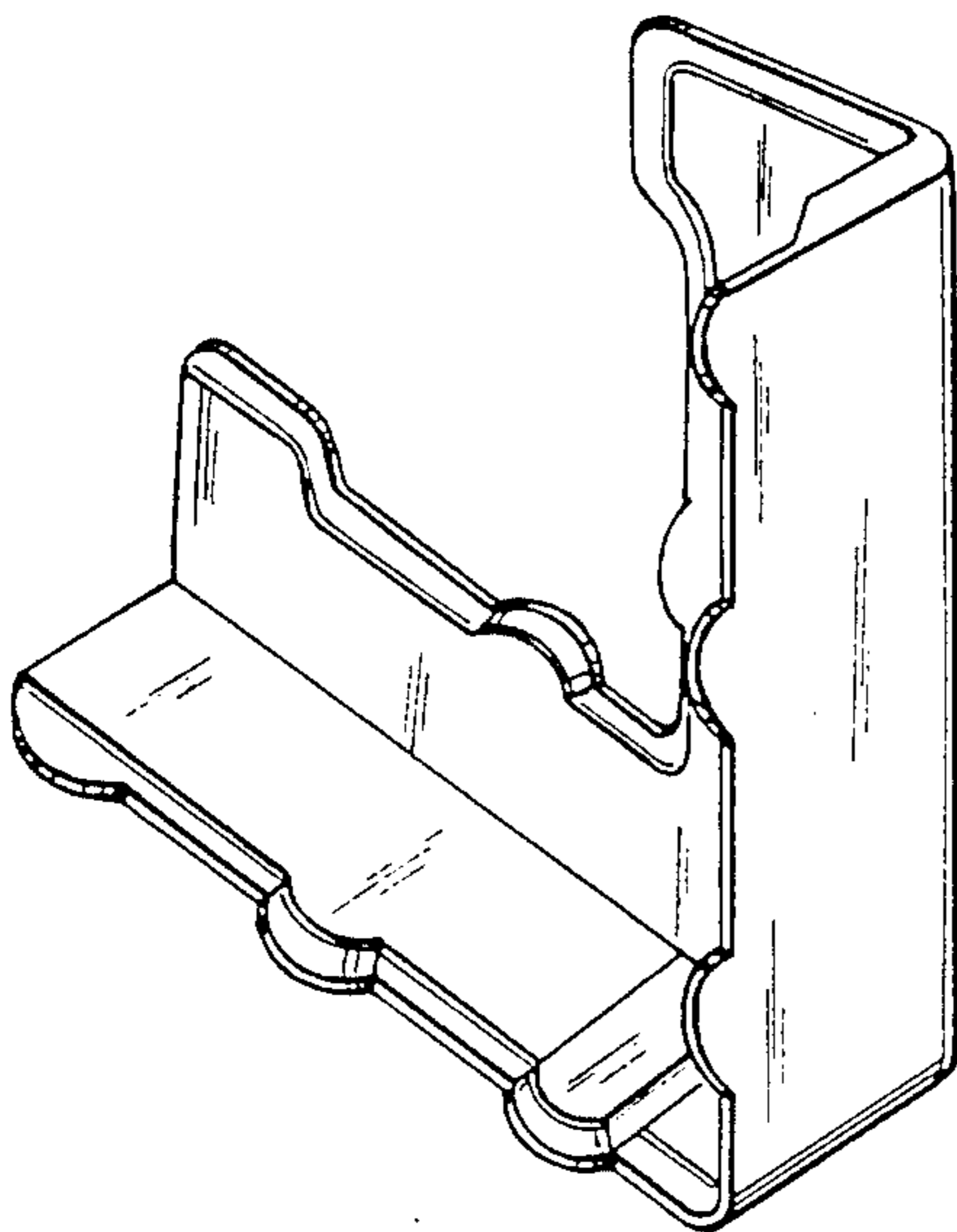


FIG. 4

