

[54] REFUSE CONTAINER SUPPORT

[76] Inventor: Norma J. Burgett, 1017 W. 7th St., Beardstown, Ill. 62618

[\*\*] Term: 14 Years

[21] Appl. No.: 758,875

[22] Filed: Jul. 25, 1985

[52] U.S. Cl. .... D34/6

[58] Field of Search ..... D34/1, 5, 6; 248/95-101, DIG. 7, 156, 146; 220/18.1; D6/417; D8/396; 211/71

[56] References Cited

U.S. PATENT DOCUMENTS

D. 227,849	7/1973	Snoddy .....	D34/6
D. 230,951	3/1974	Marchese .....	D8/396
D. 260,475	9/1981	Hall .....	D34/6
1,591,845	7/1926	Kurtz .....	248/146
2,203,632	6/1940	Munsun et al. ....	248/DIG. 7

2,448,456	8/1948	Niskanen .....	211/71
2,501,895	3/1950	Gayle .....	248/146
2,646,955	7/1953	Russell .....	248/DIG. 7
3,276,733	10/1966	Rosser .....	248/146
3,933,328	1/1976	Michelbrink .....	248/146
4,319,726	3/1982	Andersson .....	248/97
4,334,661	6/1982	Pitt .....	248/146

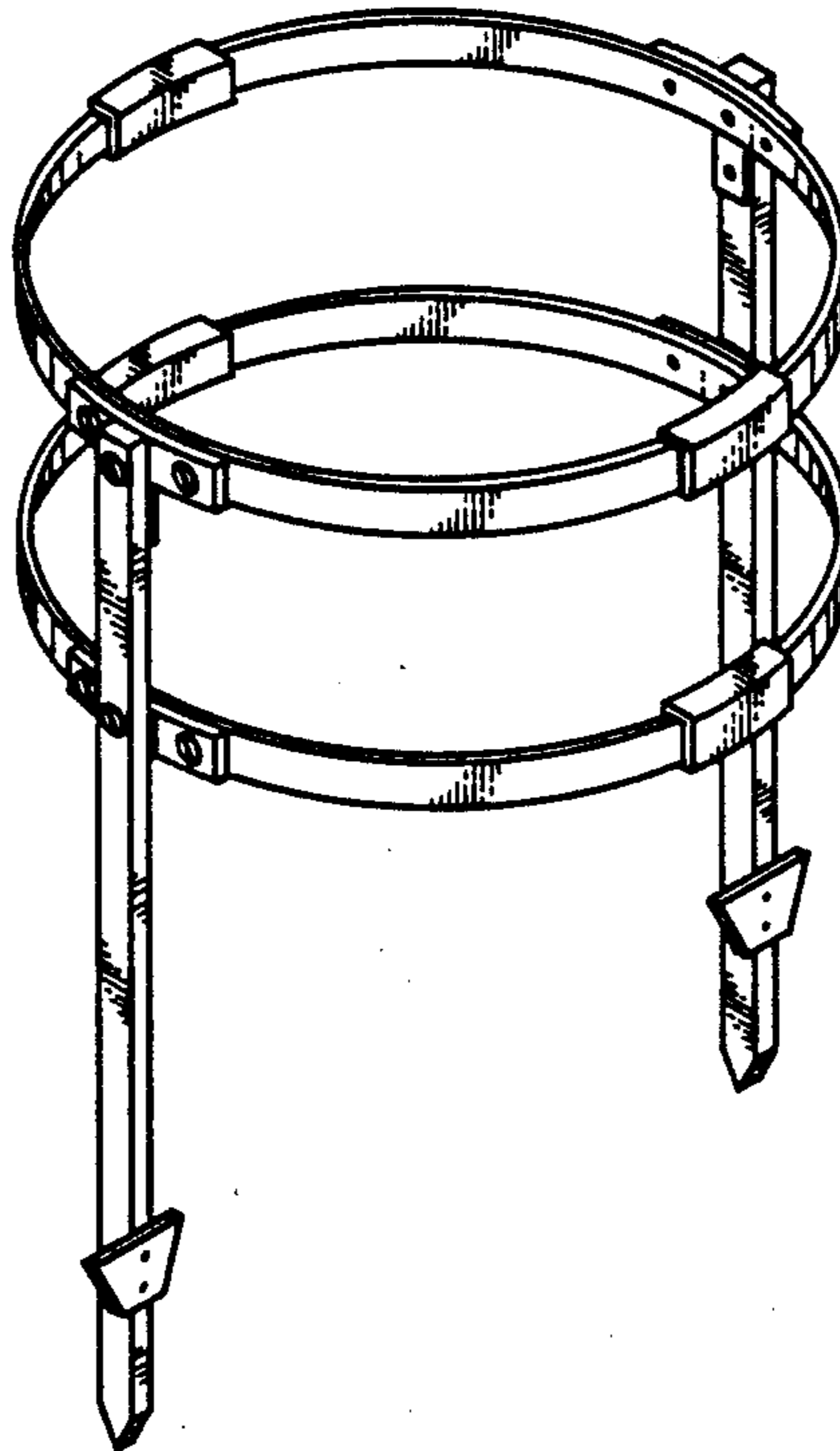
Primary Examiner—James M. Gandy  
Assistant Examiner—Kay H. Chin  
Attorney, Agent, or Firm—W. C. Tupman

[57] CLAIM

The ornamental design for a refuse container support, substantially as shown and described.

DESCRIPTION

FIG. 1 is a perspective view of a refuse container support showing my new design; FIG. 2 is a side elevation view thereof; FIG. 3 is another side elevation view thereof; and FIG. 4 is a reduced top plan view thereof.



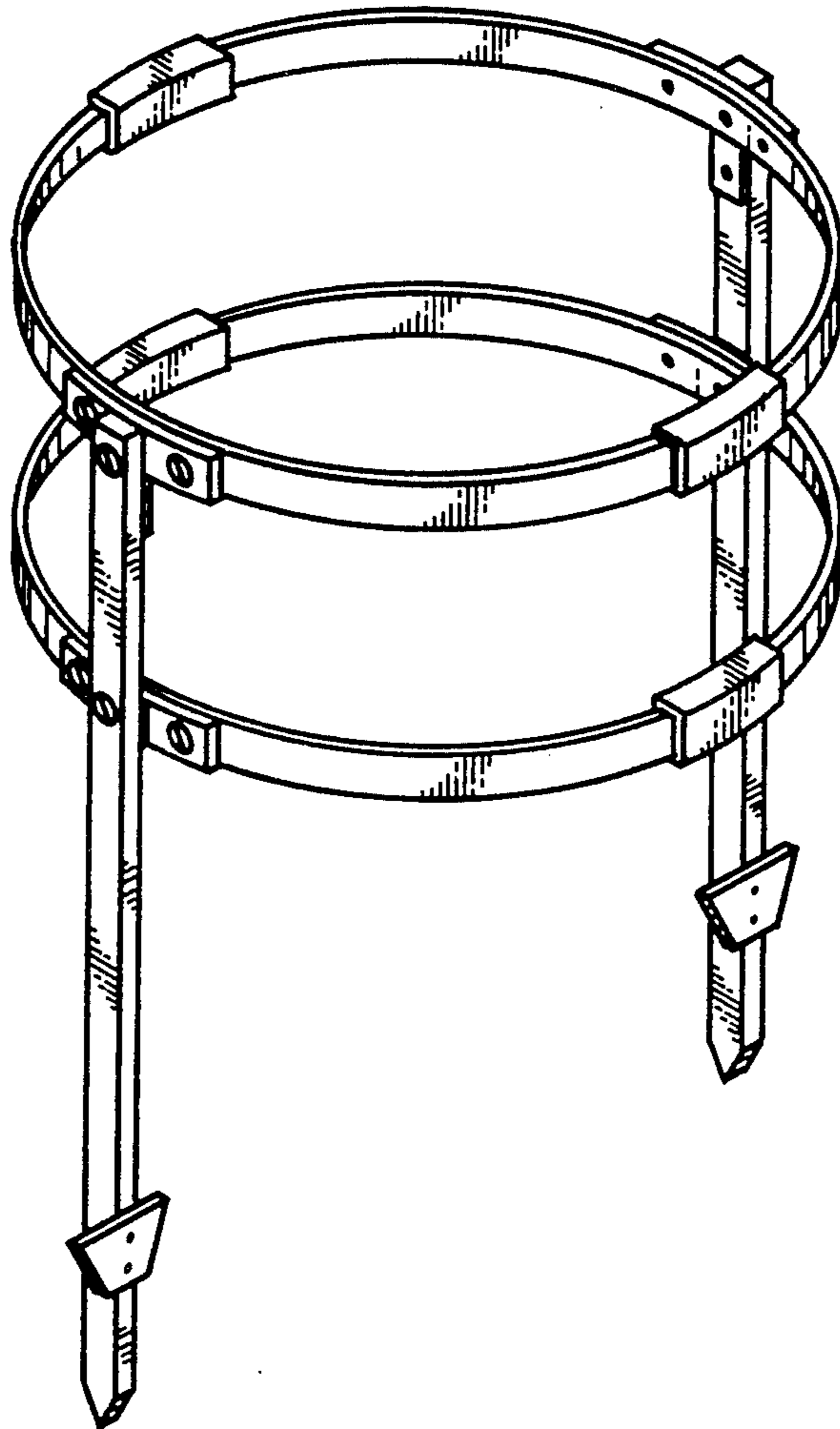


Fig. 1

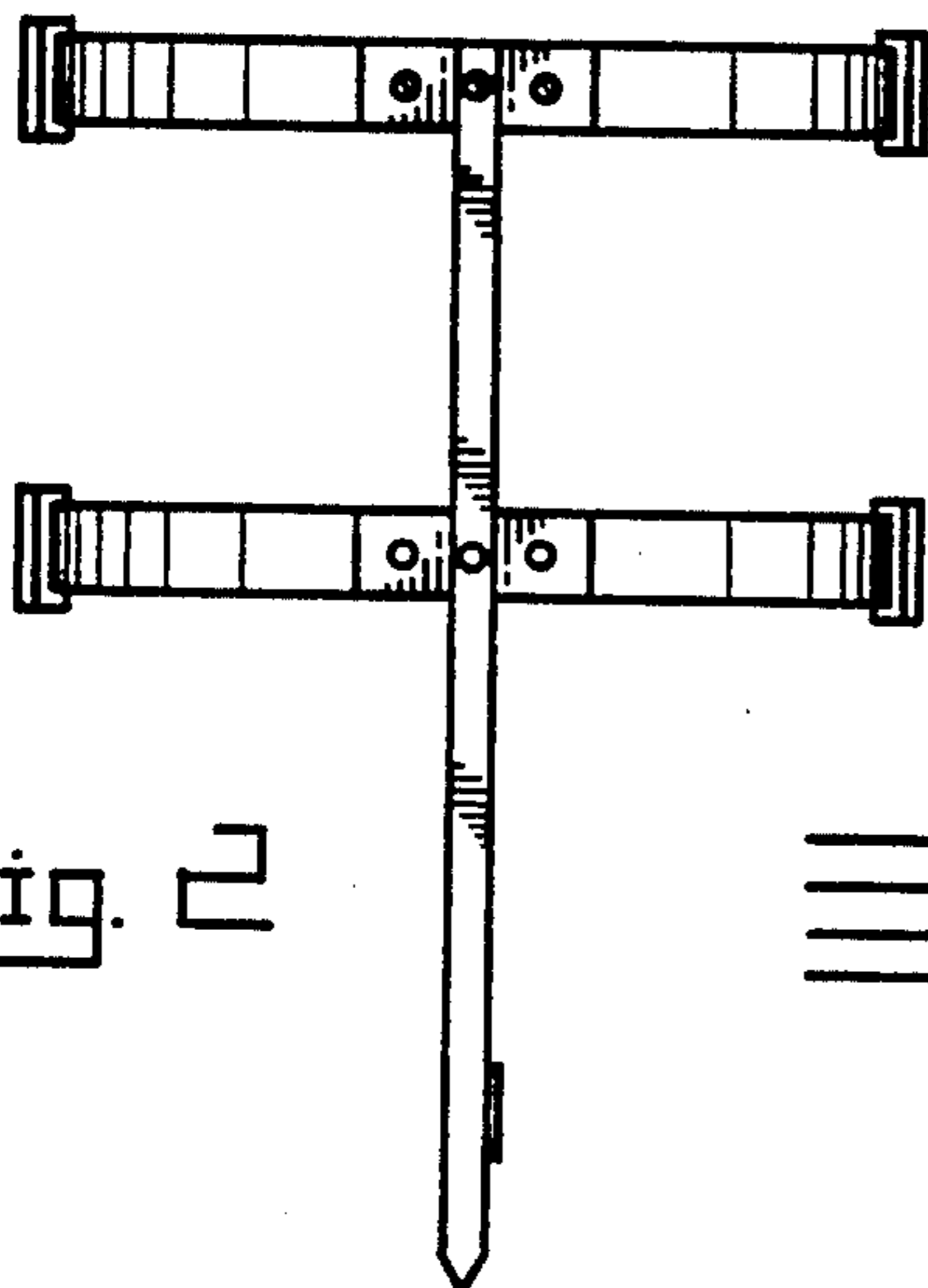


Fig. 2

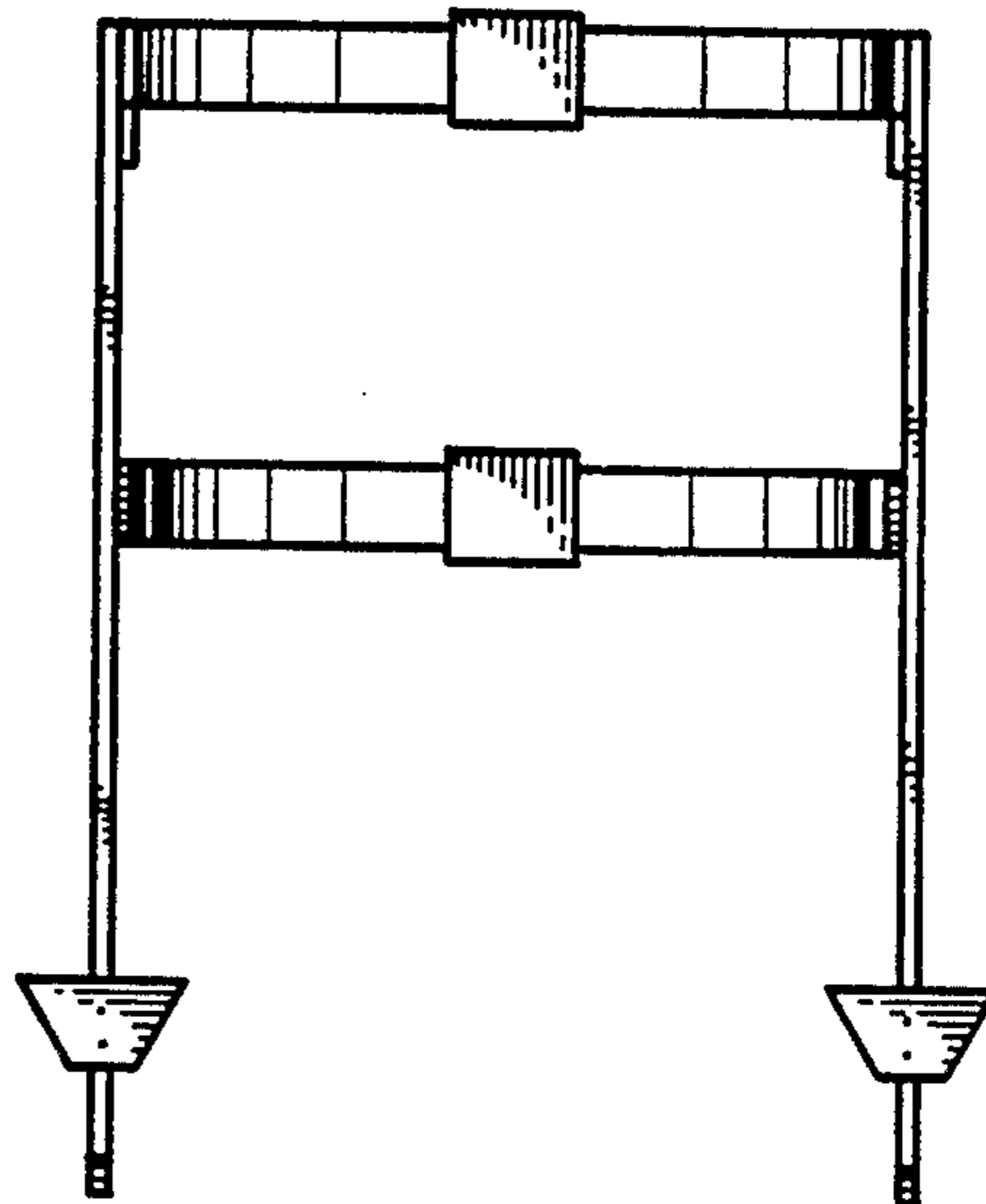


Fig. 3

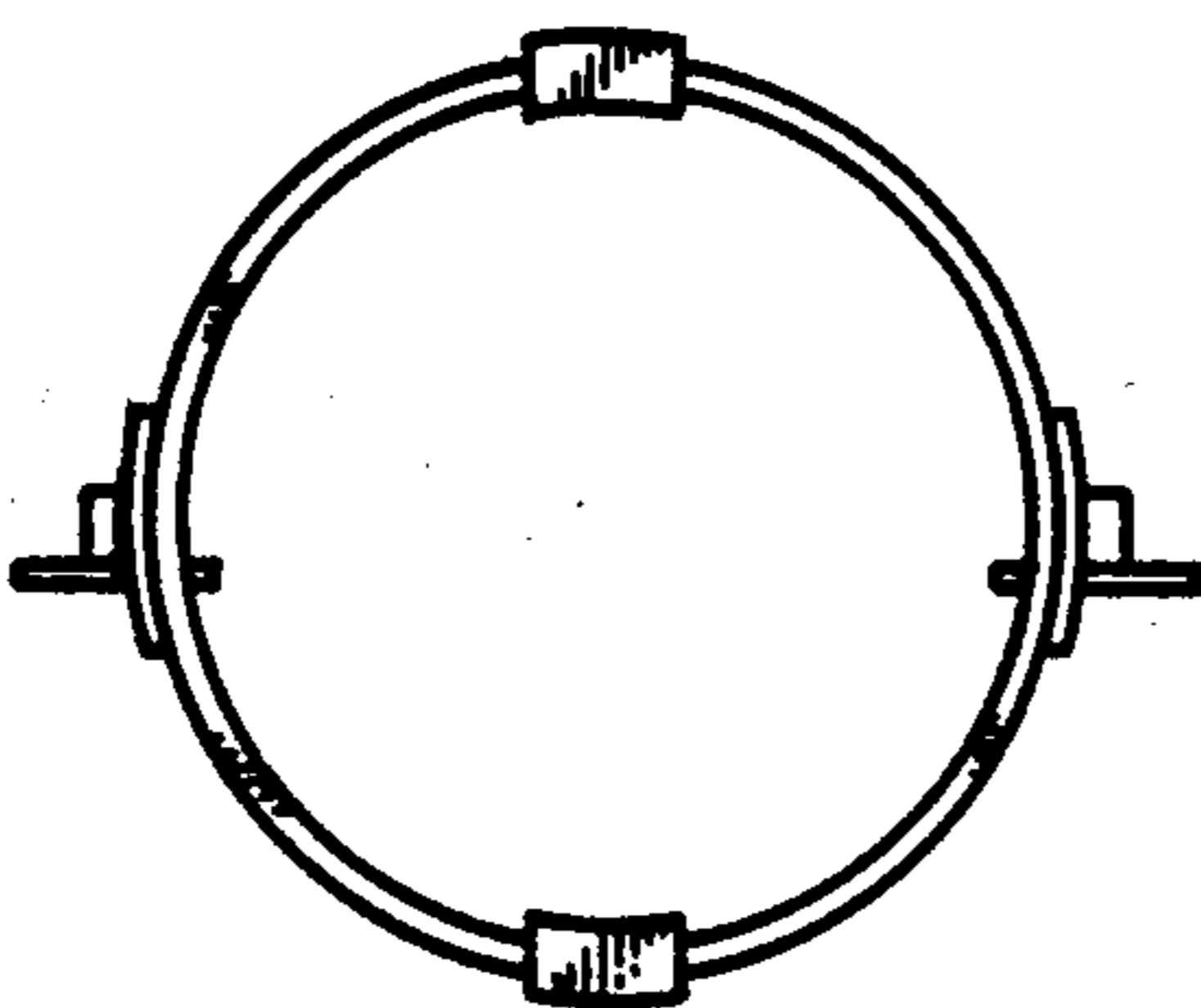


Fig. 4