

[54] ENCLOSURE FOR USE PRIMARILY IN A GARDEN

2,756,541 7/1956 Berger 47/83
4,112,644 9/1978 Allen 52/245

[75] Inventor: Thomas L. Faul, Washago, Canada

FOREIGN PATENT DOCUMENTS

[73] Assignee: Barclay Horticulture Mfg. Ltd.,
Downsview, Canada

268299 7/1962 Australia 220/72

[**] Term: 14 Years

Primary Examiner—James M. Gandy
Assistant Examiner—Kay H. Chin

[21] Appl. No.: 805,220

[57] CLAIM

[22] Filed: Nov. 15, 1985

The ornamental design for enclosure for use primarily in a garden, as shown and described.

[30] Foreign Application Priority Data

DESCRIPTION

Aug. 9, 1985 [CA] Canada 09-08-85-7

[52] U.S. Cl. D34/1

[58] Field of Search D34/1, 5, 6, 11; D7/81;
D9/352; 220/1 T, 72; 47/82, 83; 52/20, 21, 245

FIG. 1 is a perspective view of an enclosure for use primarily in a garden showing my new design;

FIG. 2 is a side elevational view thereof, the opposite side elevational view being a mirror image of that shown;

FIG. 3 is a top plan view thereof;

FIG. 4 is a bottom plan view thereof;

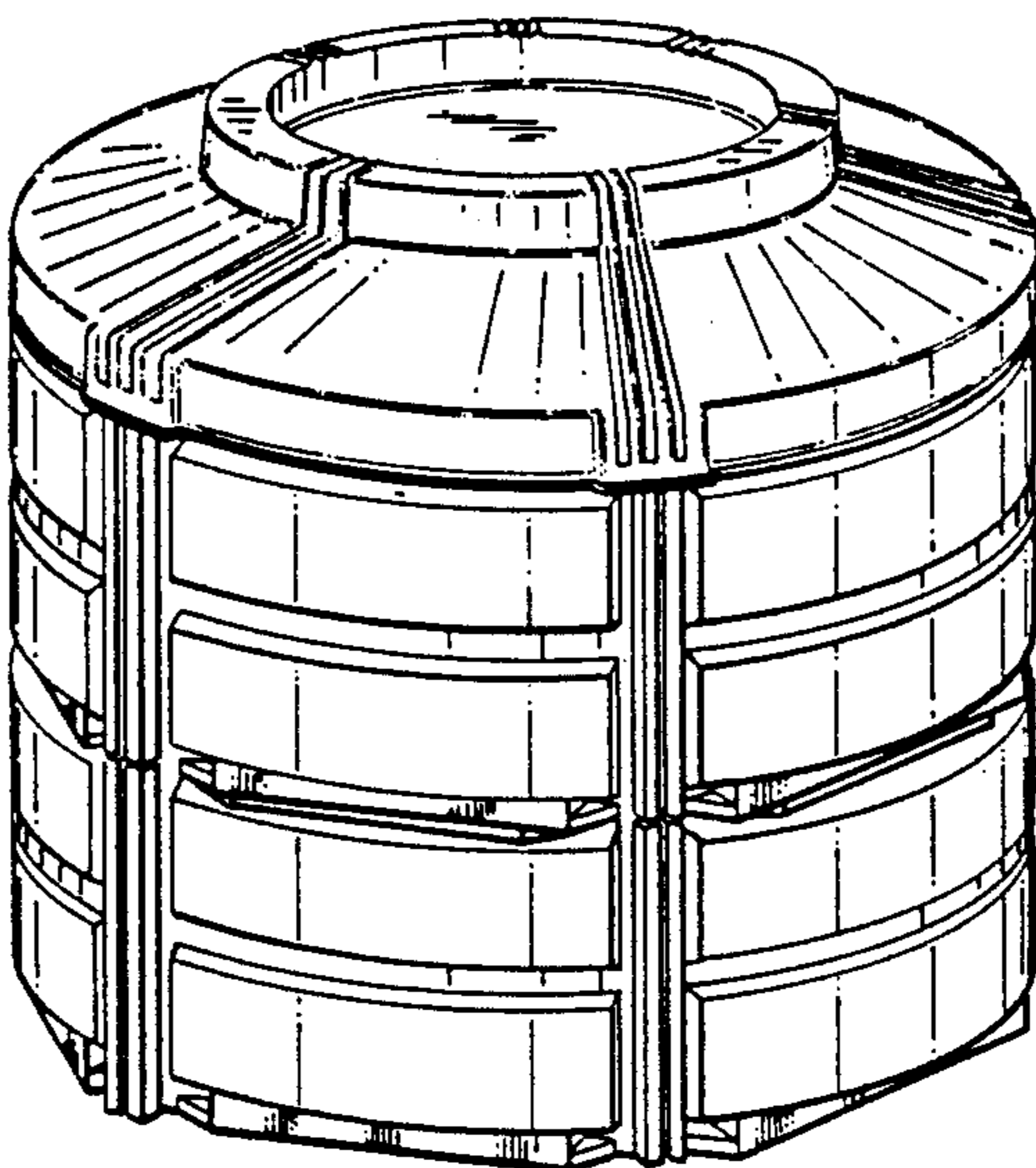
FIG. 5 is a perspective view of an enclosure for use primarily in a garden showing a second embodiment;

FIG. 6 is a top plan view of FIG. 5.

[56] References Cited

U.S. PATENT DOCUMENTS

D. 263,365 3/1982 Arato D34/1
D. 269,046 5/1983 Faul D34/4



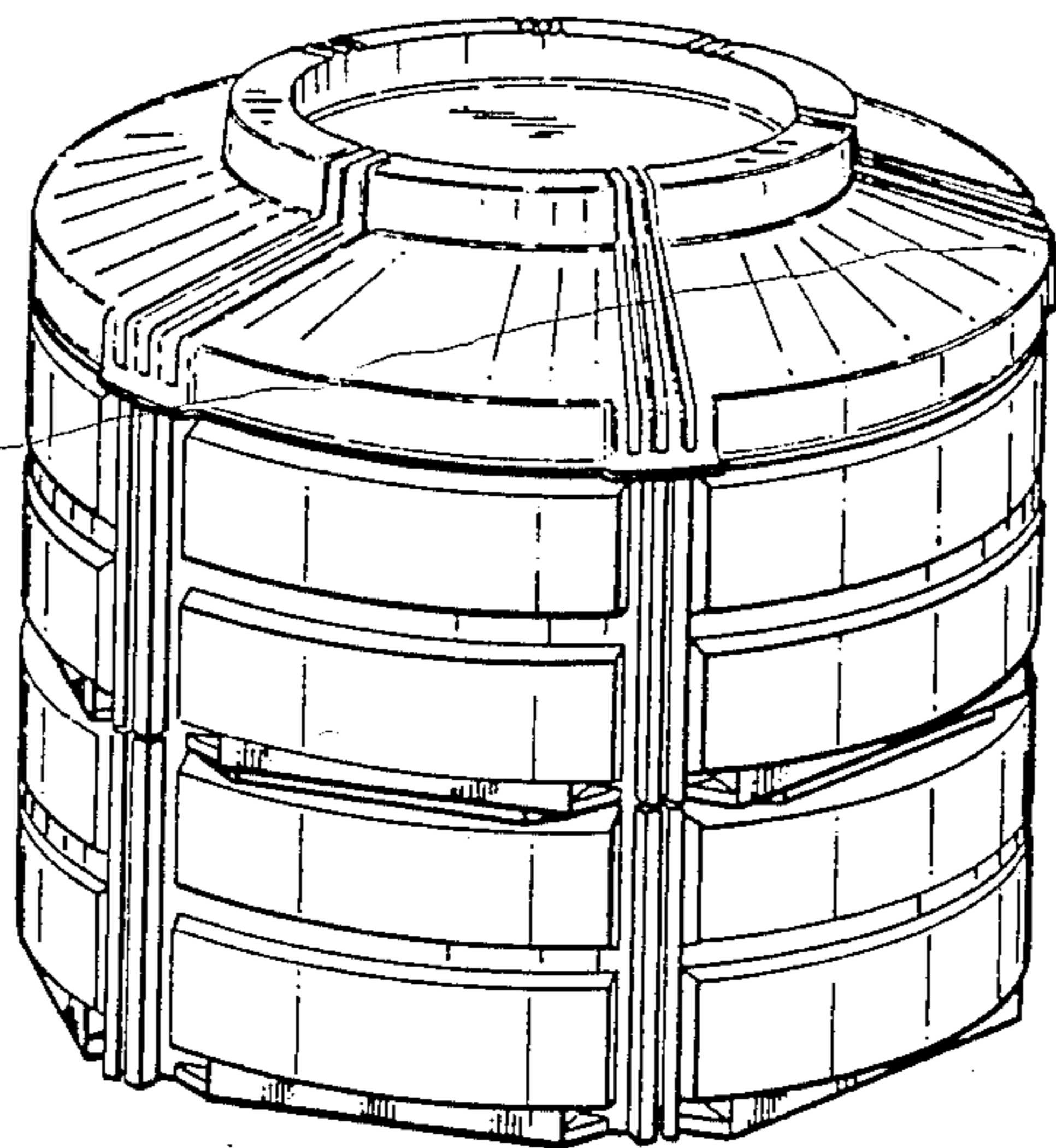
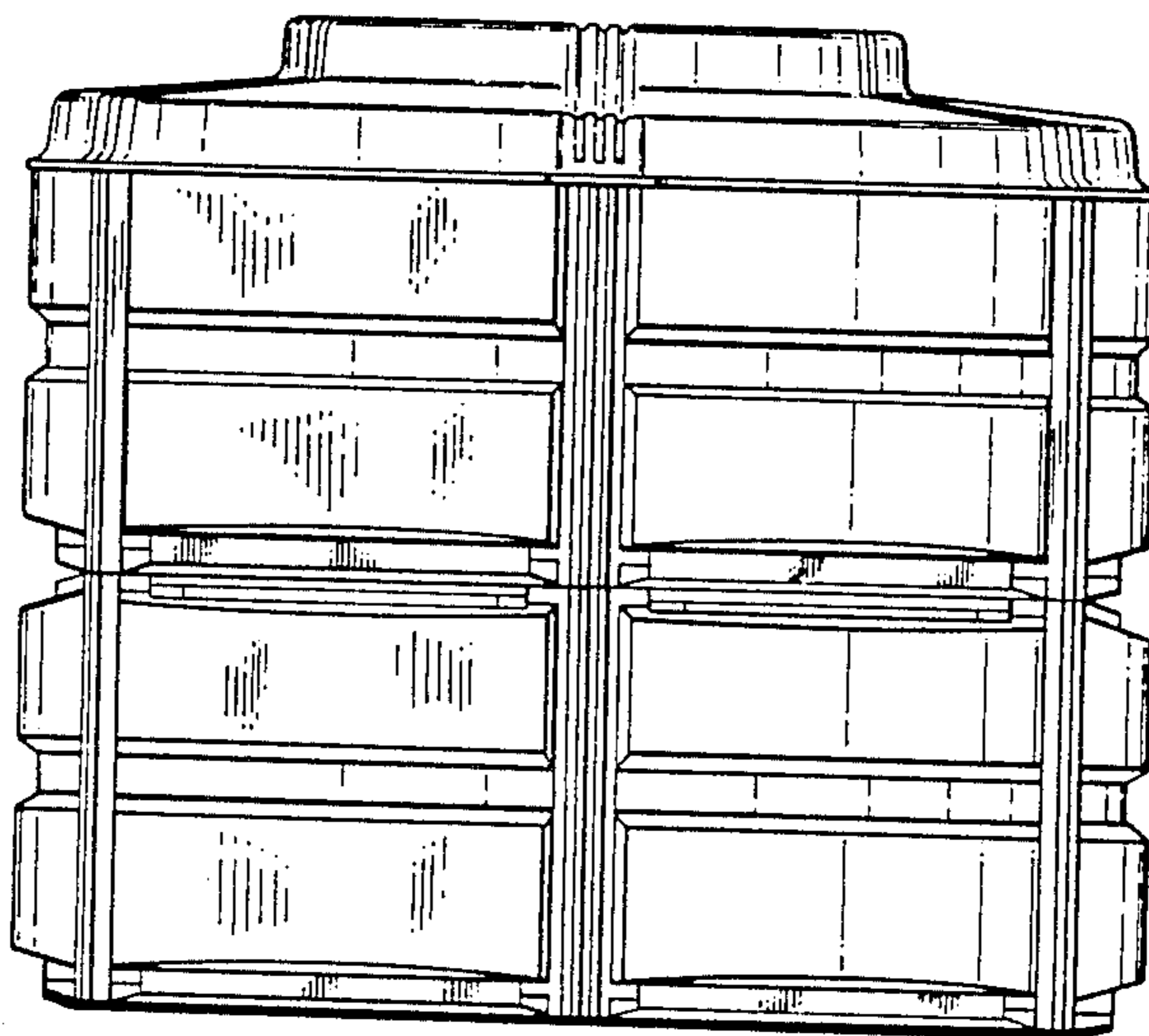


FIG. 1.

FIG. 2.



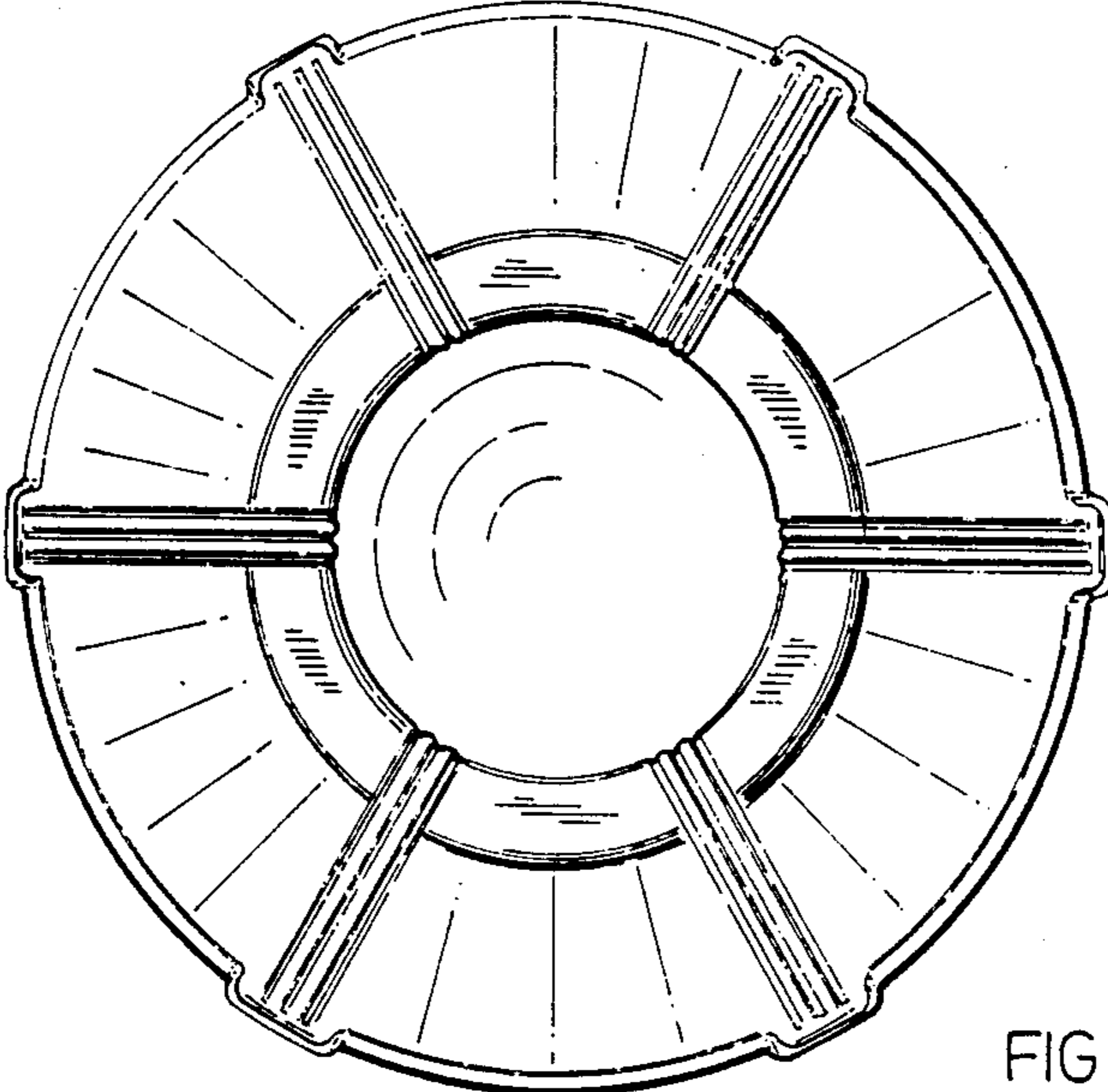


FIG. 3.

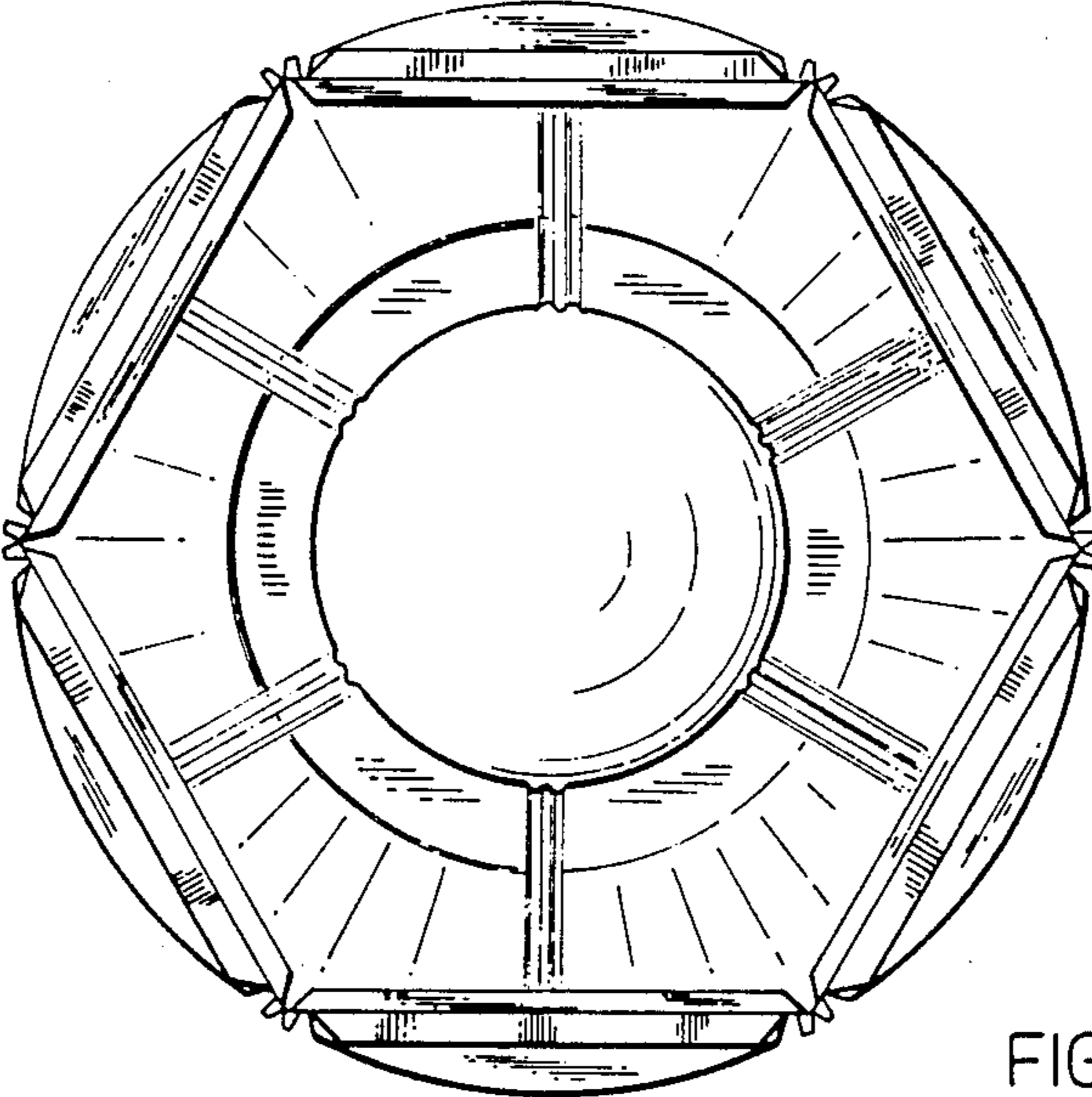


FIG. 4.

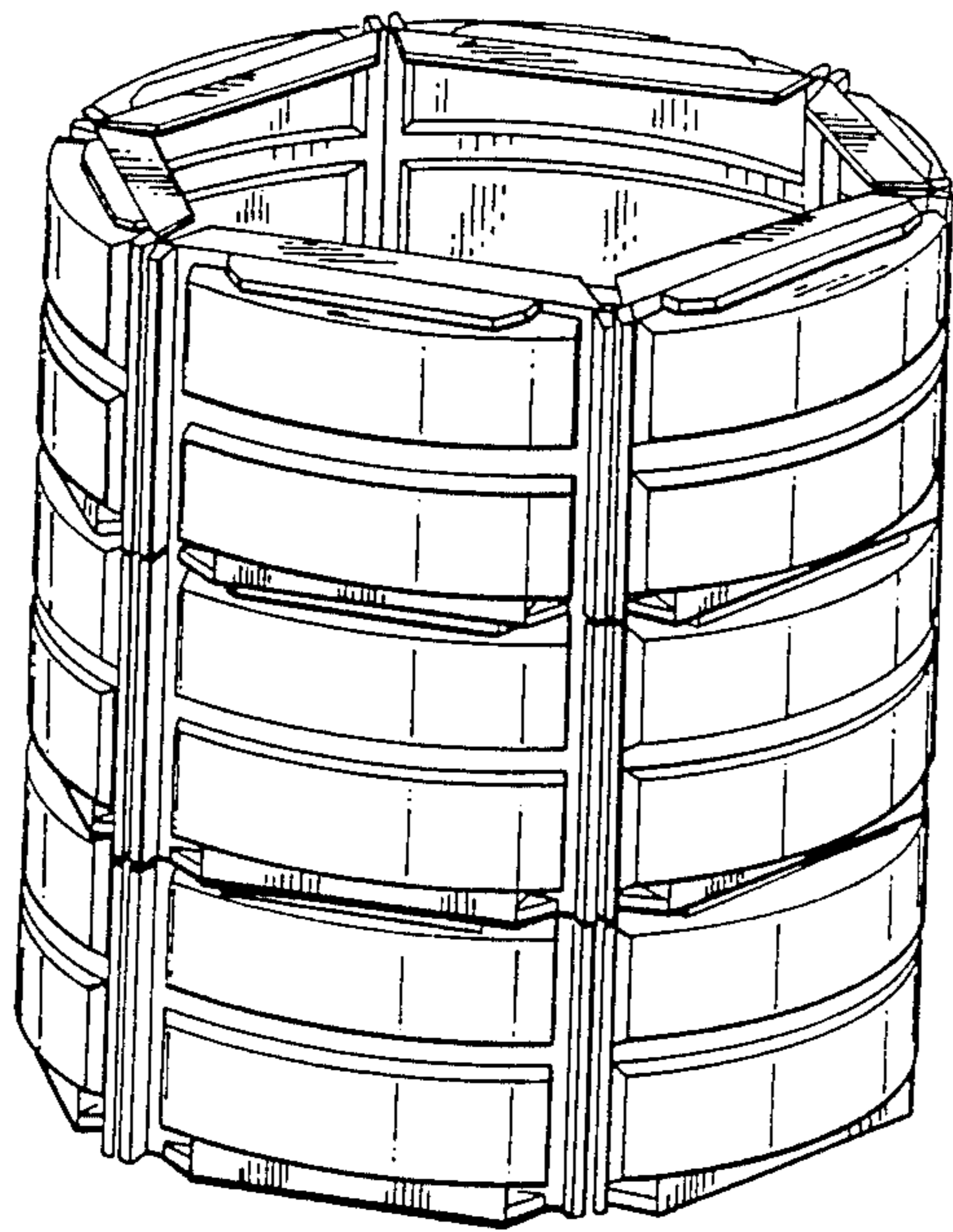


FIG. 5.

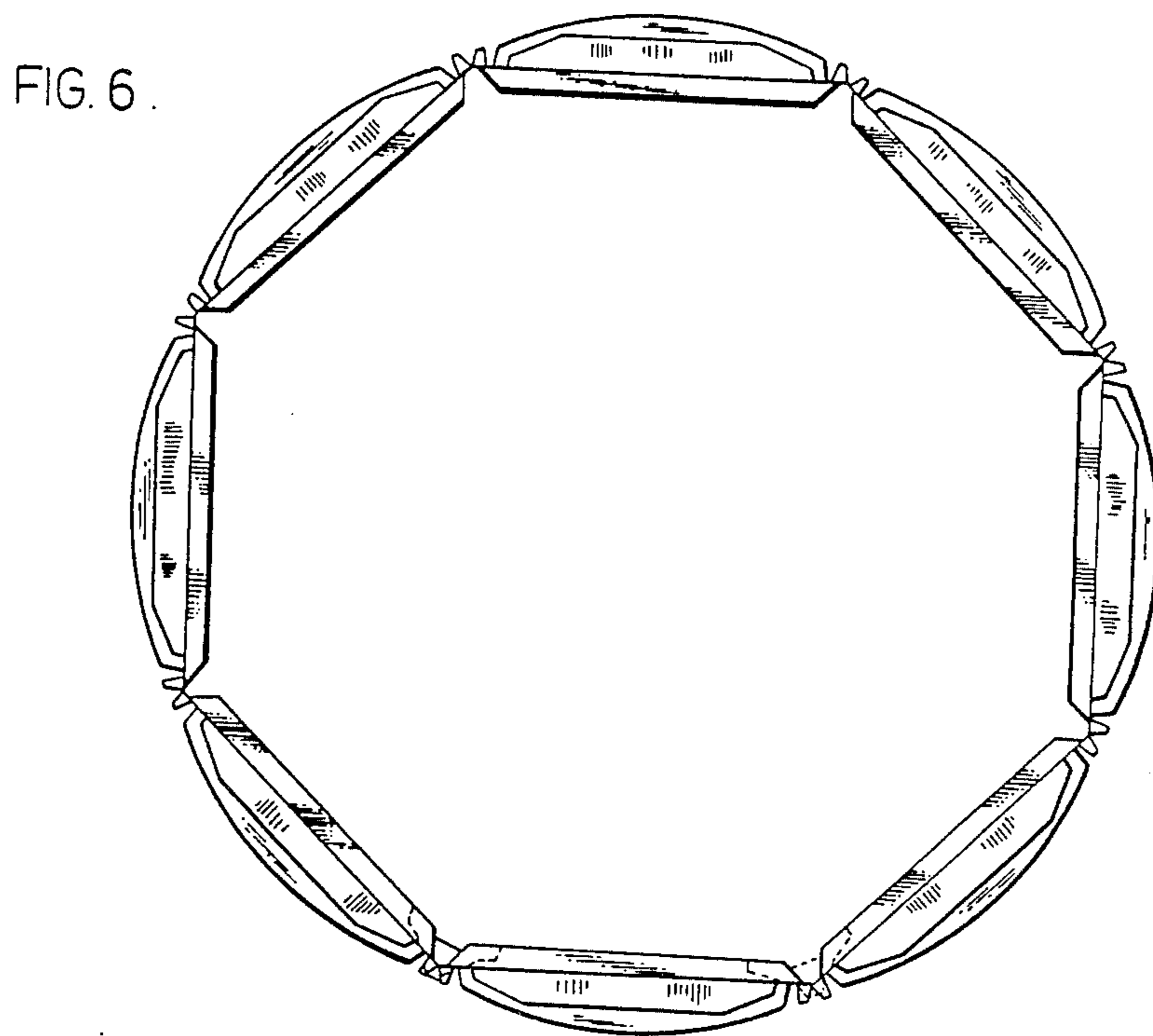


FIG. 6.