

United States Patent [19]

Blieden

[11] Patent Number: Des. 294,985

[45] Date of Patent: ** Mar. 29, 1988

[54] PET CARRIER

[76] Inventor: Joanna Blieden, 45 North Ave., Providence, R.I. 02906

[**] Term: 14 Years

[21] Appl. No.: 825,871

[22] Filed: Feb. 3, 1986

[52] U.S. Cl. D50/109

[58] Field of Search D30/1, 2, 41, 42, 99; 119/1, 15, 19, 158

2,988,044 6/1961 Adelberg et al. 119/19 X
3,509,855 5/1970 Priddy, Jr. 119/19
3,834,352 9/1974 Gervis 119/19 X
3,941,092 3/1976 Winters 119/19
4,010,888 3/1977 Gilbert 119/19 X
4,484,540 11/1984 Yamamoto 119/19

Primary Examiner—James R. Largen
Attorney, Agent, or Firm—Salter & Michaelson

[57] CLAIM

The ornamental design for a pet carrier, substantially as shown.

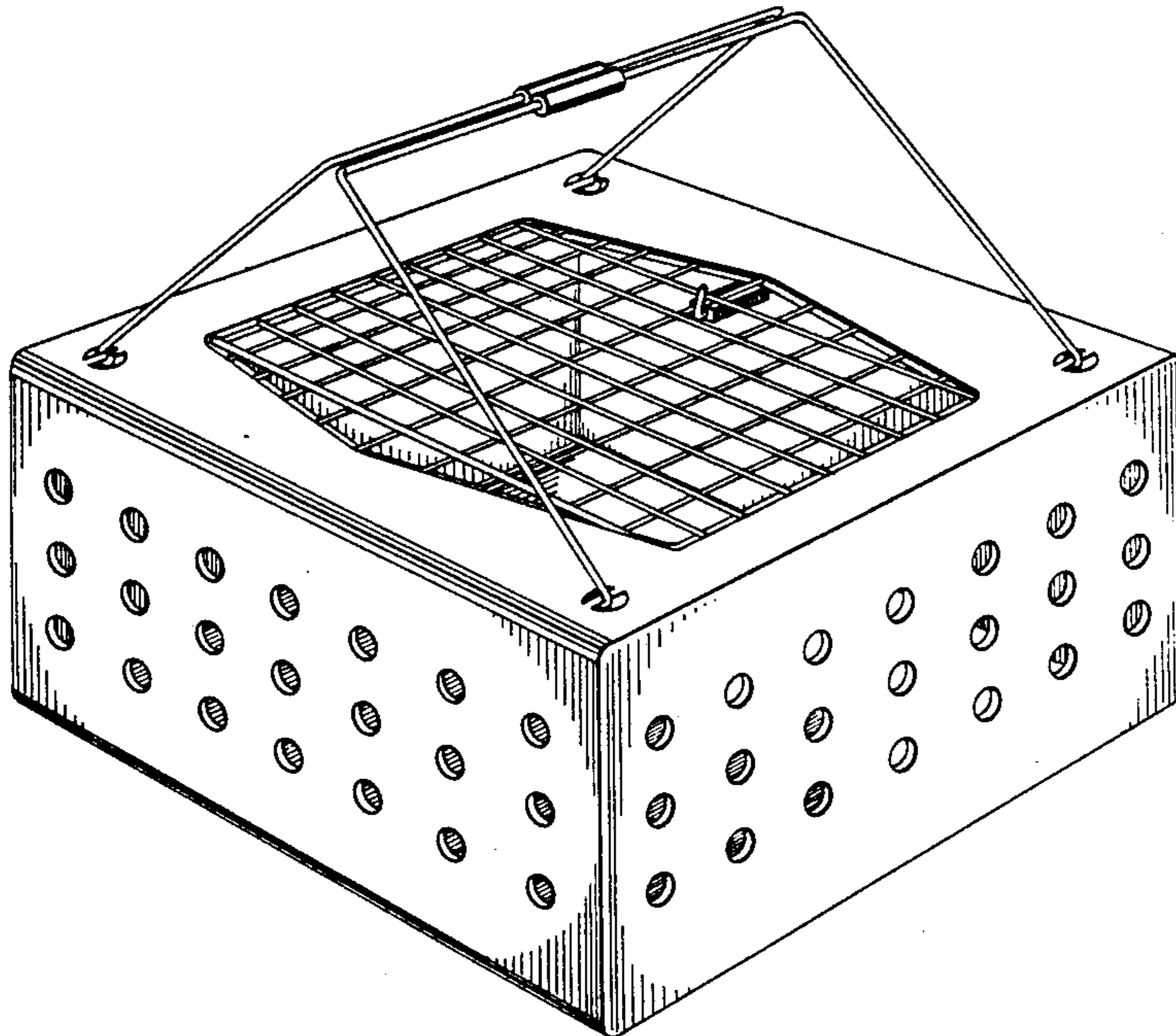
[56] References Cited

U.S. PATENT DOCUMENTS

D. 211,526 6/1968 Ikelheimer D30/1
D. 212,480 10/1968 Mead D30/1
2,170,379 8/1939 Ortt 119/19 X
2,538,778 1/1951 Halpin 119/19
2,790,414 4/1957 Rossow 119/19

DESCRIPTION

FIG. 1 is a top perspective view of a pet carrier showing my new design;
FIG. 2 is a top plan view thereof;
FIG. 3 is a side view thereof;
FIG. 4 is an end view thereof; and
FIG. 5 is a bottom plan view thereof.



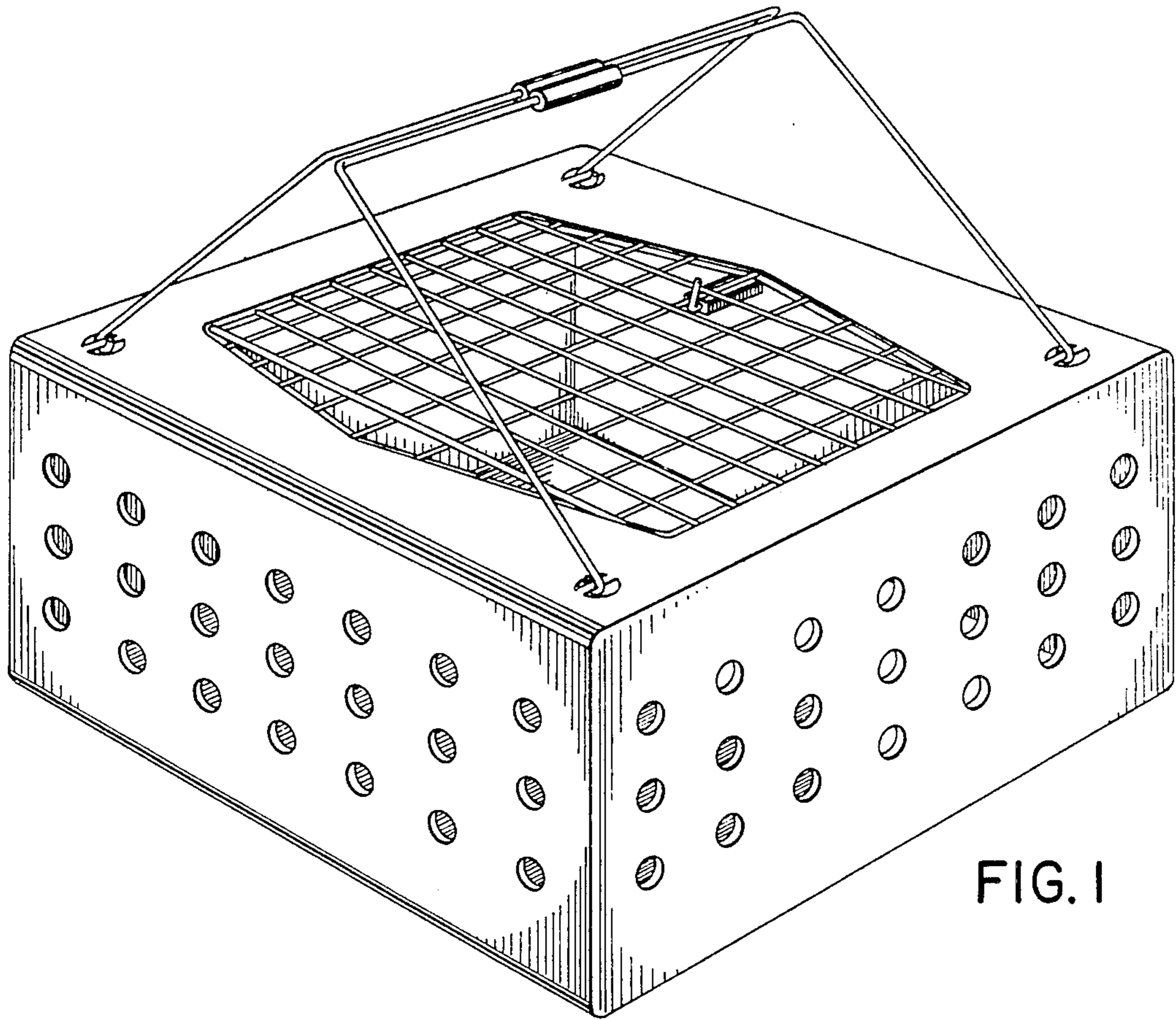
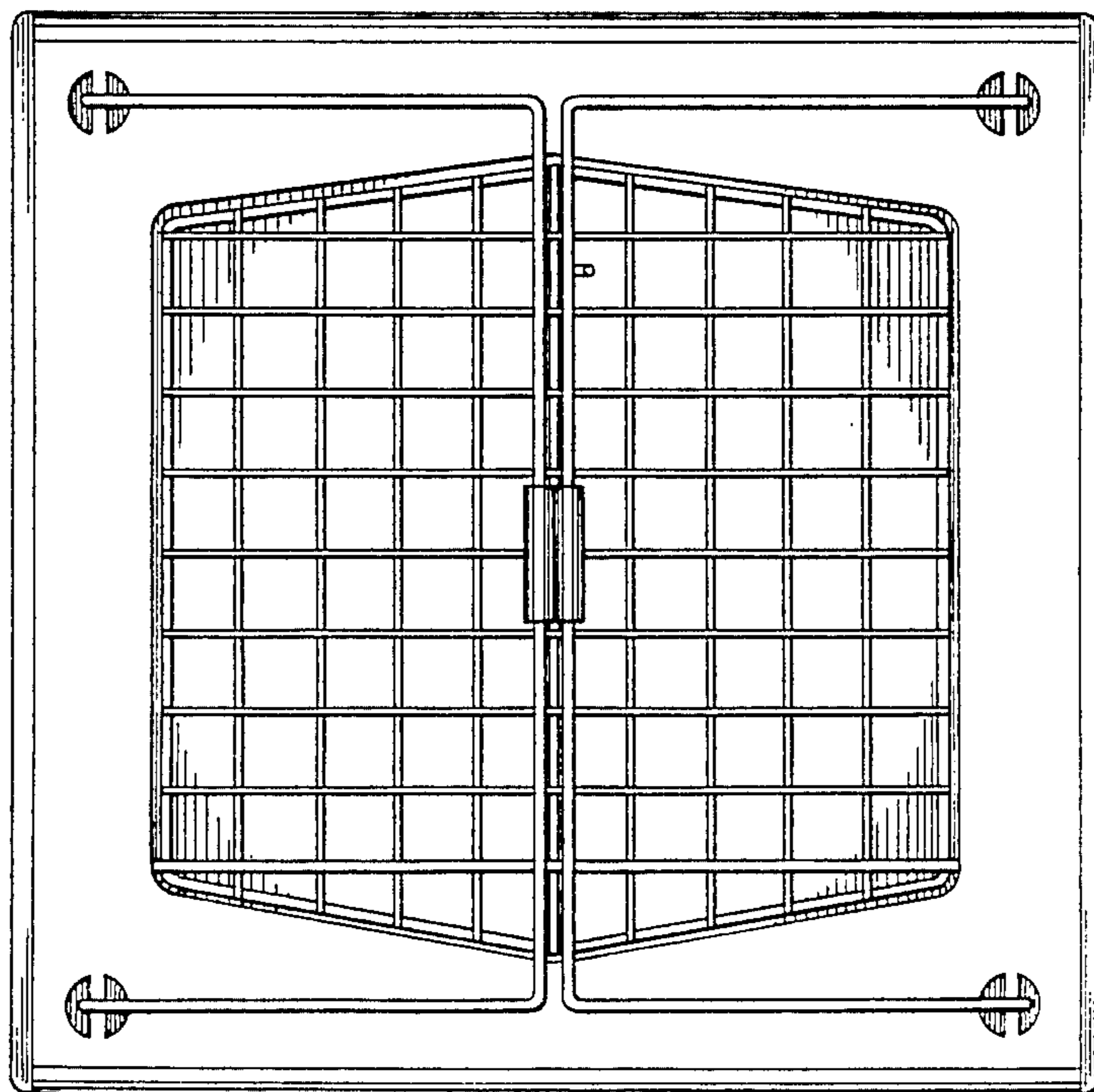


FIG. 1

FIG. 2



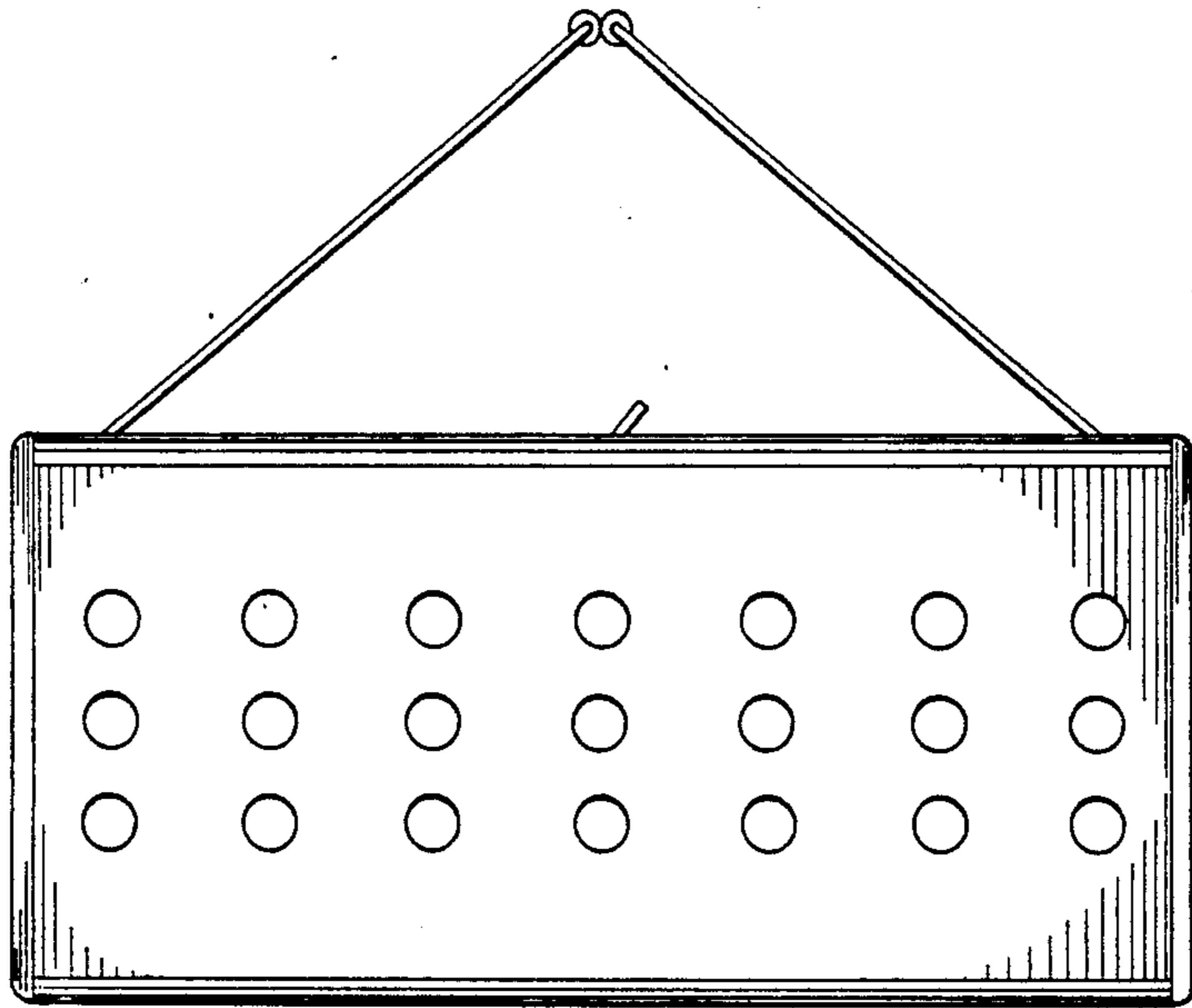


FIG. 3

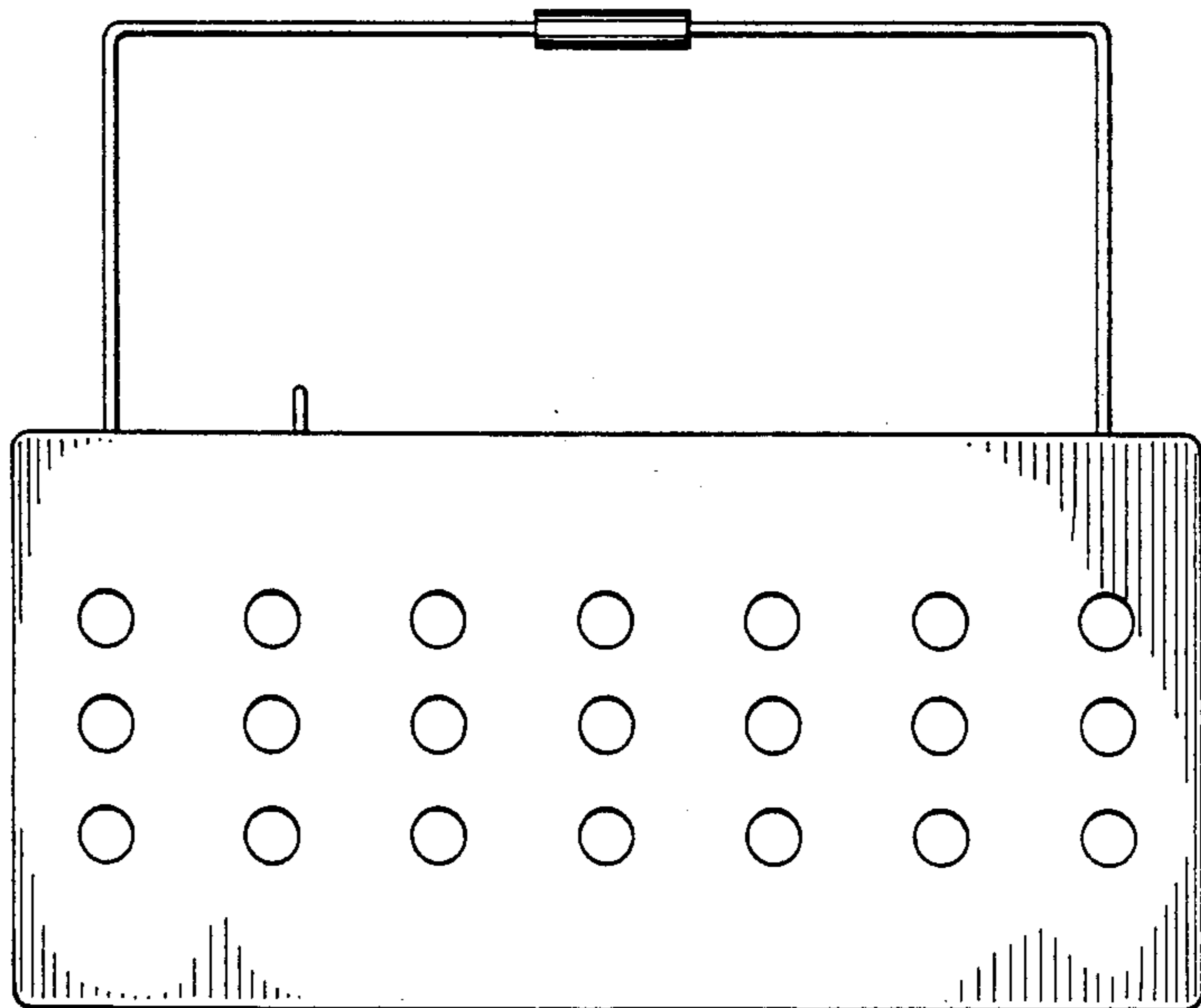


FIG. 4

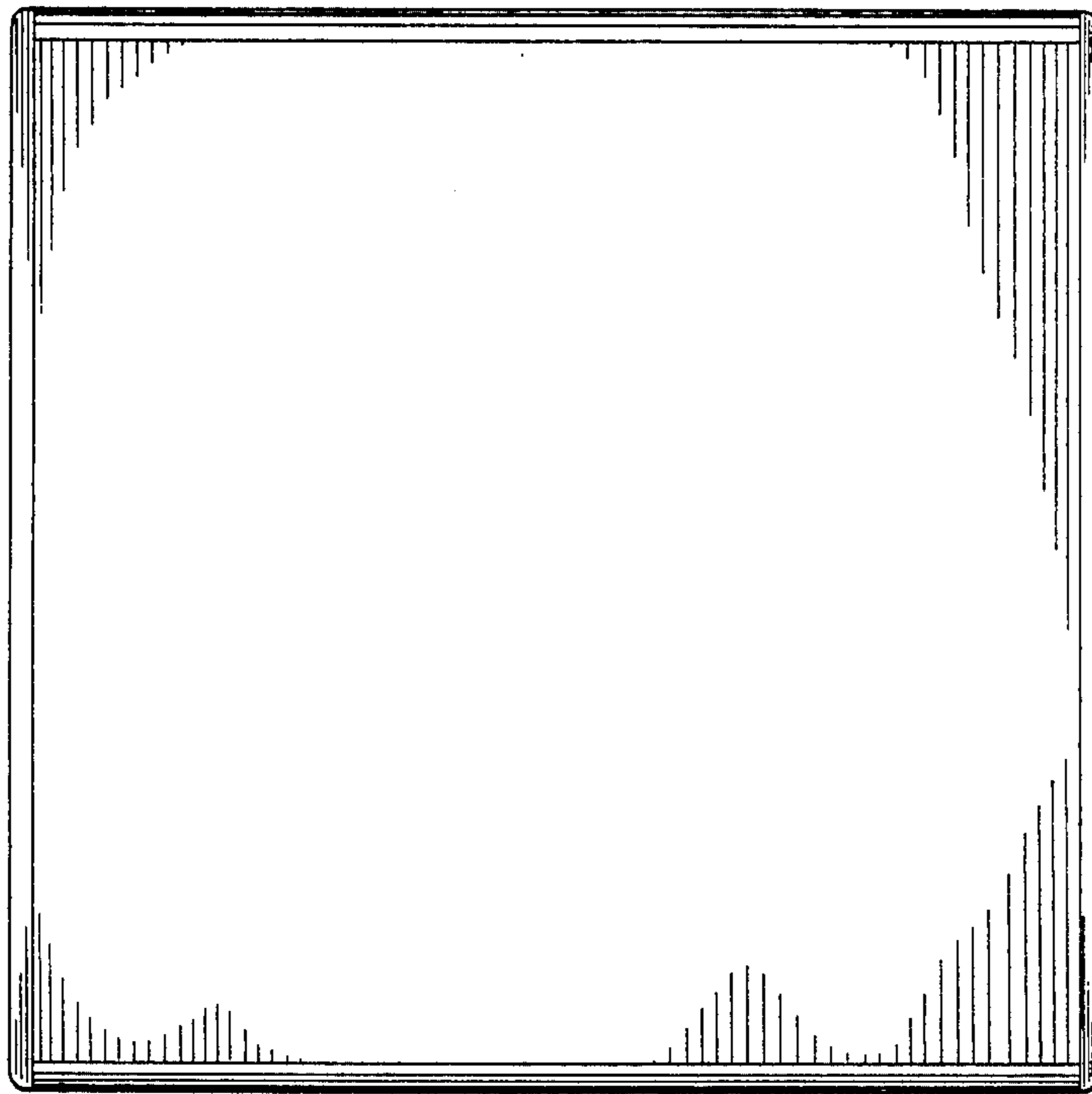


FIG. 5