

[54] SHAVING CUTTER

4,258,470 3/1981 Boiten et al. 30/43.6
4,262,416 4/1981 Van Hemmen et al. 30/43.6

[75] Inventor: Shunji Izumi, Matsumoto, Japan

[73] Assignee: Izumi Seimitsu Kogyo Kabushiki
Kaisha, Matsumoto, Japan

Primary Examiner—Louis S. Zarfes
Attorney, Agent, or Firm—Birch, Stewart, Kolasch &
Birch

[**] Term: 14 Years

[57] CLAIM

[21] Appl. No.: 768,568

The ornamental design for a shaving cutter, as shown
and described.

[22] Filed: Aug. 23, 1985

[30] Foreign Application Priority Data

Feb. 23, 1985 [JP] Japan 60-6799

[52] U.S. Cl. D28/50

[58] Field of Search D28/44-54;
30/32, 34 R, 34.1, 41.9, 43-43.92, 346.51

DESCRIPTION

FIG. 1 is a perspective view of a shaving cutter, showing
my new design;

FIG. 2 is a front elevational view, the rear being the
same;

FIG. 3 is a right side elevational view, the left side being
the same;

FIG. 4 is a top plan view;

FIG. 5 is a bottom plan view; and,

FIG. 6 is a sectional view taken on line VI—VI in FIG.
4.

[56] References Cited

U.S. PATENT DOCUMENTS

D. 257,744 12/1980 Van Hemmen et al. D28/45
4,227,301 10/1980 Van Hemmen et al. 30/43.6

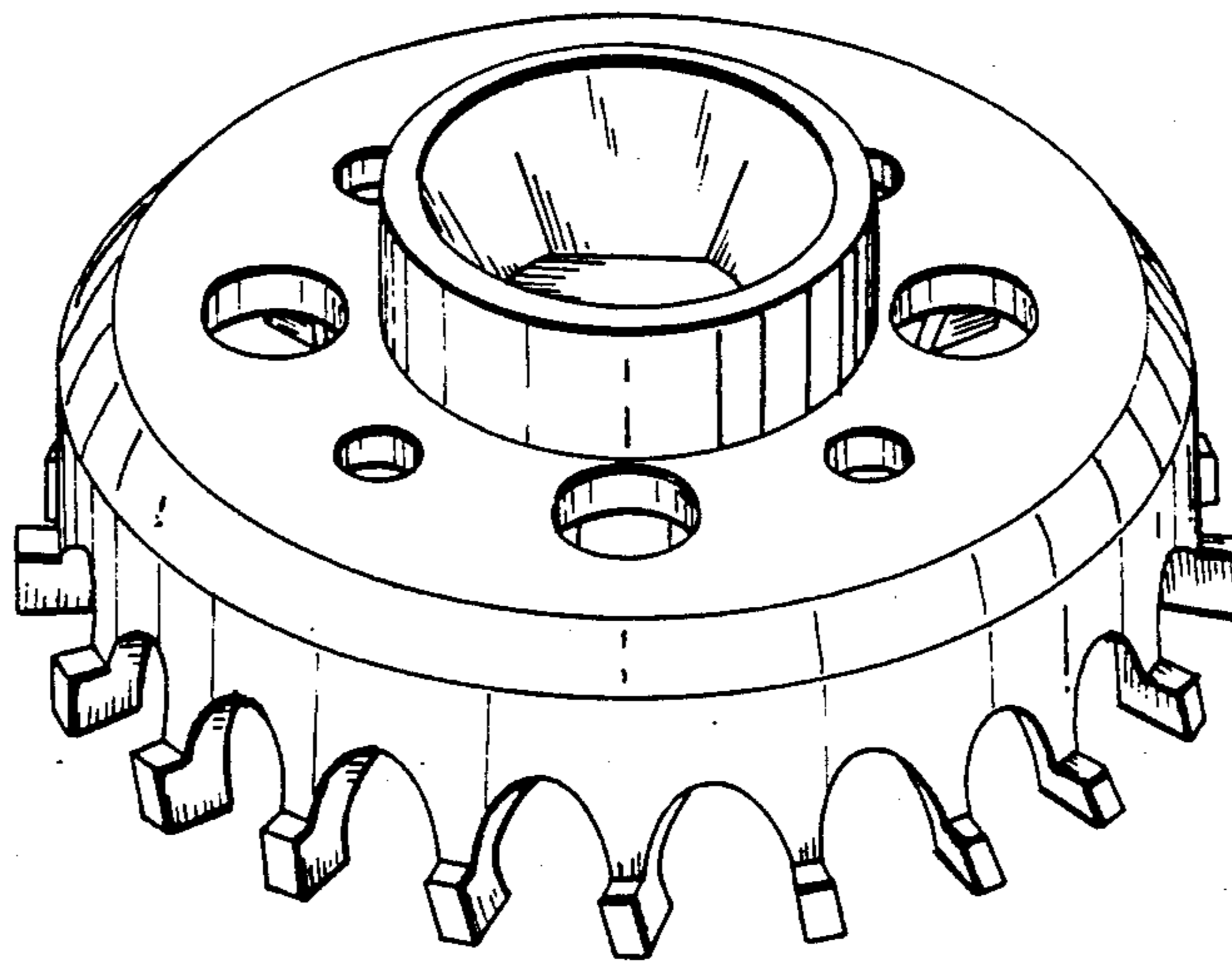


FIG. 1

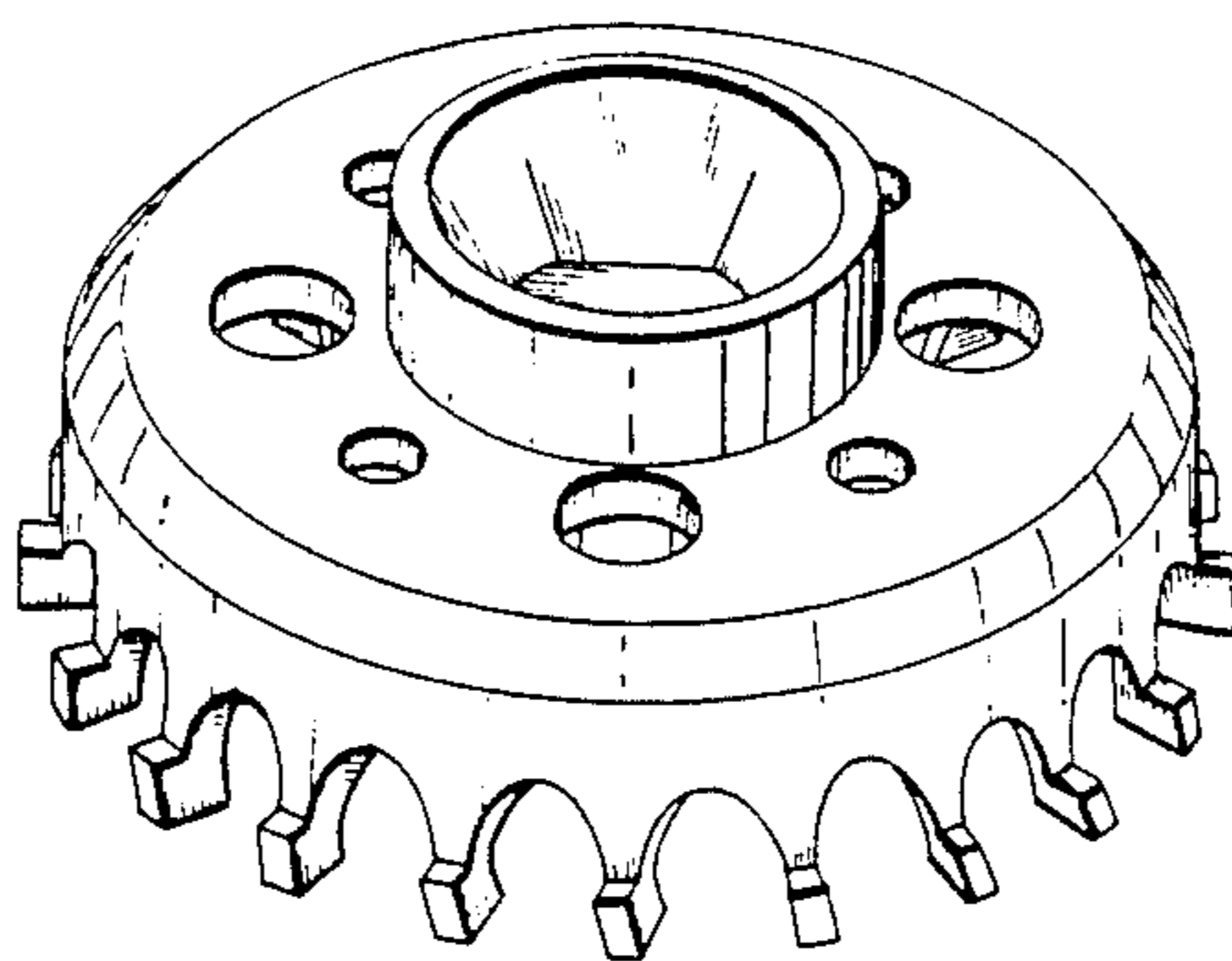


FIG. 2

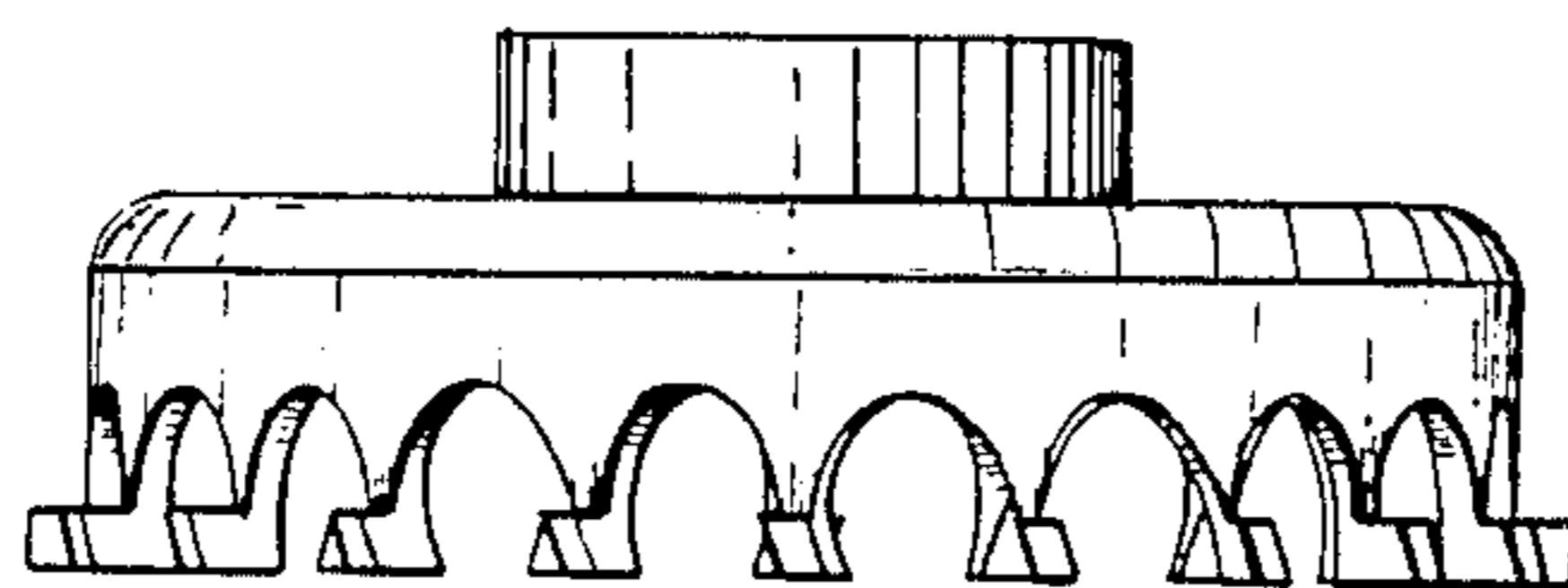


FIG. 3

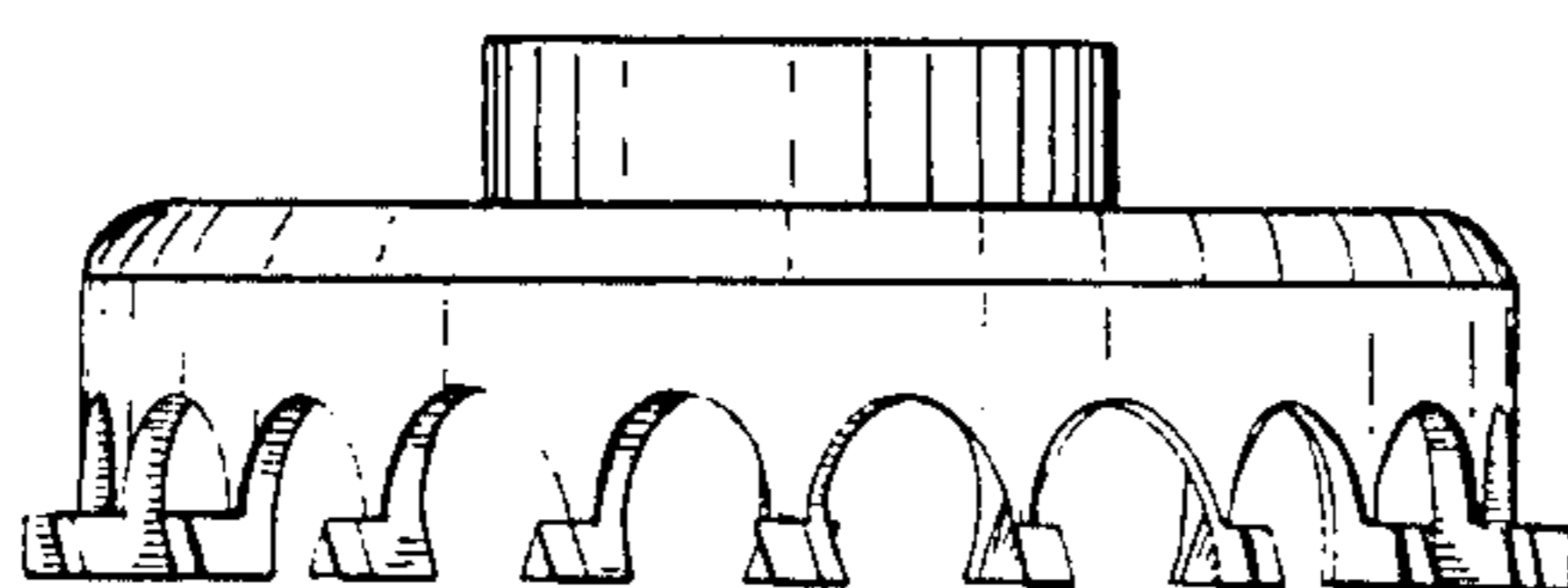


FIG. 4

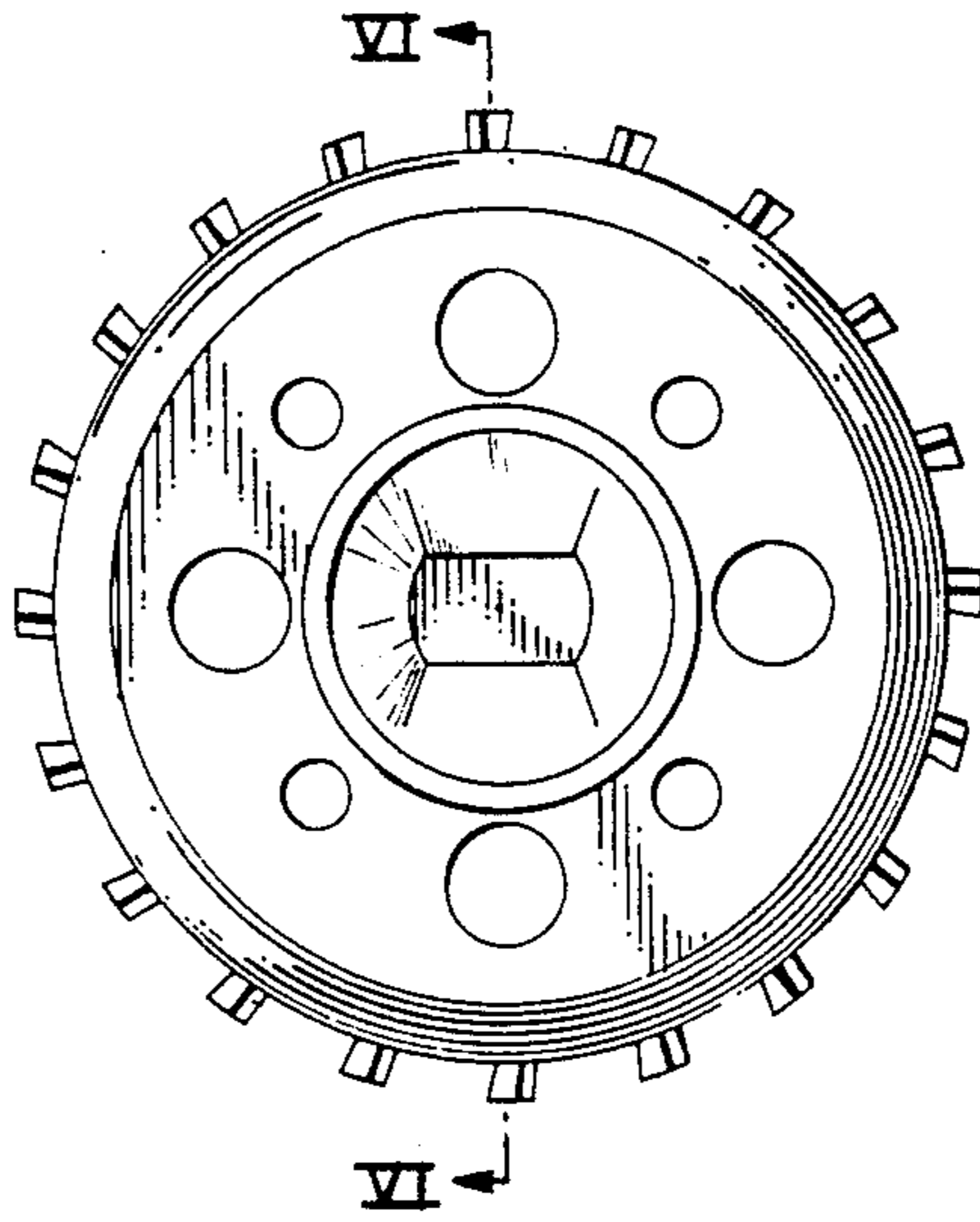


FIG. 5

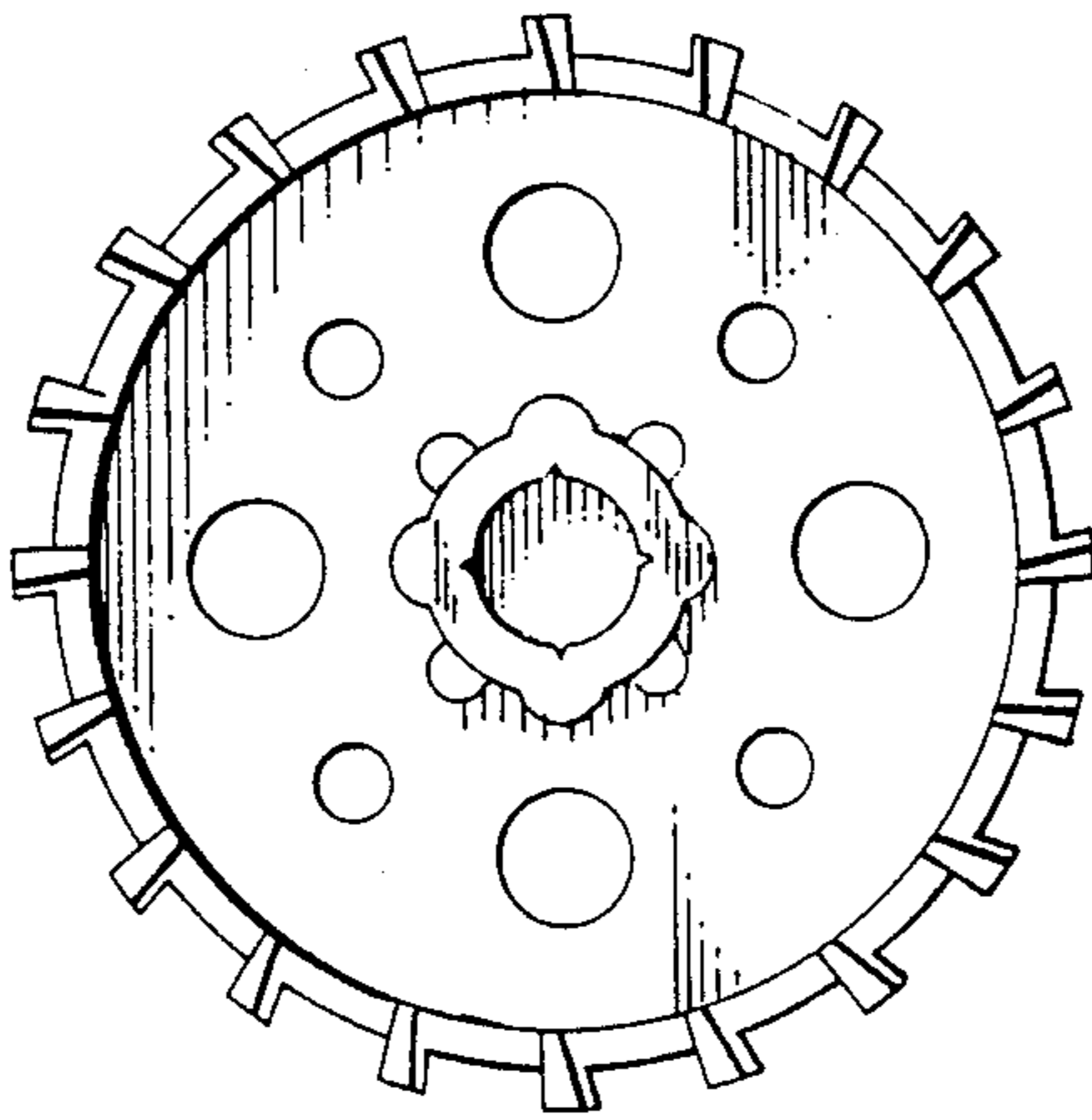


FIG. 6

