

[54] **COMBINED LAMP AND NIGHT LIGHT**

[76] **Inventor: Tobin Wolf, 1610 Harmon Cove Twrs., Secaucus, N.J. 07094**

[\*\*] **Term: 14 Years**

[21] **Appl. No.: 784,744**

[22] **Filed: Oct. 7, 1985**

[52] **U.S. Cl. .... D26/93**

[58] **Field of Search ..... D26/93, 102-112, D26/51; 362/410-414, 806**

[56] **References Cited**

**U.S. PATENT DOCUMENTS**

D. 26,347 9/1928 Kanné ..... D26/110  
2,449,765 9/1948 Brattain ..... 362/410 X  
2,734,998 2/1956 Norwood ..... D26/102 X

2,945,948 7/1960 Maffei ..... D26/112 X  
4,626,972 12/1986 Wolf ..... 362/411

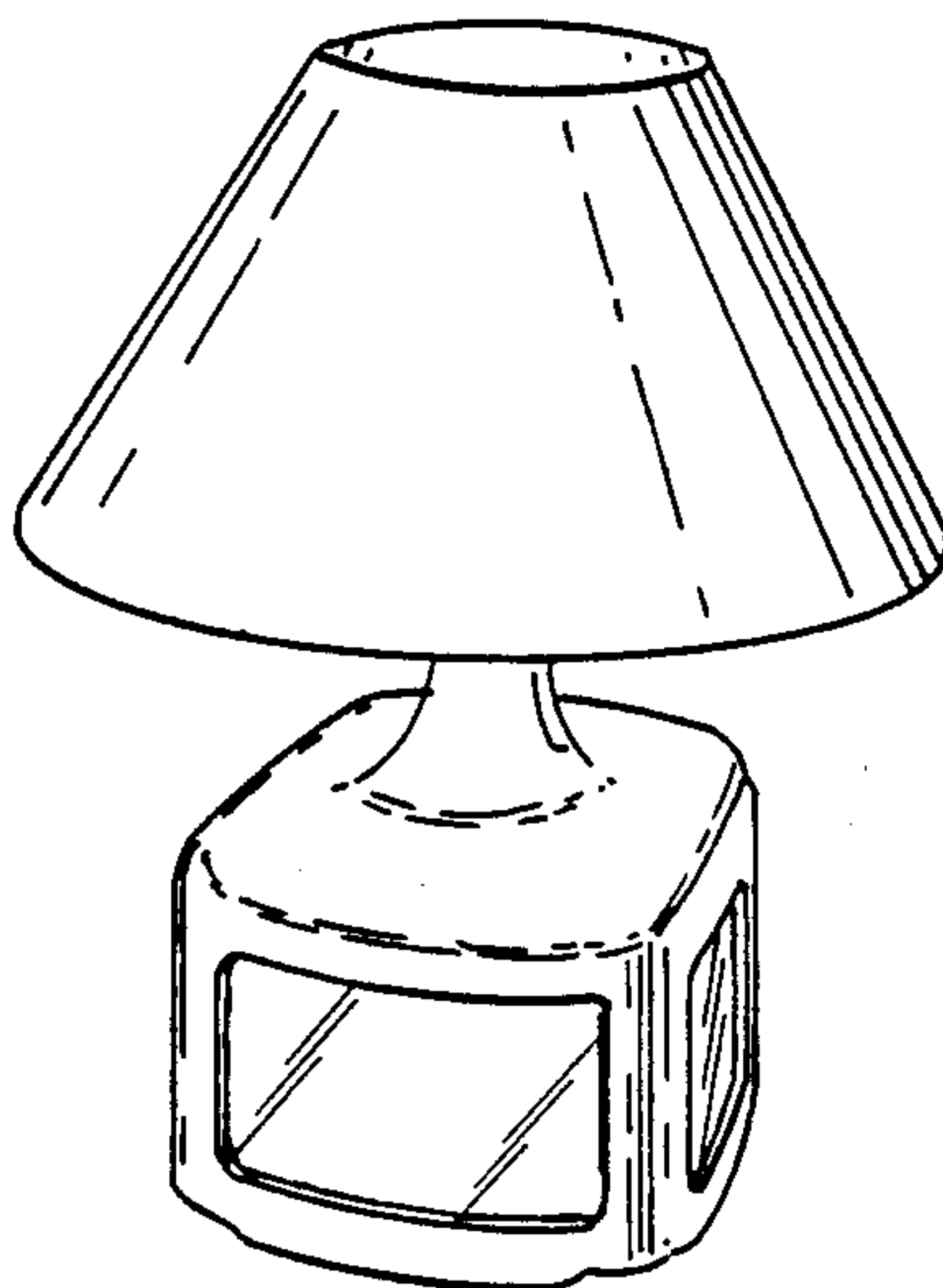
*Primary Examiner*—Susan J. Lucas  
*Attorney, Agent, or Firm*—Jay M. Cantor

[57] **CLAIM**

The ornamental design for combined lamp and night light, as shown and described.

**DESCRIPTION**

FIG. 1 is a perspective view of a combined lamp and night light showing my new design;  
FIG. 2 is a side elevational view thereof on an enlarged scale, all sides being identical;  
FIG. 3 is a top plan view thereof on an enlarged scale;  
FIG. 4 is a bottom plan view thereof on an enlarged scale.



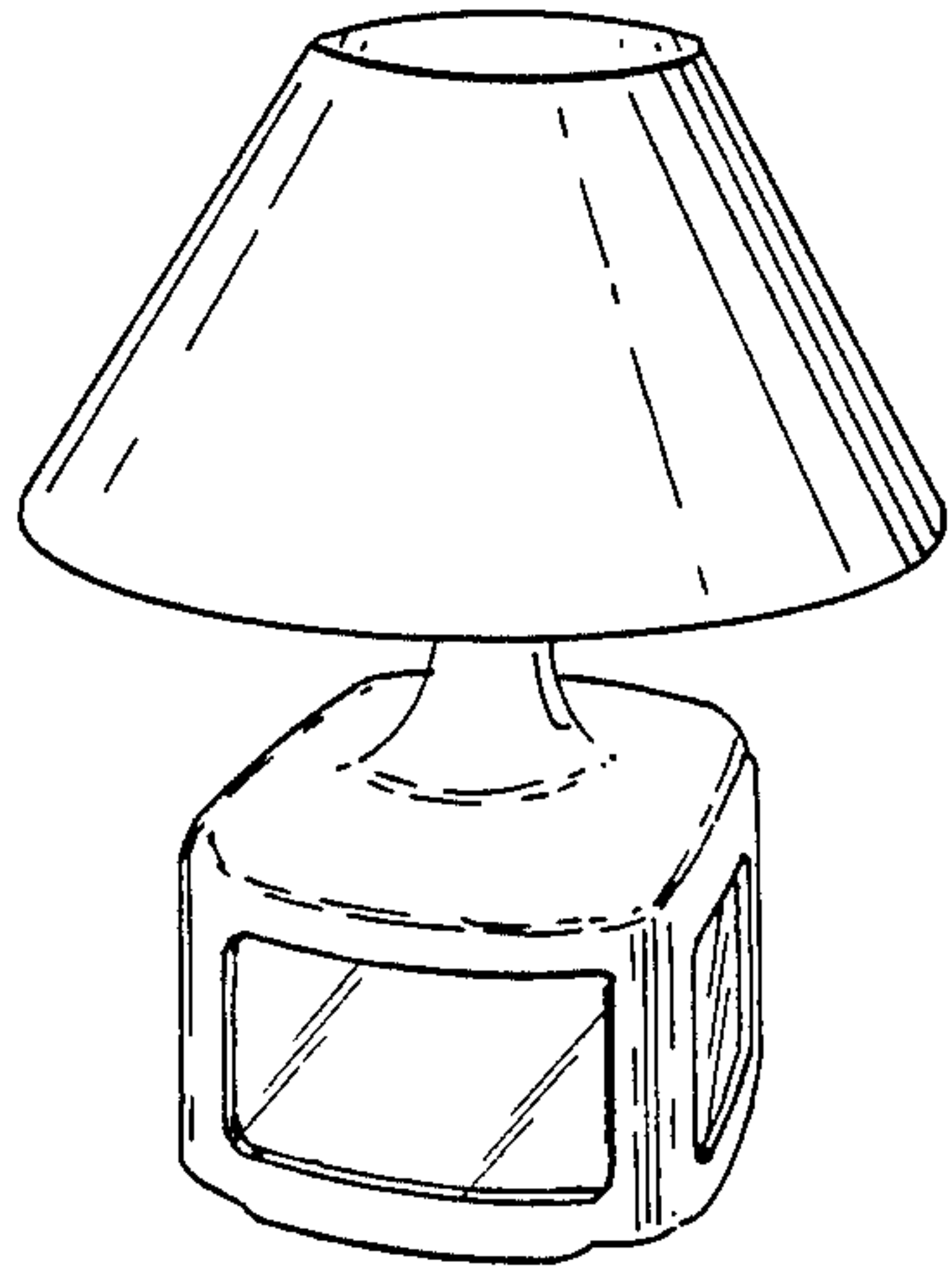


FIG. 1

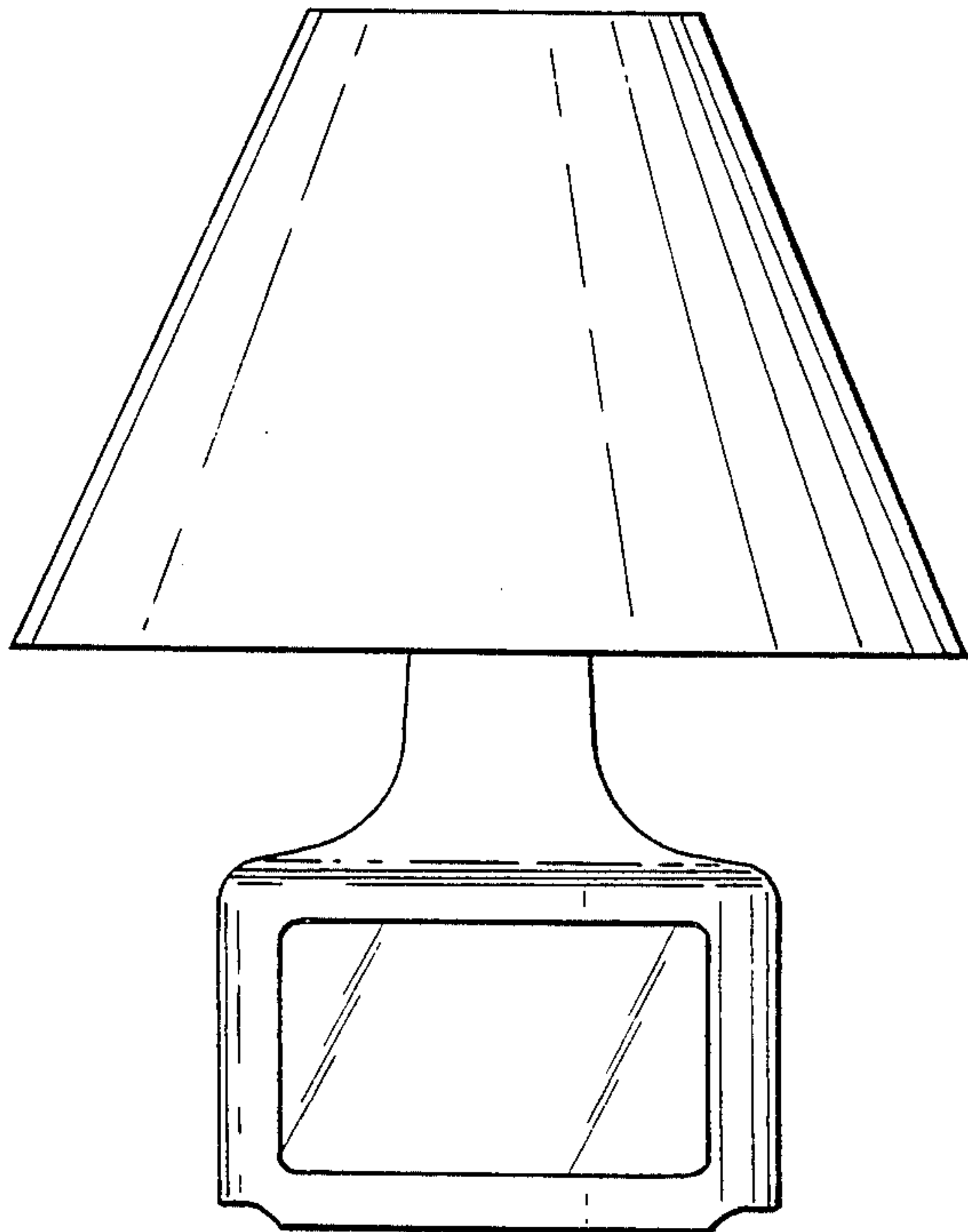


FIG. 2

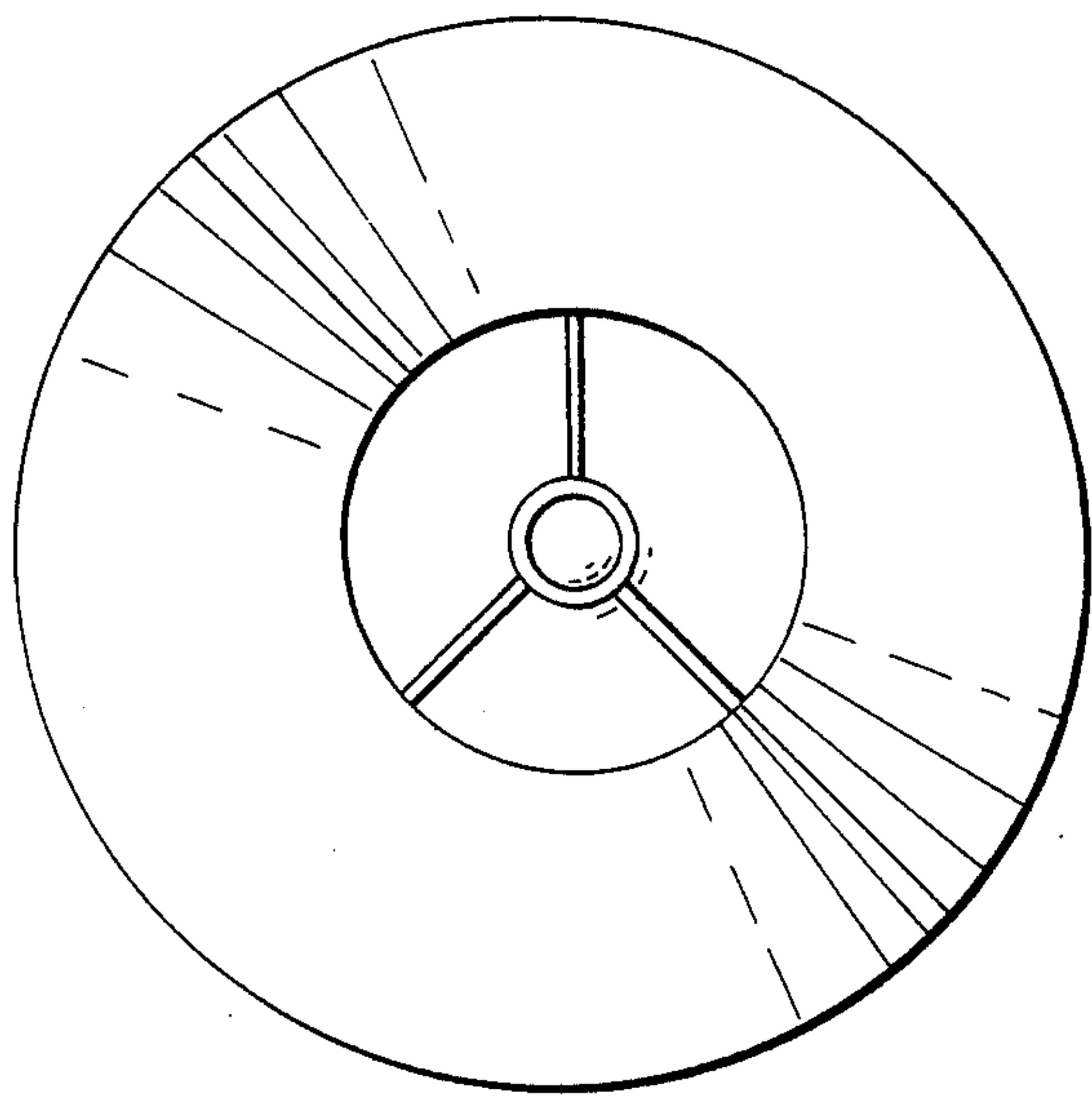


FIG. 3

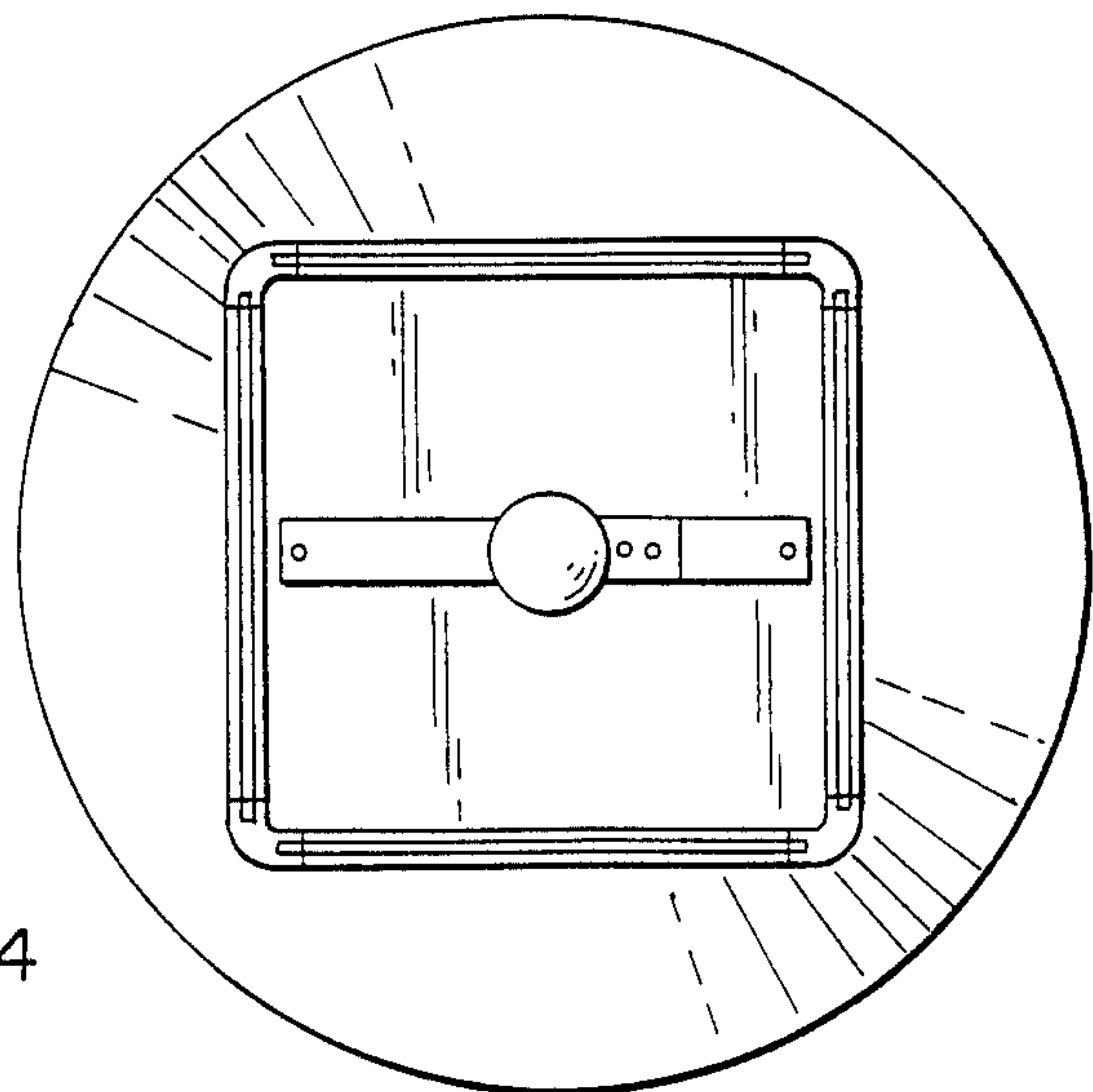


FIG. 4