

[54] WALL LAMP

[76] Inventor: Warren Platner, Foote's Bridge Rd., Guilford, Conn. 06437

[*] Notice: The portion of the term of this patent subsequent to Mar. 15, 2002 has been disclaimed.

[**] Term: 14 Years

[21] Appl. No.: 761,789

[22] Filed: Aug. 2, 1985

[52] U.S. Cl. D26/86

[58] Field of Search D26/72-92; 362/404, 405, 406, 408, 432, 362, 307, 311, 336

[56] References Cited

U.S. PATENT DOCUMENTS

- D. 158,917 6/1950 Wince D26/85
- D. 216,830 3/1970 McNamara, Jr. D26/85
- 1,900,436 3/1933 Dourgnon 362/336 X

Primary Examiner—Susan J. Lucas
Attorney, Agent, or Firm—Michael Ebert

[57] CLAIM

The ornamental design for a wall lamp, as shown and described.

DESCRIPTION

FIG. 1 is a perspective view of a wall lamp showing my new design;
 FIG. 2 is a top plan view thereof;
 FIG. 3 is a bottom plan view thereof;
 FIG. 4 is a side elevational view thereof, the opposite side being a mirror image;
 FIG. 5 is a front elevational view thereof;
 FIG. 6 is a rear elevational view thereof;
 FIGS. 7 and 8 are respectively bottom plan views of second and third embodiments of my new design, the front, rear and sides of each being identical to those of the first embodiment except for the differences in dimensions of the housing;
 FIG. 9 is a top plan view of the second embodiment;
 FIG. 10 is a top plan view of the third embodiment.

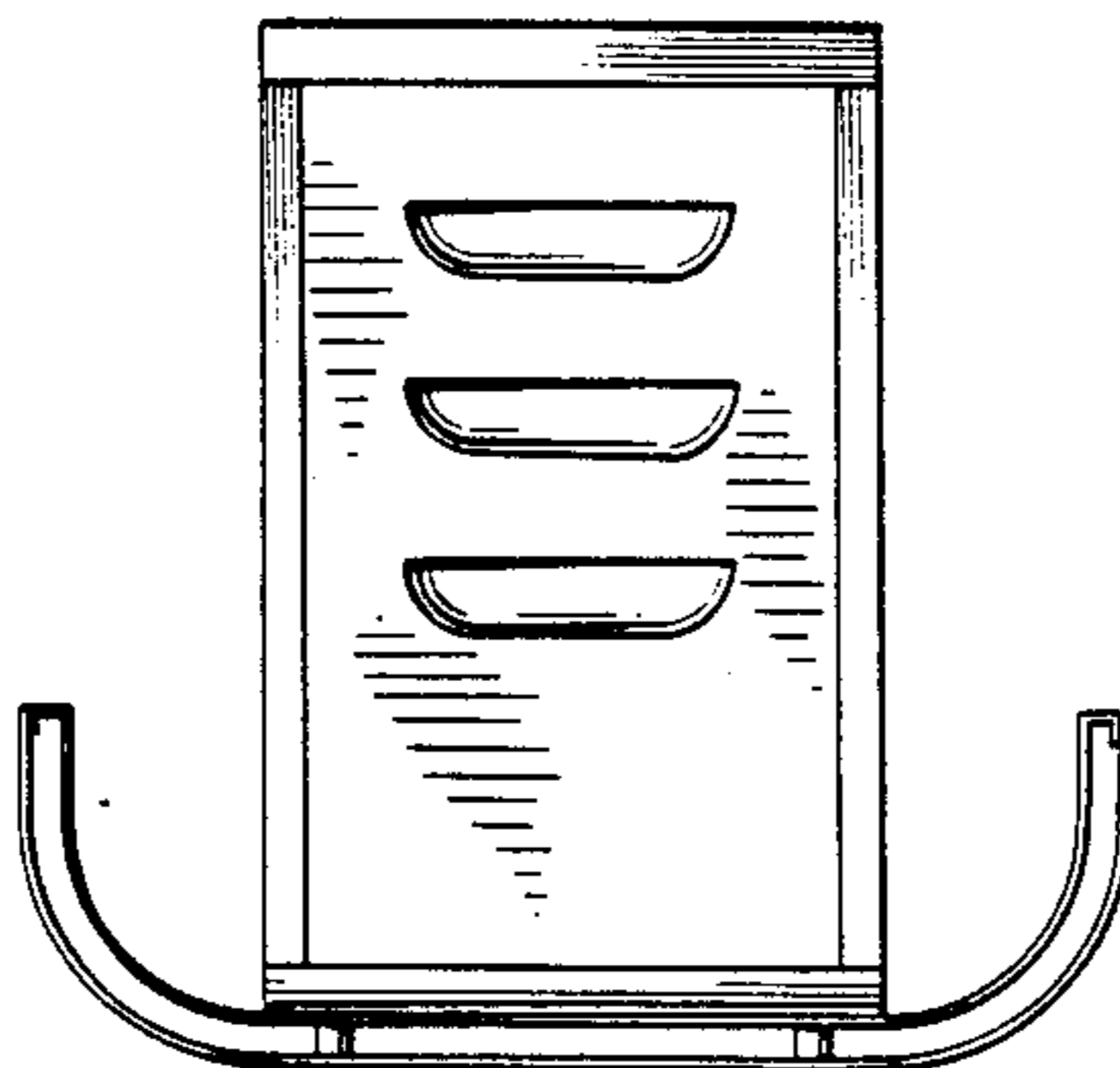
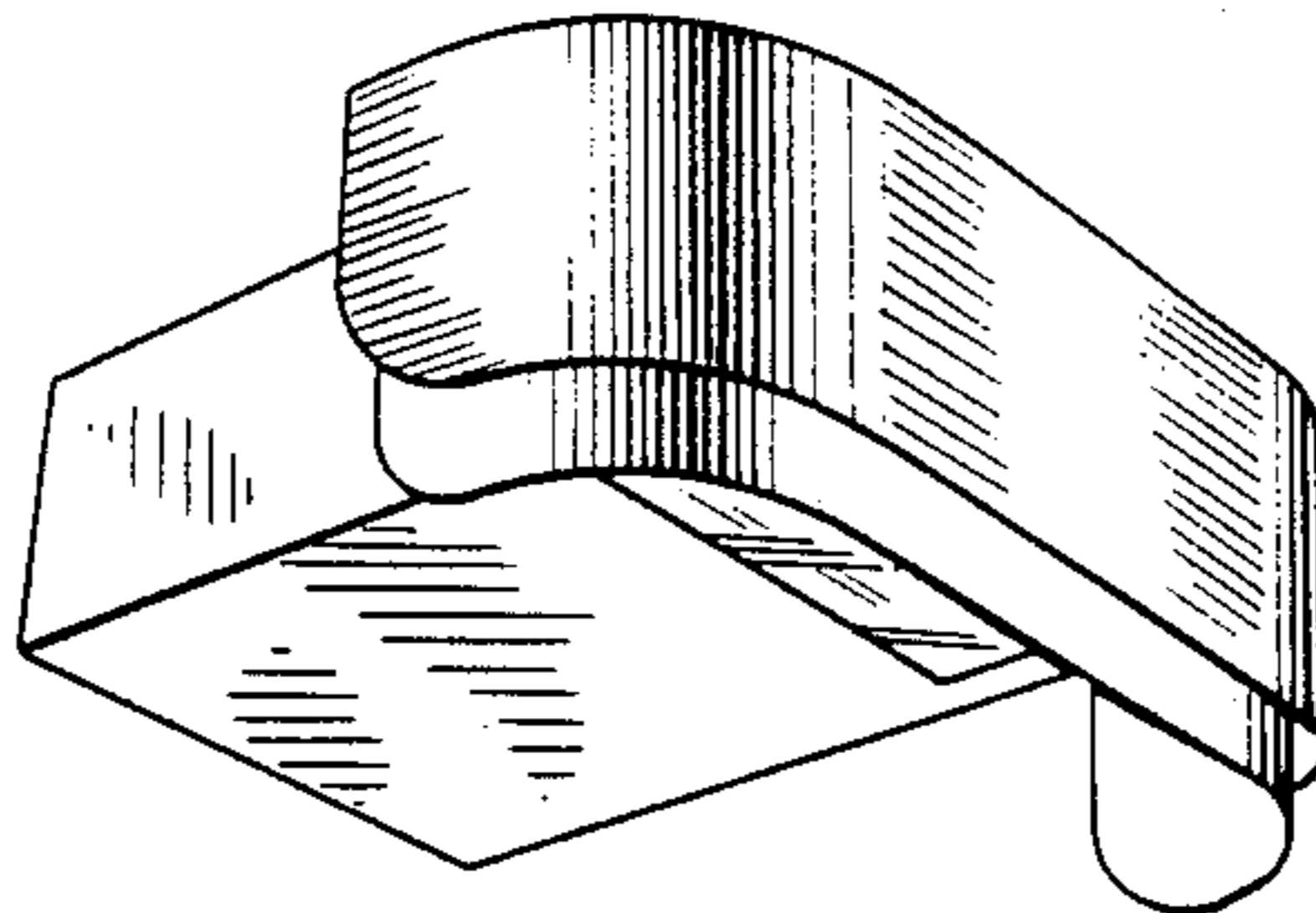


Fig. 1.

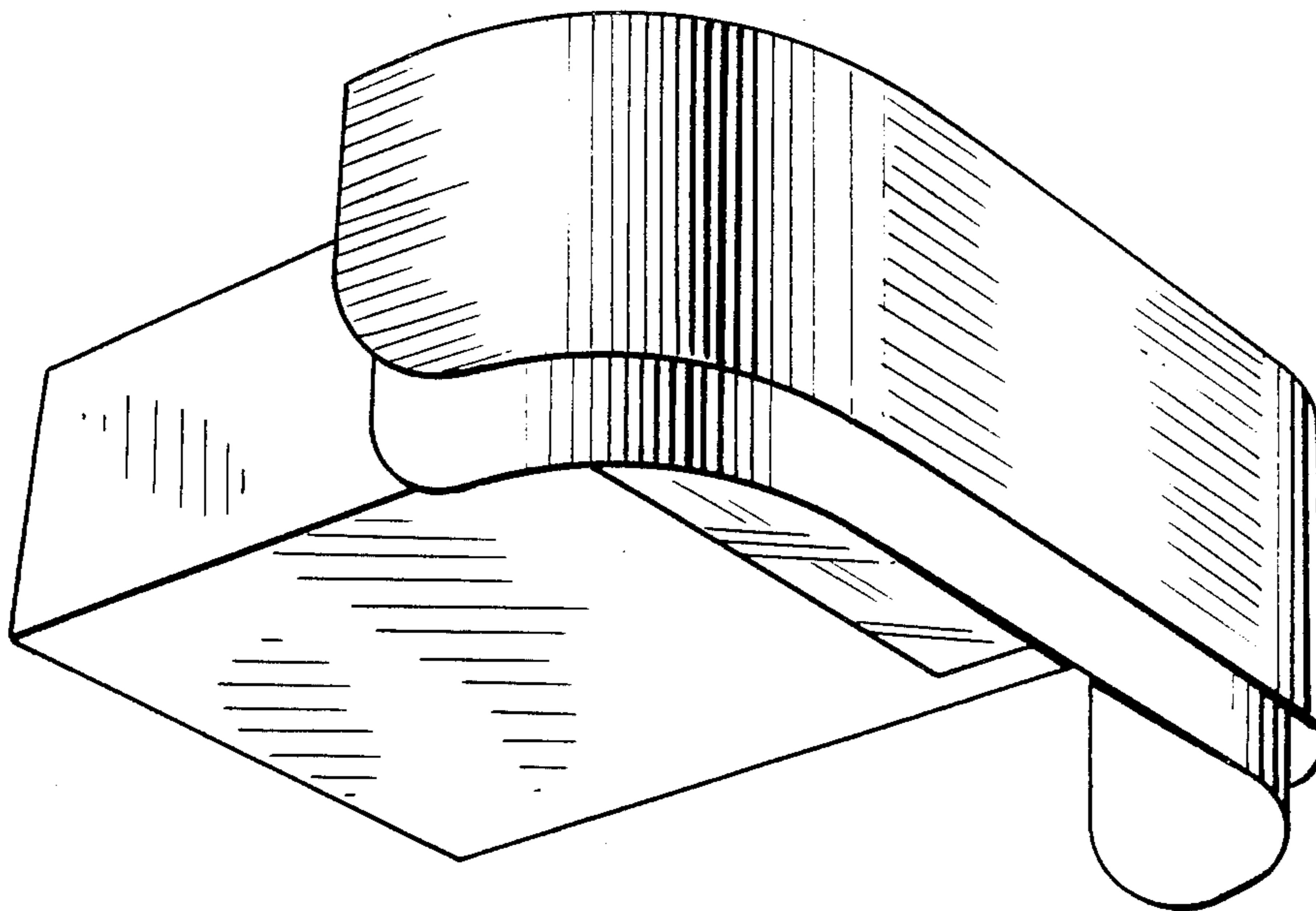


Fig. 2.

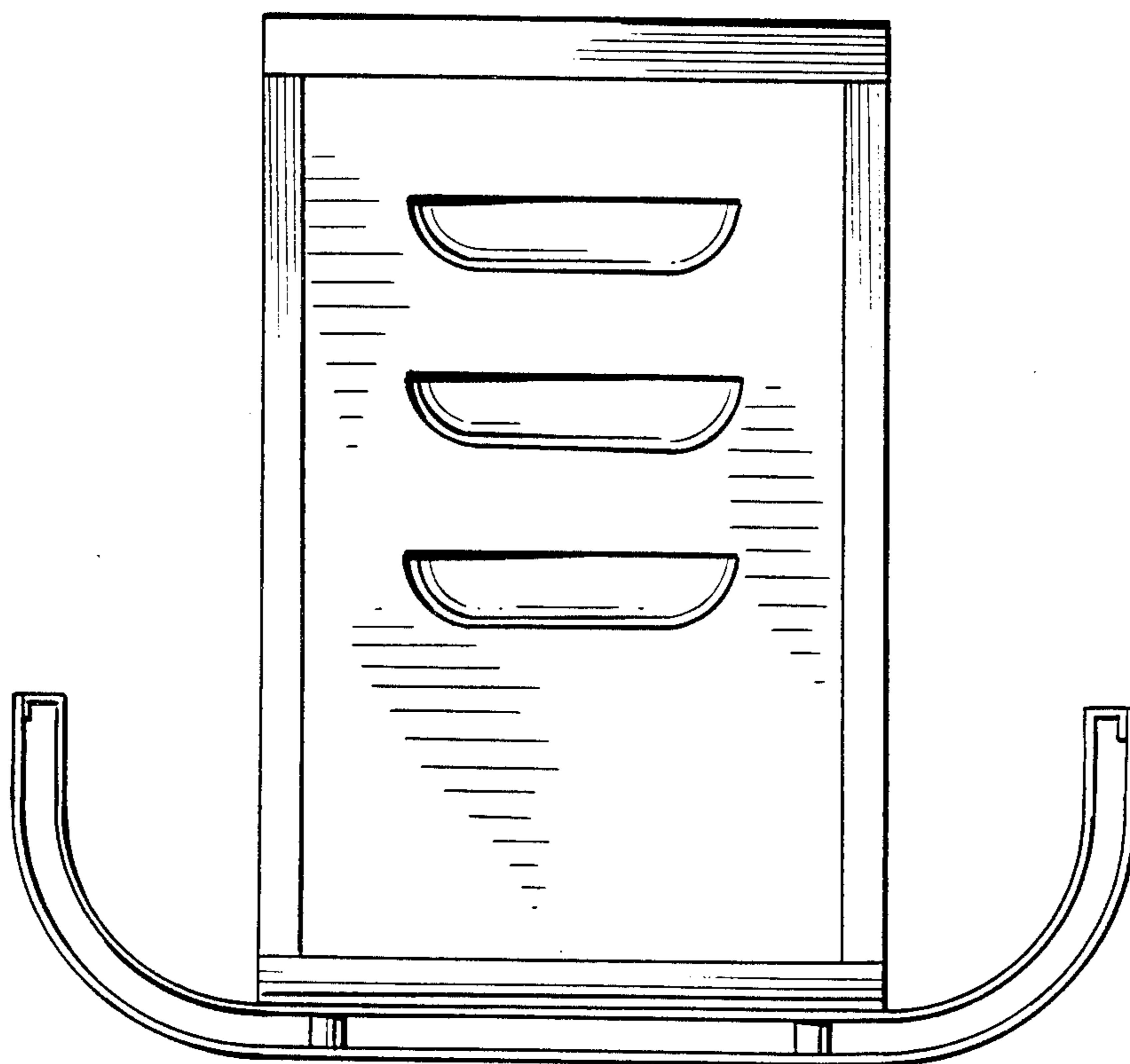


Fig. 3.

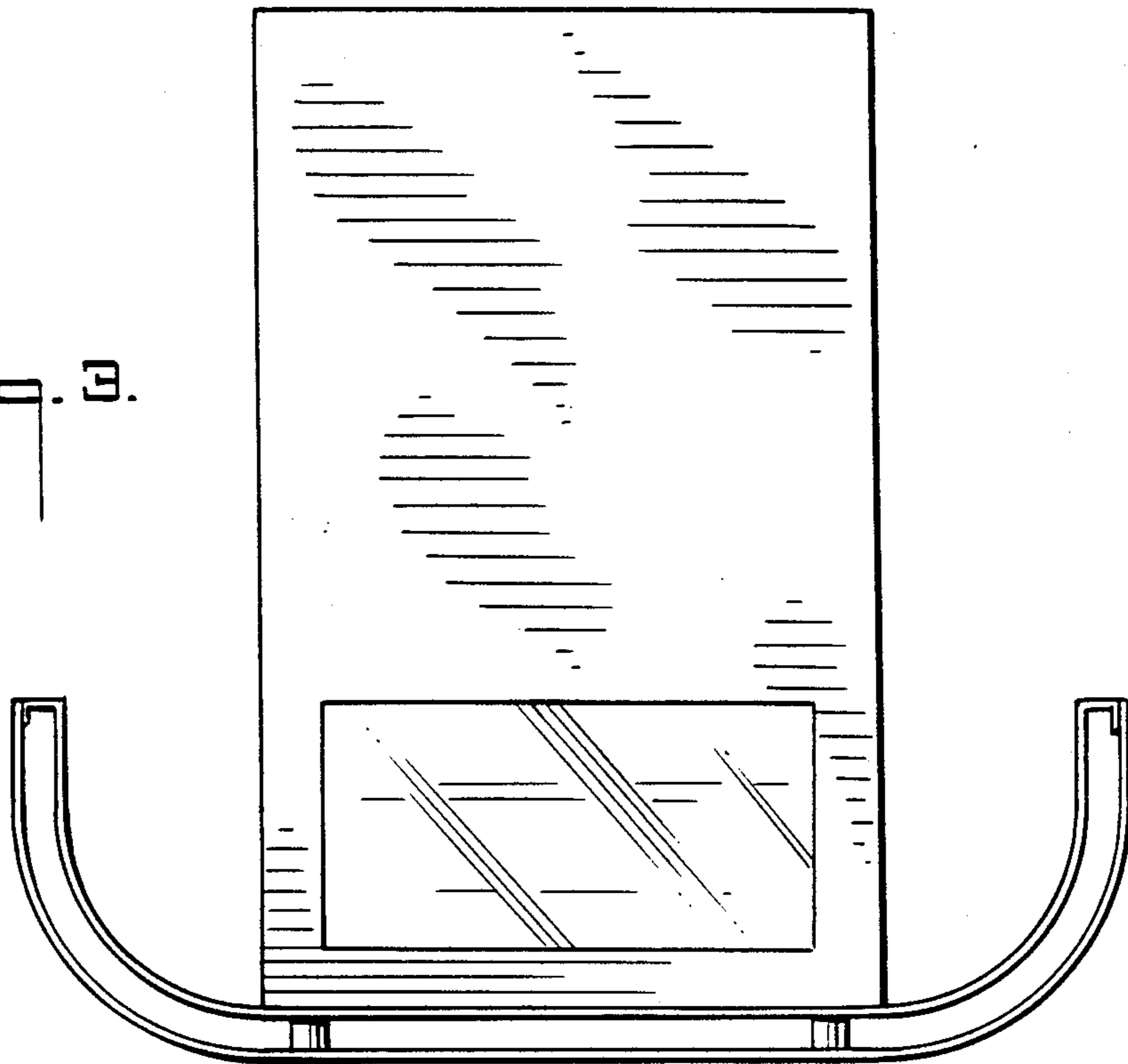


Fig. 4.

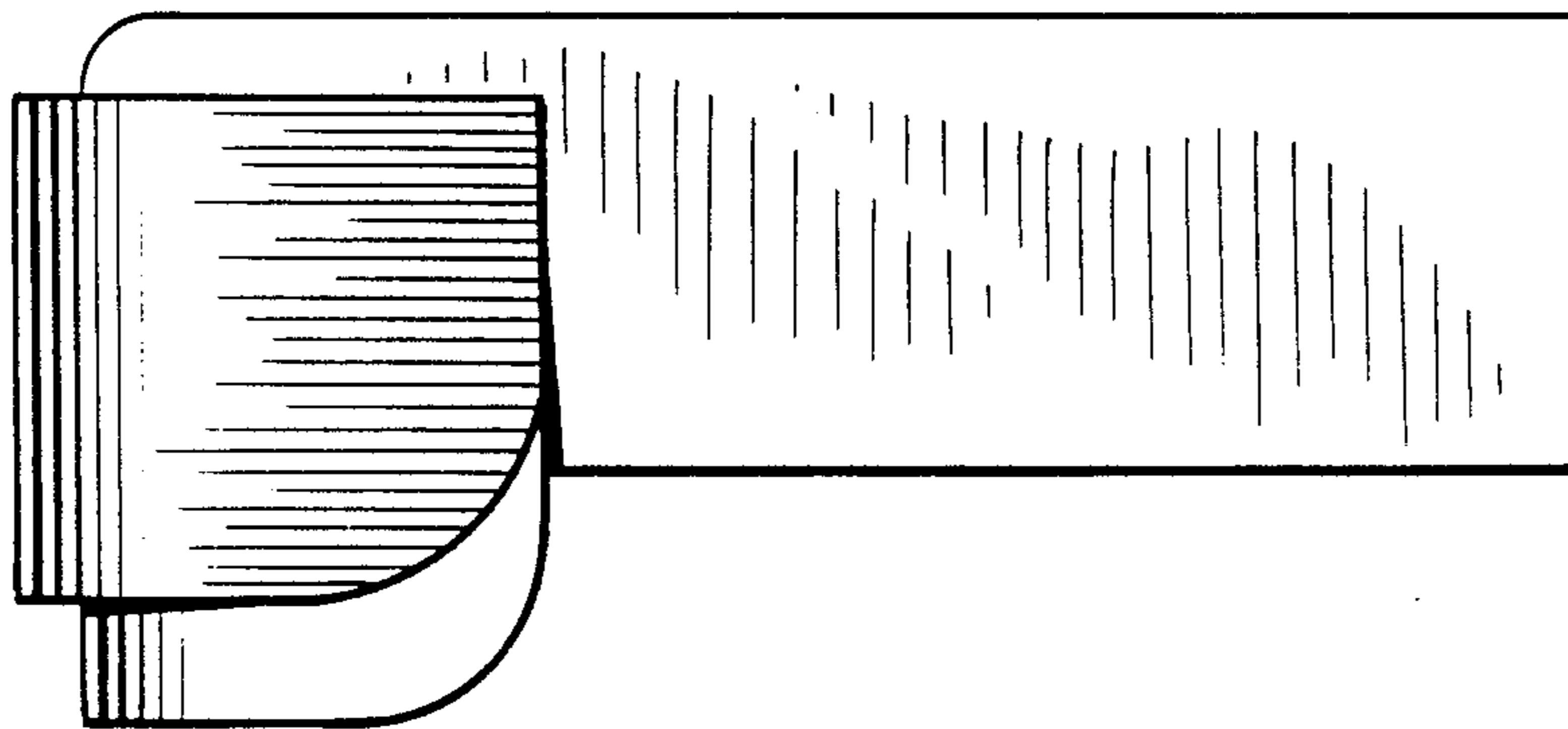


Fig. 5.

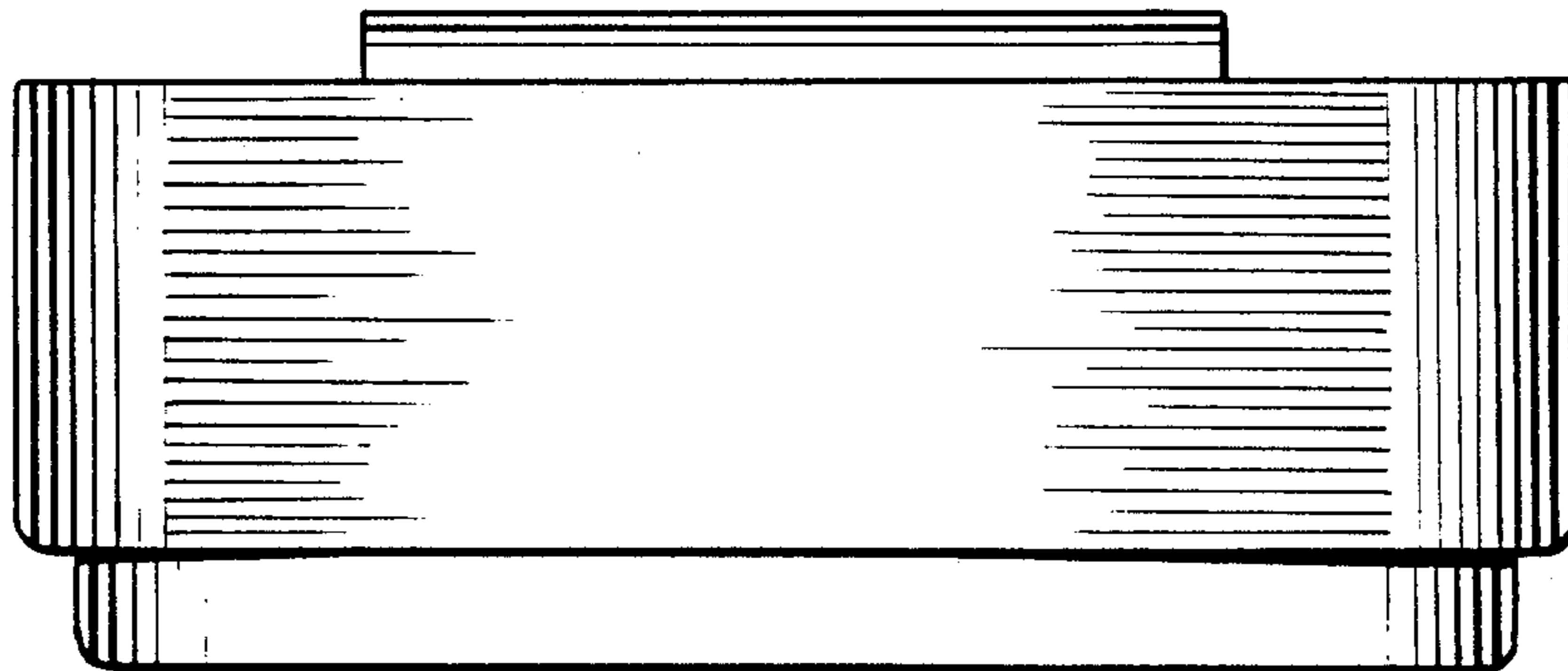


Fig. 6.

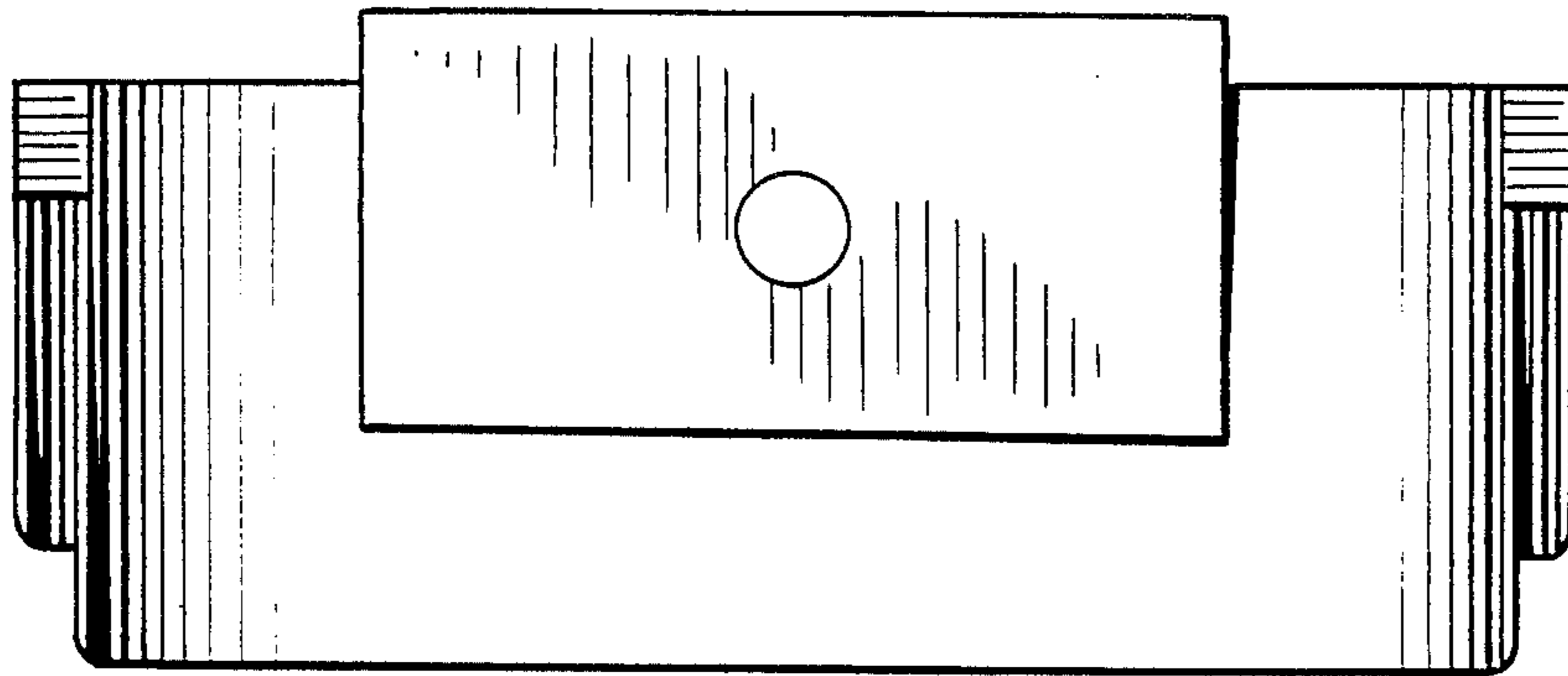


Fig. 7.

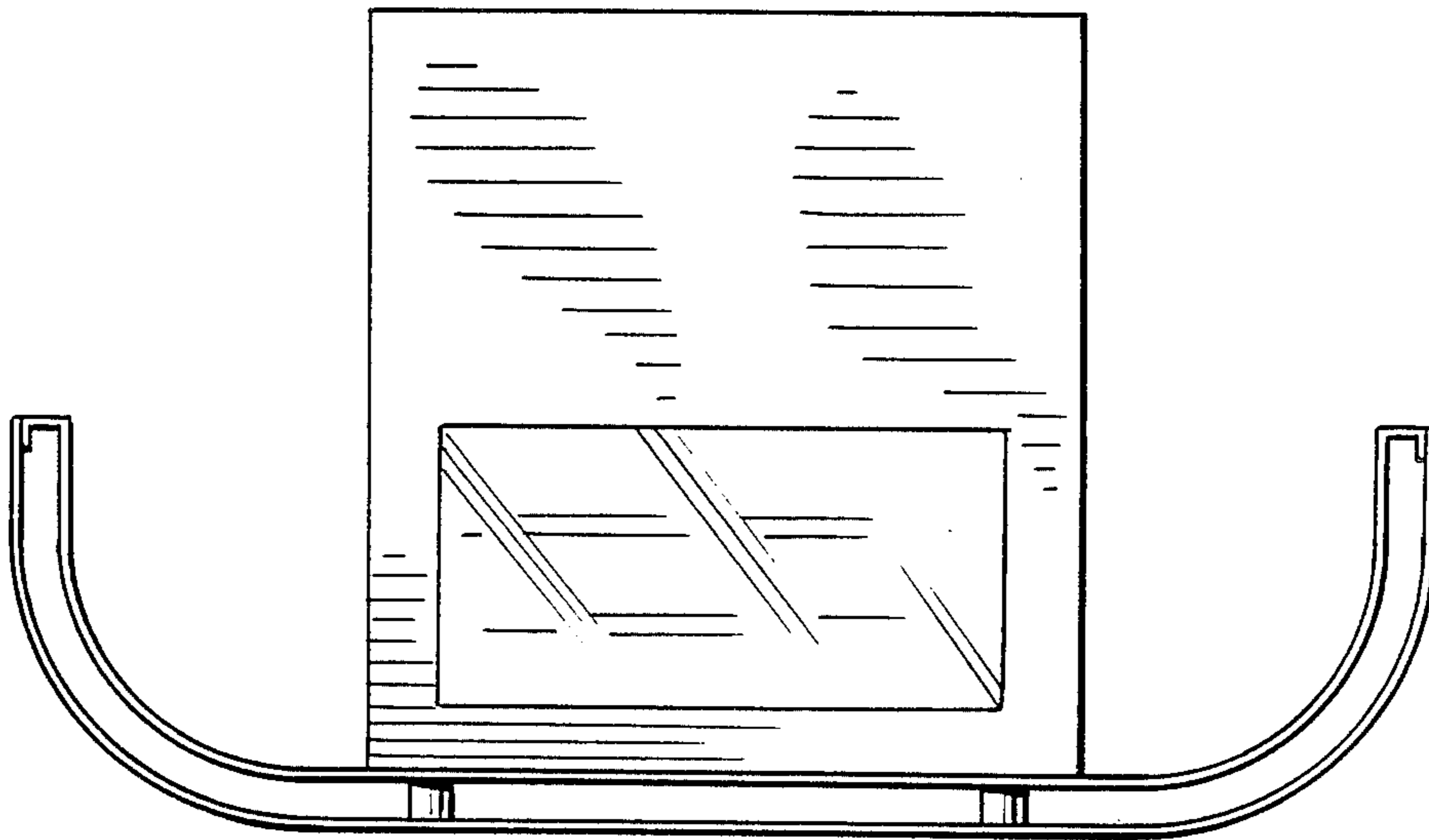


Fig. 8.

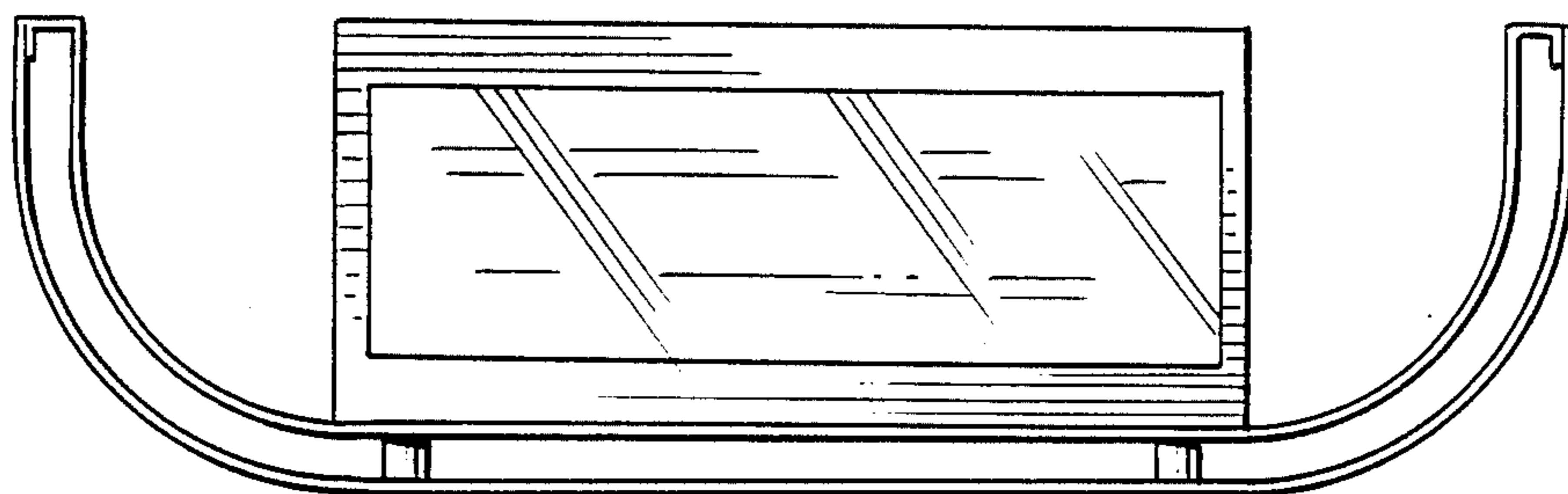


Fig. 9.

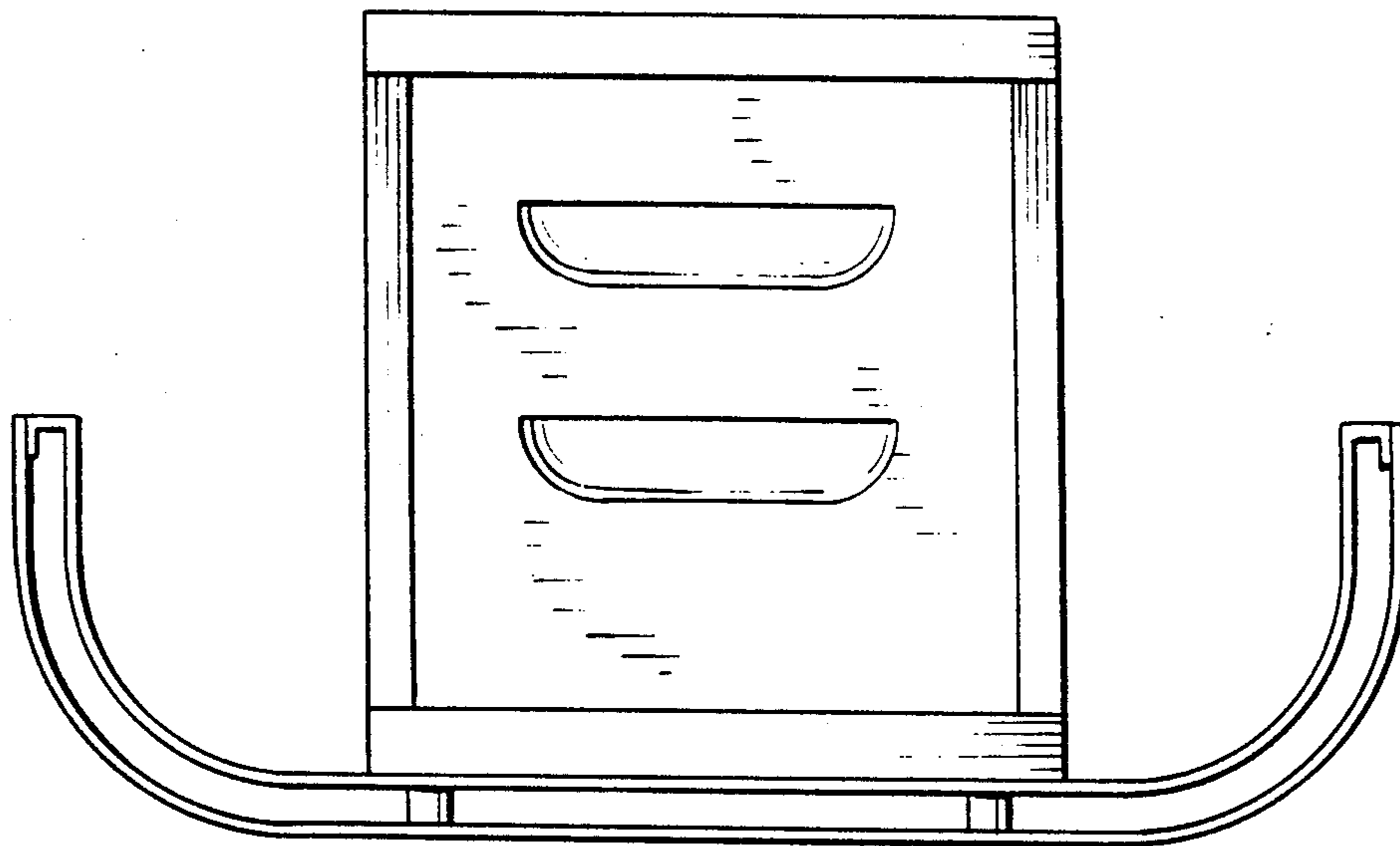


Fig. 10.

