

[54] INDUSTRIAL LUMINAIRE

[76] Inventor: Robert L. Ewing, 1440 Twin Pines Ct., Newark, Ohio 43055

[\*\*] Term: 14 Years

[21] Appl. No.: 698,310

[22] Filed: Feb. 5, 1985

[52] U.S. Cl. .... D26/85

[58] Field of Search ..... D26/72, 73, 74, 80-92,  
D26/68-71; 362/404, 405, 406, 408, 362, 363,  
307, 311

[56] References Cited

U.S. PATENT DOCUMENTS

D. 220,207	3/1971	Edman et al. ....	D26/67
D. 222,103	9/1971	Anderson, Jr. ....	D26/85
4,198,022	4/1980	Pletcher et al. ....	362/431 X
4,425,609	1/1984	Grindle ....	362/362 X

OTHER PUBLICATIONS

Killark Mfg. Co. V.M. Series Fixture catalog, ©1980, p. 18, metal halide, ballasted, 400 watt fixture.  
Light & Lighting, 3-1972, p. 116, fixture #25.  
Sweet's catalog file, ©1984, Sec. 16.6/Hub, Hubbell Energy-Saving Luminaires catalog, p. 3, #6 LV series fixture.

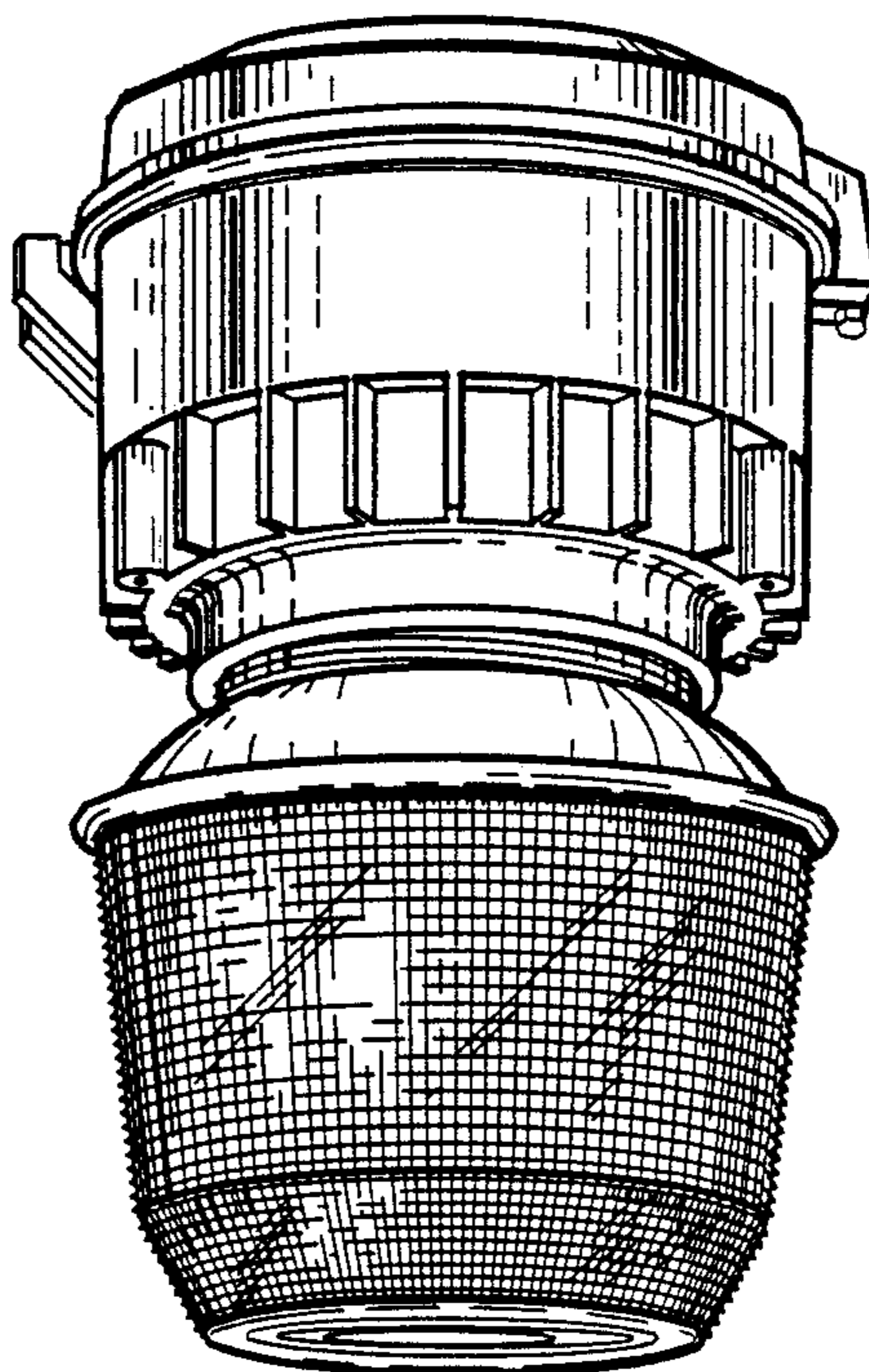
Primary Examiner—Susan J. Lucas  
Attorney, Agent, or Firm—John D. Lister; Cornelius P. Quinn

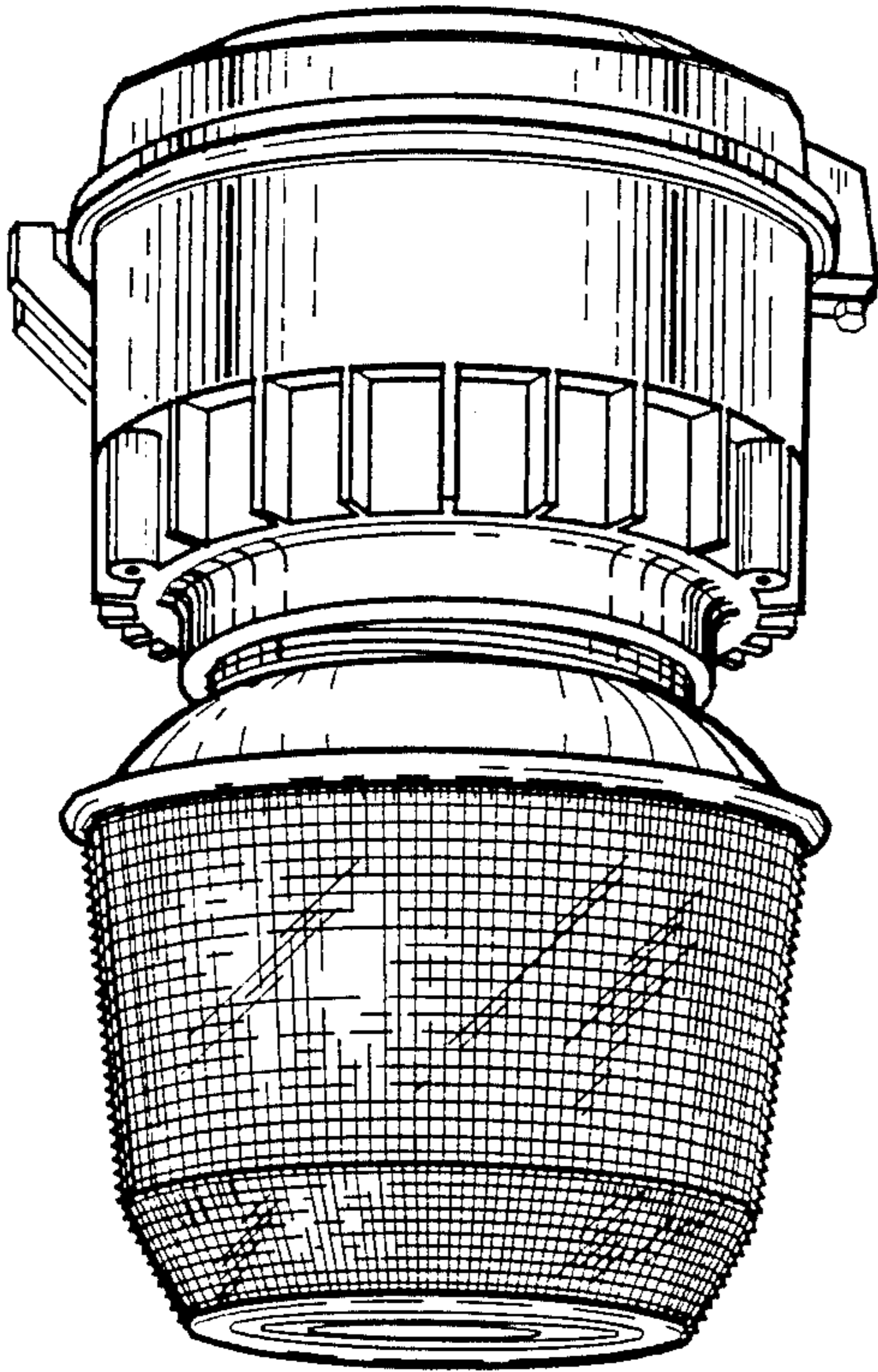
[57] CLAIM

The ornamental design for an industrial luminaire, as shown and described.

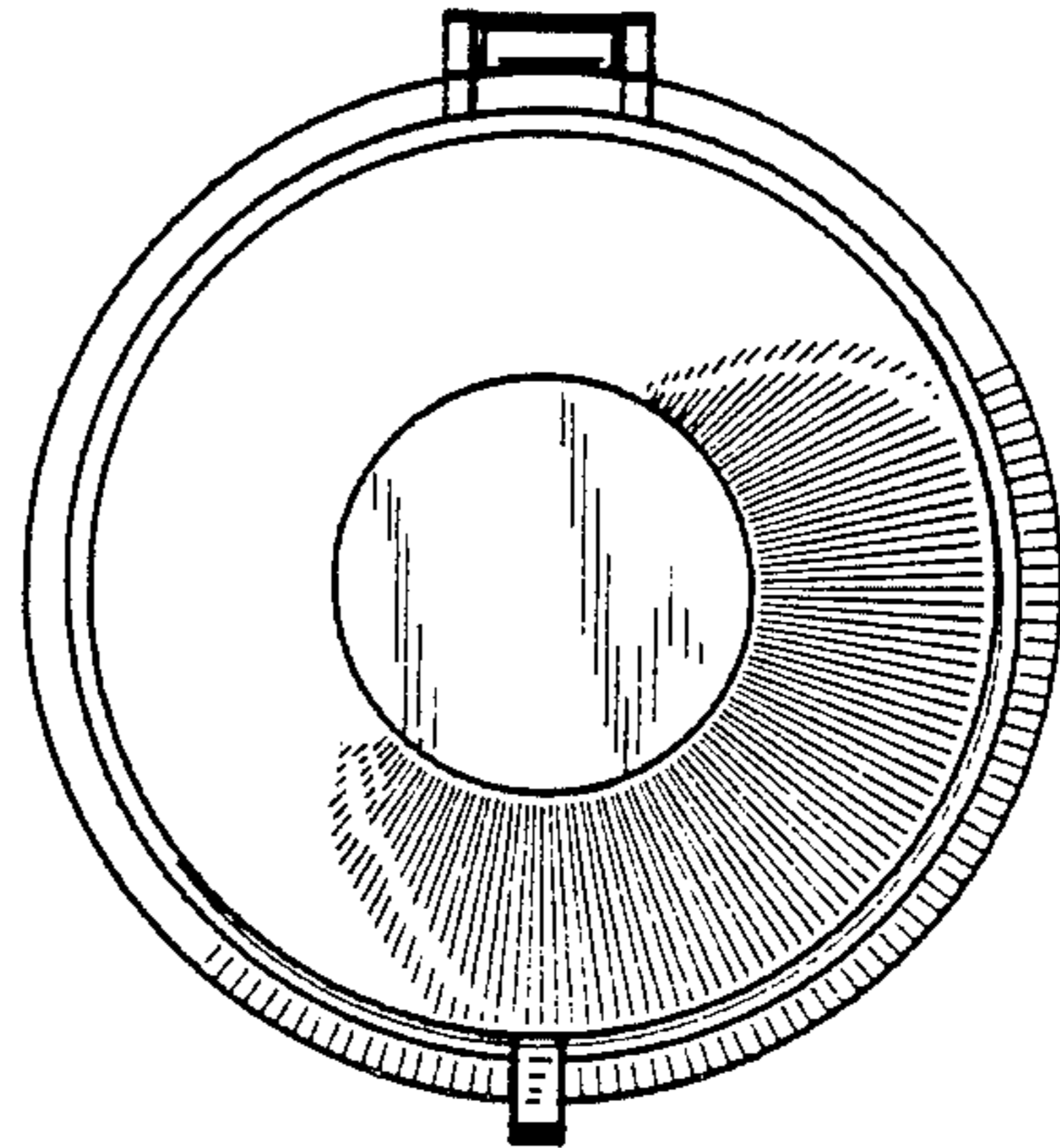
DESCRIPTION

FIG. 1 is a front perspective view of an industrial luminaire showing my new design;  
FIG. 2 is a top plan view thereof on a reduced scale;  
FIG. 3 is a bottom plan view thereof on a reduced scale;  
FIG. 4 is a front elevational view thereof on a reduced scale, the rear being a mirror image;  
FIG. 5 is a left side elevational view thereof;  
FIG. 6 is a right side elevational view thereof.

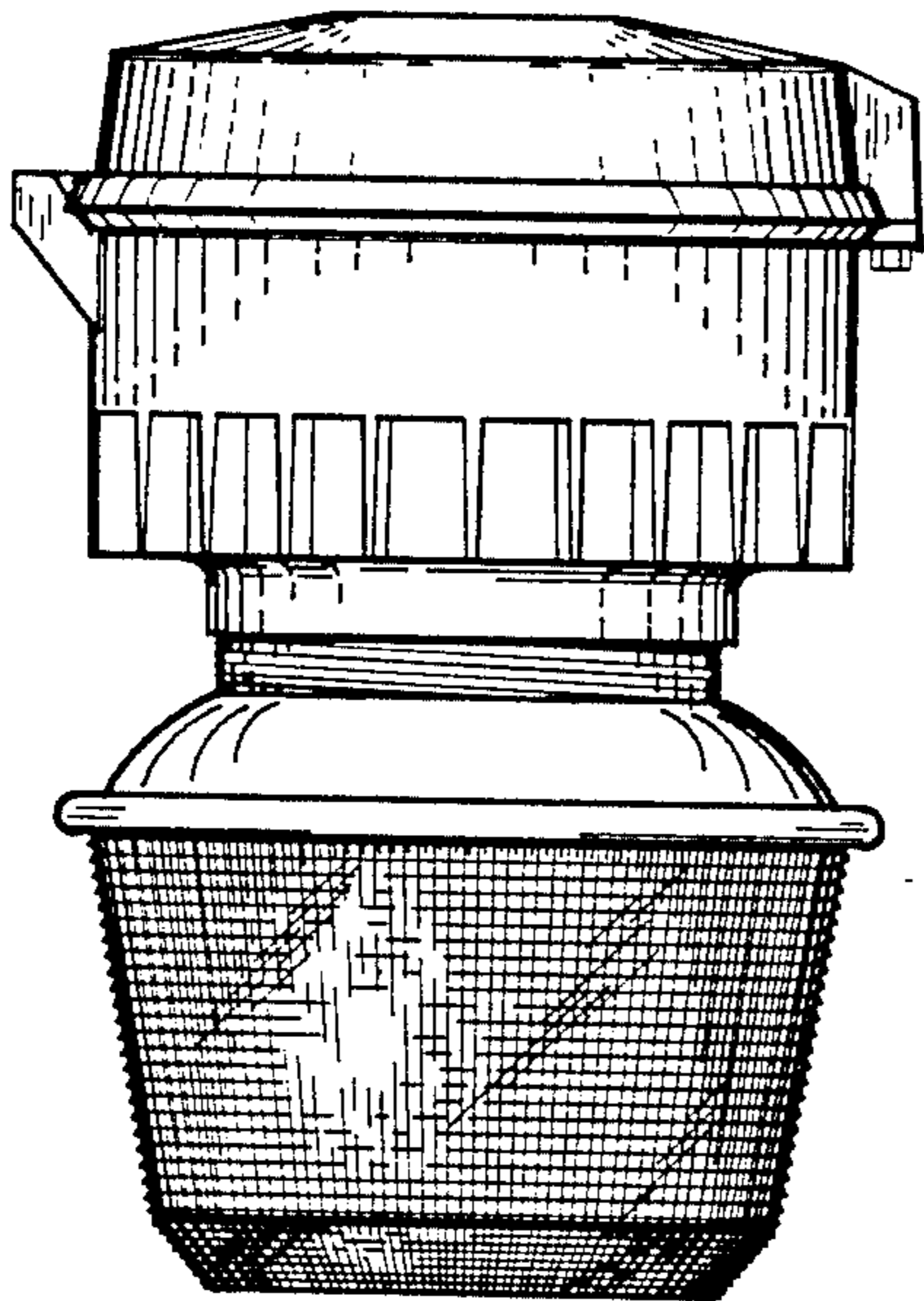




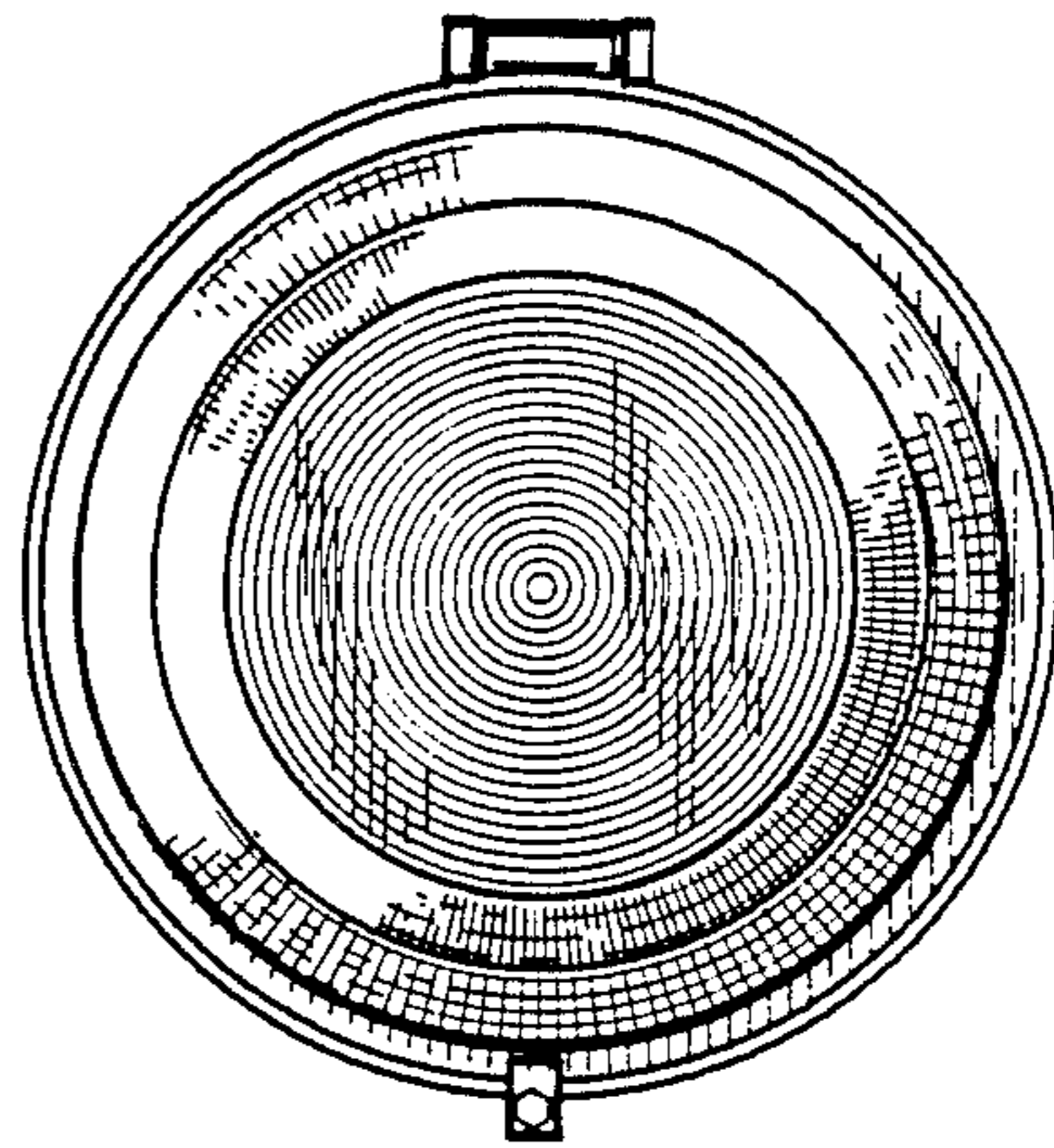
*Fig. 1*



*Fig. 2*

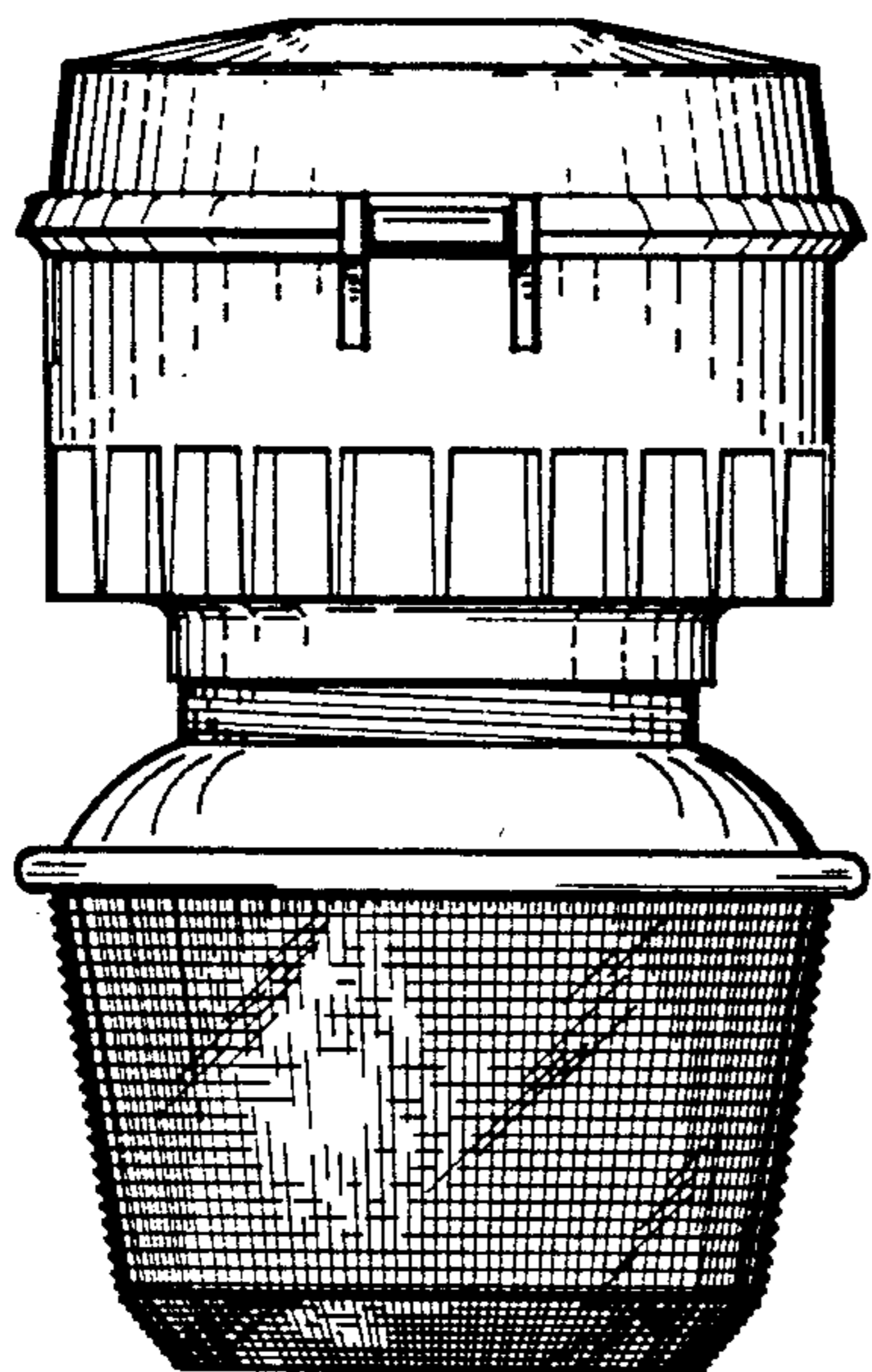


*Fig. 4*

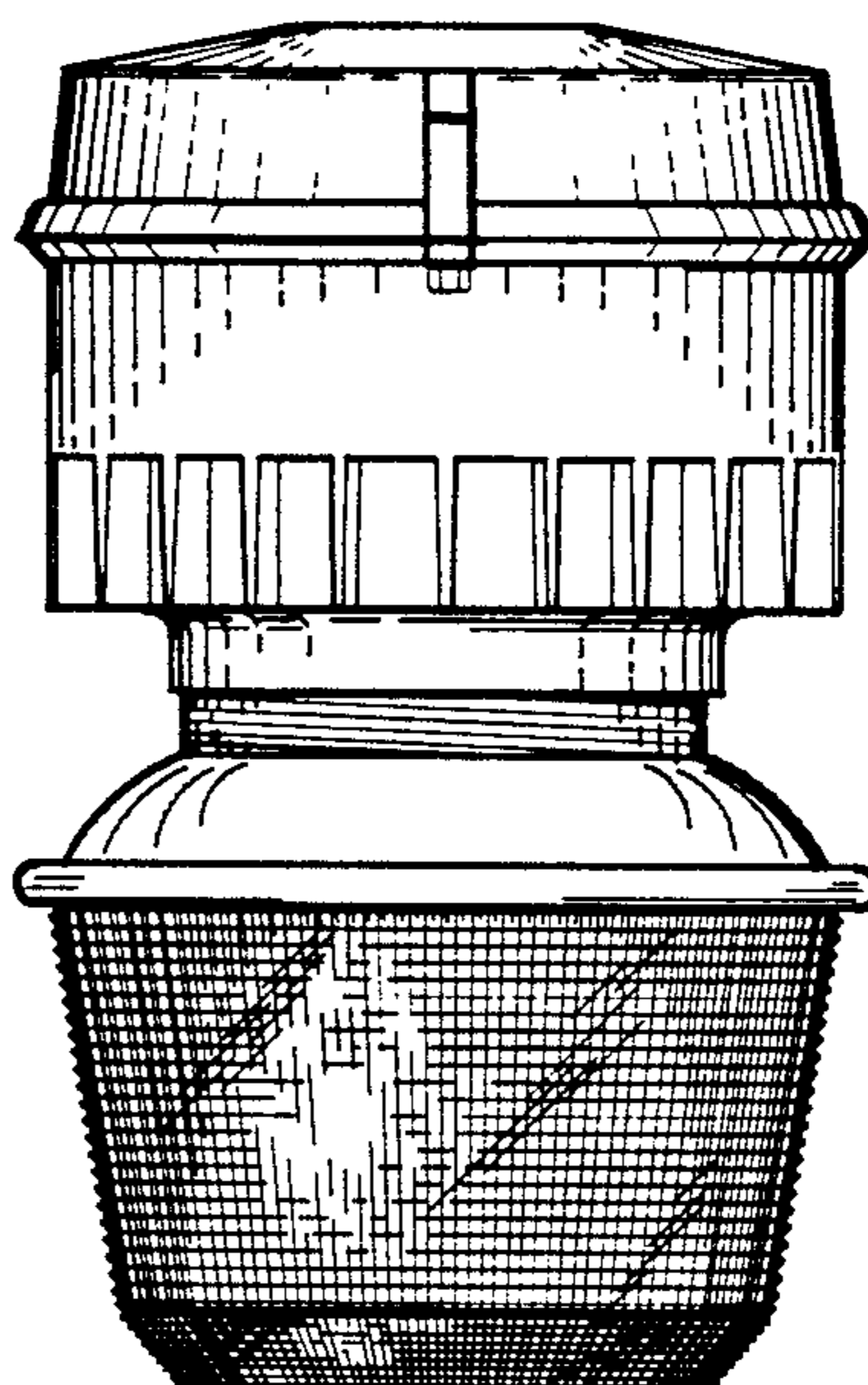


*Fig. 3*





*Fig. 5*



*Fig. 6*