

[54] CONTAINER FOR MICROSCOPE SLIDES

4,589,551 5/1986 Hellon 206/456

[76] Inventor: Gerd Marienfeld, Beim Oelsteg 10,
Bad Mergentheim, Fed. Rep. of
Germany

Primary Examiner—A. Hugo Word
Assistant Examiner—Stella M. Reid
Attorney, Agent, or Firm—Fleit, Jacobson, Cohn & Price

[**] Term: 14 Years

[57] CLAIM

[21] Appl. No.: 680,560

The ornamental design for a container for microscope slides, as shown.

[22] Filed: Dec. 11, 1984

[52] U.S. Cl. D24/31; D24/56

[58] Field of Search D24/31, 29, 8, 56;
356/244, 246; 350/529, 536, 534; 206/456, 564,
215.31, 45.34; 435/310

DESCRIPTION

[56] References Cited

U.S. PATENT DOCUMENTS

2,633,980	4/1953	Jorgensen	206/456
2,761,557	9/1956	McLean, Jr.	206/456
2,998,879	9/1961	Snyder, Jr.	206/456
3,141,547	7/1964	Newby	206/456 X
3,409,062	11/1968	Vilanova	206/45.34

FIG. 1 is a top plan view of a container for microscope slides showing my new design;
FIG. 2 is a bottom plan view thereof;
FIG. 3 is a front elevational view thereof;
FIG. 4 is a side elevational view thereof;
FIG. 5 is a top perspective view thereof;
FIG. 6 is a bottom perspective view thereof;
FIG. 7 is a top perspective view thereof, with colored plastic tape; and,
FIG. 8 is a top perspective view of the colored plastic tape in folded position.

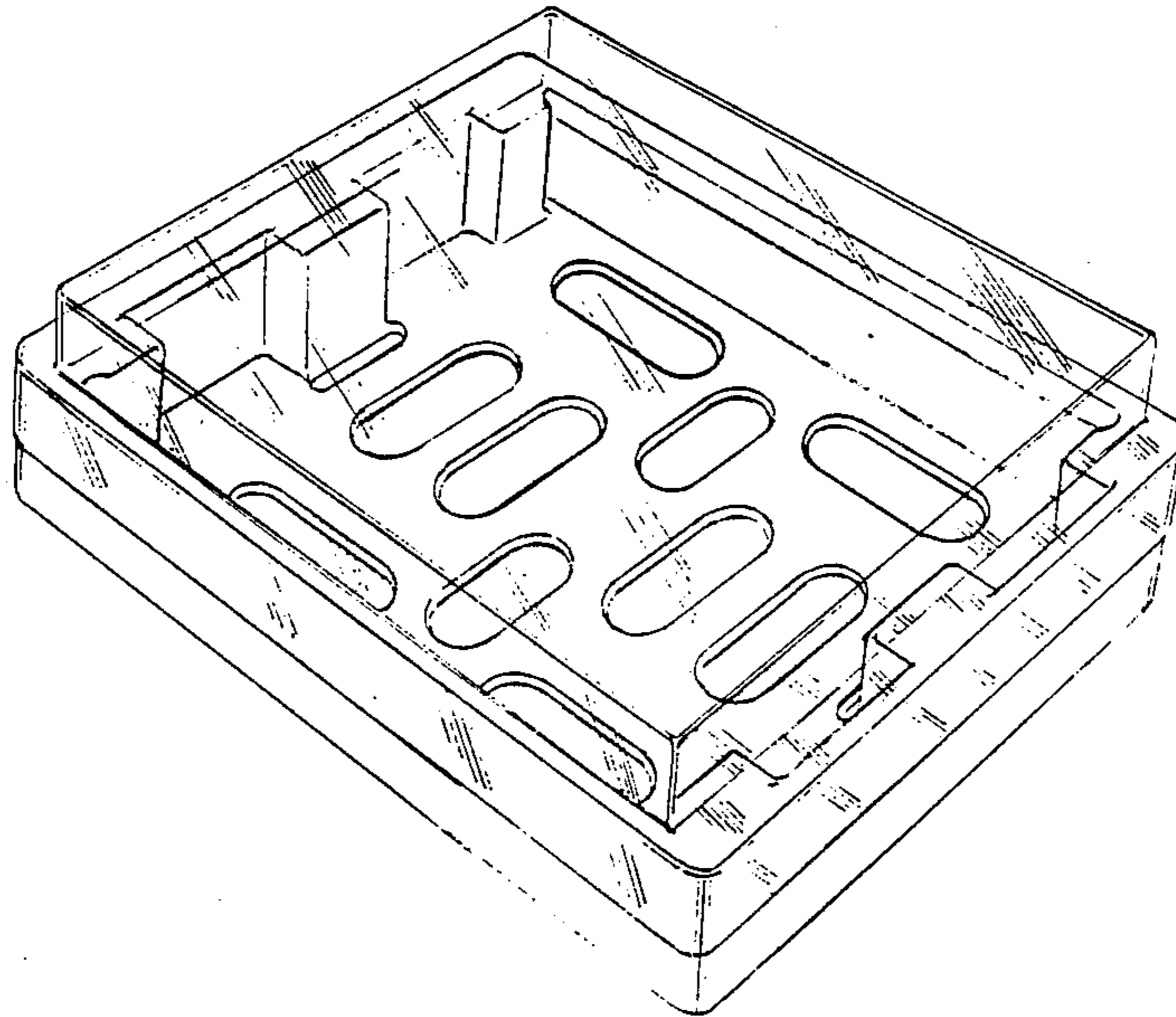


FIG. 1

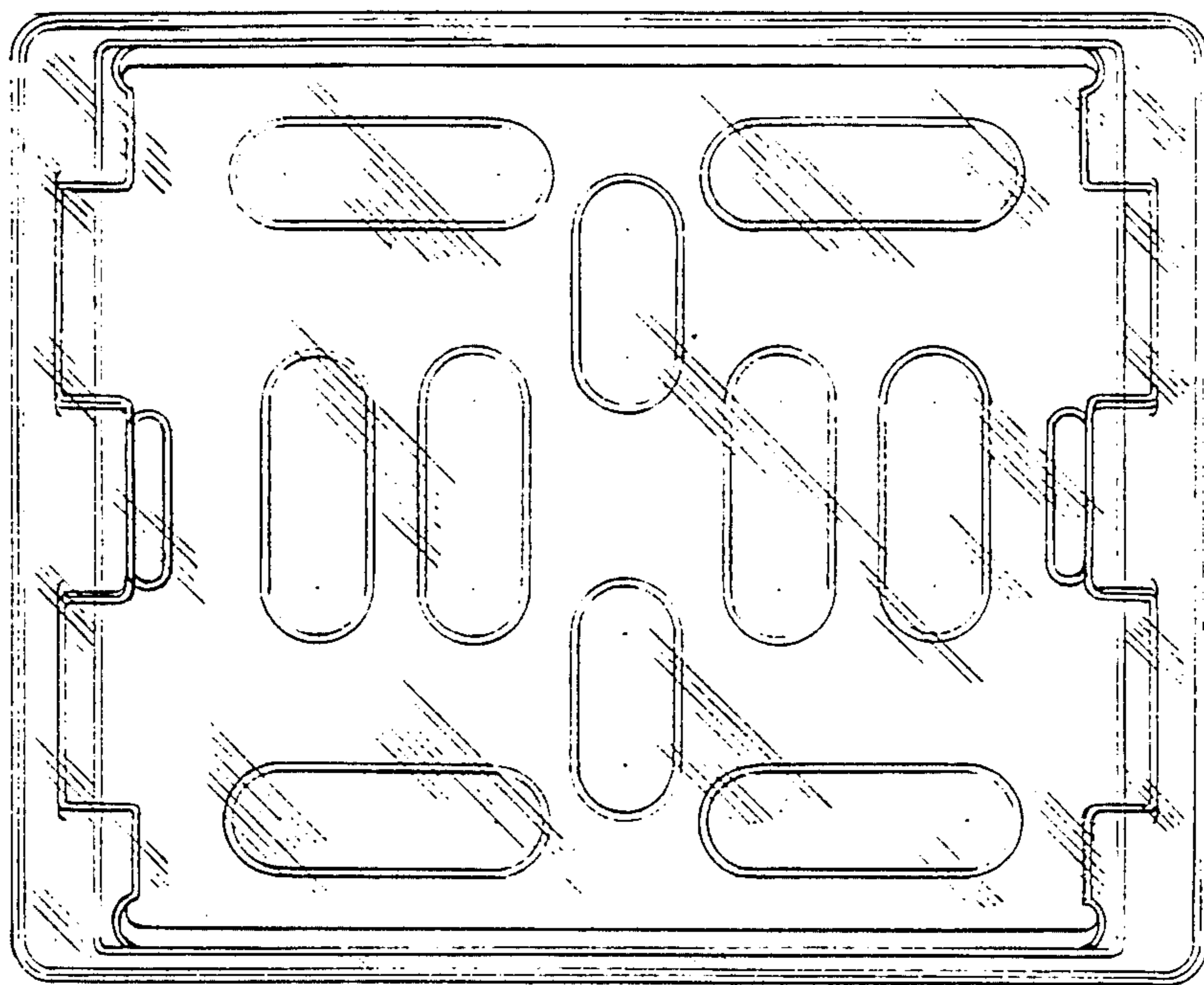


FIG. 2

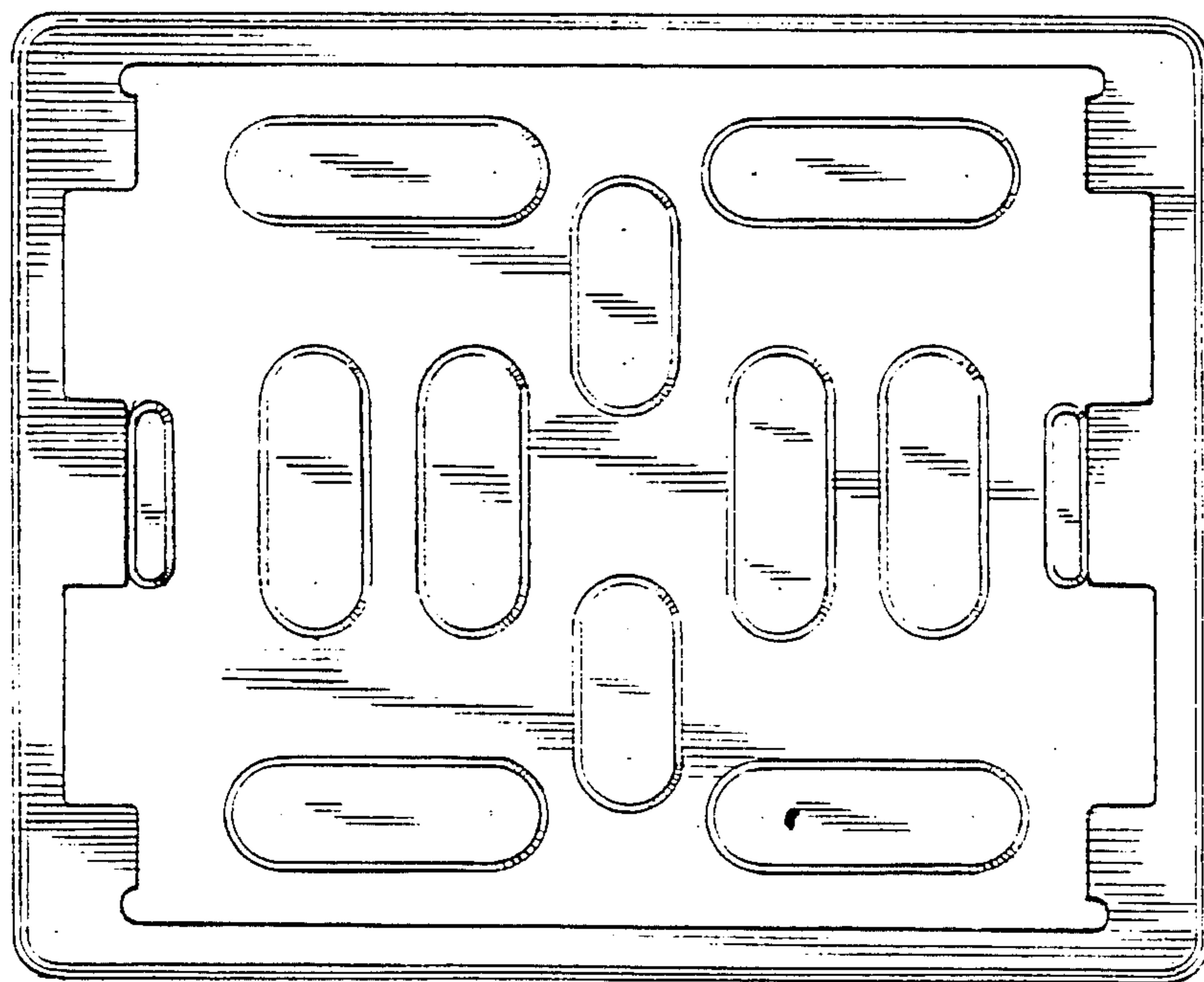


FIG. 3

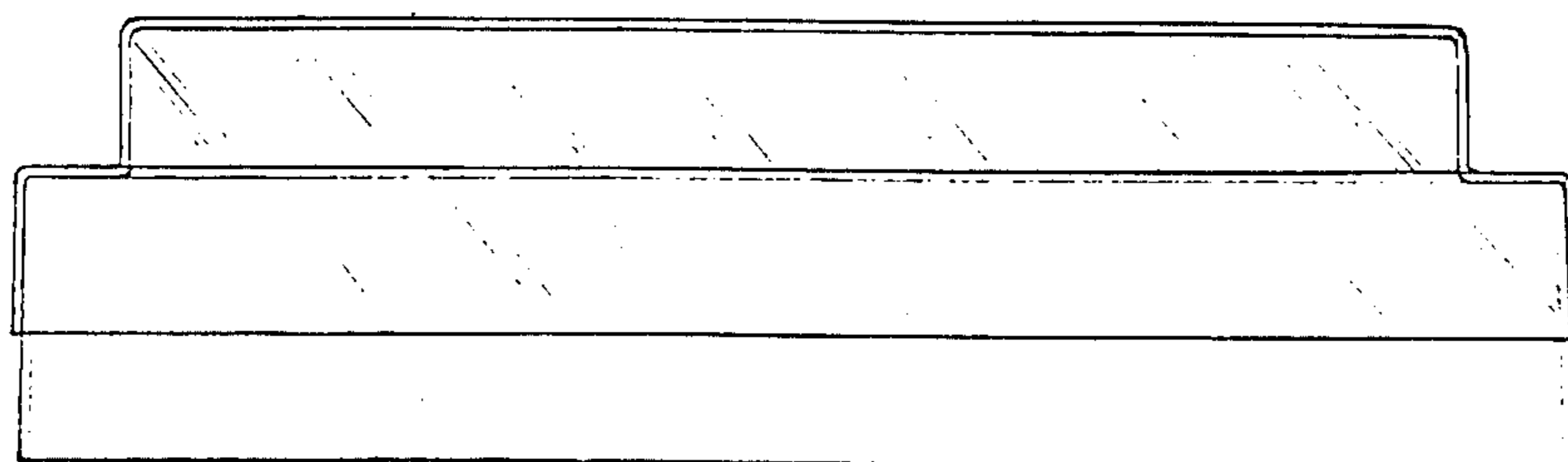


FIG. 4

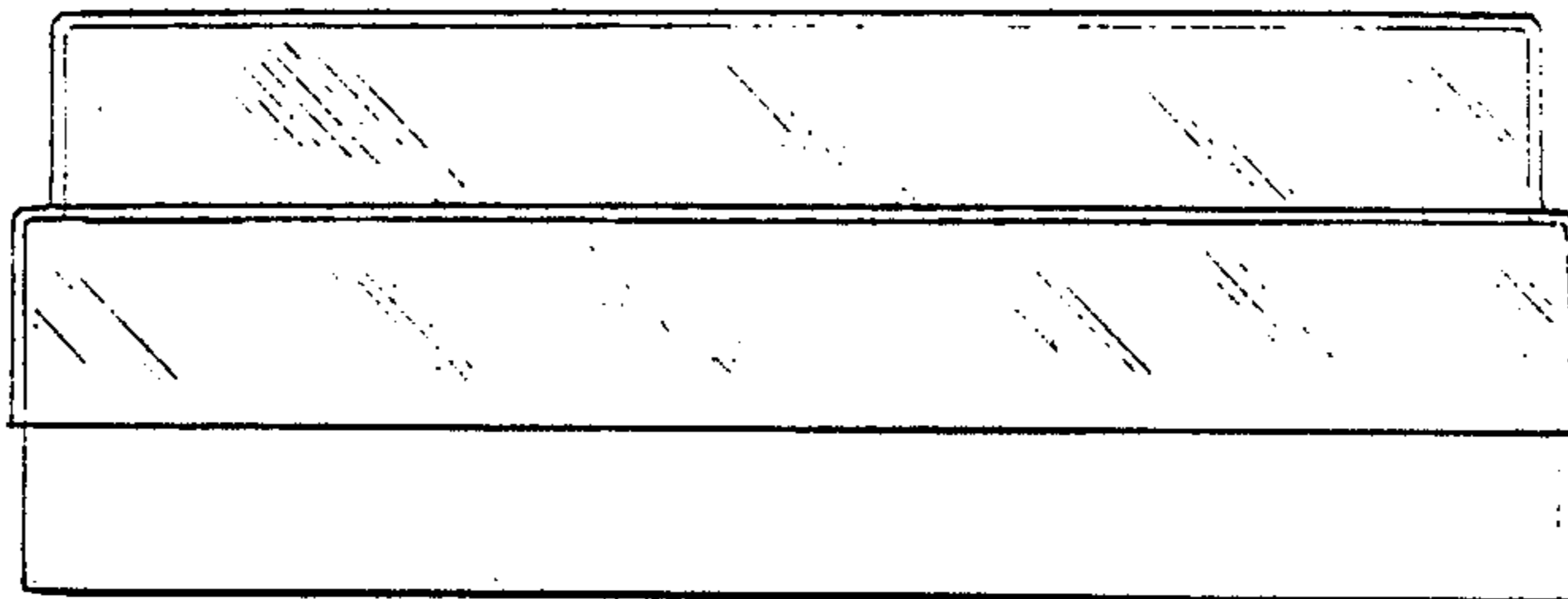


FIG. 5

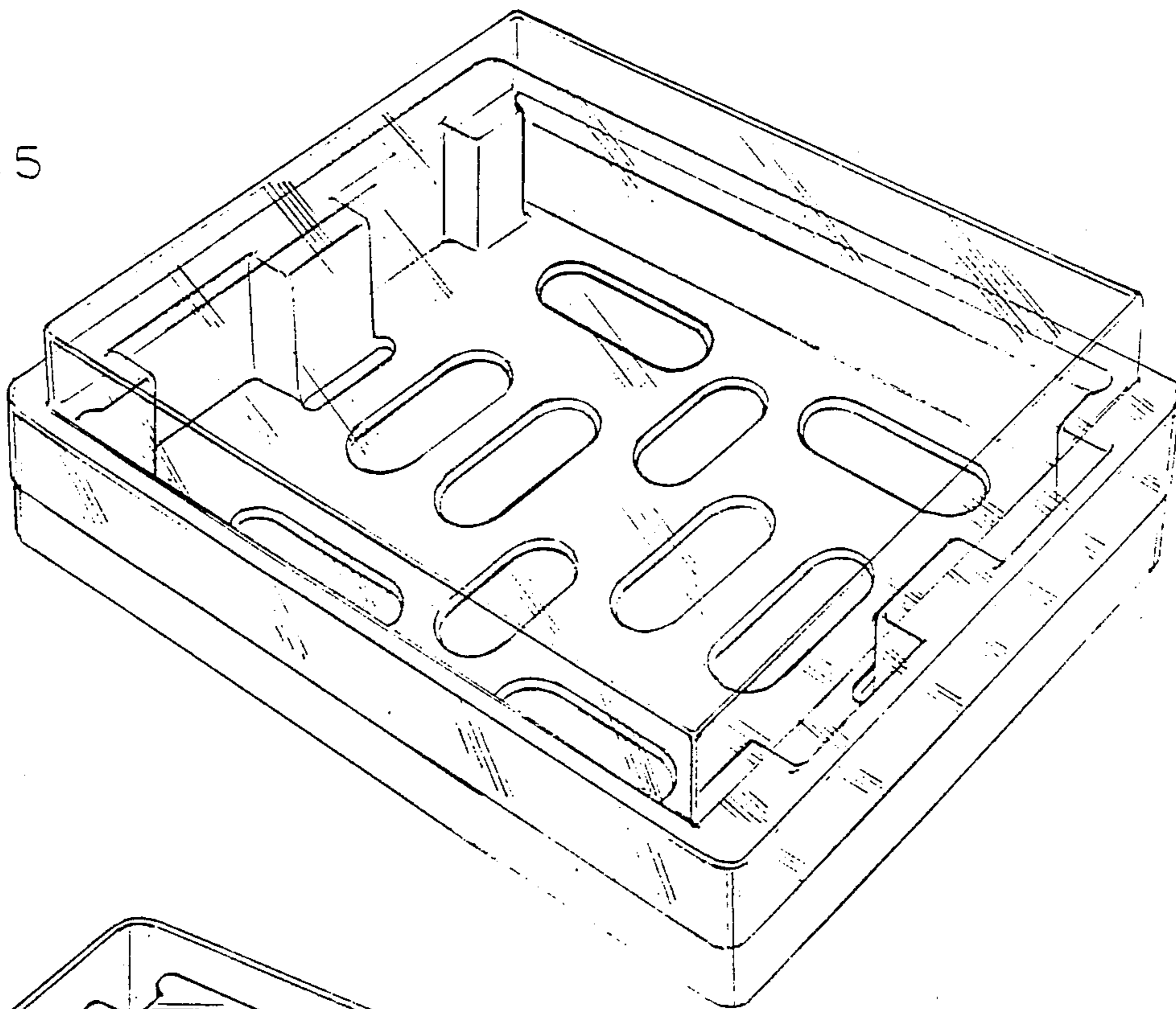


FIG. 6

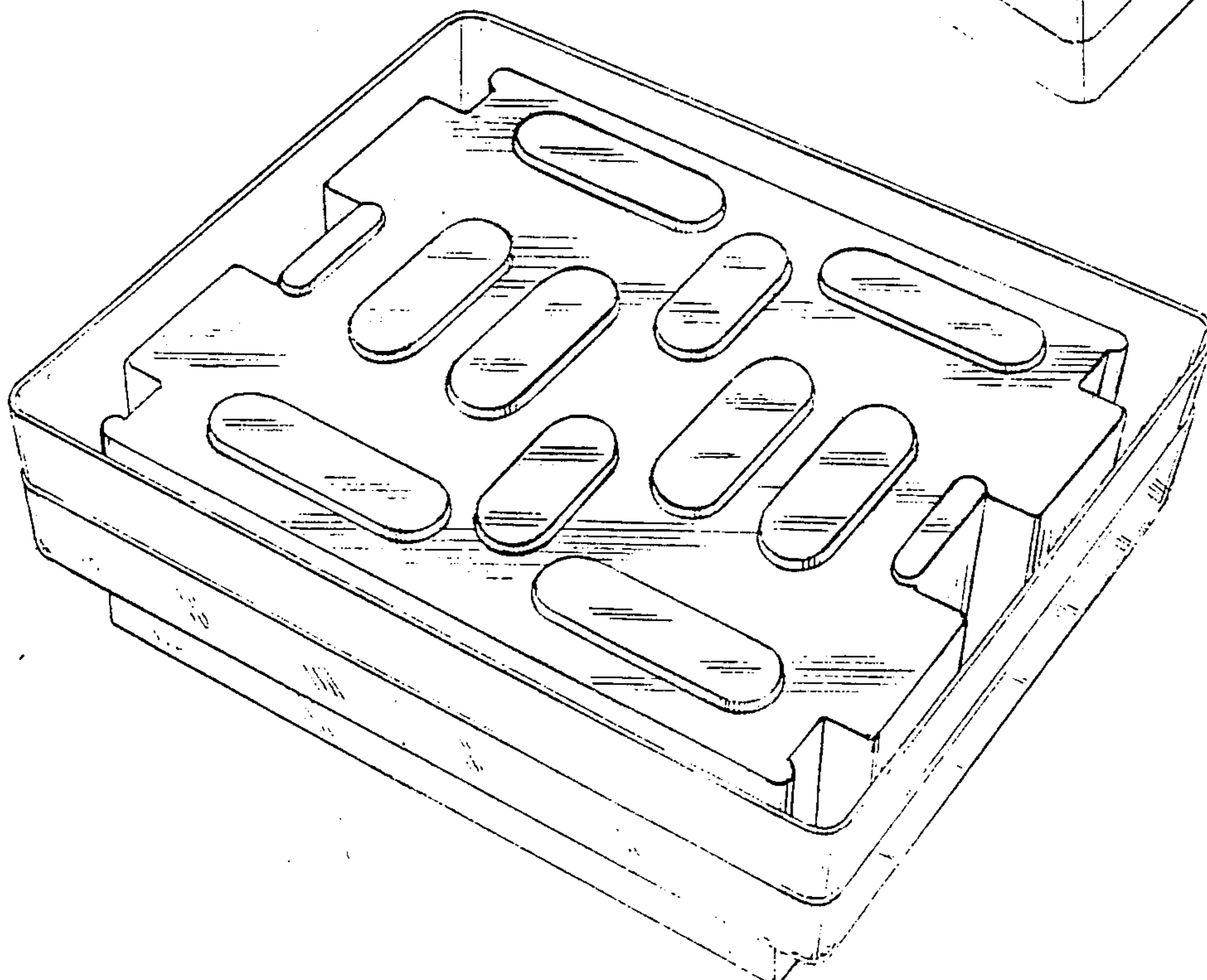


FIG. 7

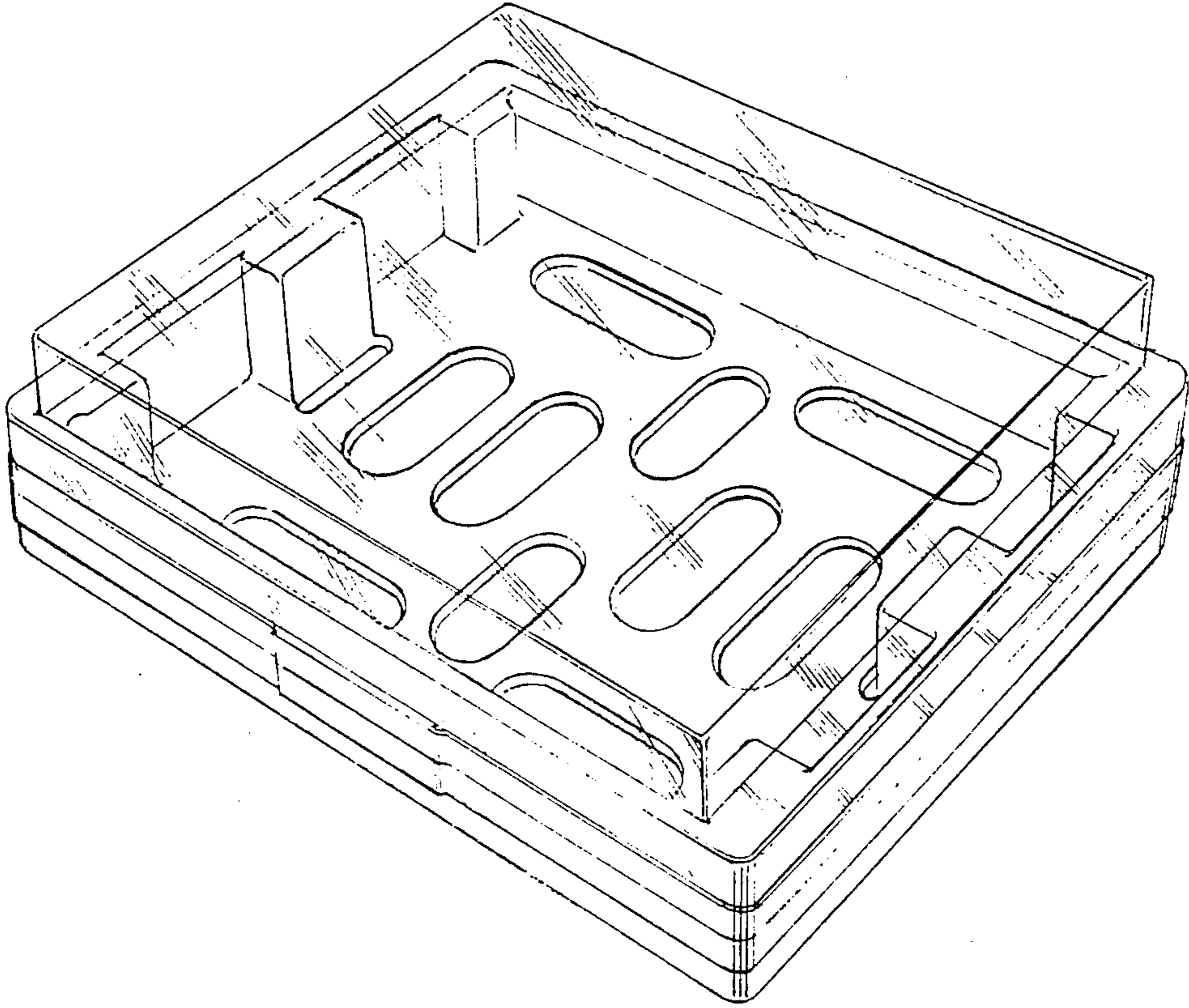


FIG. 8

